



US00D454607S

(12) **United States Design Patent**
Cuti

(10) **Patent No.:** **US D454,607 S**

(45) **Date of Patent:** **** Mar. 19, 2002**

(54) **TENNIS BALL RETRIEVER AND
MULTI-PURPOSE TENNIS BALL HOPPER**

5,464,262 A * 11/1995 Madrazo 294/19.2
D366,143 S * 1/1996 Guzman D3/221
5,860,658 A * 1/1999 Callahan 280/30

(76) **Inventor:** **Philip M Cuti**, 6874 Sedgewick Ct., Ft.
Myers, FL (US) 33919

* cited by examiner

(**) **Term:** **14 Years**

Primary Examiner—Dominic Simone

(74) *Attorney, Agent, or Firm*—Frank A. Lukasik

(21) **Appl. No.:** **29/136,530**

(57) **CLAIM**

(22) **Filed:** **Feb. 2, 2001**

The ornamental design for a tennis ball retriever and multi-
purpose tennis ball hopper, as shown and described.

(51) **LOC (7) Cl.** **21-02**

(52) **U.S. Cl.** **D21/799; D21/698; D21/721**

DESCRIPTION

(58) **Field of Search** D21/698, 799,
D21/721; D3/221; 294/19.2; 280/30

FIG. 1. is a top perspective front view of a tennis ball
retriever and multi-purpose tennis ball hopper showing my
new design in an opened position.

(56) **References Cited**

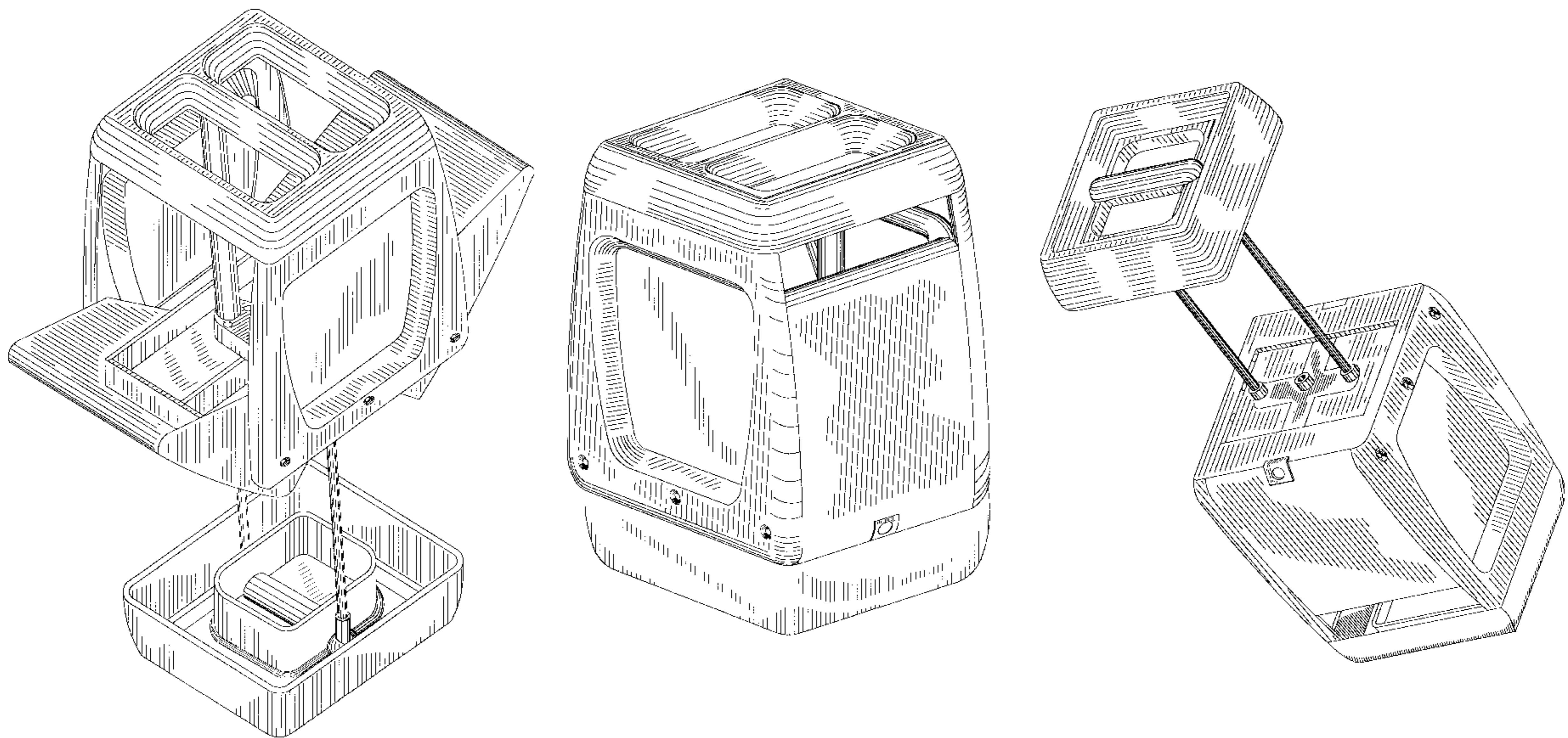
FIG. 2. is a side perspective view showing my new design
in a closed position; and,

U.S. PATENT DOCUMENTS

3,820,836 A * 6/1974 Seewagen et al. 294/19.2
D253,018 S * 10/1979 Robley D3/224
D254,580 S * 4/1980 Robley D3/224
5,294,161 A * 3/1994 Stap 294/19.2

FIG. 3. is a top perspective view showing my new design in
a tennis ball retriever position.

1 Claim, 3 Drawing Sheets



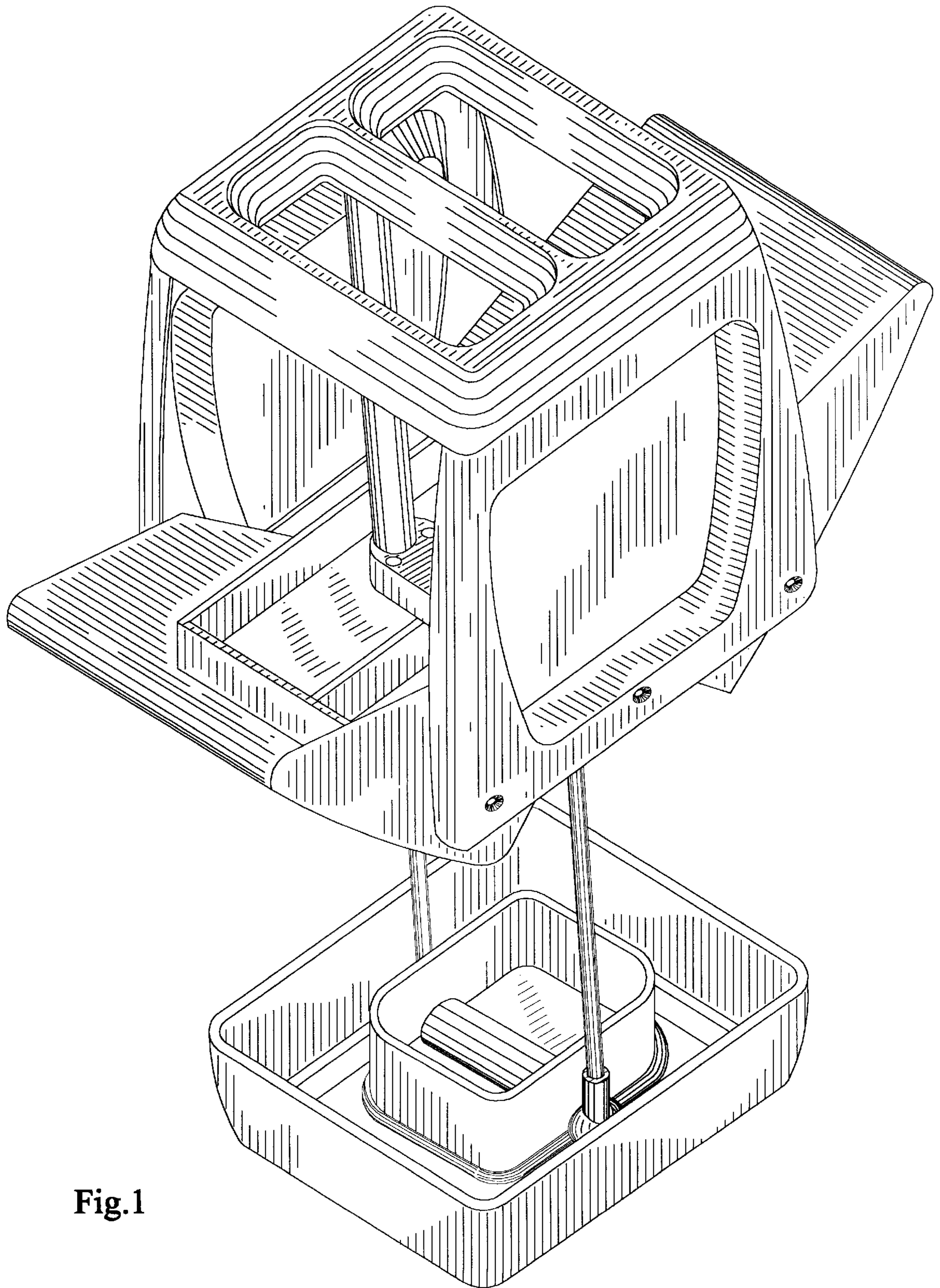


Fig.1

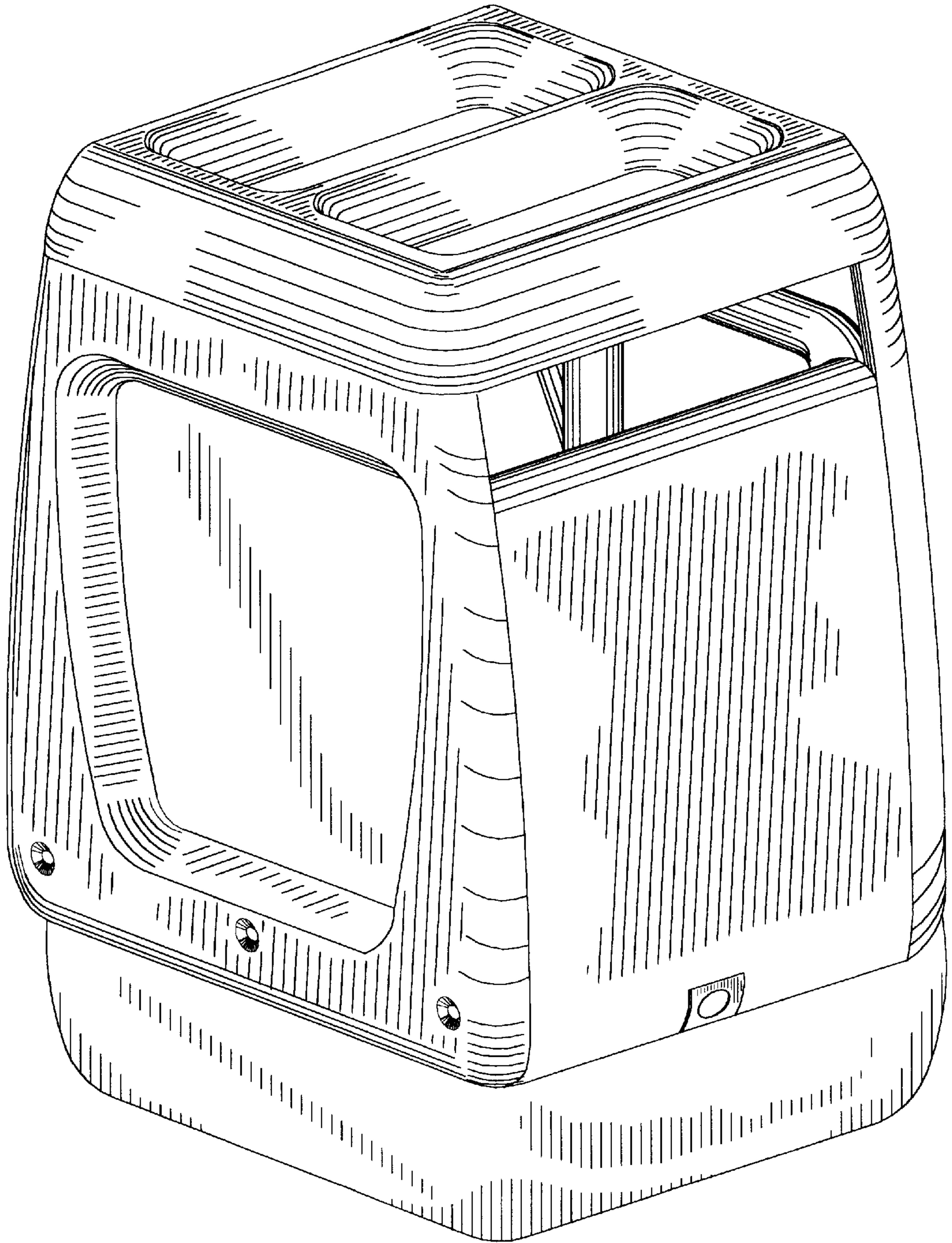


Fig.2

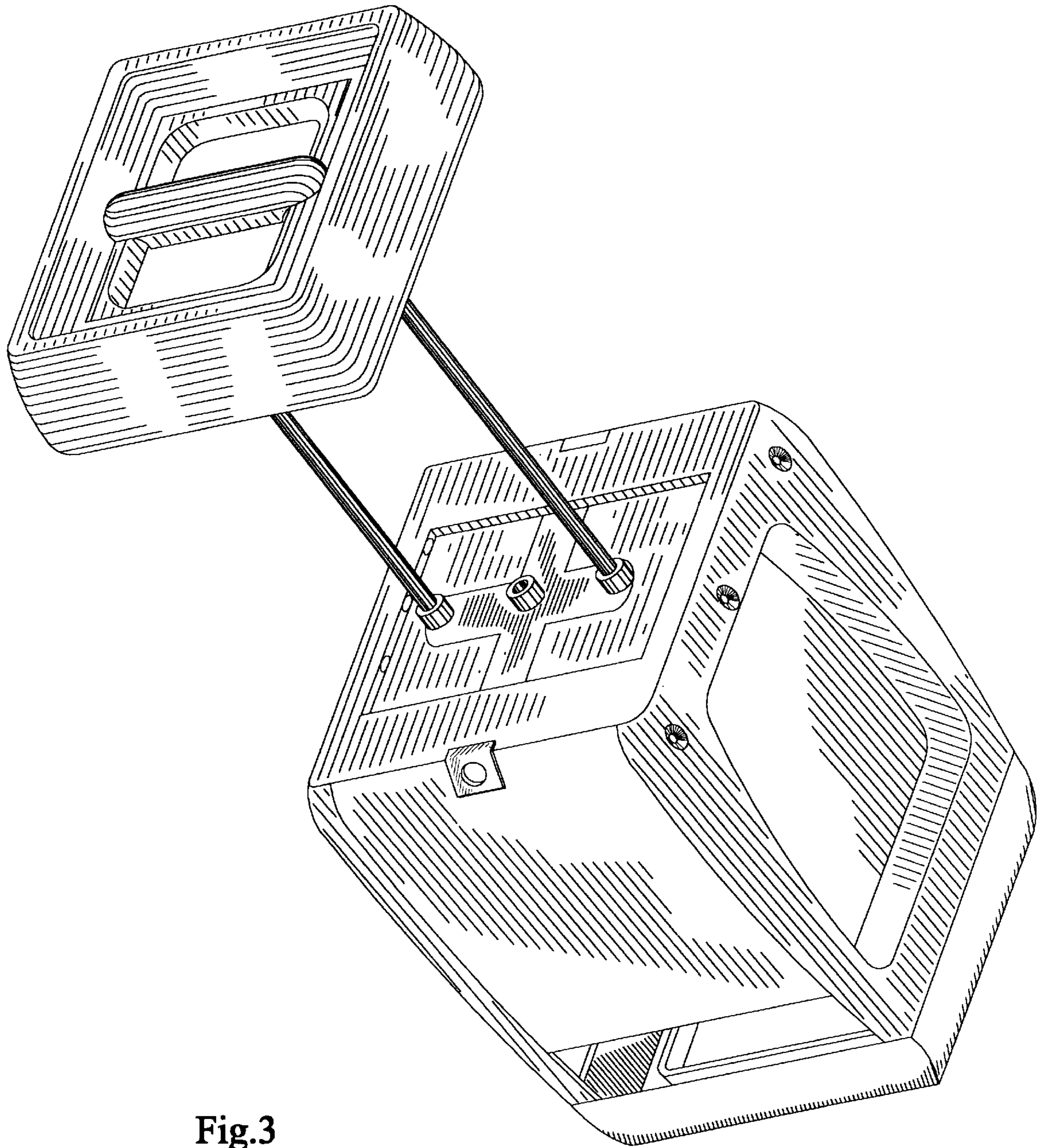


Fig.3