



US00D454605S

(12) **United States Design Patent**  
**Lee**

(10) **Patent No.:** **US D454,605 S**

(45) **Date of Patent:** **\*\* Mar. 19, 2002**

(54) **FRAME GUARD FOR AN EXERCISER**

(76) Inventor: **Kuo-Lung Lee**, No. 61, Mai Jou II Rd.,  
Yi Lan City (TW)

(\*\*) Term: **14 Years**

(21) Appl. No.: **29/140,040**

(22) Filed: **Apr. 12, 2001**

(51) **LOC (7) Cl.** ..... **21-02**

(52) **U.S. Cl.** ..... **D21/697; D21/694**

(58) **Field of Search** ..... D21/662, 663,  
D21/668, 669, 670, 694, 697; 482/51, 52,  
53, 57, 70, 71

(56) **References Cited**

**U.S. PATENT DOCUMENTS**

D372,282 S	*	7/1996	Pasero et al.	.....	D21/670
D388,847 S	*	1/1998	Whan-Tong et al.	.....	D21/670
5,776,036 A	*	7/1998	Chen	.....	482/52
5,823,914 A	*	10/1998	Chen	.....	482/51
D405,852 S	*	2/1999	McBride	.....	D21/670
D410,978 S	*	6/1999	Littrell et al.	.....	D21/668
6,007,462 A	*	12/1999	Chen	.....	482/57
6,063,008 A	*	5/2000	McBride et al.	.....	482/52
D438,580 S	*	3/2001	Shaw	.....	D21/697

D438,581 S \* 3/2001 Shaw ..... D21/697

D438,919 S \* 3/2001 Shaw ..... D21/697

D446,266 S \* 8/2001 Lin ..... D21/697

\* cited by examiner

*Primary Examiner*—Philip S. Hyder

(74) *Attorney, Agent, or Firm*—Varndell & Varndell, PLLC

(57) **CLAIM**

The ornamental design for a frame guard for an exerciser, as shown and described.

**DESCRIPTION**

FIG. 1 is a perspective view of a frame guard for an exerciser showing my new design;

FIG. 2 is a front elevational view thereof;

FIG. 3 is a rear elevational view thereof;

FIG. 4 is a top plan view thereof;

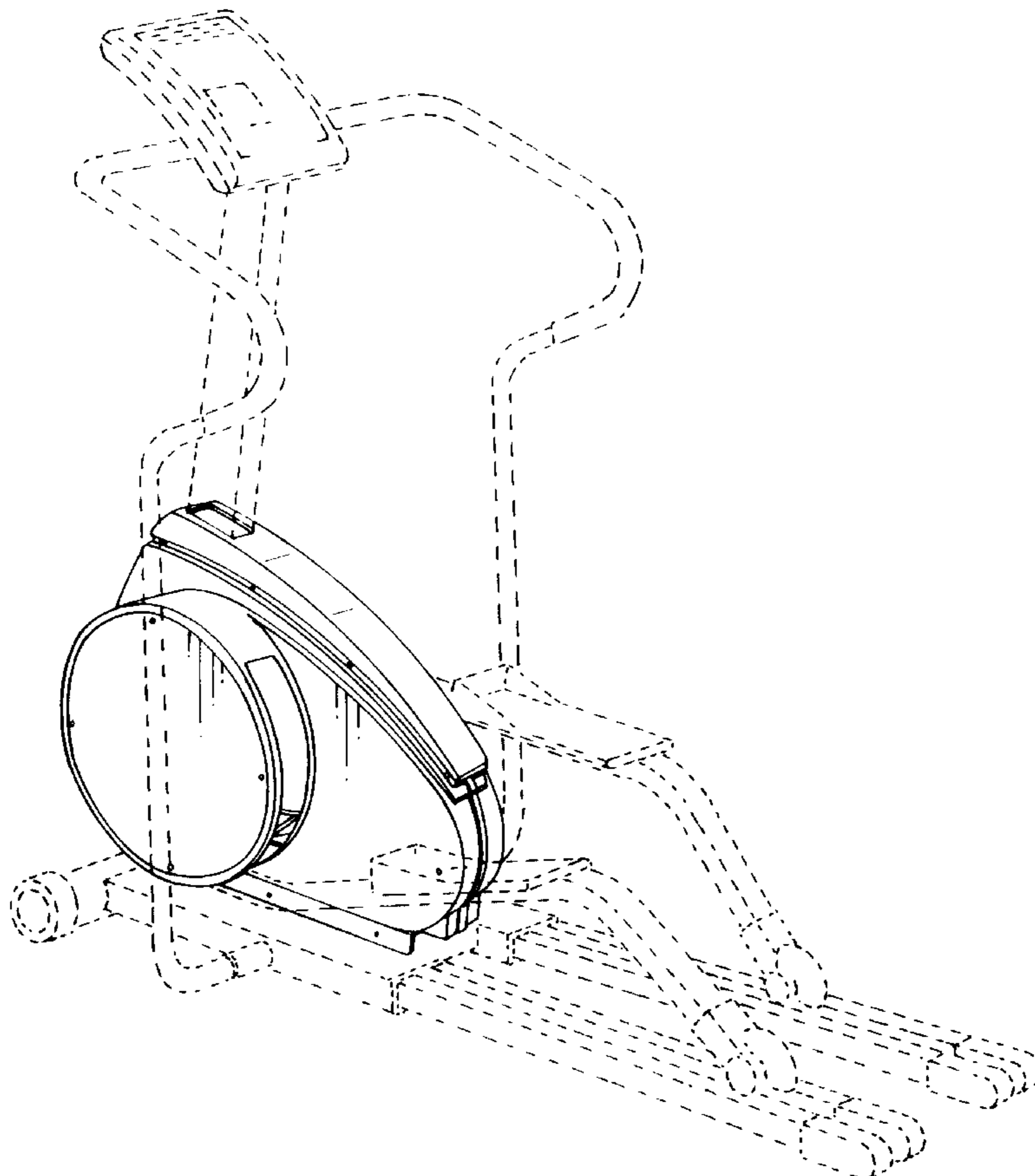
FIG. 5 is a bottom plan view thereof;

FIG. 6 is a side elevational view thereof, the opposite side being a mirror image of that shown;

FIG. 7 is another perspective view of the design; and,

FIG. 8 is a perspective view thereof, wherein the broken line showing of the exerciser structure is for illustrative purposes only and forms no part of the claimed design.

**1 Claim, 8 Drawing Sheets**



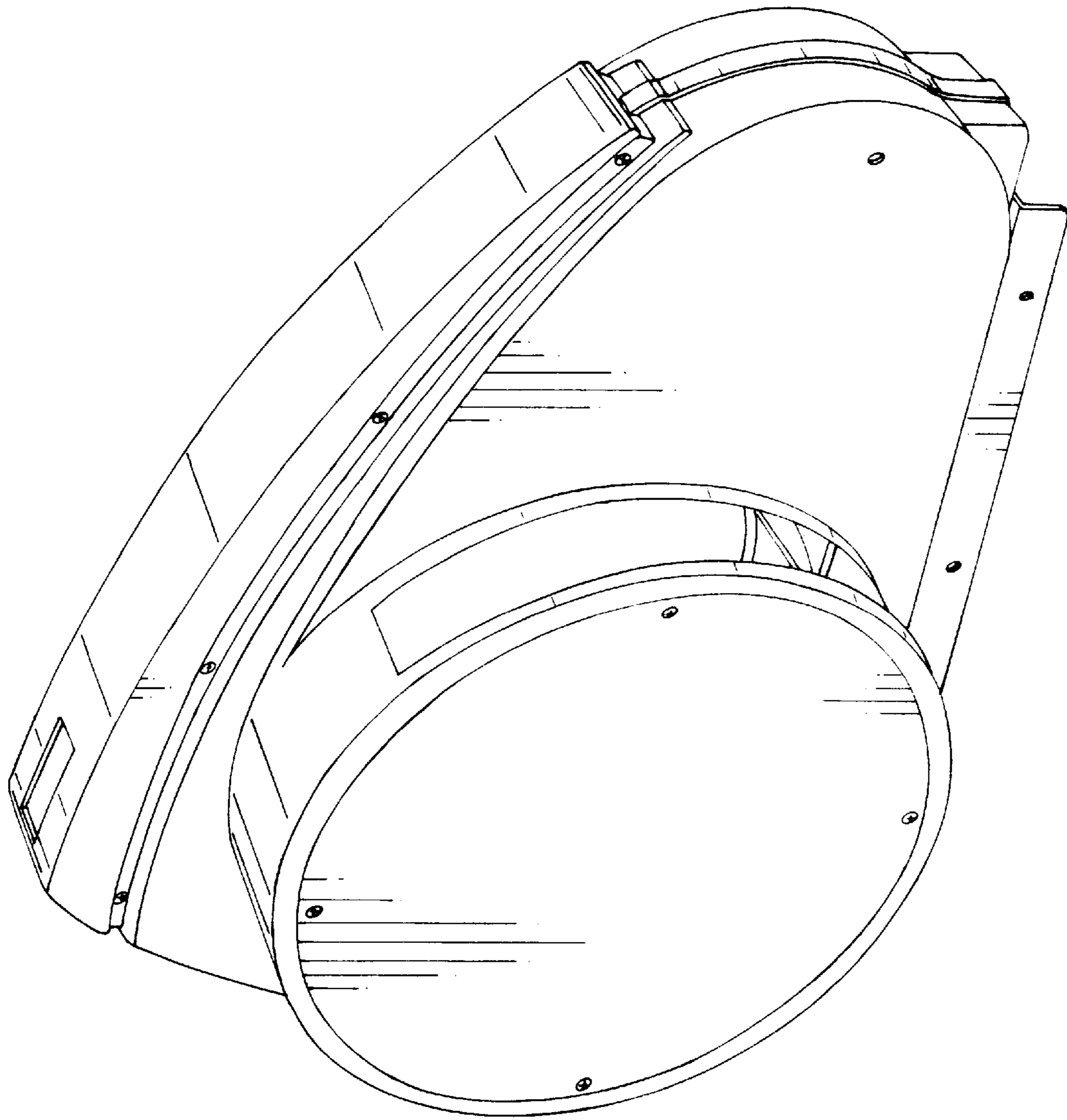


Fig. 1

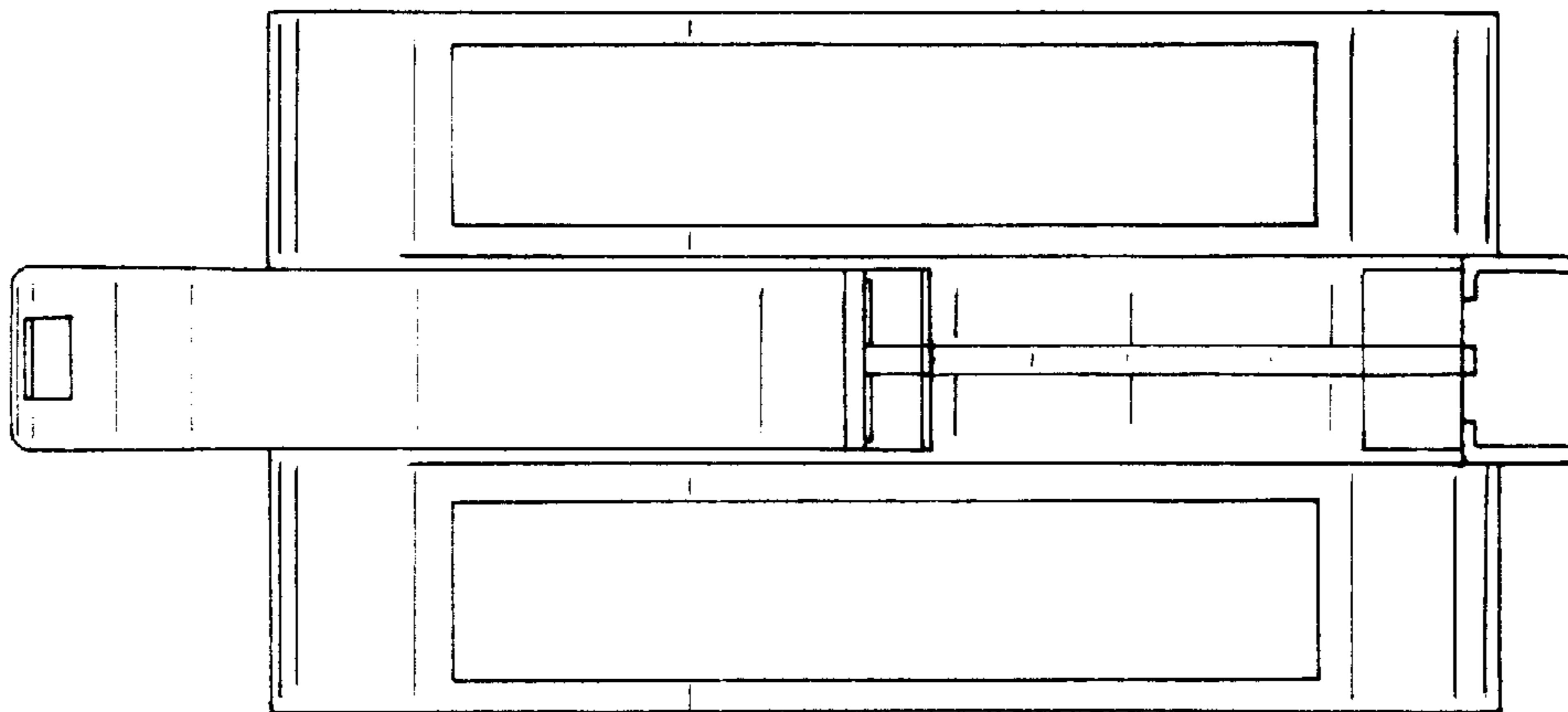


Fig. 2

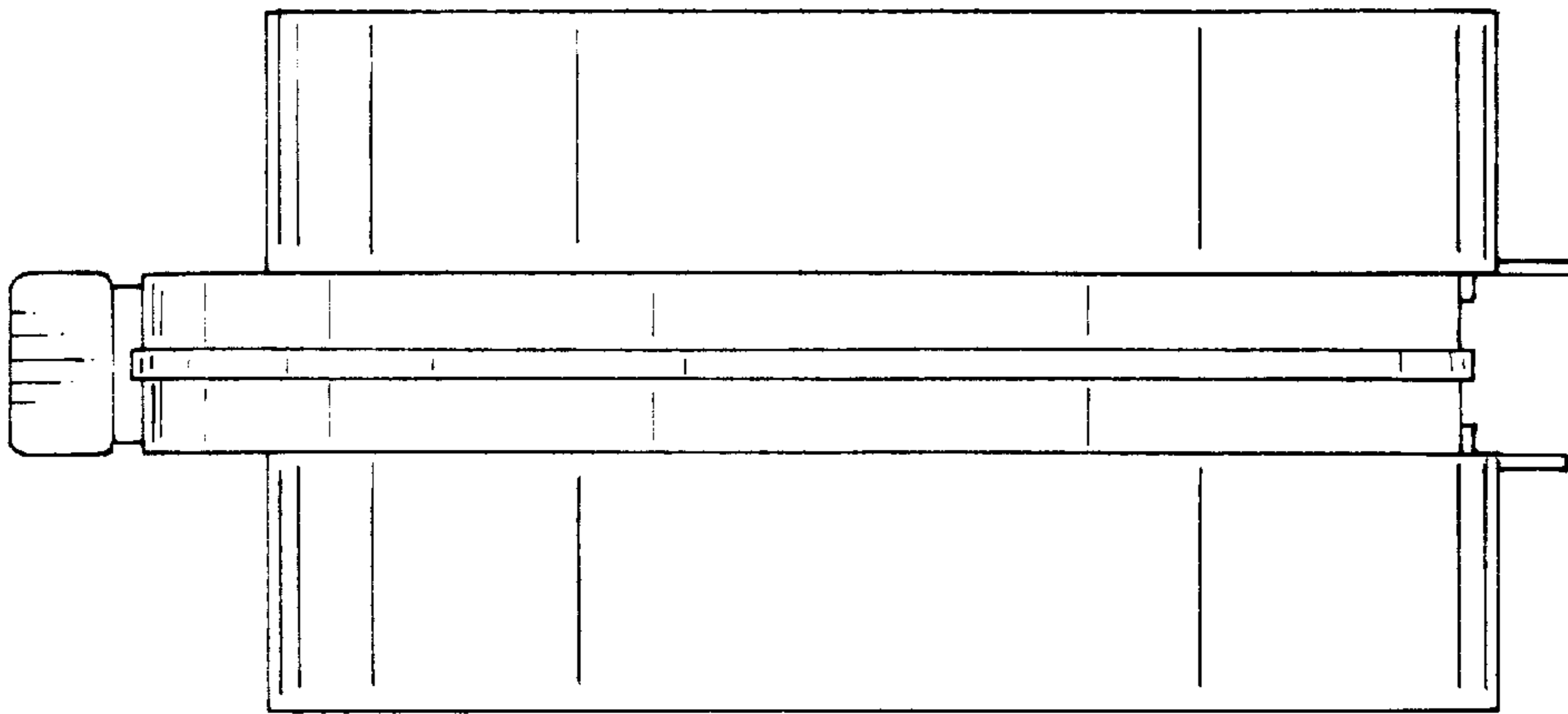


Fig. 3

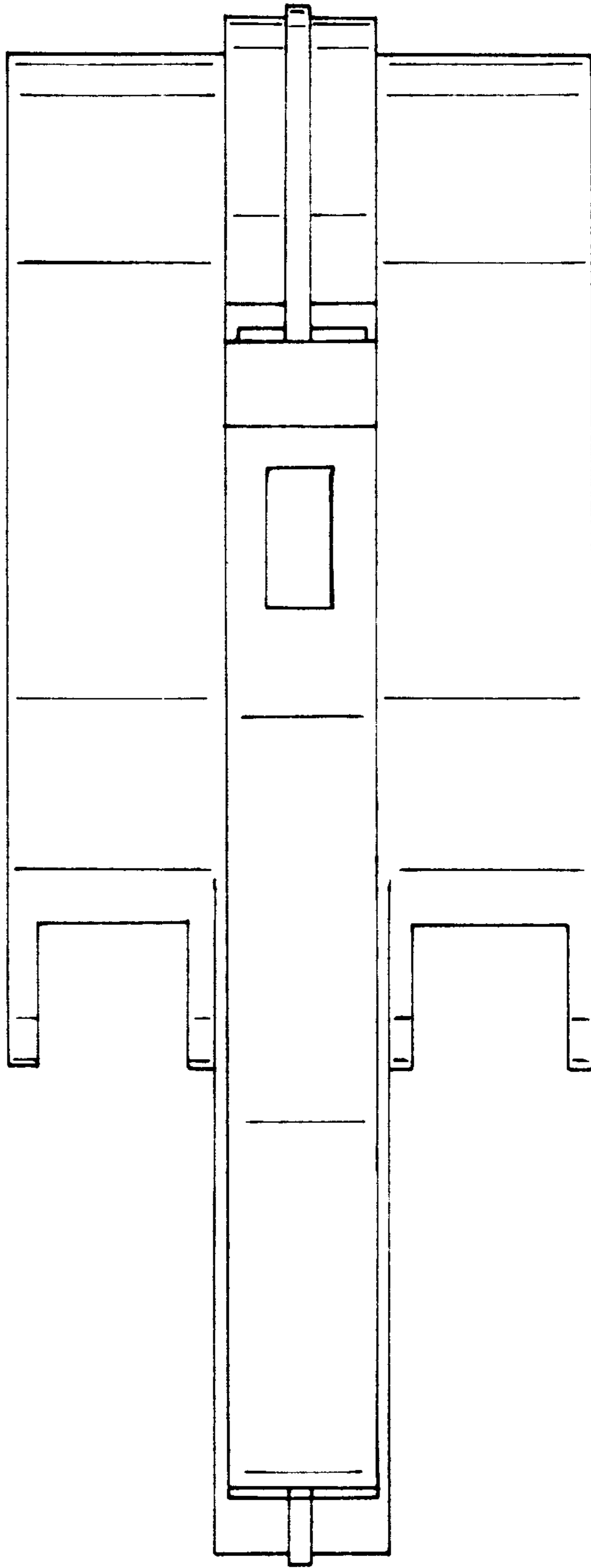


Fig. 4

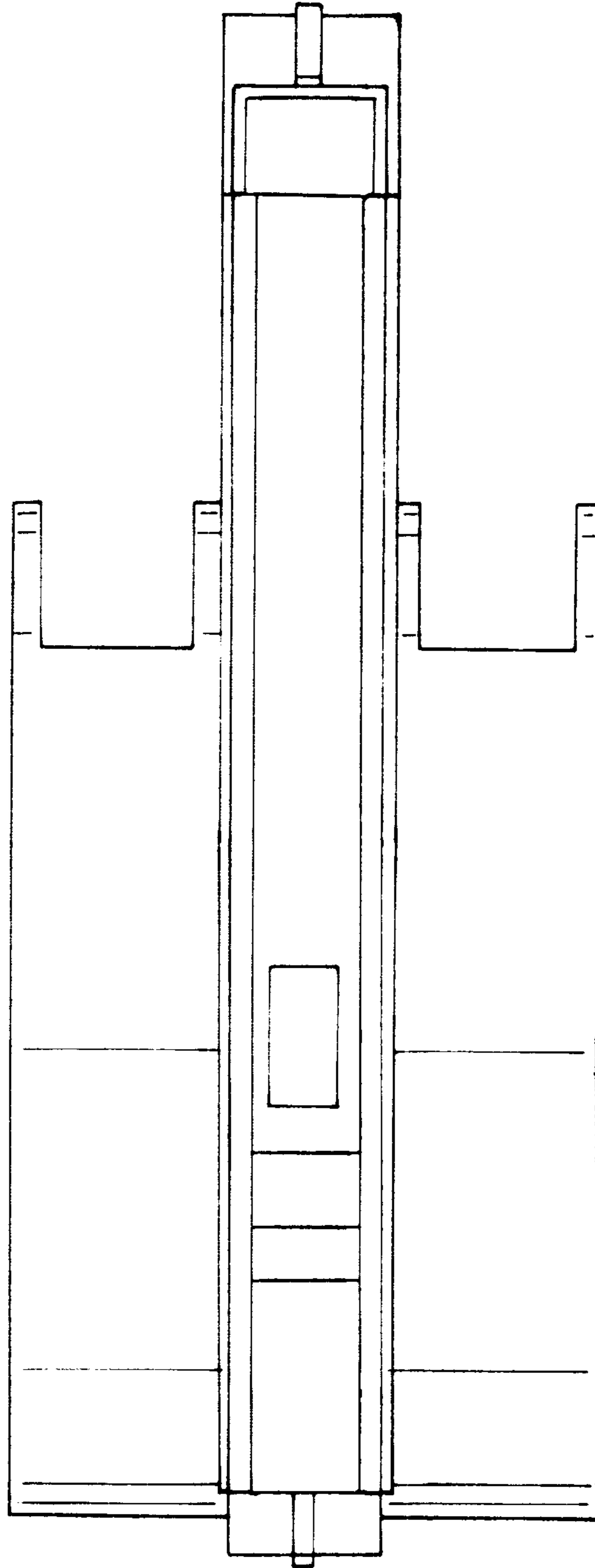


Fig. 5

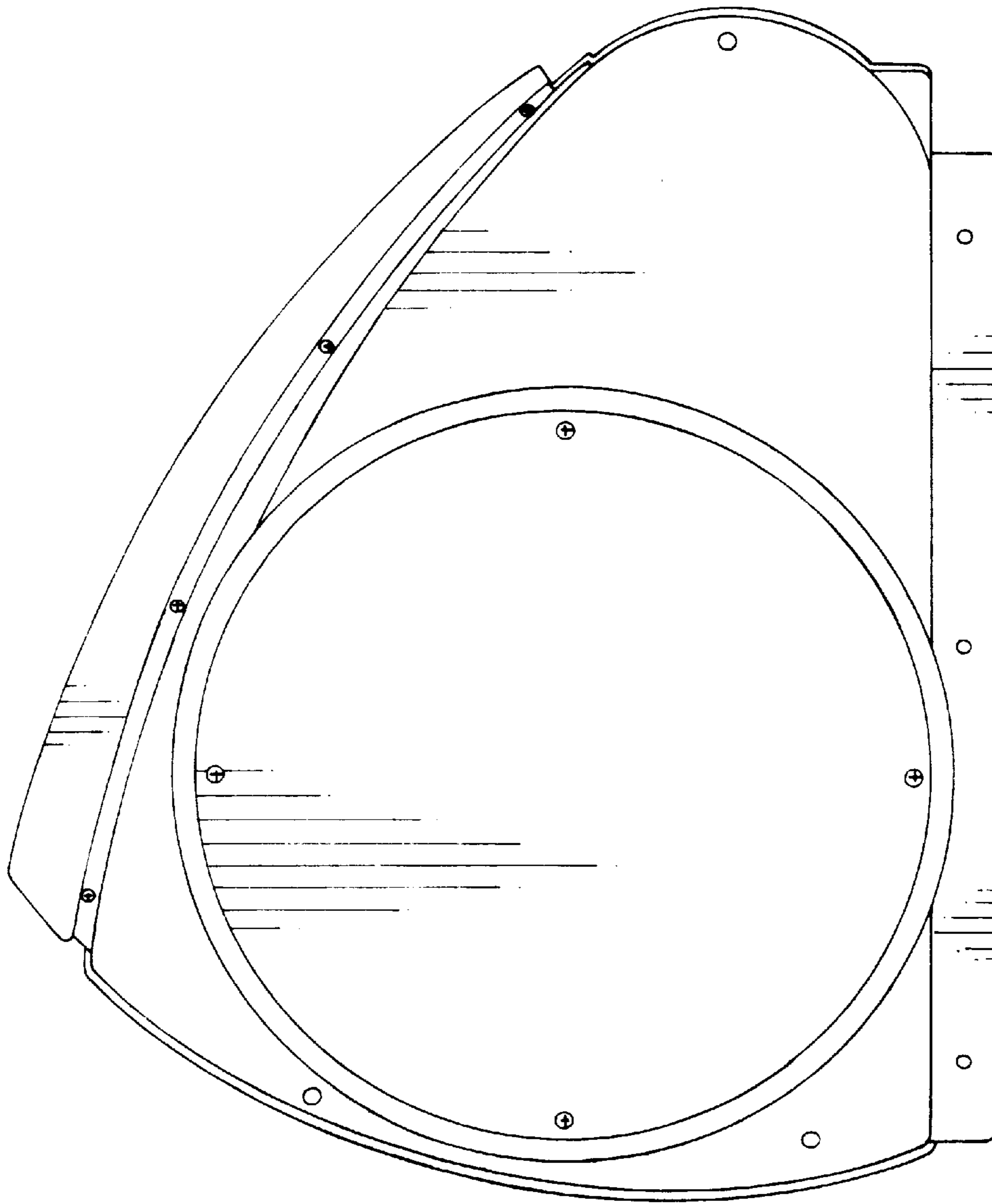


Fig. 6

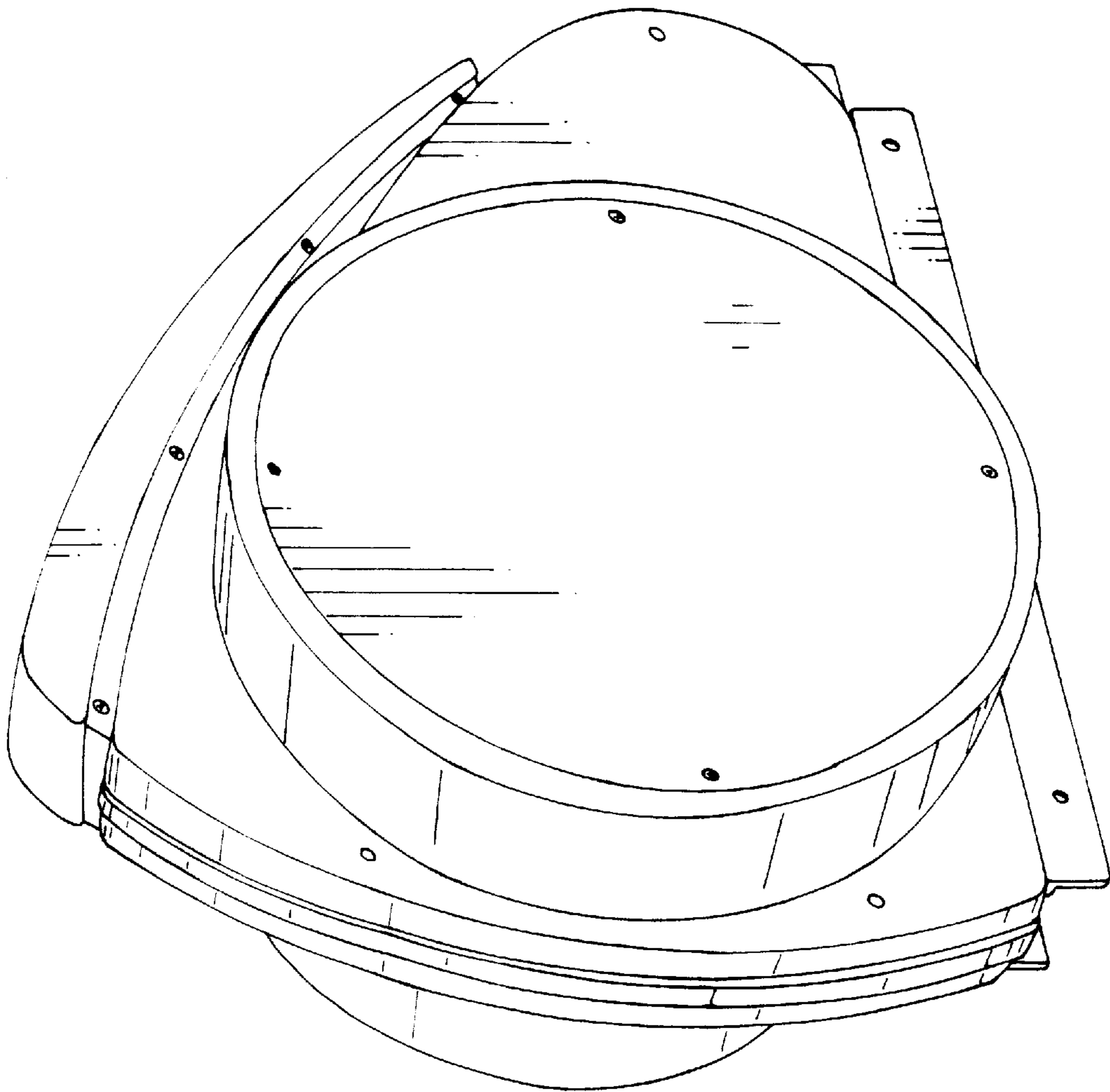


Fig. 7



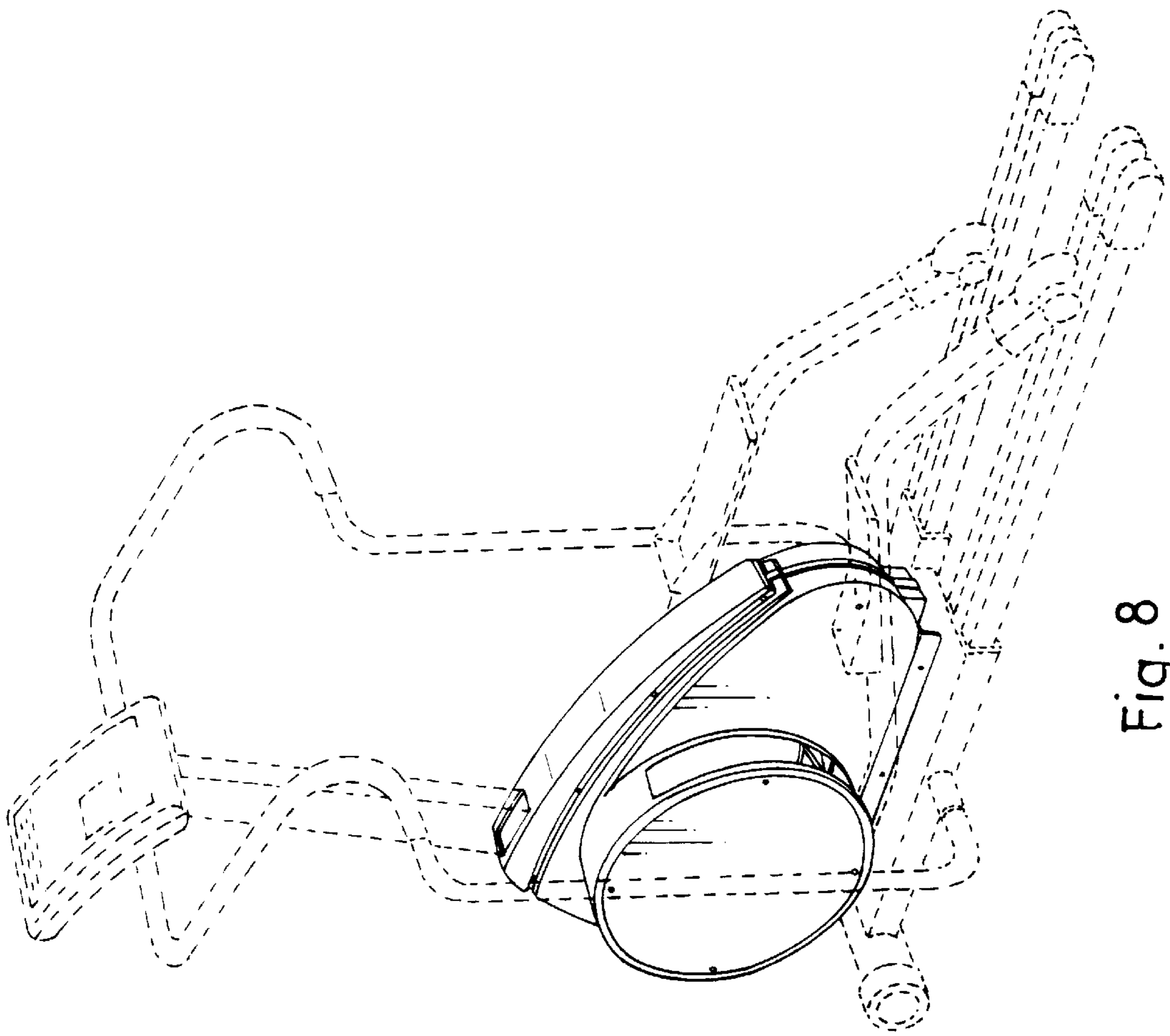


Fig. 8