



US00D454604S

(12) **United States Design Patent**  
**Webber**

(10) **Patent No.:** **US D454,604 S**  
(45) **Date of Patent:** **\*\* Mar. 19, 2002**

(54) **MULTI-STATION GYM WITH CONVERGING PRESS ARM**

(76) Inventor: **Randall T. Webber**, 100 Harbor Dr., #1404, San Diego, CA (US) 92101

(\*\*) Term: **14 Years**

(21) Appl. No.: **29/136,385**

(22) Filed: **Jan. 30, 2001**

(51) **LOC (7) Cl.** ..... **21-02**

(52) **U.S. Cl.** ..... **D21/675; D21/676**

(58) **Field of Search** ..... D21/662, 673, D21/675, 676; 482/92, 93, 94, 97, 98, 99, 100, 133, 134, 135, 138

(56) **References Cited**

**U.S. PATENT DOCUMENTS**

4,354,675	A	*	10/1982	Barclay	.....	482/138
4,390,179	A	*	6/1983	Szkalak	.....	482/138
D321,024	S	*	10/1991	Brentham	.....	D21/676
5,263,915	A	*	11/1993	Habing	.....	482/99
5,417,633	A	*	5/1995	Habing	.....	482/97
D370,039	S	*	5/1996	May et al.	.....	D21/675
D370,040	S	*	5/1996	Habing et al.	.....	D21/675
5,514,060	A	*	5/1996	Hu	.....	482/136
5,779,601	A	*	7/1998	Ish, III	.....	482/100
D439,941	S	*	4/2001	Batca et al.	.....	D21/675
D440,609	S	*	4/2001	Batca et al.	.....	D21/675
D440,611	S	*	4/2001	Batca et al.	.....	D21/675

**OTHER PUBLICATIONS**

Hoist 4000, Hoist Fitness Brochure, 1985.  
Hoist 4000 Plus, Hoist Fitness Brochure, 1989.  
Multi-Max, Muscle Dynamics Brochure, 1991.

The Coronado, Pacific Fitness Brochure, 1994.  
H4600, Hoist Fitness Brochure, 1995.  
4-Stack Gym, Vectra Fitness Brochure, 1997.  
Catalina, Pacific Fitness Brochure, 1998.  
Paramount FIT-5000, Paramount Fitness Brochure, 1998.  
CG-6P, Cal Gym Brochure, Undated.  
Apollo 450, Tuff Stuff/Task Industries Brochure, No Date.

\* cited by examiner

*Primary Examiner*—Philip S. Hyder  
(74) *Attorney, Agent, or Firm*—Brown, Martin, Haller & McClain, LLP

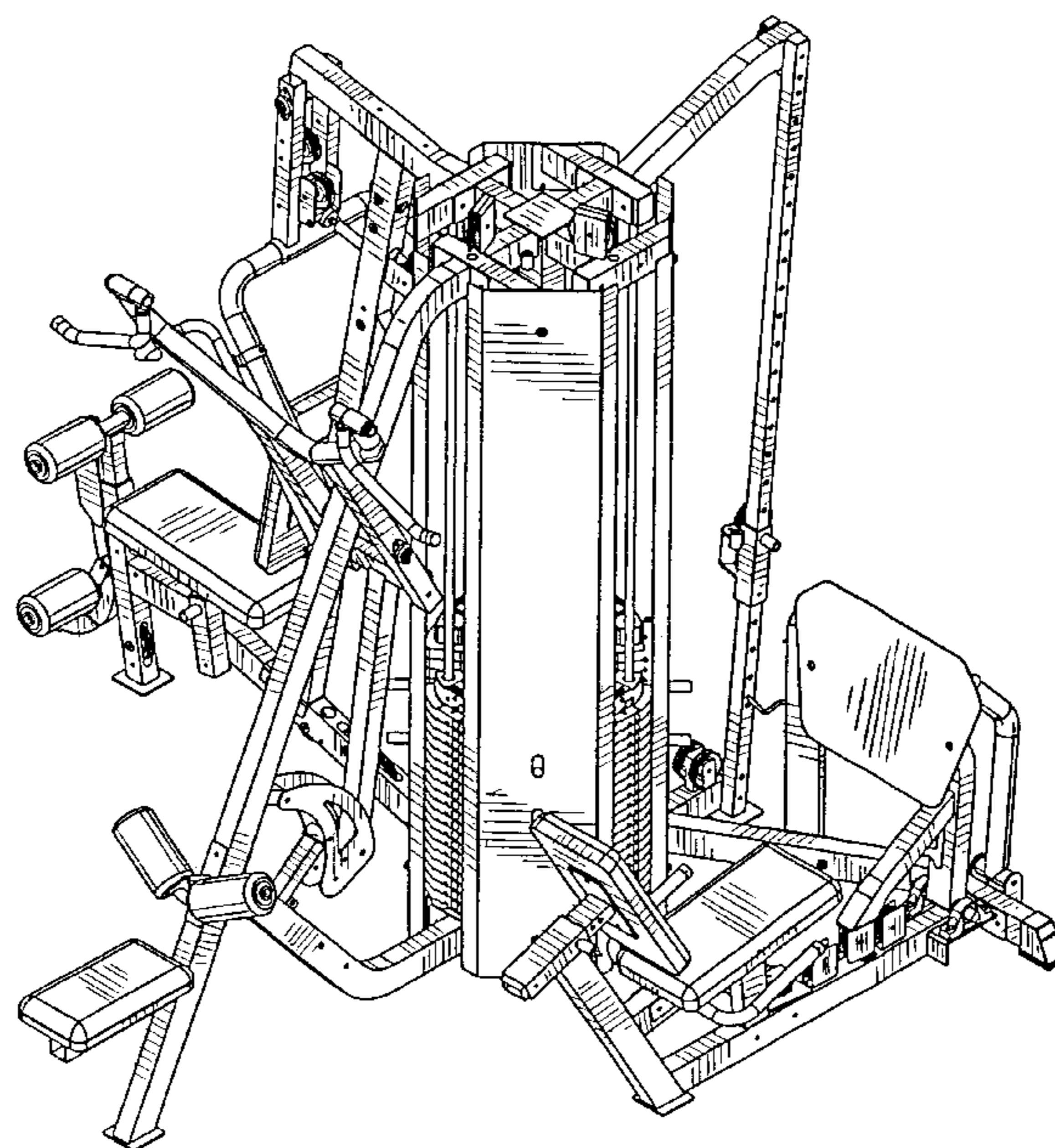
(57) **CLAIM**

The ornamental design for a multi-station gym with converging press arm, as shown.

**DESCRIPTION**

FIG. 1 is a left front perspective view of a multi-station gym with converging press arm showing my new design;  
FIG. 2 is a right rear perspective view thereof;  
FIG. 3 is a front view thereof;  
FIG. 4 is a right side elevational view thereof;  
FIG. 5 is a rear view thereof;  
FIG. 6 is a left side elevational view thereof;  
FIG. 7 is a top plan view thereof;  
FIG. 8 is a view similar to FIG. 1, with the weight covers removed; and,  
FIG. 9 is a view similar to FIG. 2, with the weight covers removed.

**1 Claim, 5 Drawing Sheets**



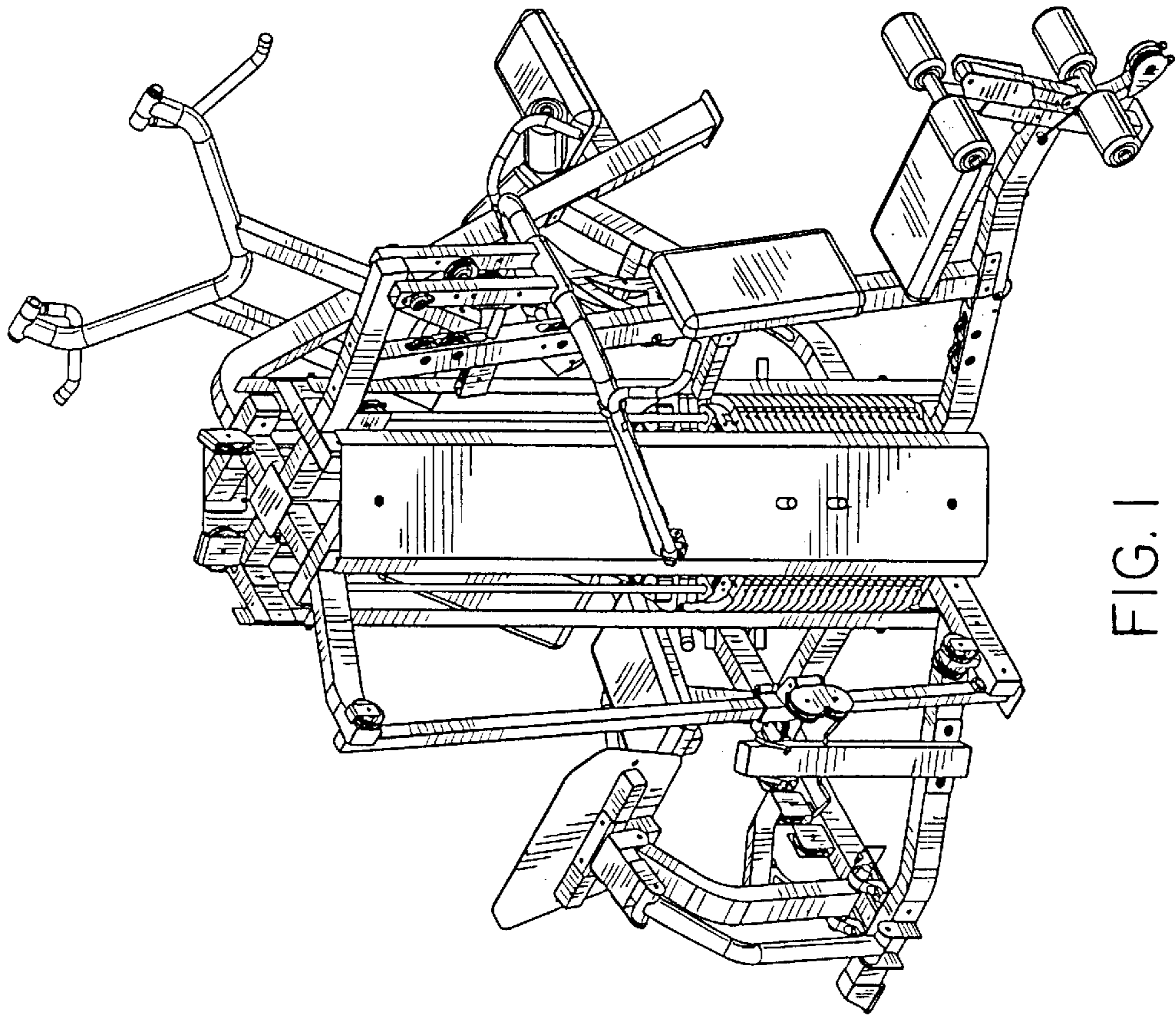


FIG. 1

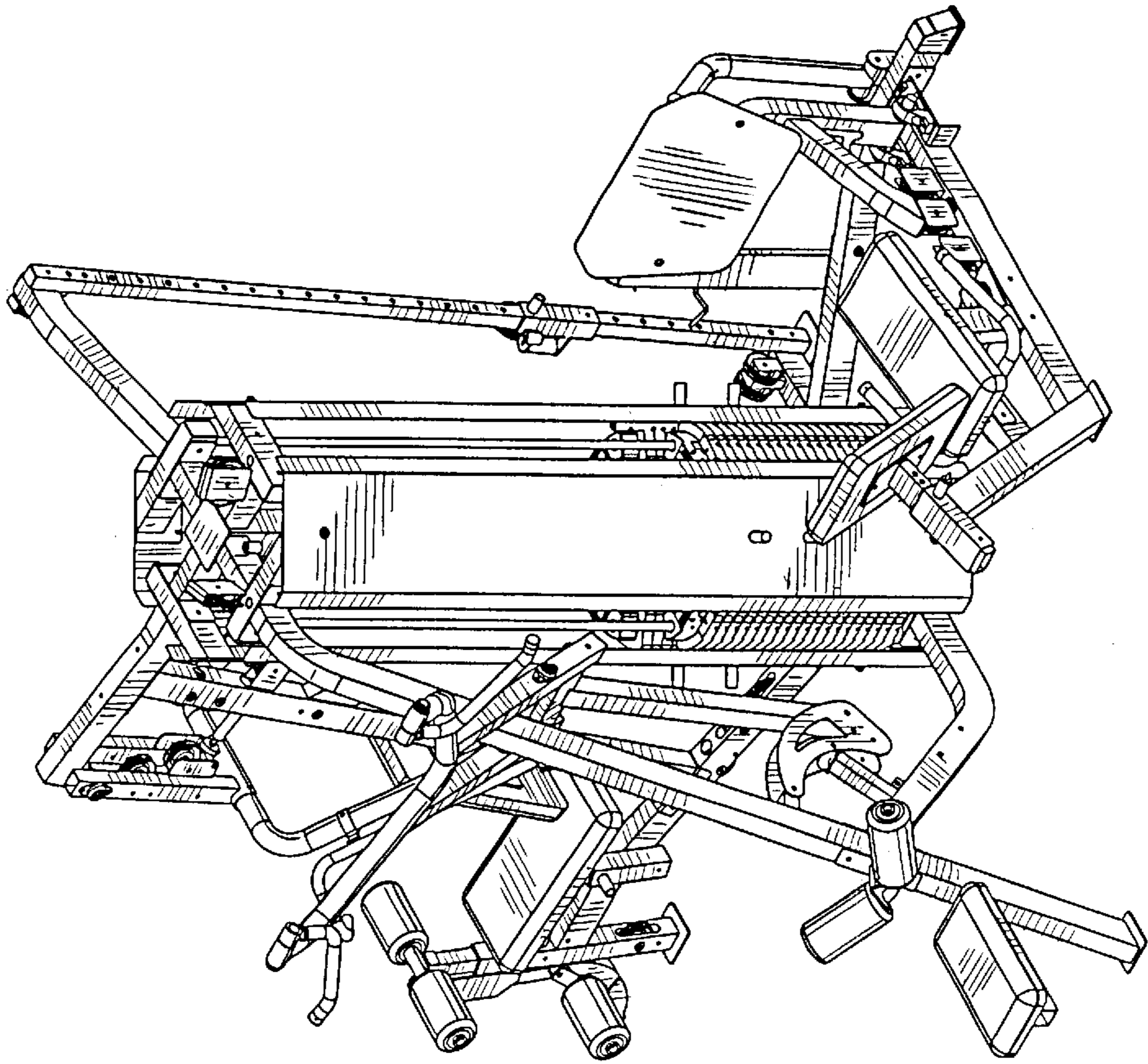


FIG. 2

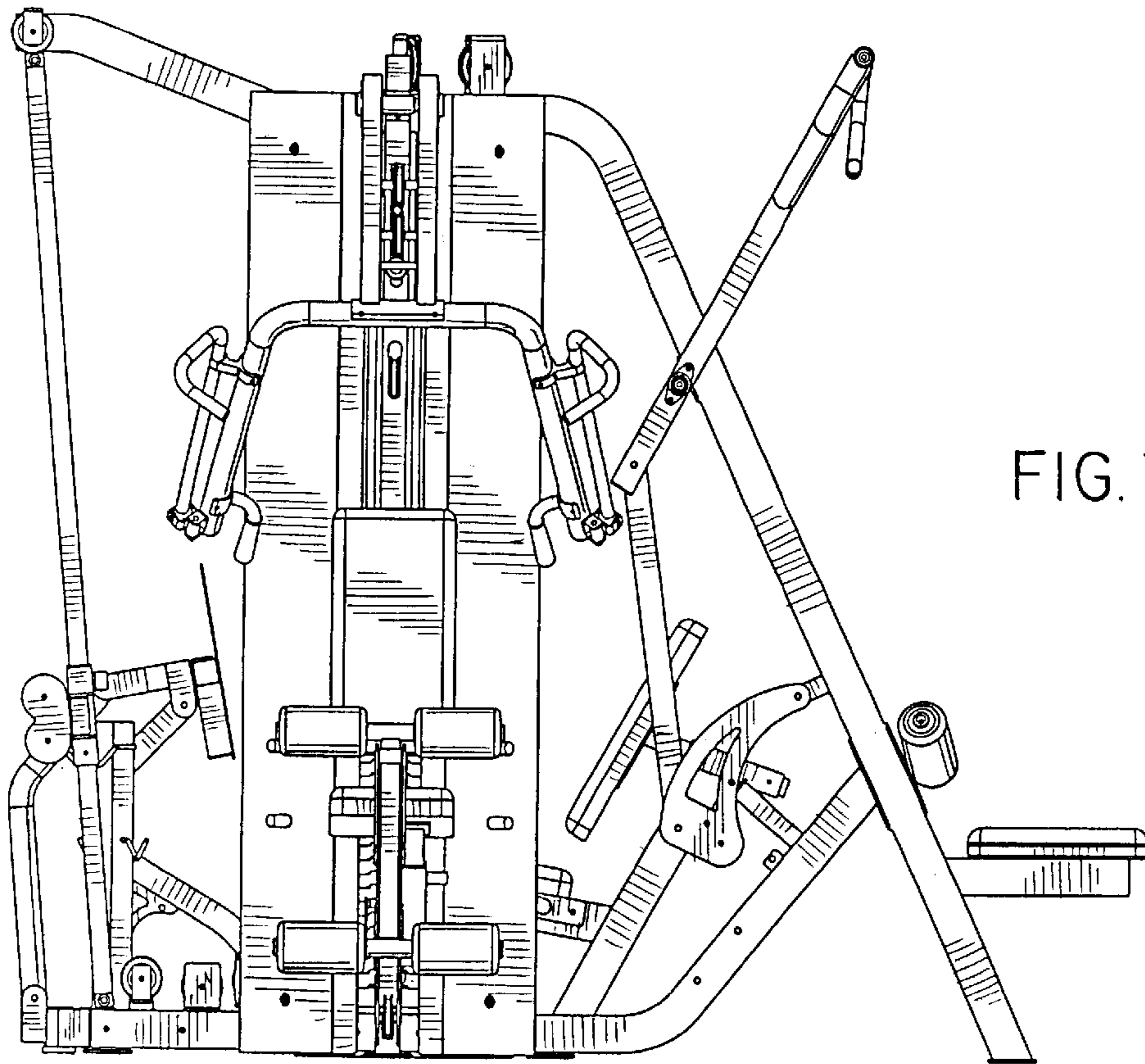


FIG. 3

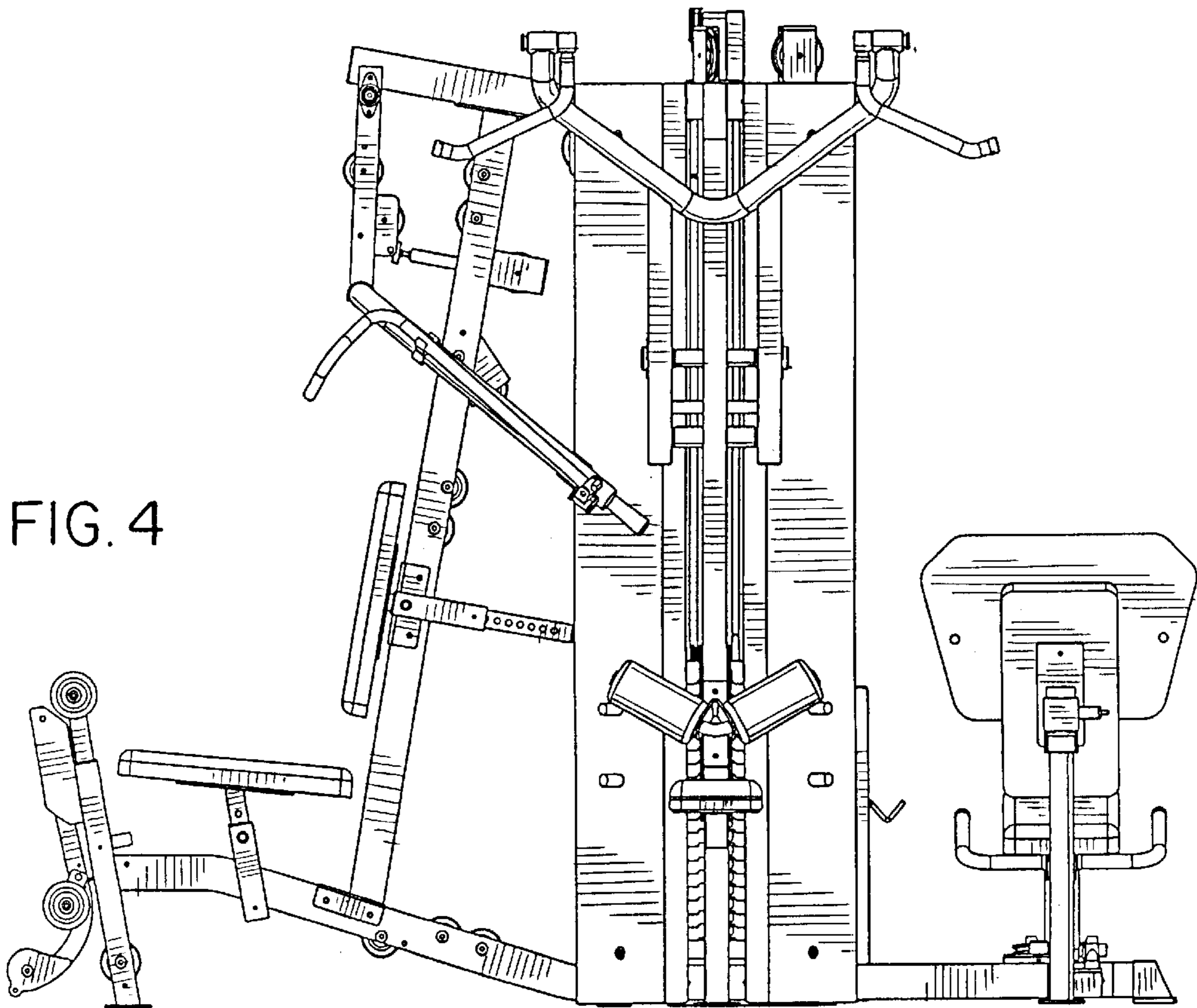


FIG. 4

FIG. 5

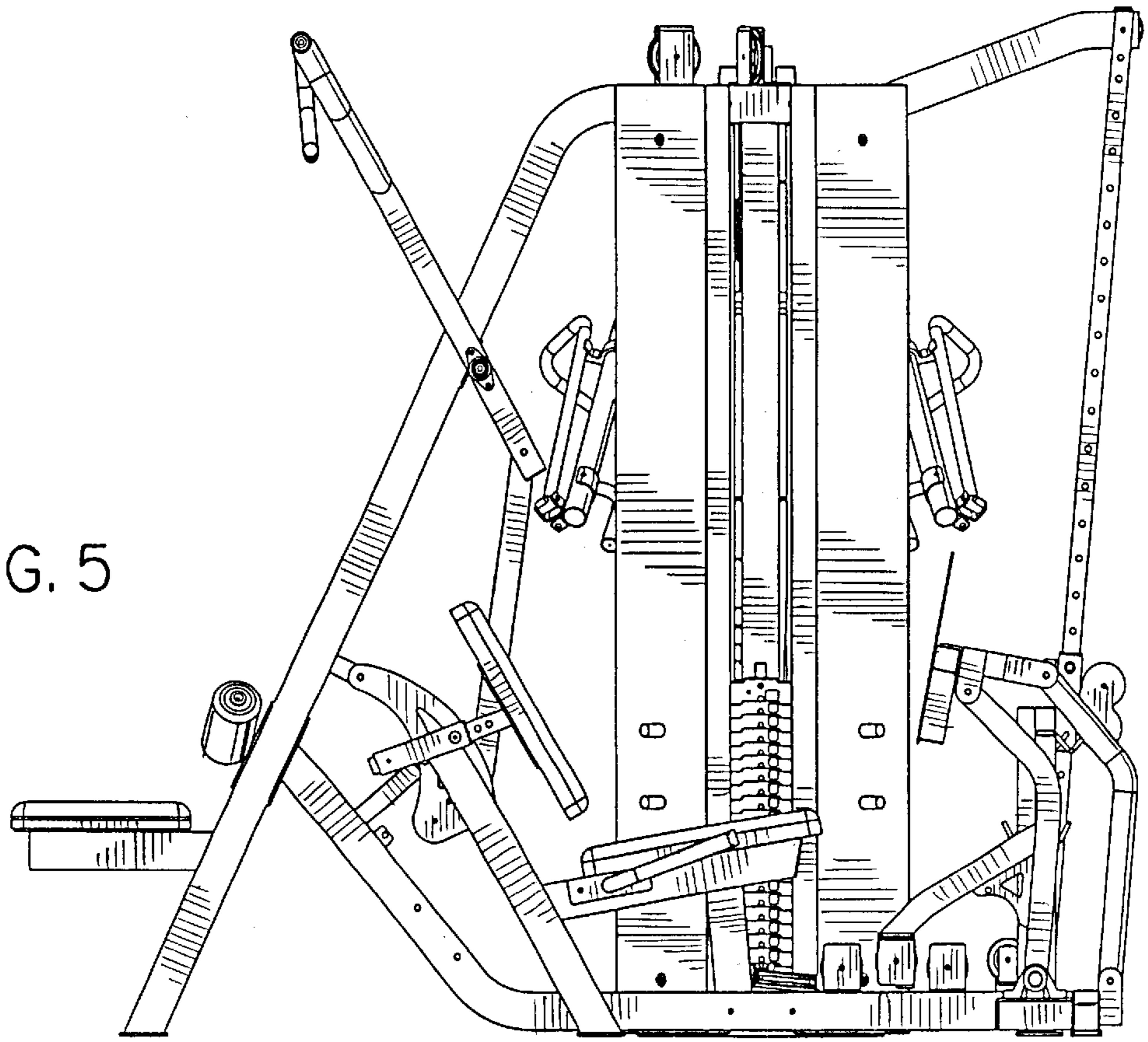
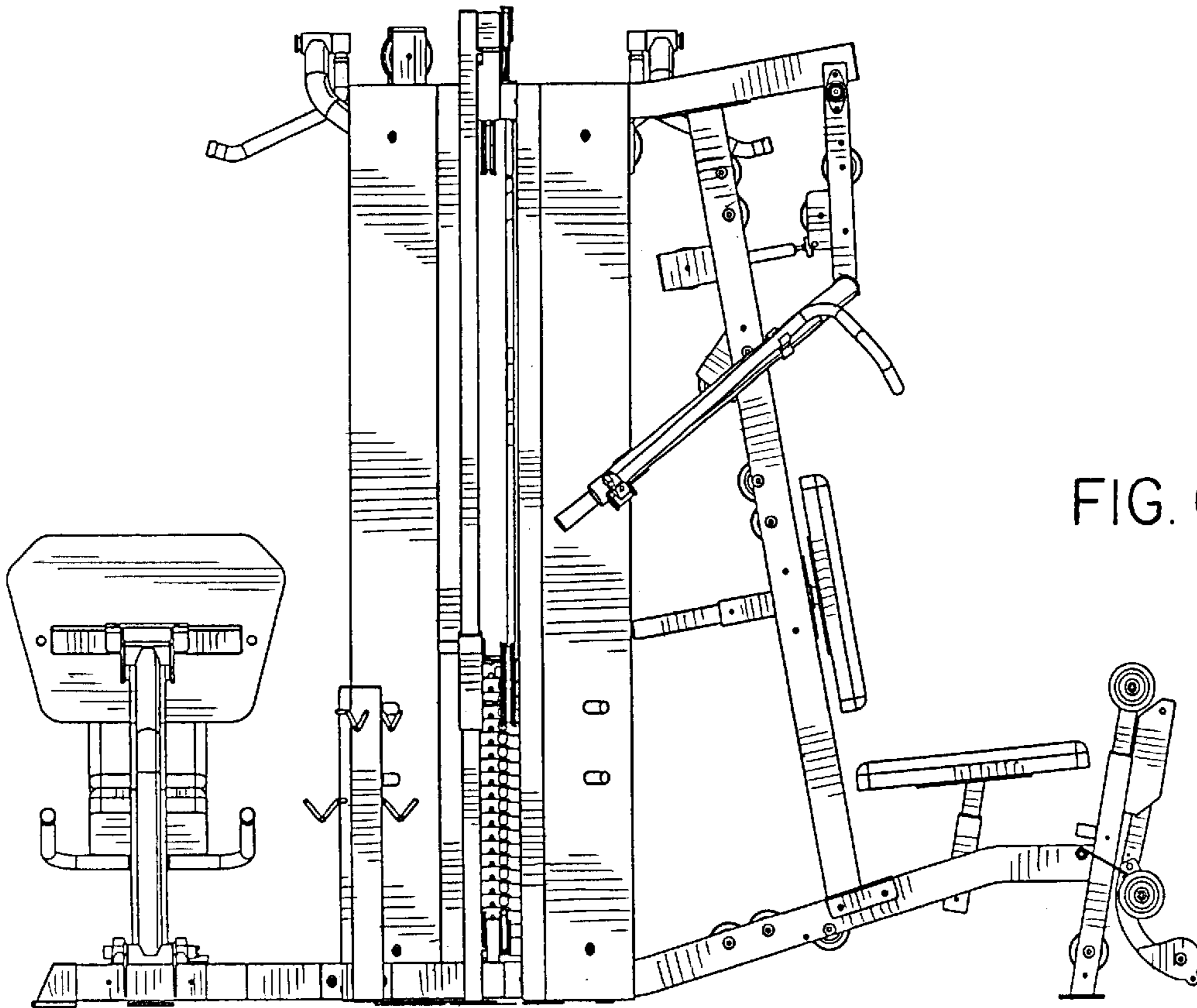


FIG. 6



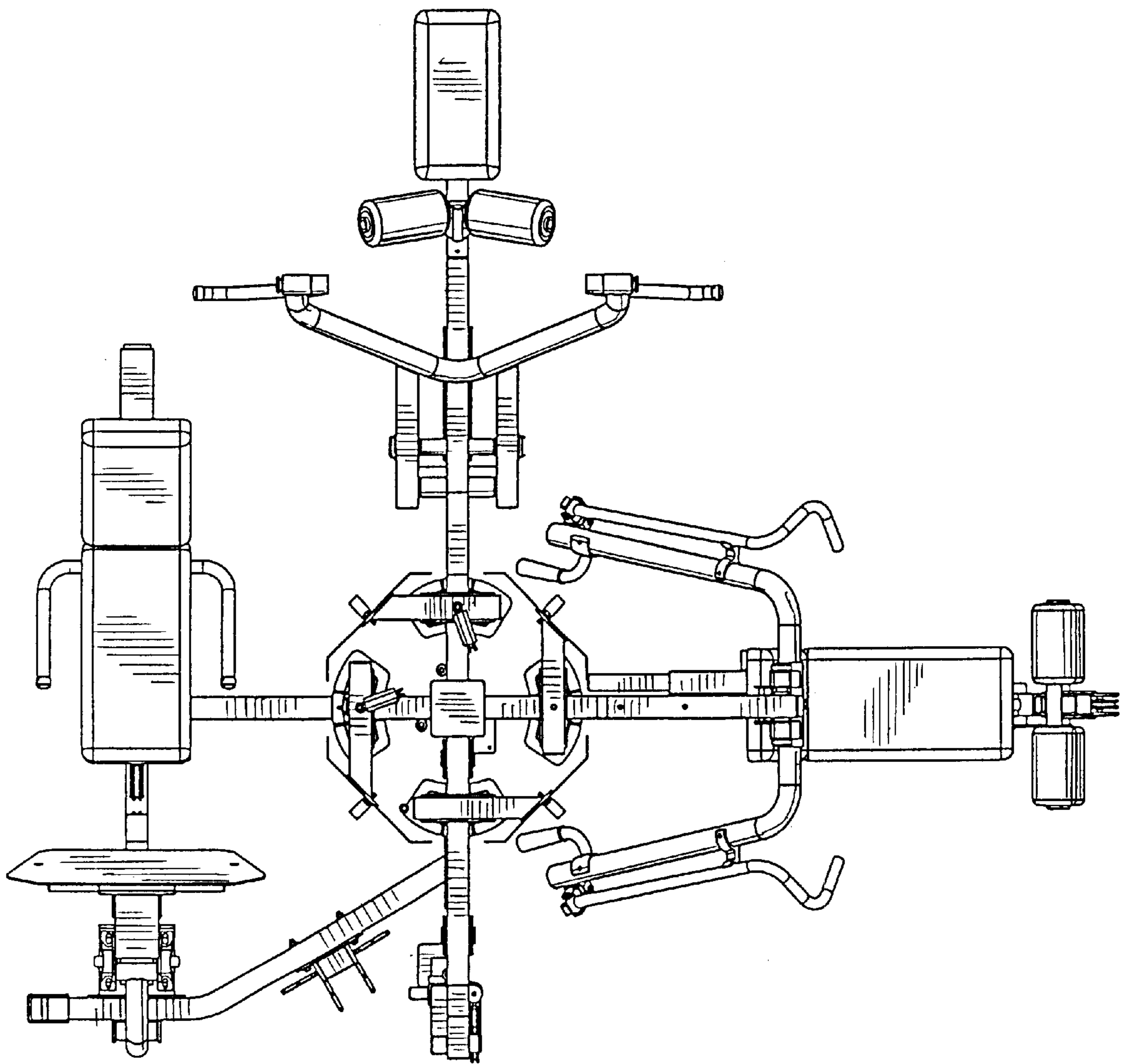


FIG. 7

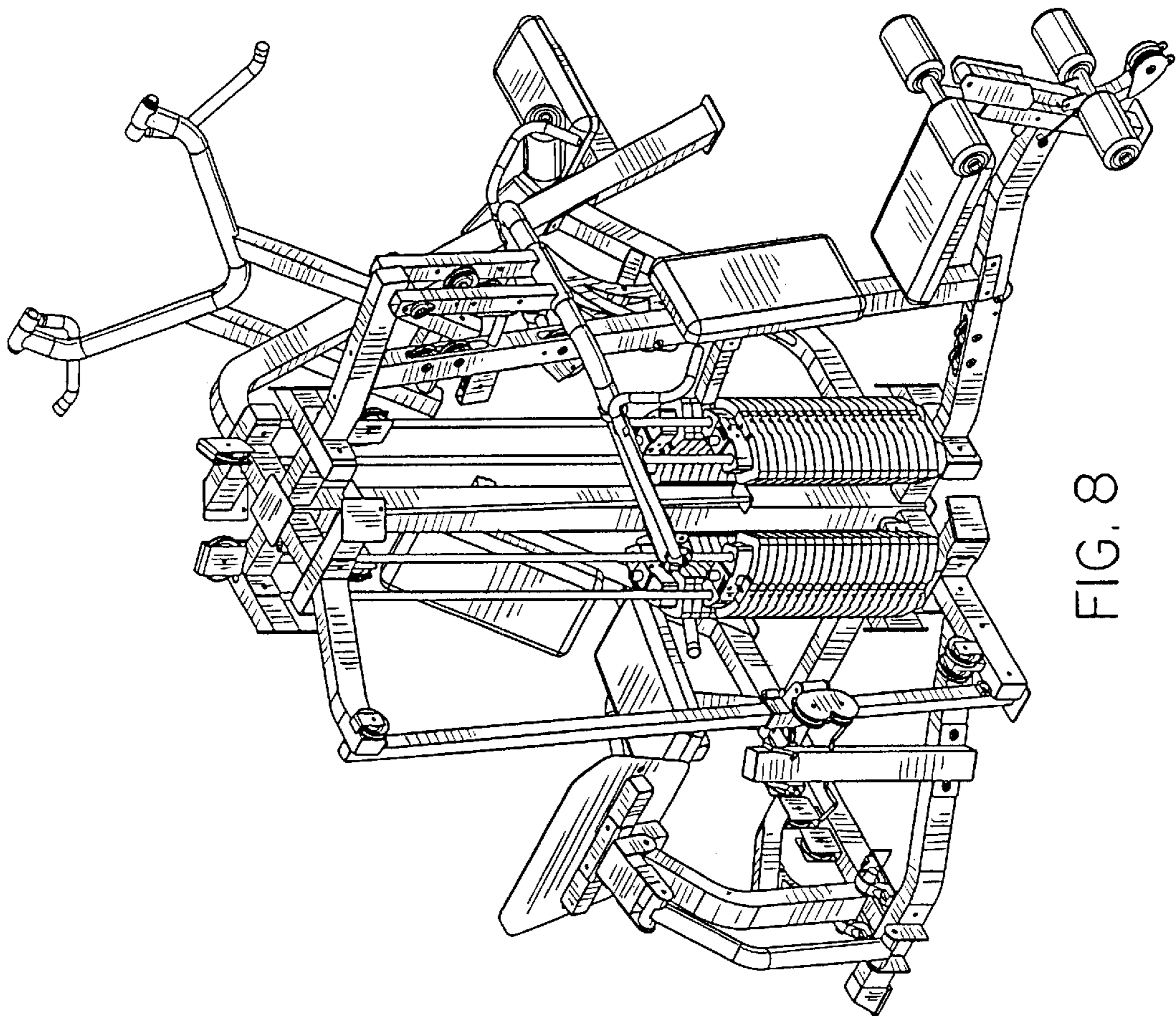


FIG. 8

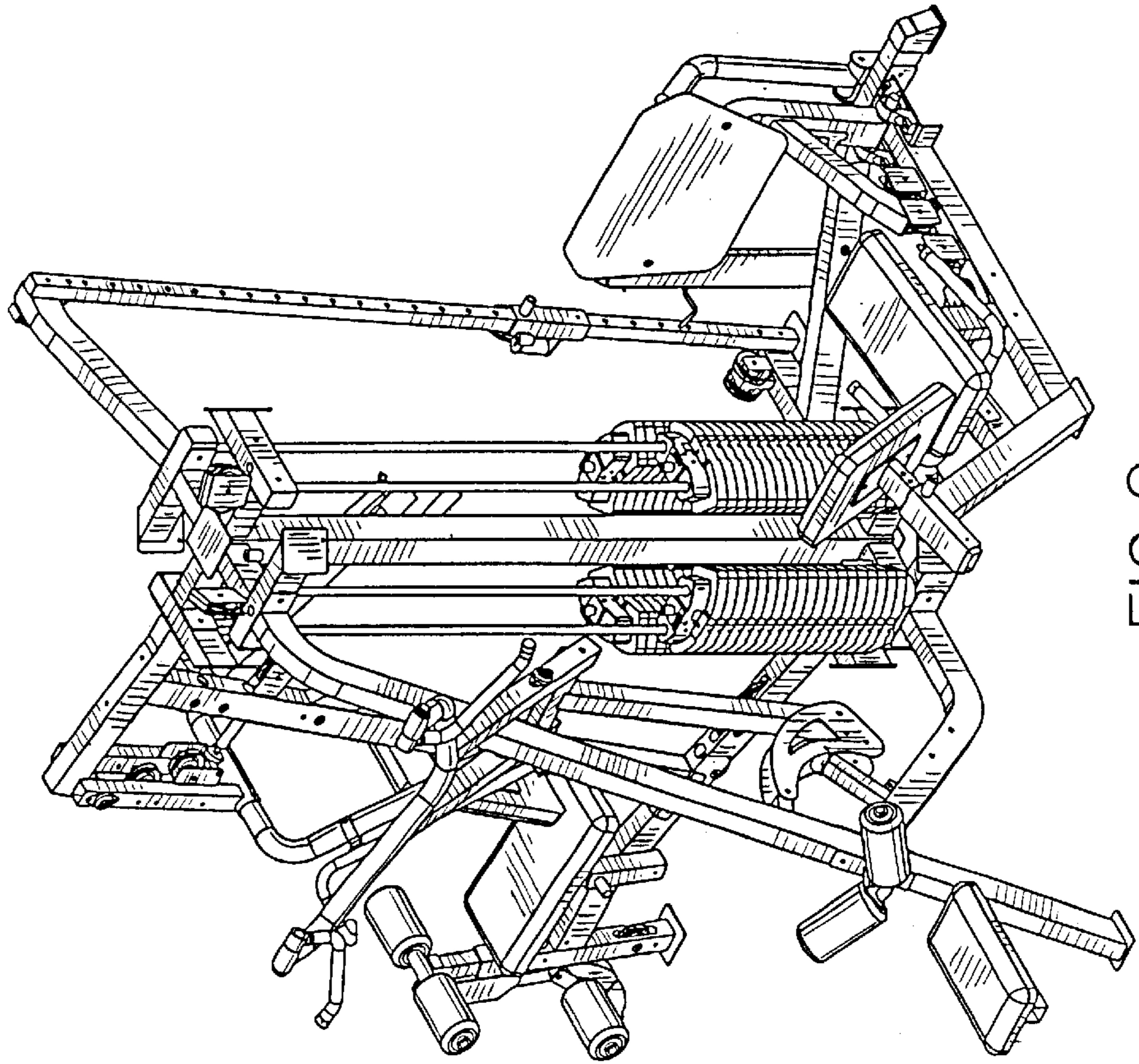


FIG. 9