



US00D454602S

(12) **United States Design Patent**
Tse

(10) **Patent No.:** **US D454,602 S**

(45) **Date of Patent:** **** Mar. 19, 2002**

(54) **TOY VEHICLE**

OTHER PUBLICATIONS

(75) **Inventor:** **Cliff Wai Keung Tse, Chaiwan (HK)**

Radio control car action P93, Mar. 1990.*

(73) **Assignee:** **Wah Hing Toys Development Co., Ltd., Kowloon (HK)**

Lilly's Kids, P28, Nov. 1993.*

Power Talk, cover, Jun. 30, 1990.*

Power Talk, P3, Aug. 31, 1991.*

(**) **Term:** **14 Years**

* cited by examiner

(21) **Appl. No.:** **29/132,453**

Primary Examiner—Raphael Barkai

(74) *Attorney, Agent, or Firm*—Leydig, Voit & Mayer, Ltd.

(22) **Filed:** **Nov. 13, 2000**

(57) **CLAIM**

(51) **LOC (7) Cl.** **21-01**

The ornamental design for a toy vehicle, as shown and described.

(52) **U.S. Cl.** **D21/559; D21/552**

(58) **Field of Search** D21/433, 434,
D21/533, 549, 550, 552, 556, 559, 580;
446/93, 95, 465, 469-471, 441, 444, 449,
451, 457; D12/93, 96, 97, 98, 87

DESCRIPTION

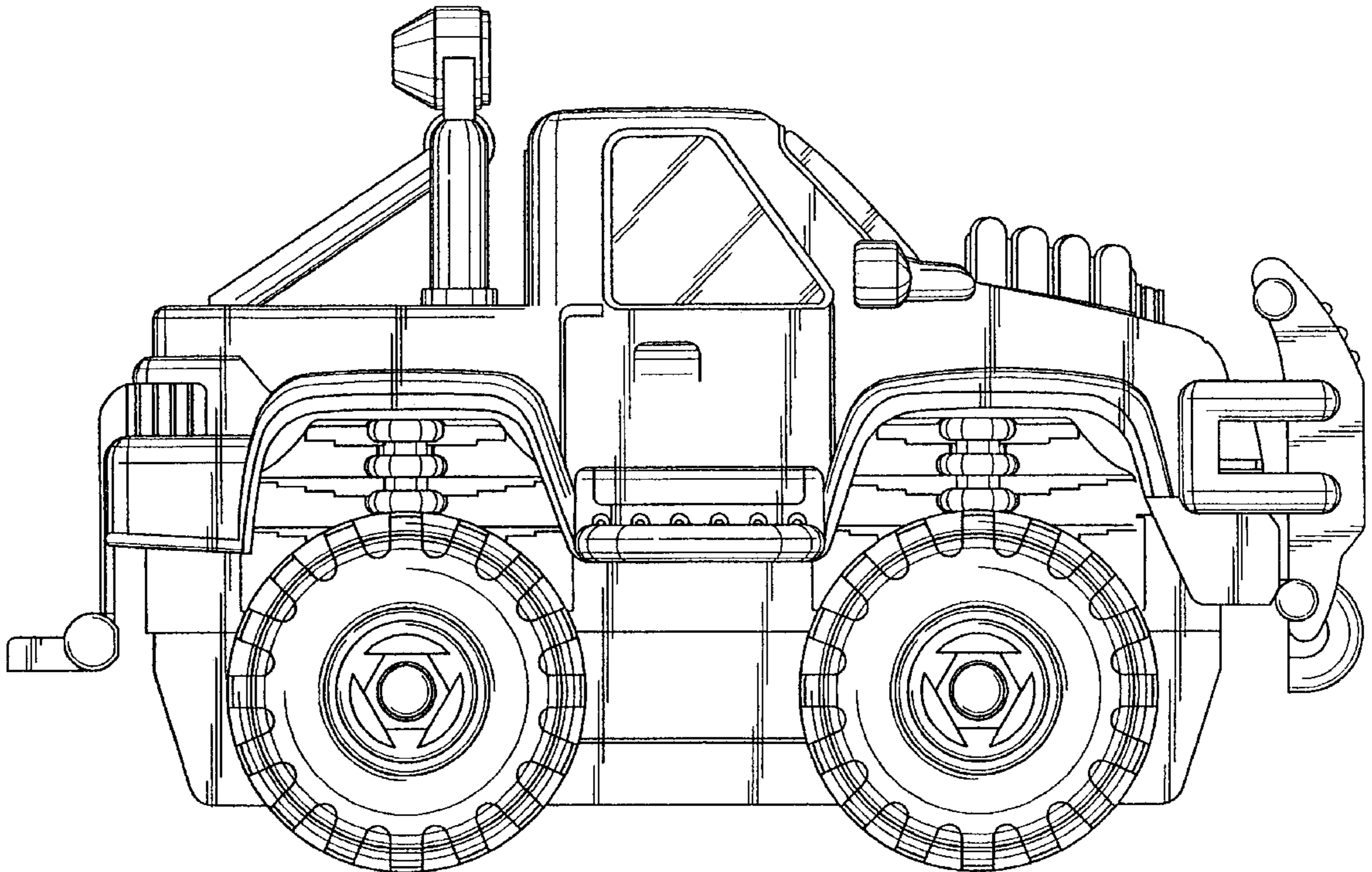
(56) **References Cited**

FIG. 1 is a front end elevational view of a toy vehicle showing my new design;
FIG. 2 is a rear end elevational view thereof;
FIG. 3 is a right side elevational view thereof;
FIG. 4 is a left side elevational view thereof;
FIG. 5 is a top plan view thereof; and,
FIG. 6 is a bottom plan view thereof.

U.S. PATENT DOCUMENTS

D274,632 S	*	7/1984	Terui	D21/559
D277,494 S	*	2/1985	Lerch	D21/559
D281,000 S	*	10/1985	Kuna	D21/559

1 Claim, 6 Drawing Sheets



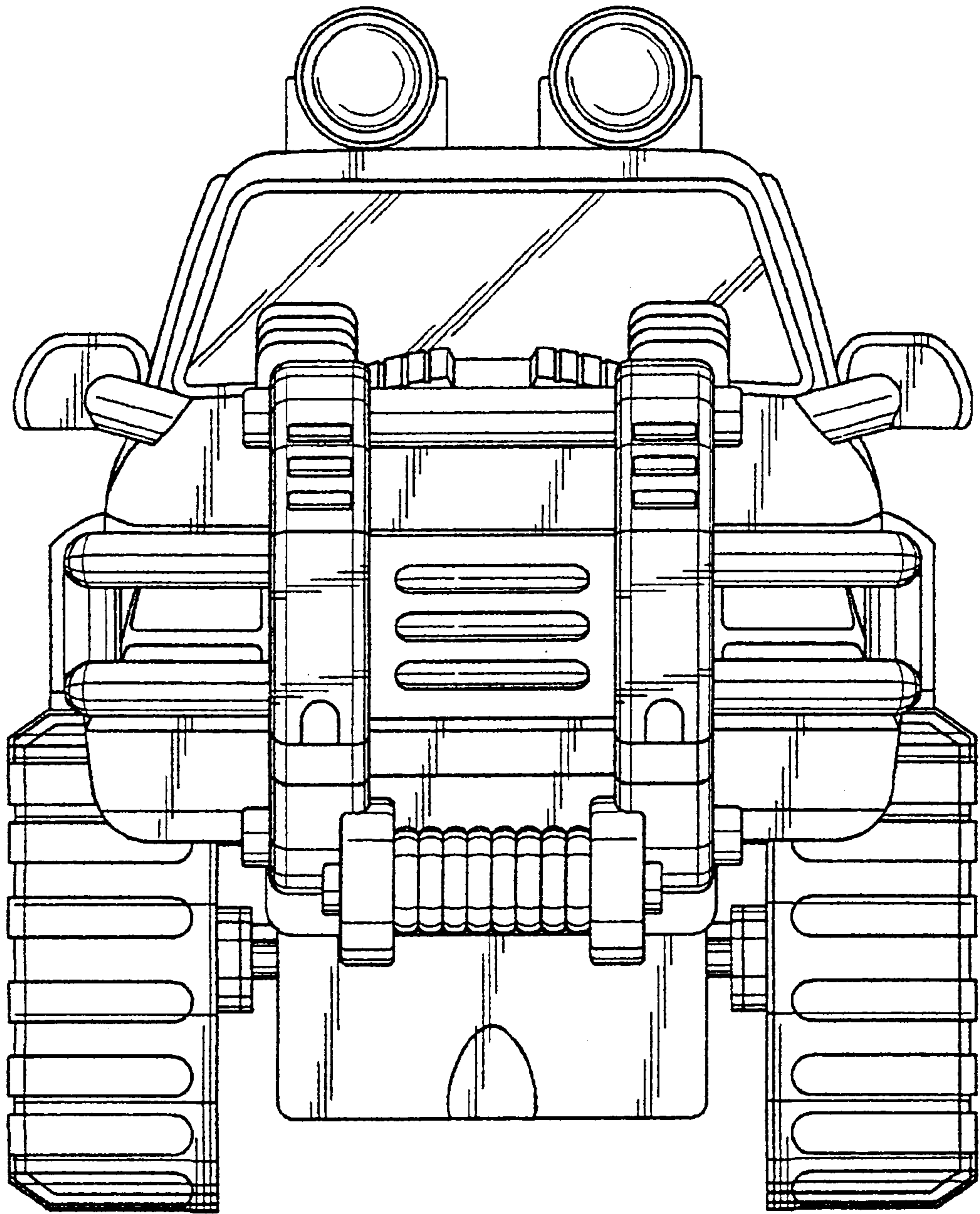


FIG. 1

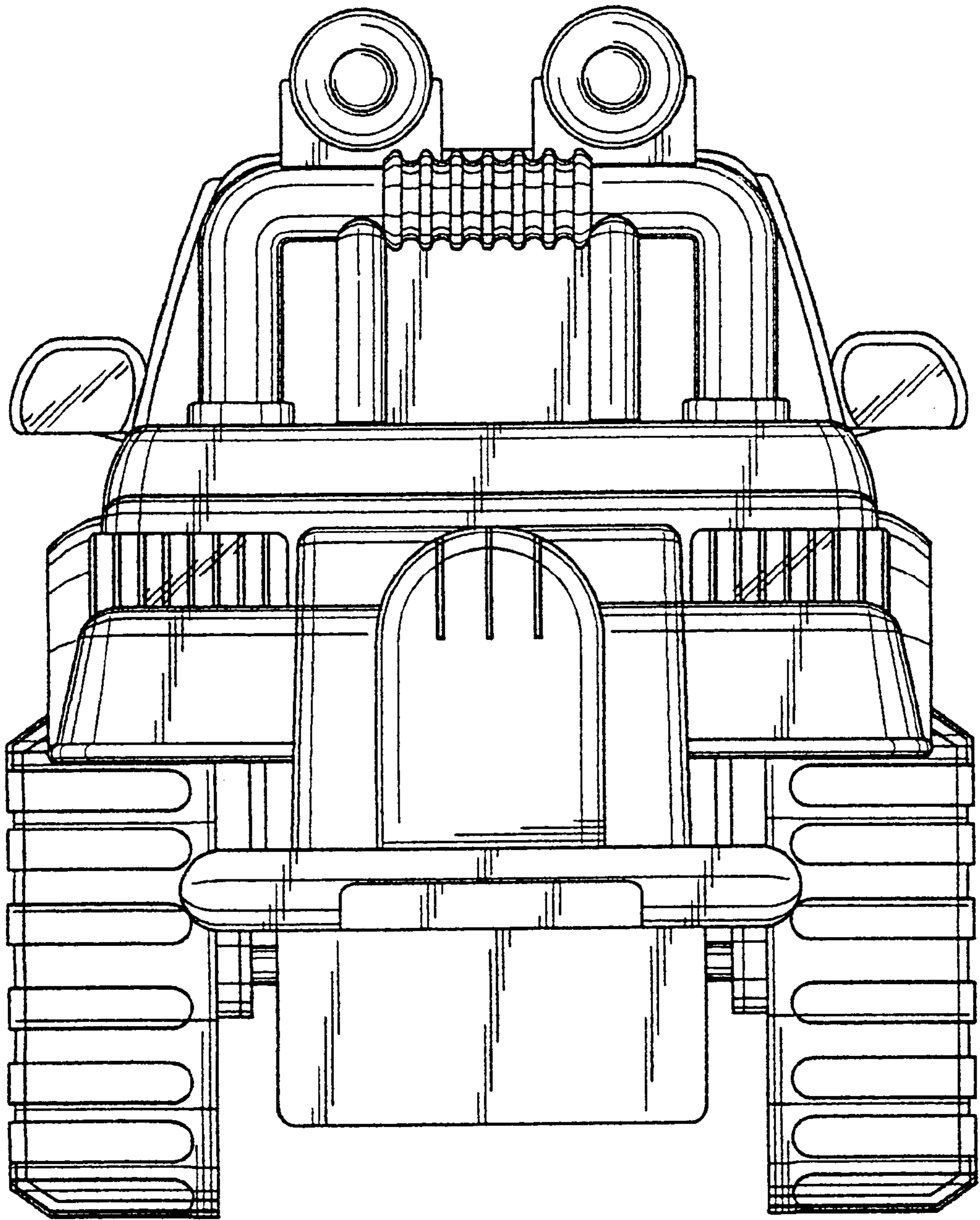


FIG. 2

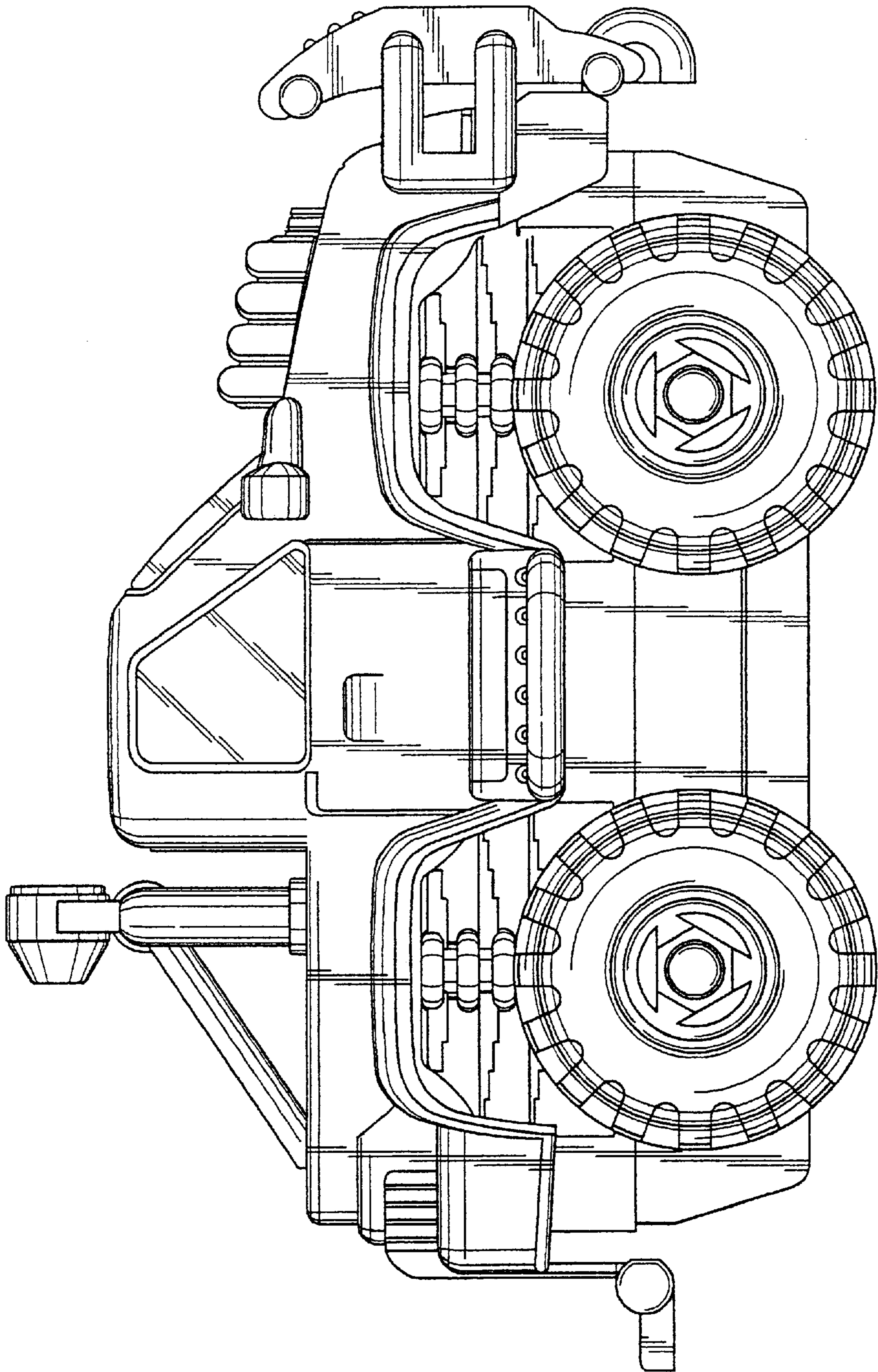


FIG. 3

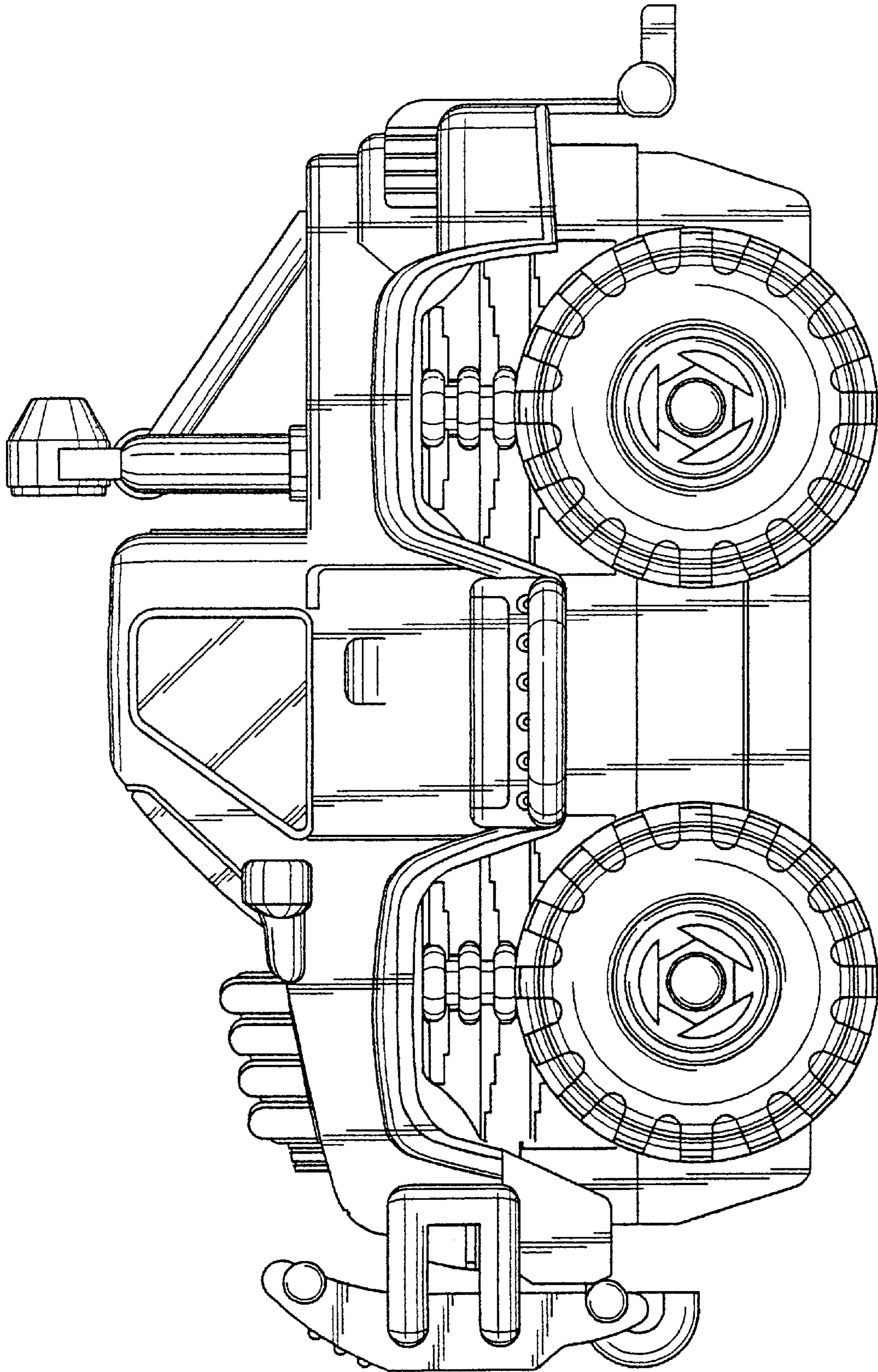


FIG. 4

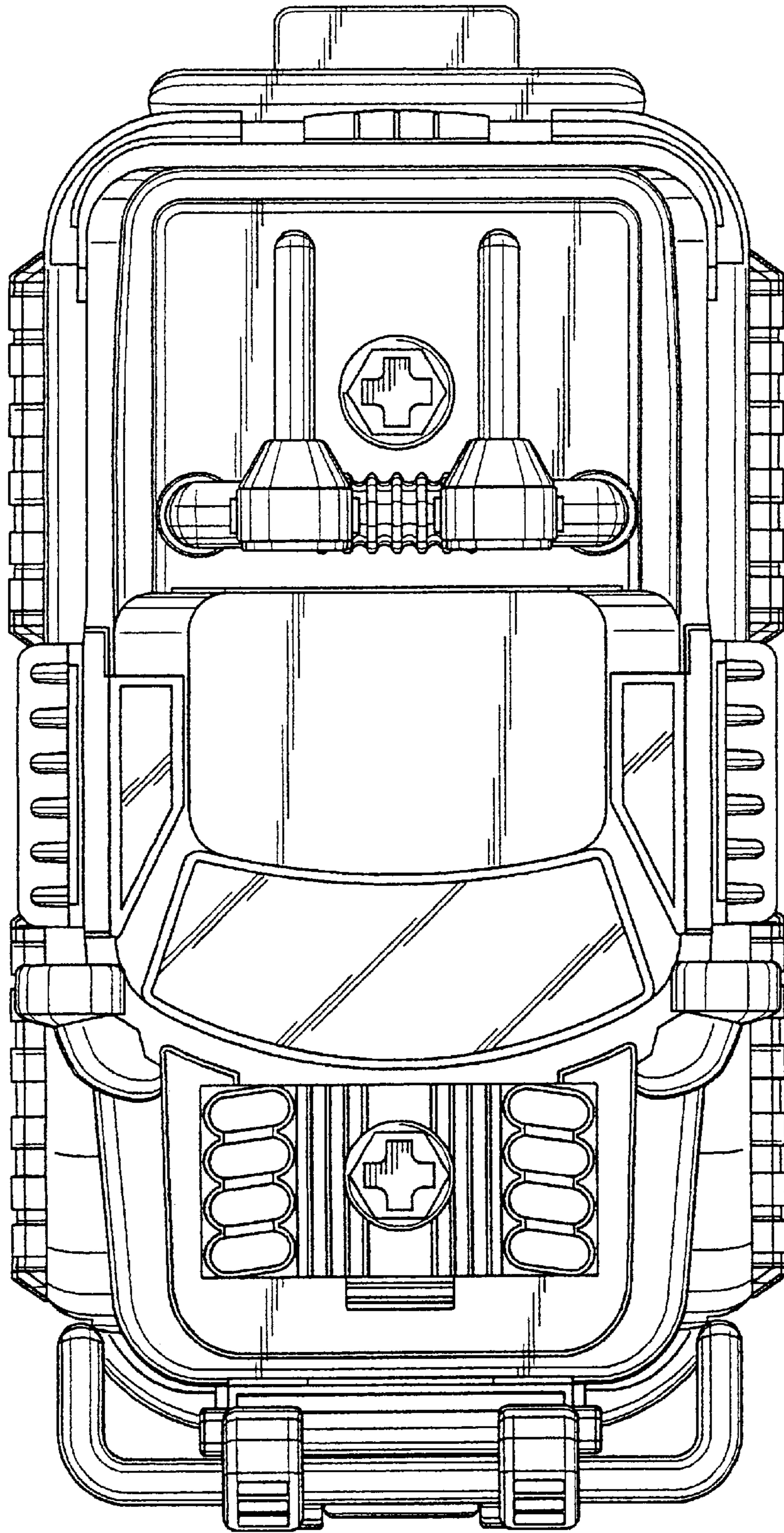


FIG. 5

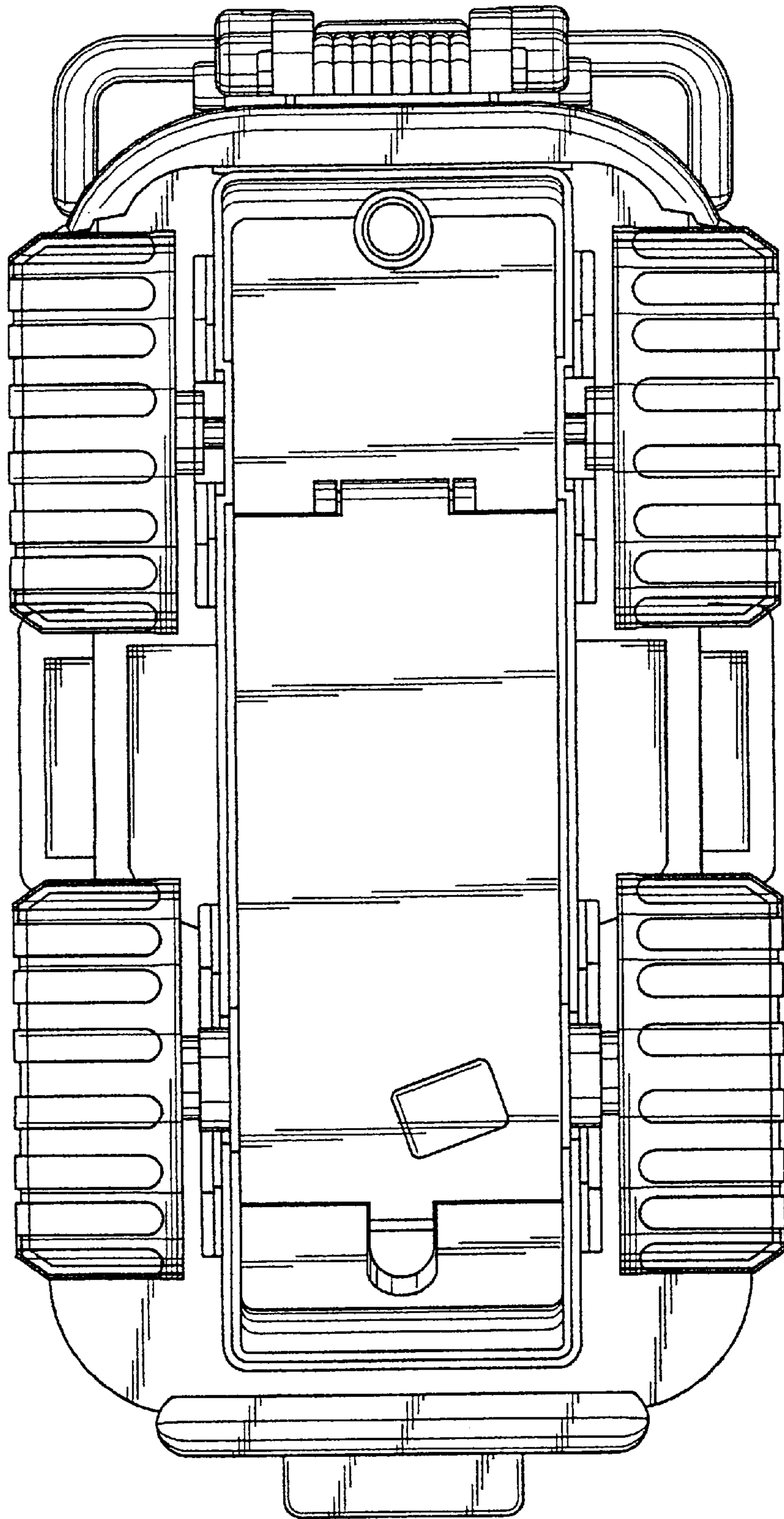


FIG. 6