



US00D454597S

(12) **United States Design Patent**
Michaud

(10) **Patent No.:** **US D454,597 S**

(45) **Date of Patent:** **** Mar. 19, 2002**

(54) **LOTTERY NUMBER DRAWING MACHINE**

D397,731 S * 9/1998 Russell D21/369

(75) Inventor: **David A. Michaud**, New Egypt, NJ
(US)

* cited by examiner

(73) Assignee: **Smartplay International, Inc.**,
Southampton, NJ (US)

Primary Examiner—Sandra L. Morris

(74) *Attorney, Agent, or Firm*—Norman E. Lehrer

(**) Term: **14 Years**

(57) **CLAIM**

The ornamental design for a “lottery number drawing machine”, as shown and described.

(21) Appl. No.: **29/131,845**

DESCRIPTION

(22) Filed: **Oct. 27, 2000**

(51) **LOC (7) Cl.** **21-01**

(52) **U.S. Cl.** **D21/371**

(58) **Field of Search** D21/369–373;
273/144 A, 144 B, 144 R; 463/17, 20, 46,
47

FIG. 1 is a top front left side perspective view of a “lottery number drawing machine” showing my new design;

FIG. 2 is a front elevational view thereof;

FIG. 3 is a right side elevational view thereof, the left side being a mirror image;

FIG. 4 is a top plan view thereof;

FIG. 5 is a rear elevational view thereof;

FIG. 6 is a bottom plan view thereof;

FIG. 7 is a perspective view similar to FIG. 1 of a second embodiment thereof;

FIG. 8 is a perspective view of a third embodiment thereof, and,

FIG. 9 is a perspective view of a fourth embodiment thereof.

(56) **References Cited**

U.S. PATENT DOCUMENTS

D163,323 S	*	5/1951	Rioux	273/144 B
4,961,578 A	*	10/1990	Chateau	273/144 R
D320,817 S	*	10/1991	Darchiville	D21/372
5,121,920 A	*	6/1992	Laezzo et al.	273/144 B
D375,764 S	*	11/1996	Hollinger	D21/371
5,725,212 A	*	3/1998	Garrett	273/144 R

1 Claim, 3 Drawing Sheets

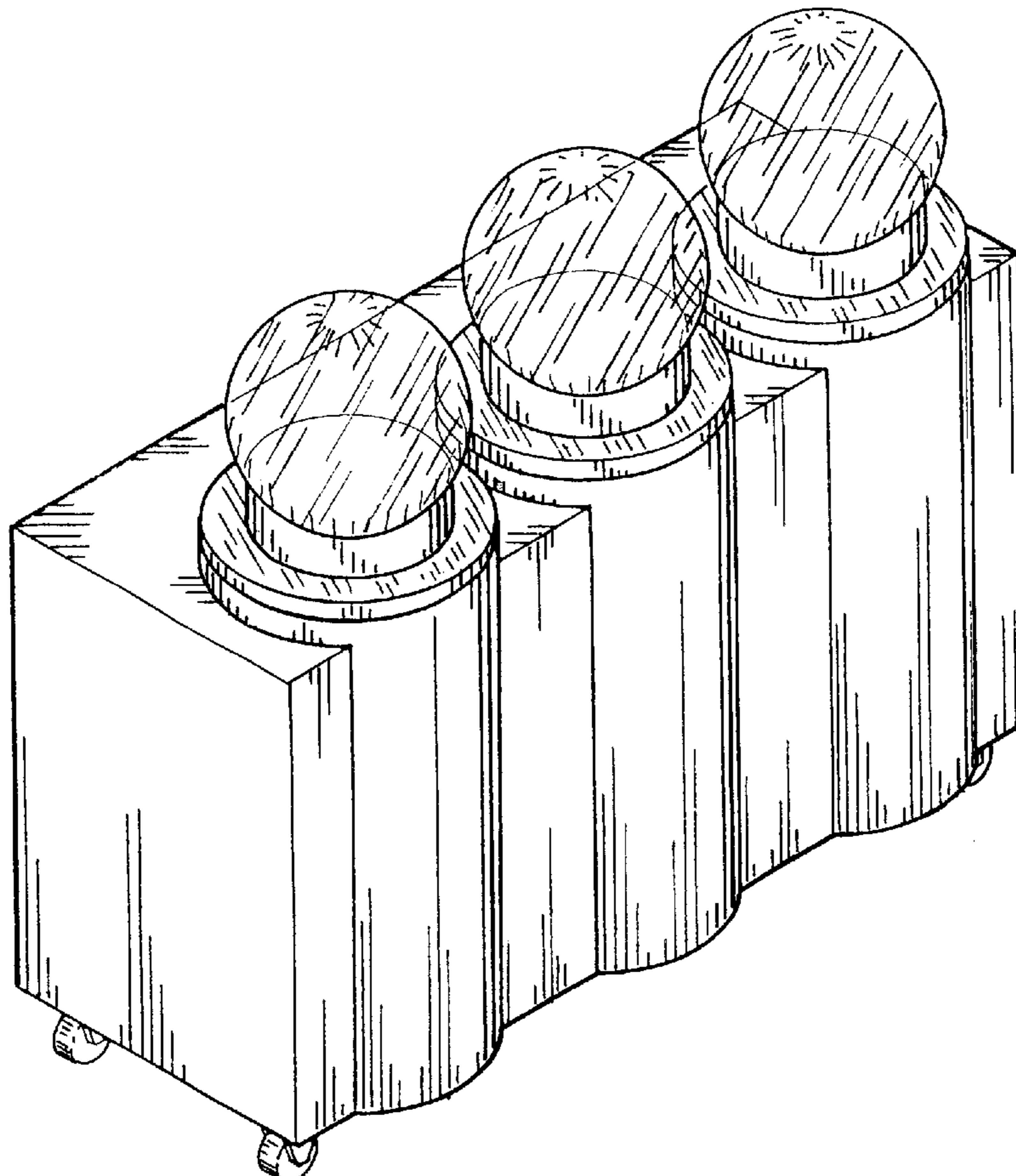


Fig. 1

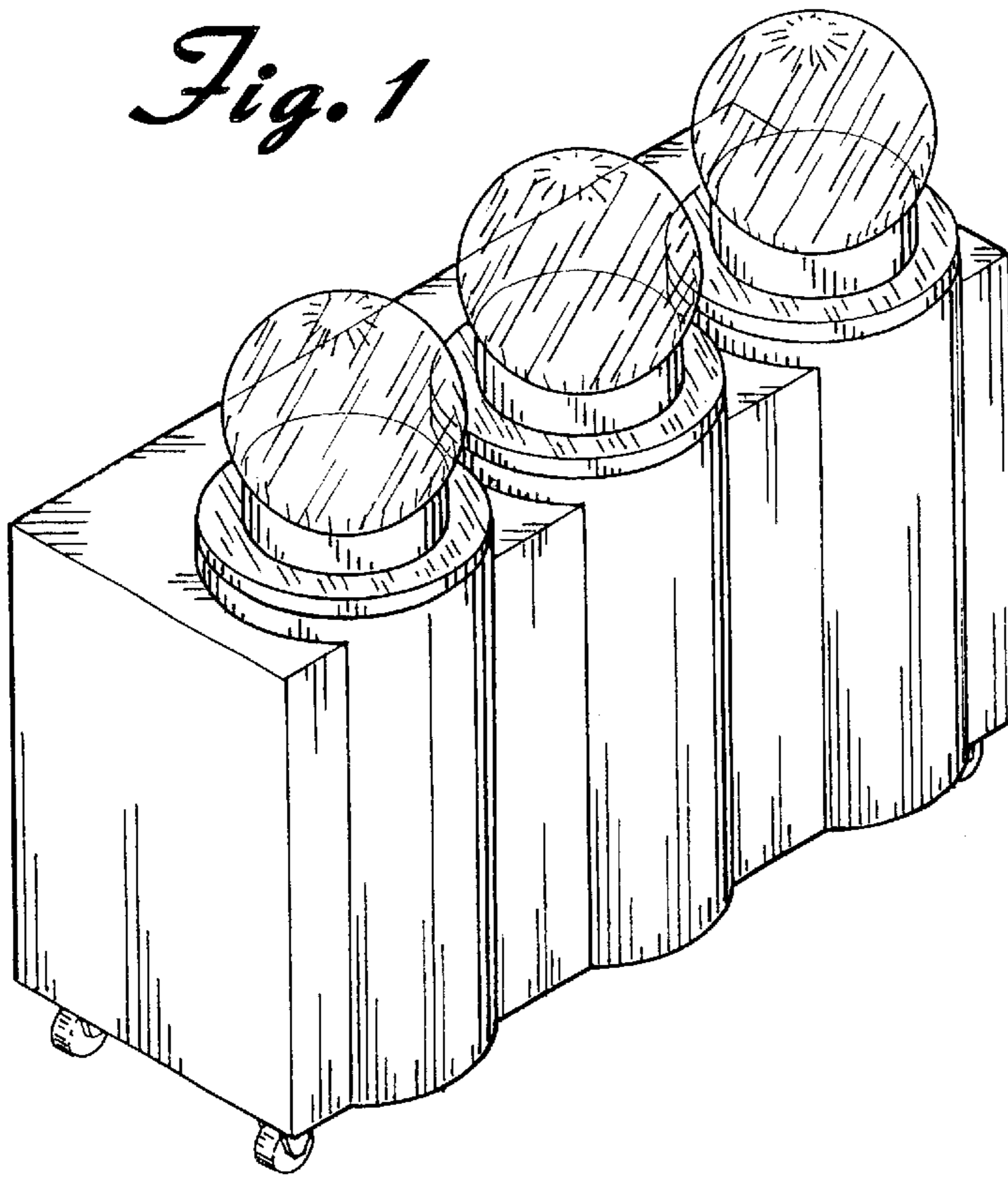


Fig. 3

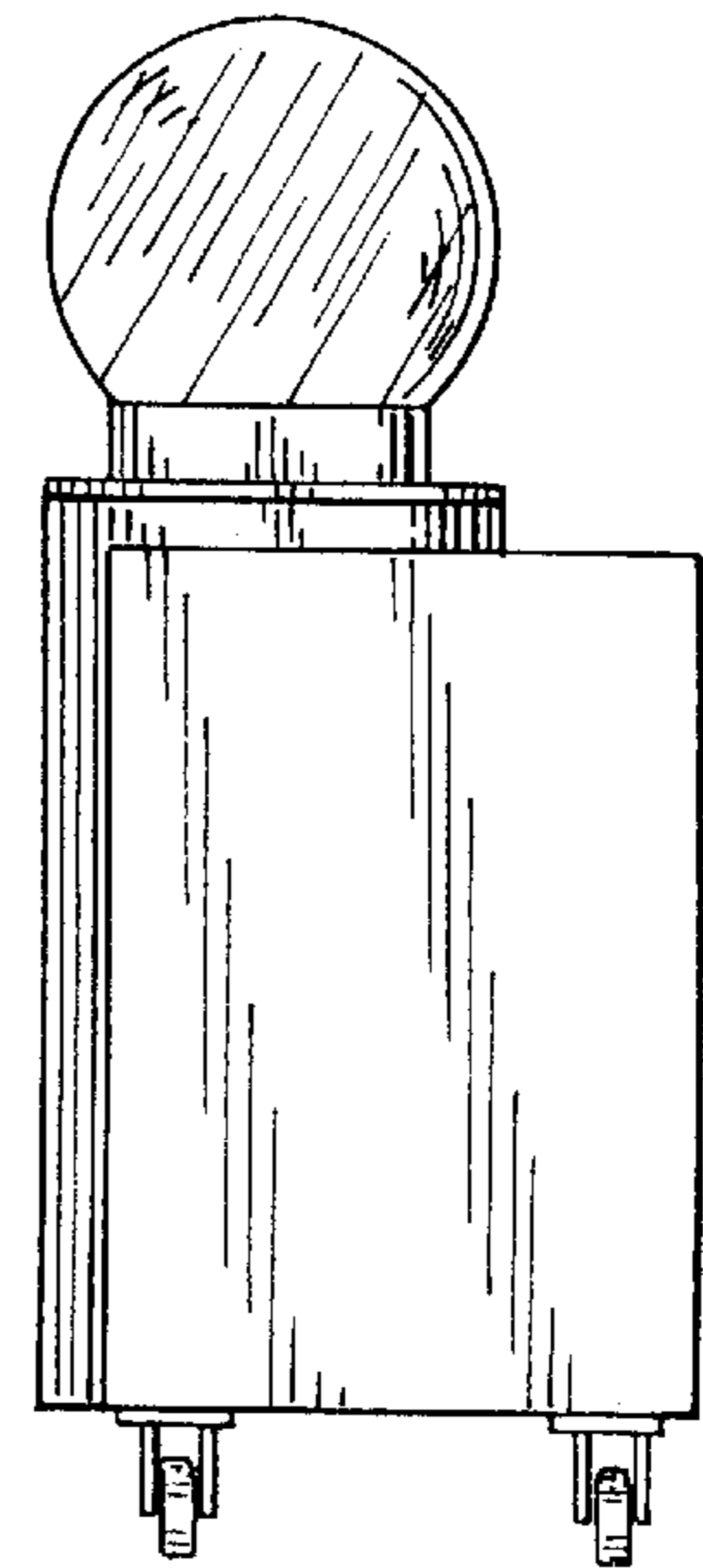


Fig. 2

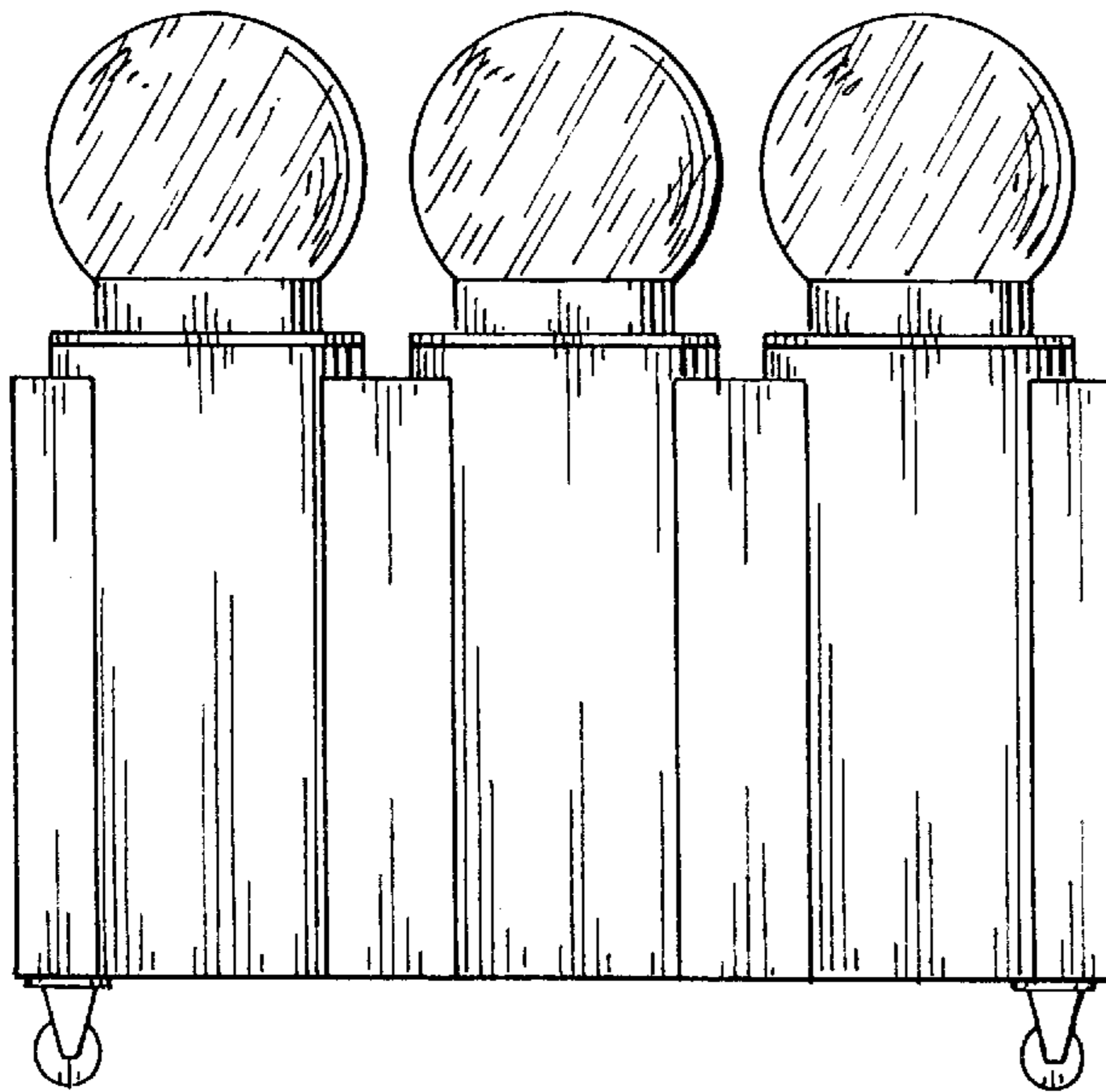


Fig. 4

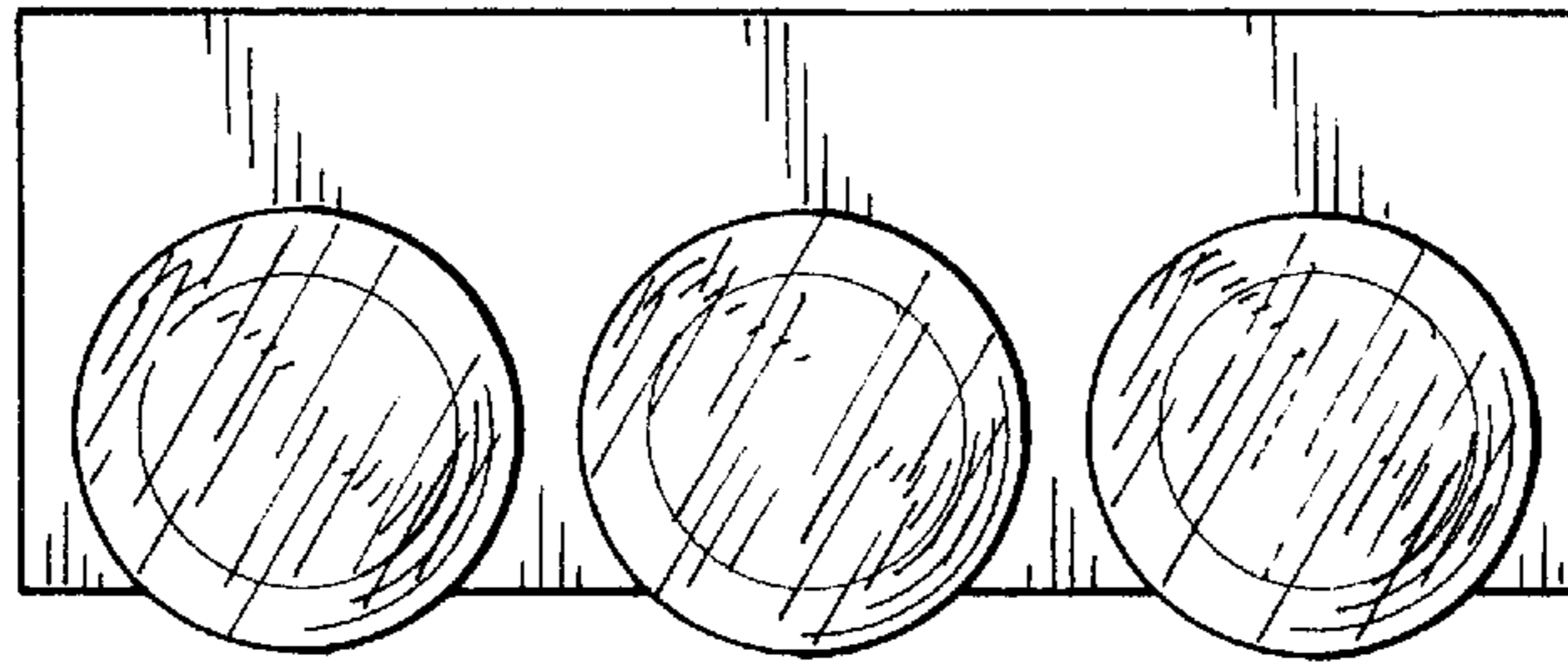


Fig. 5

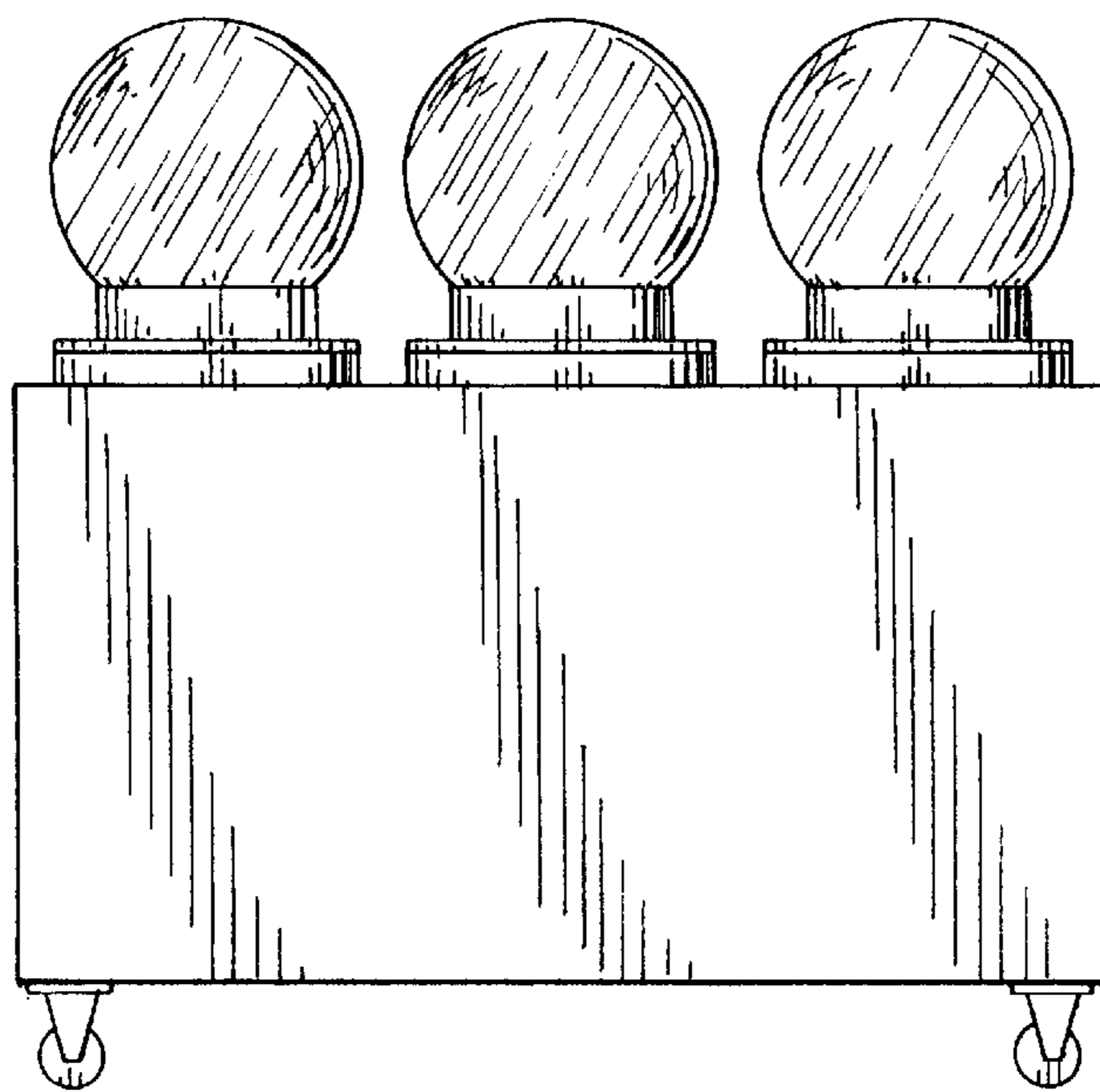


Fig. 6

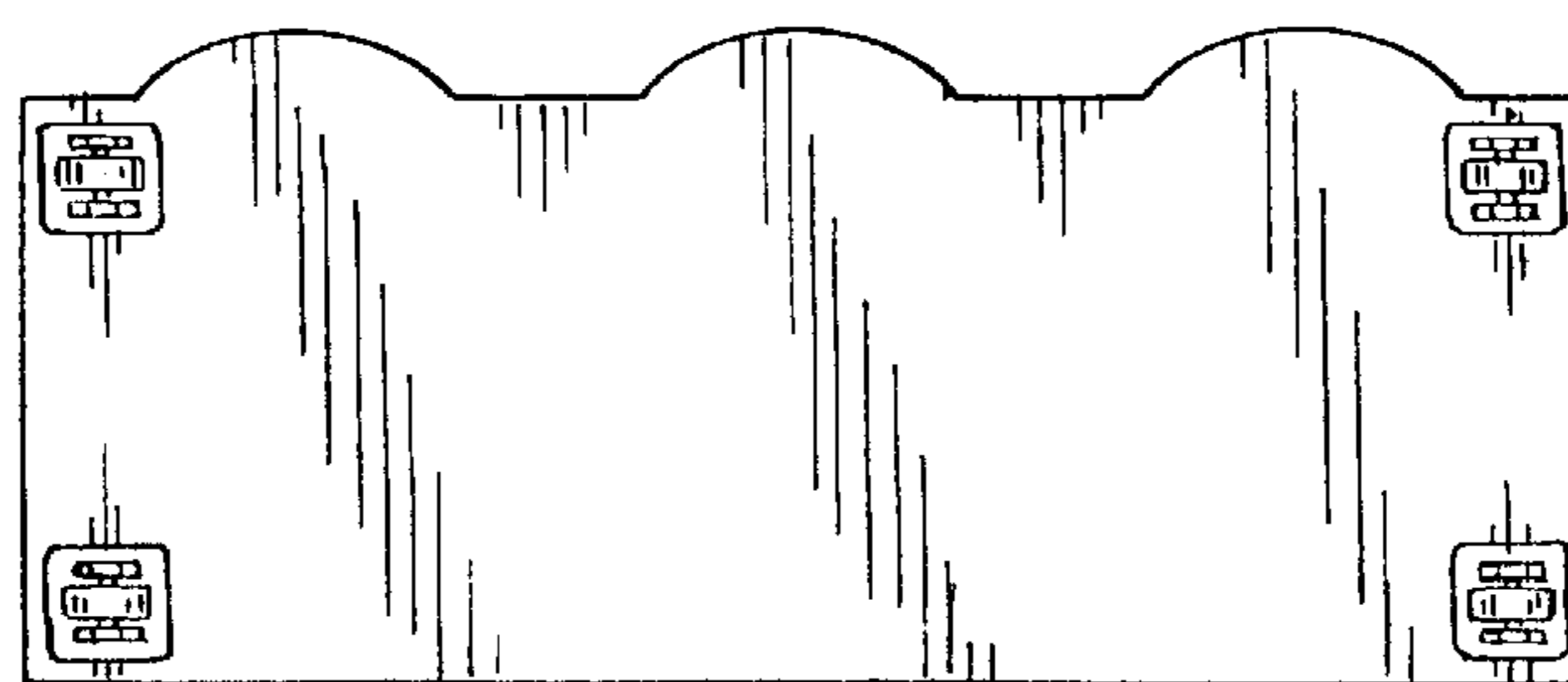


Fig. 9

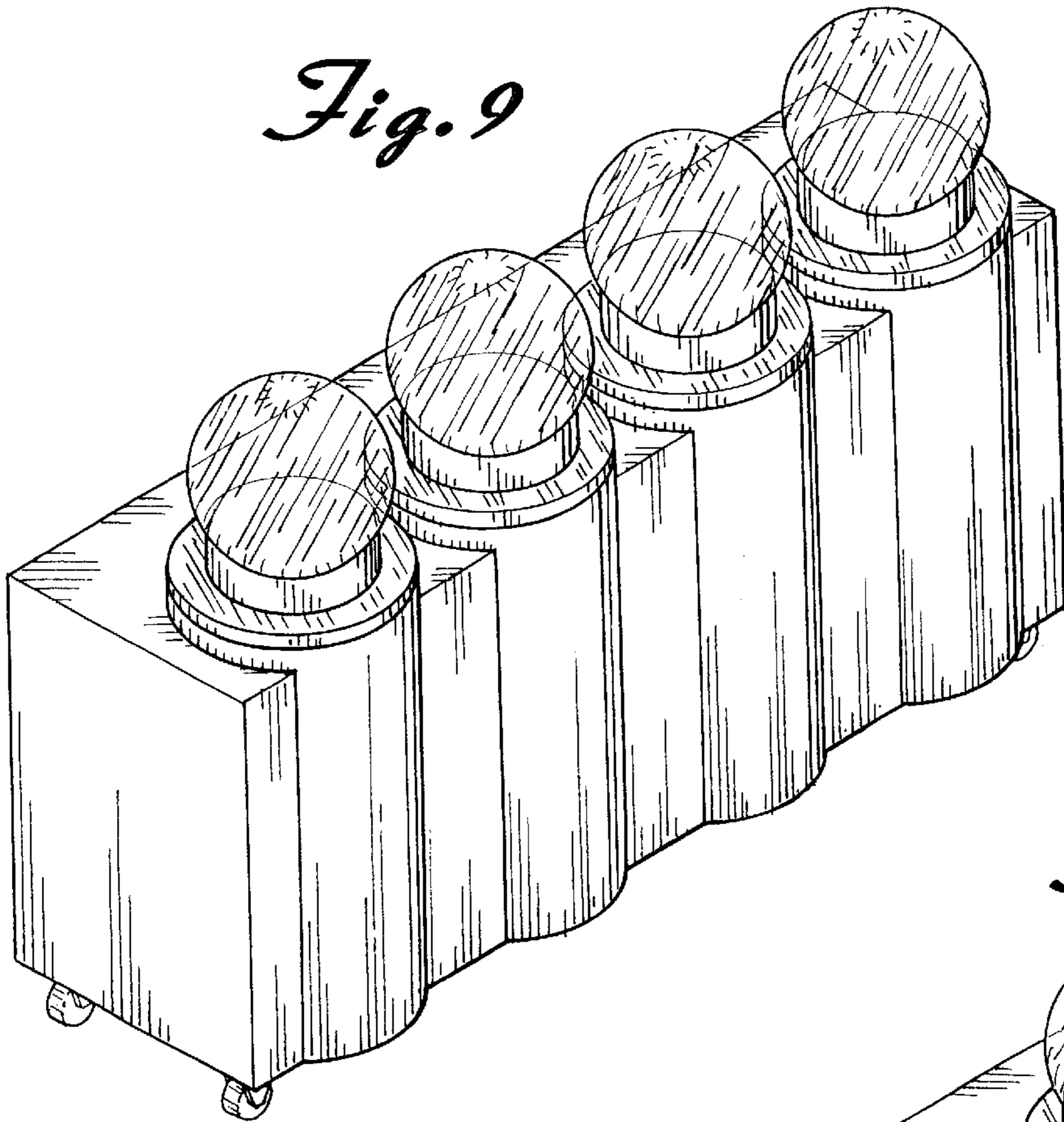


Fig. 7

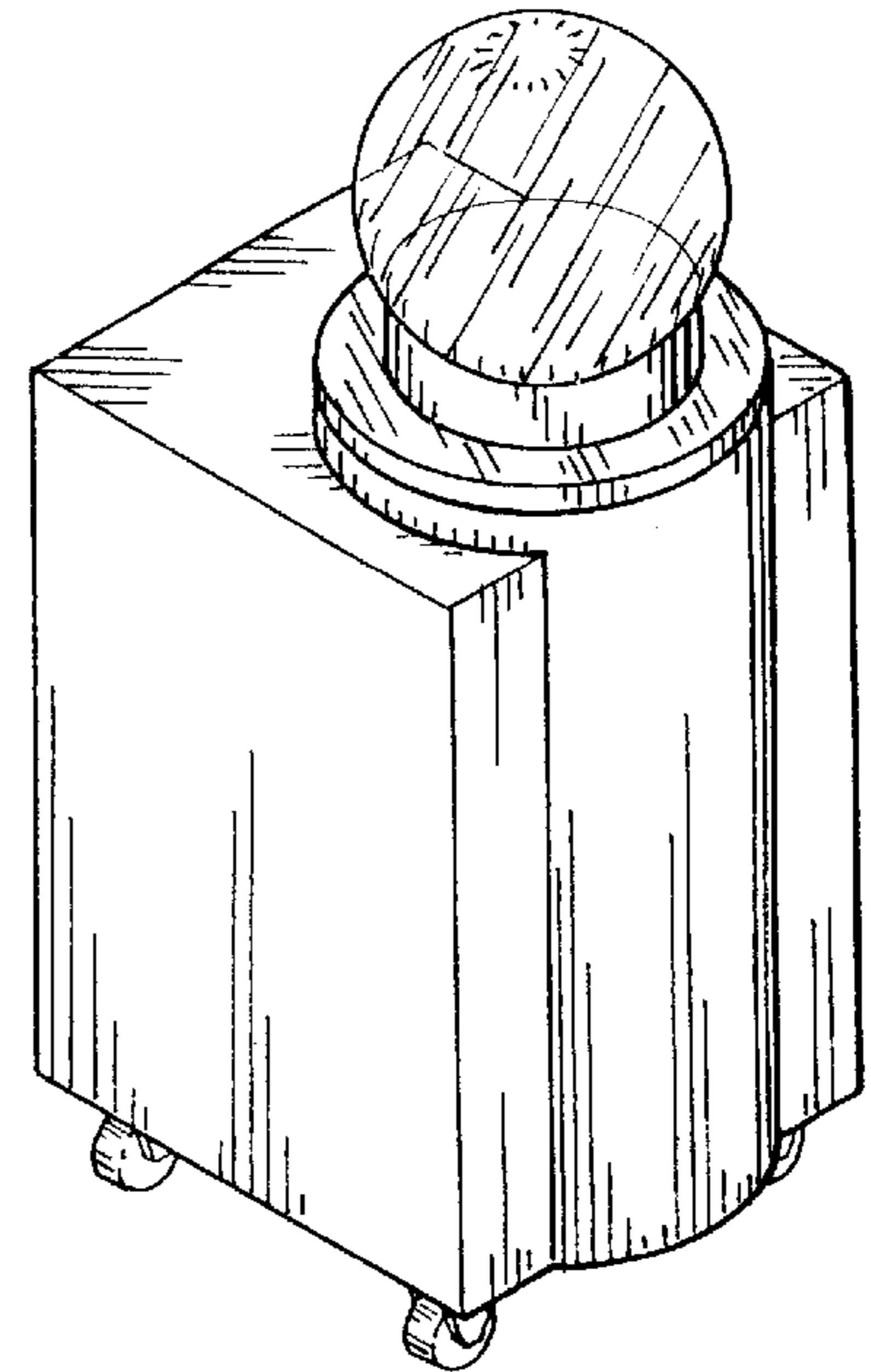


Fig. 8

