



US00D454594S

(12) **United States Design Patent**
Brozak, Jr.

(10) **Patent No.:** **US D454,594 S**

(45) **Date of Patent:** **** Mar. 19, 2002**

(54) **FLOOR COVER MATERIAL DISPLAY**

- (75) Inventor: **Emory N. Brozak, Jr.**, Strongsville, OH (US)
- (73) Assignee: **American Greetings Corp.**, Cleveland, OH (US)
- (**) Term: **14 Years**

- (21) Appl. No.: **29/124,307**
- (22) Filed: **Jun. 2, 2000**

- (51) **LOC (7) Cl.** **20-02**
- (52) **U.S. Cl.** **D20/99**
- (58) **Field of Search** D26/39-50; 362/157, 362/158, 171, 173, 183-208; D20/10, 43, 44; D25/119

(56) **References Cited**

U.S. PATENT DOCUMENTS

- D398,029 S * 9/1998 Falls et al. D20/44
- D437,432 S * 2/2001 Meoli, Jr. D26/37

D439,352 S * 3/2001 Lai D26/37

* cited by examiner

Primary Examiner—Marcus A. Jackson

(74) *Attorney, Agent, or Firm*—Arter & Hadden LLP

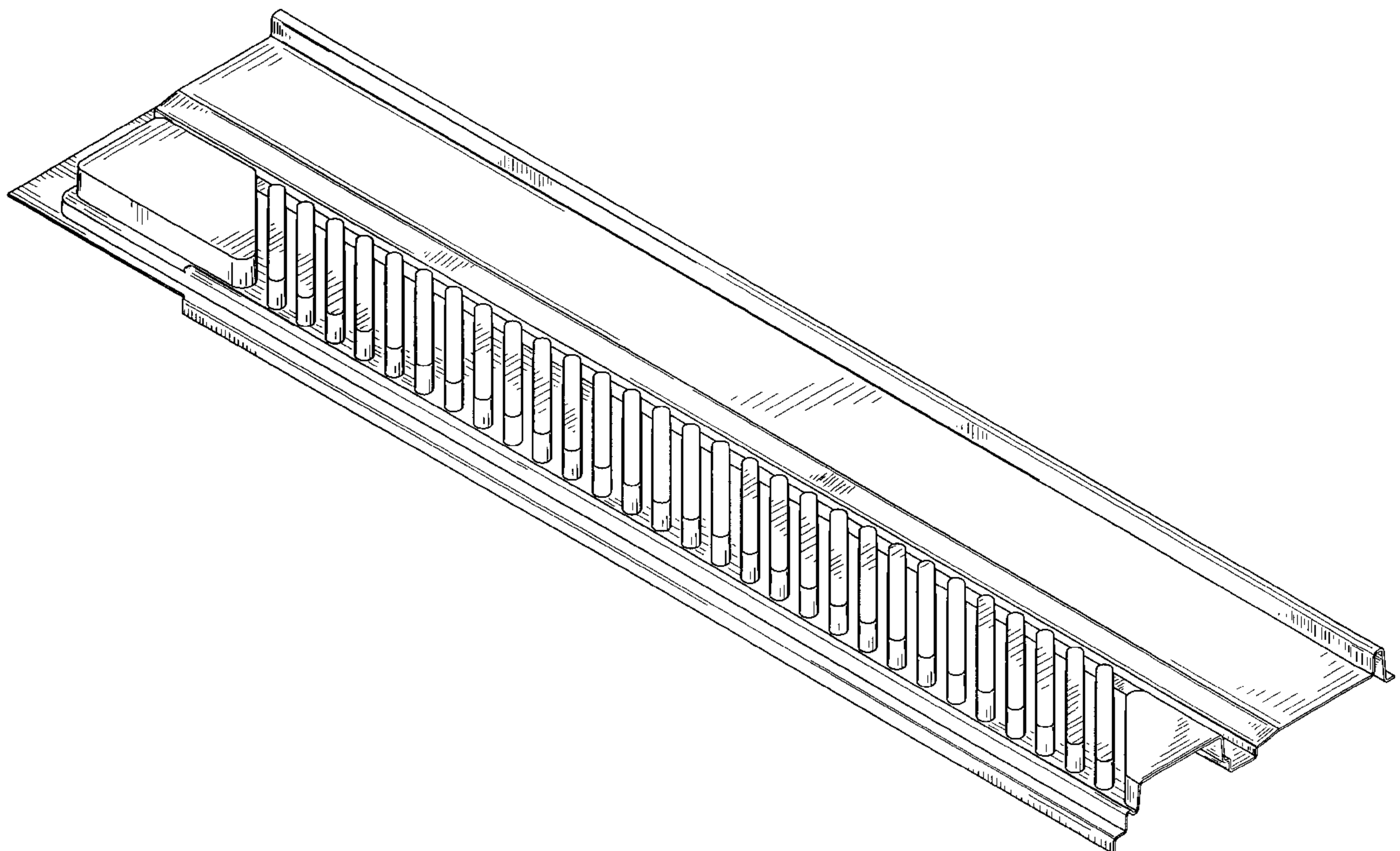
(57) **CLAIM**

What is claimed is the design of the floor cover material display, as shown and described.

DESCRIPTION

FIG. 1 is a perspective view of the floor cover material display of the invention;
 FIG. 2 is a top view of the floor cover material display of the invention;
 FIG. 3 is a front elevation view of the floor cover material display of the invention;
 FIG. 4 is a rear view of the floor cover material display of the invention;
 FIG. 5 is an end view of the floor cover material display of the invention; and,
 FIG. 6 is an end view of the floor cover material display of the invention.

1 Claim, 3 Drawing Sheets



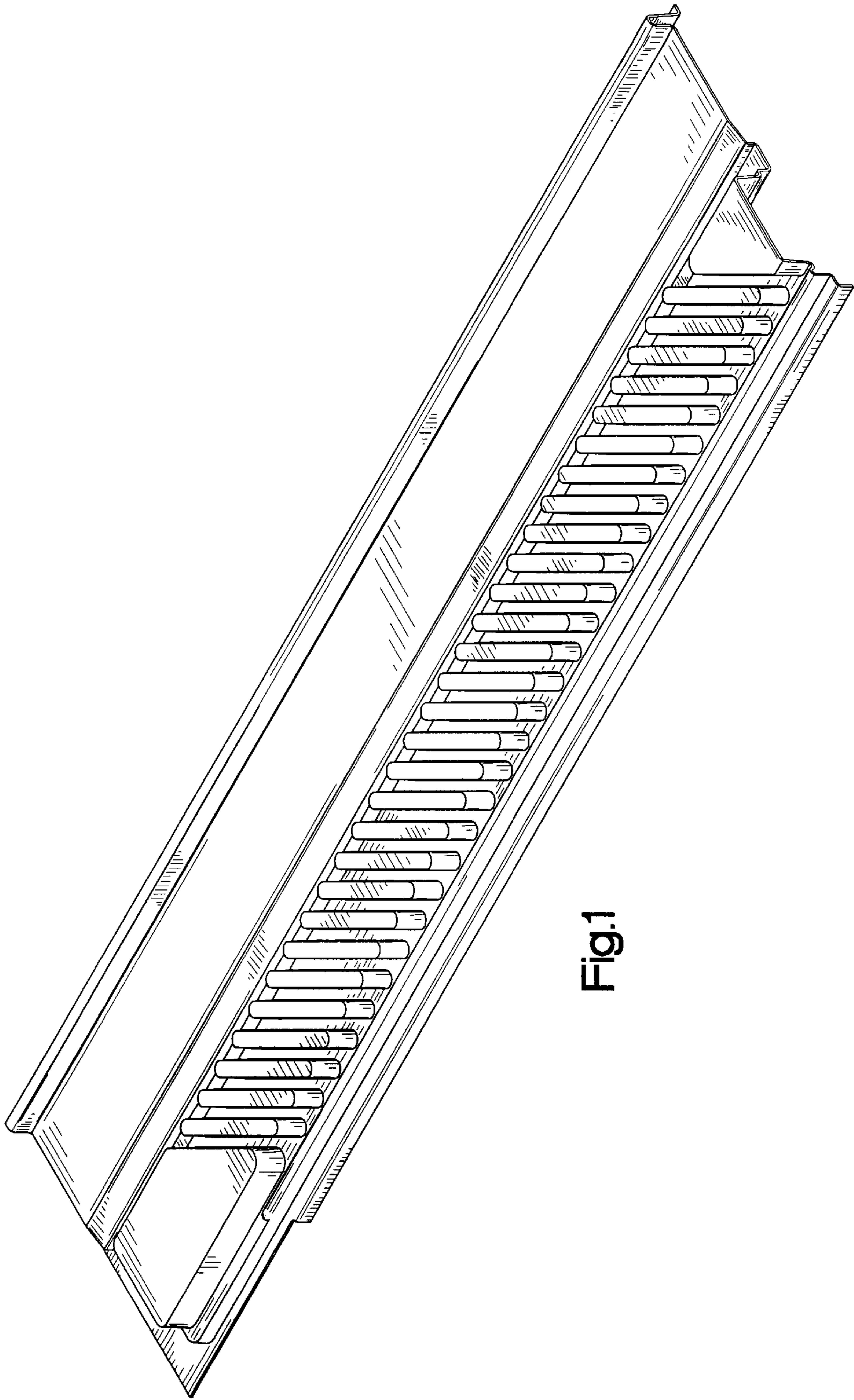


Fig.1

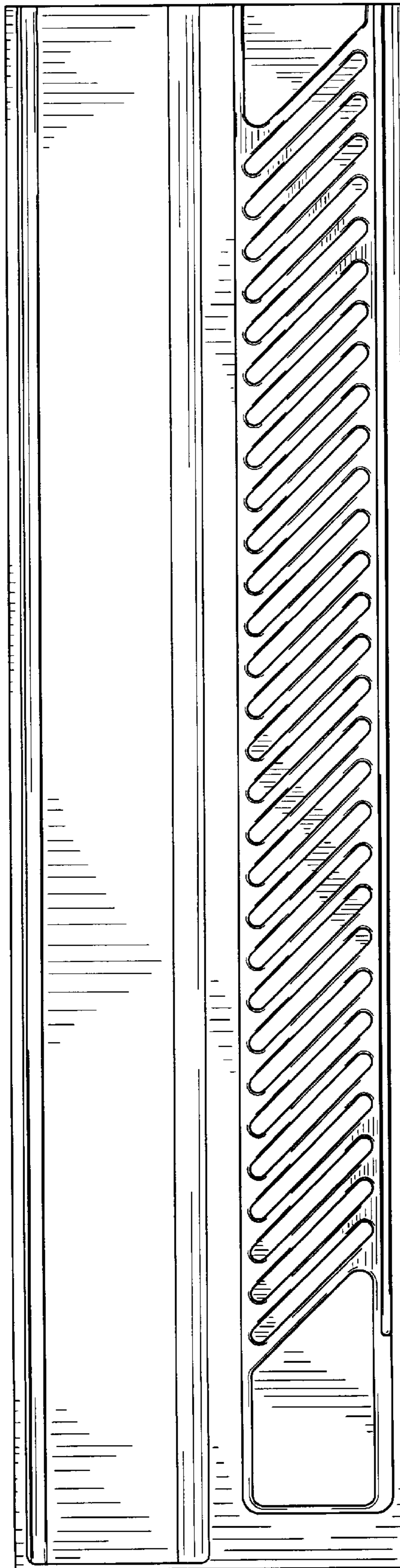


Fig.2

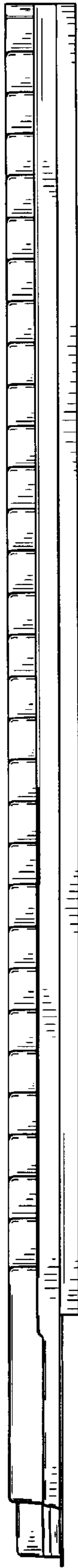


Fig.3

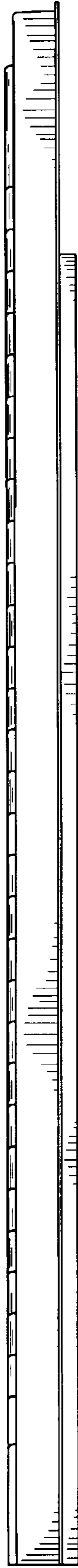


Fig.4

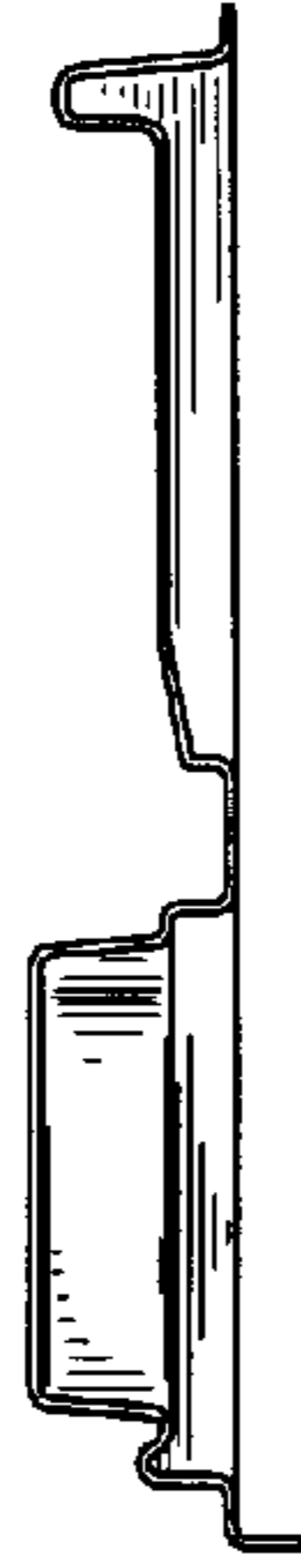


Fig.5

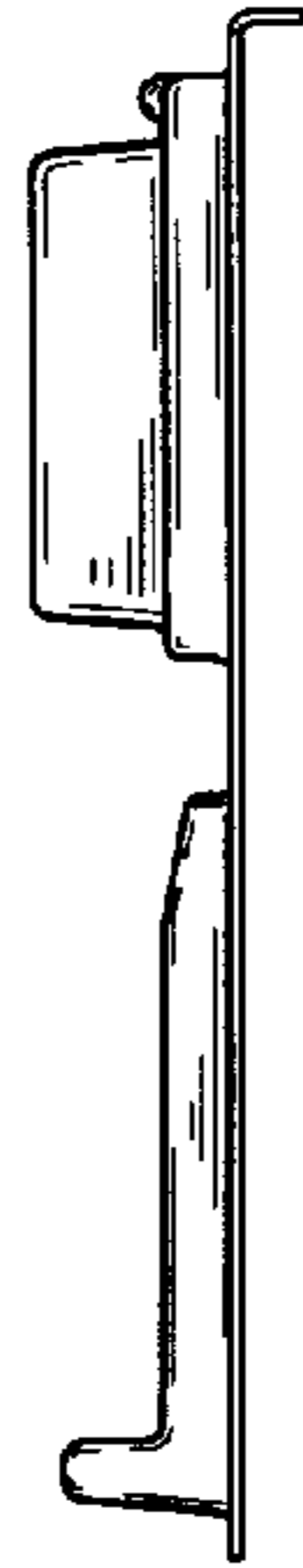


Fig.6