



US00D454593S

(12) **United States Design Patent**
Kosir

(10) **Patent No.:** **US D454,593 S**

(45) **Date of Patent:** **** Mar. 19, 2002**

(54) **SQUARE EDGE SIGN HOLDER**

73, 77-81, 87-89, 91, 93-94, 100-104, 106, 124, 163-165, 177-179 (Circa Mar. 2000).

(75) **Inventor:** **Joseph P. Kosir**, Euclid, OH (US)

* cited by examiner

(73) **Assignee:** **Fasteners for Retail, Inc.**, Cleveland, OH (US)

Primary Examiner—Marcus A. Jackson

(**) **Term:** **14 Years**

(74) *Attorney, Agent, or Firm*—Fay, Sharpe, Fagan, Minnich & McKee, LLP

(21) **Appl. No.:** **29/138,973**

(22) **Filed:** **Mar. 22, 2001**

(57) **CLAIM**

(51) **LOC (7) Cl.** **20-02**

The ornamental design for a square edge sign holder, as shown and described.

(52) **U.S. Cl.** **D20/44**

(58) **Field of Search** D20/10, 43, 44;
40/299, 584, 600, 606, 607, 617, 618, 620,
621, 646, 666; D25/119

DESCRIPTION

(56) **References Cited**

FIG. 1 is a perspective view of a square edge sign holder showing my new design;

U.S. PATENT DOCUMENTS

FIG. 2 is a right side elevational view thereof, with a left side elevational view being a mirror image thereof;

D175,481 S	*	8/1955	Slavsky	D20/44
4,557,064 A		12/1985	Thompson		
D322,634 S	*	12/1991	Callas	D20/44

FIG. 3 is a top plan view thereof;

FIG. 4 is a bottom plan view thereof; and,

OTHER PUBLICATIONS

Fasteners For Retail Brochure entitled "FFR Yellow Pages—The World's Largest Resource For Display Accessories and Custom Solutions", Cover, pp. 17, 38-40, 59, 61,

FIG. 5 is a left end elevational view thereof, with a right end elevational view being identical thereto.

1 Claim, 2 Drawing Sheets

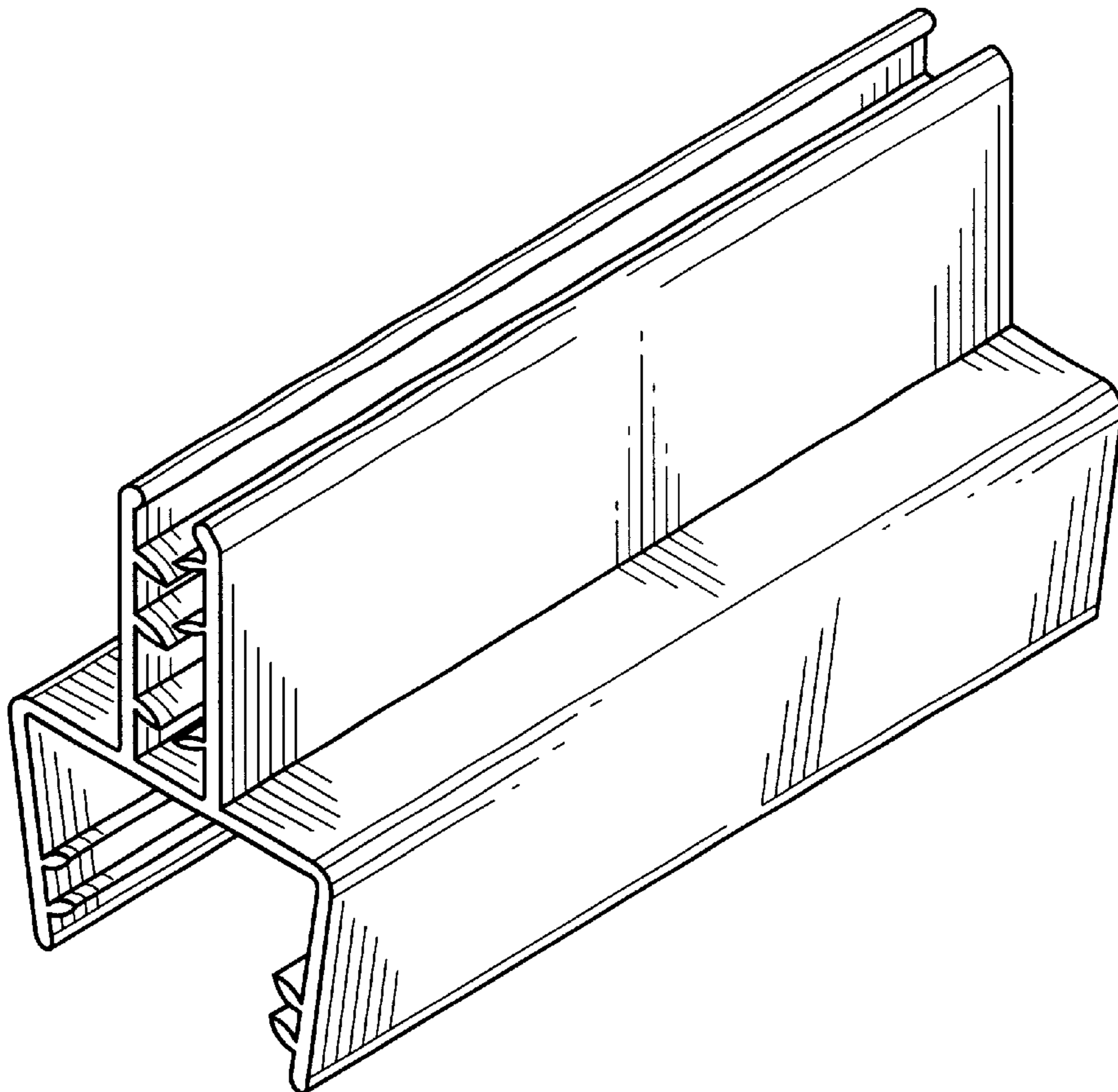


FIG. 1

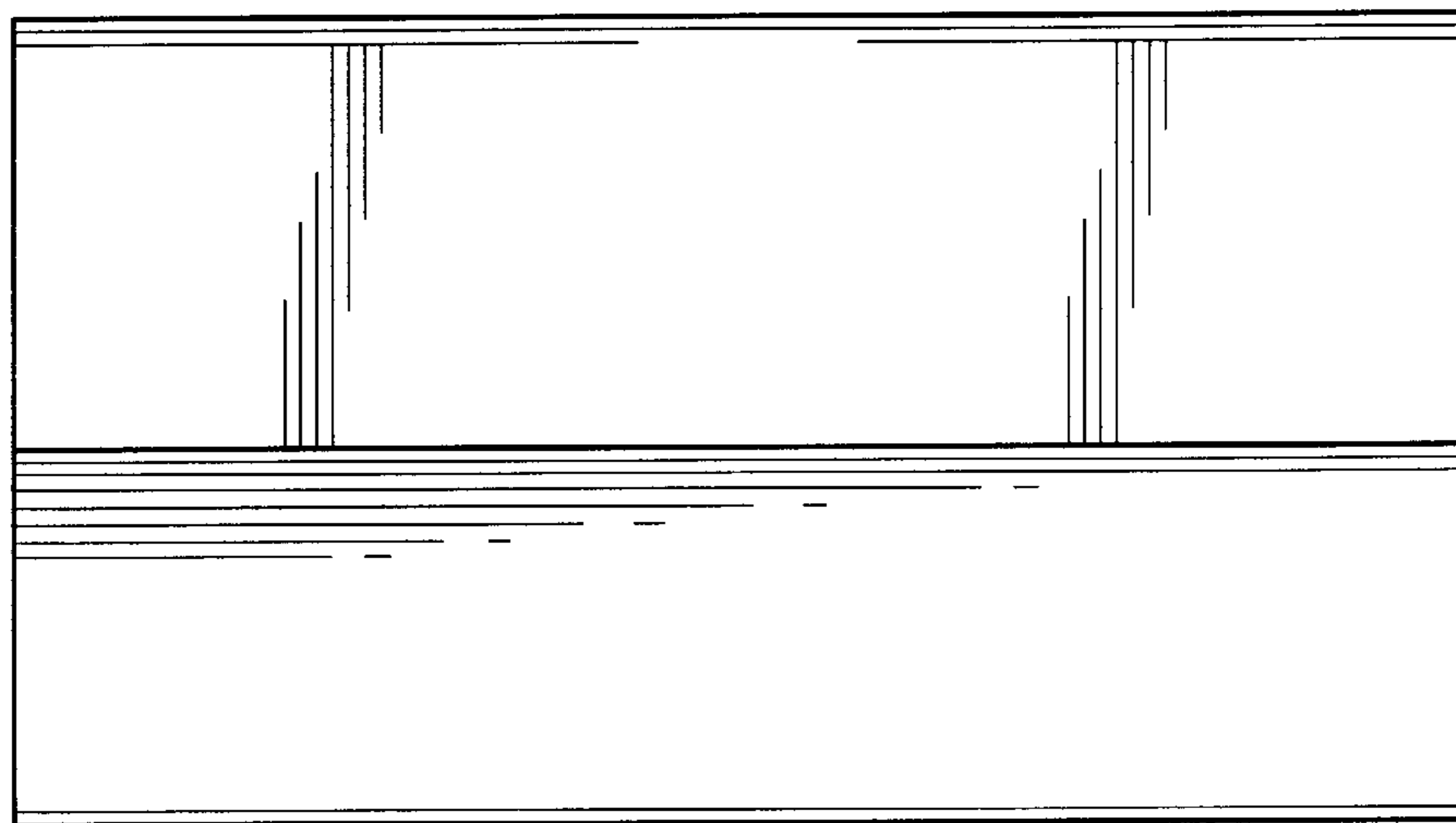
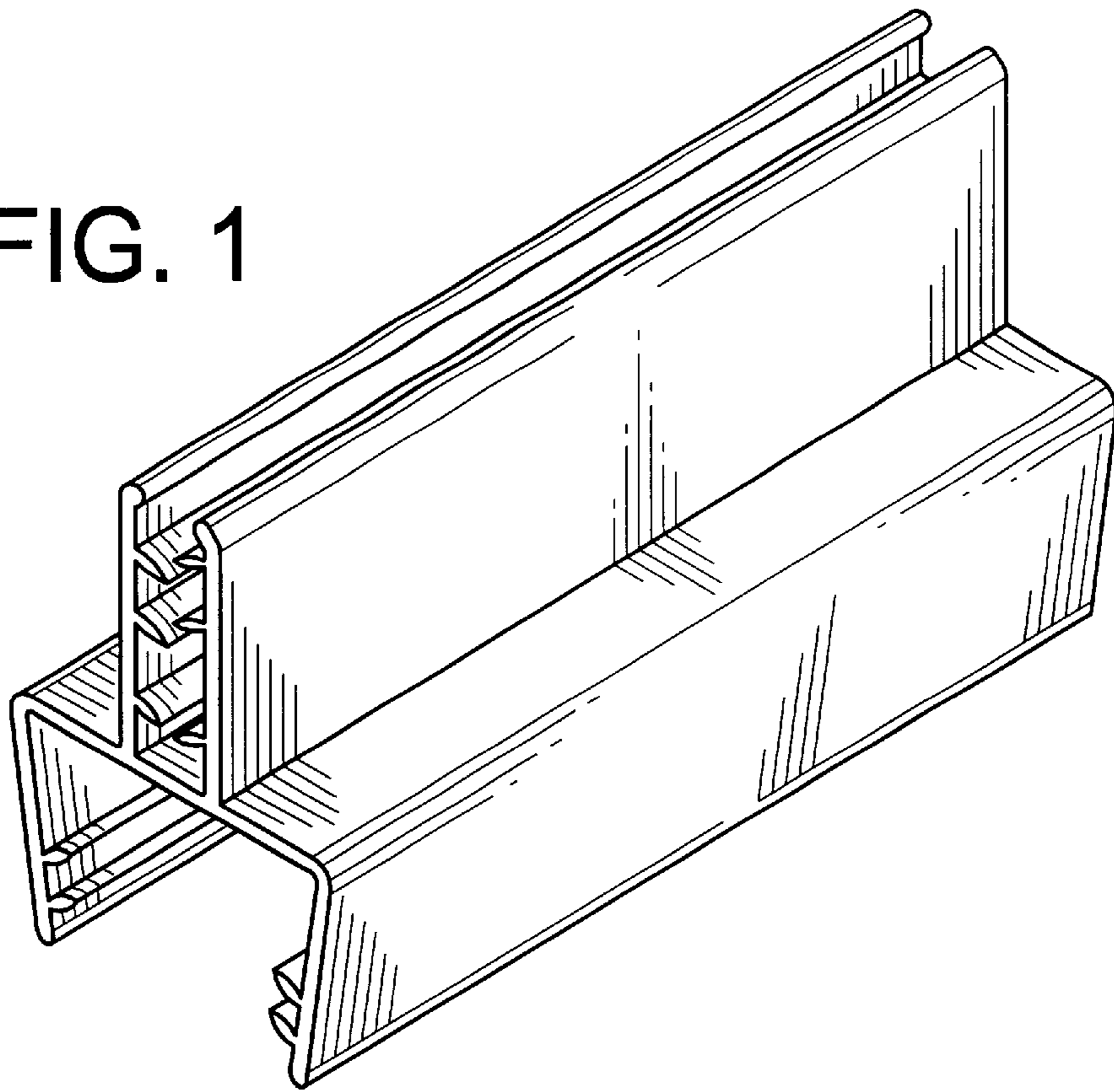


FIG. 2

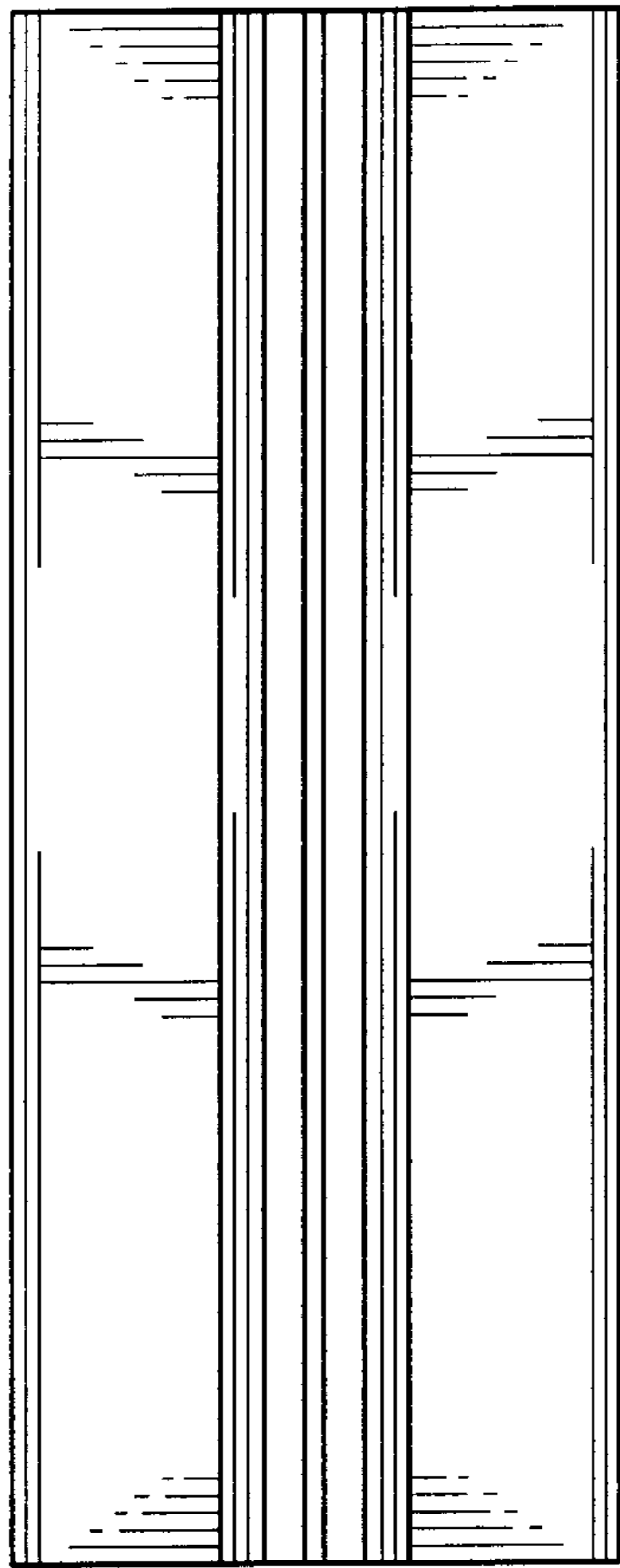


FIG. 3

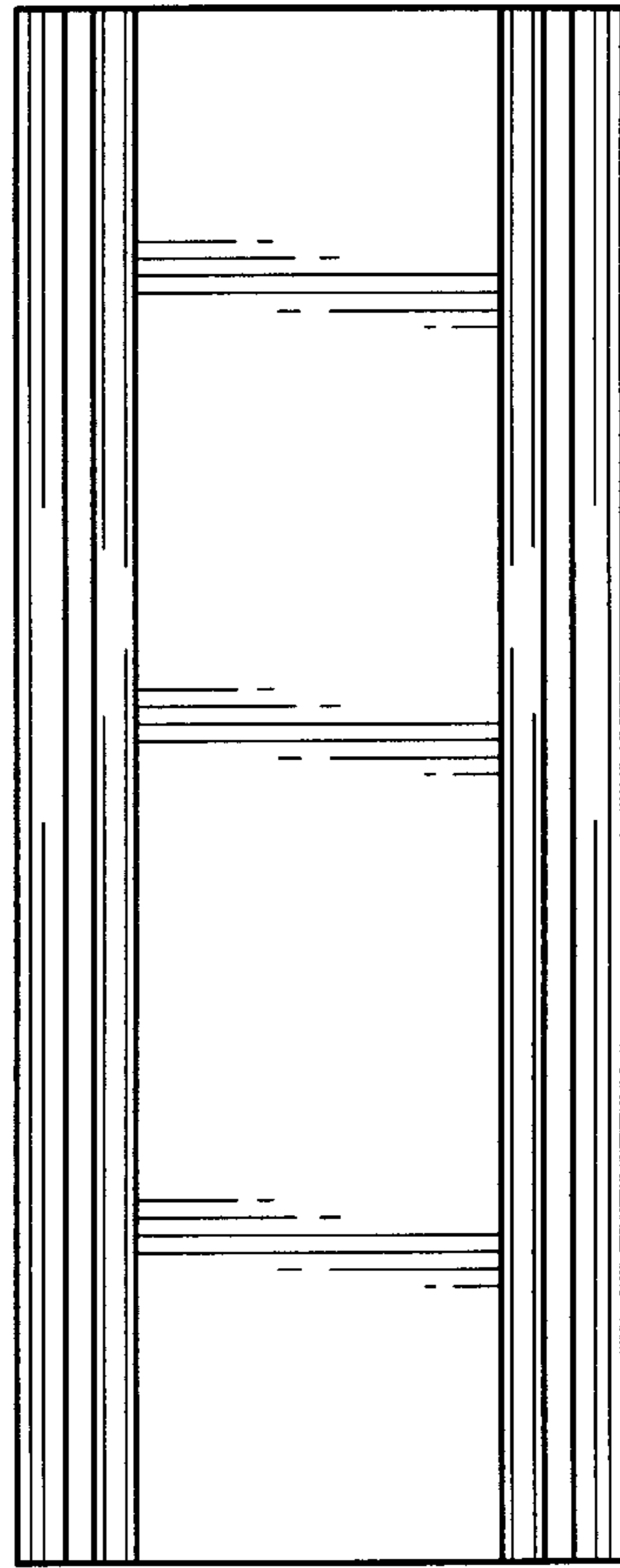


FIG. 4

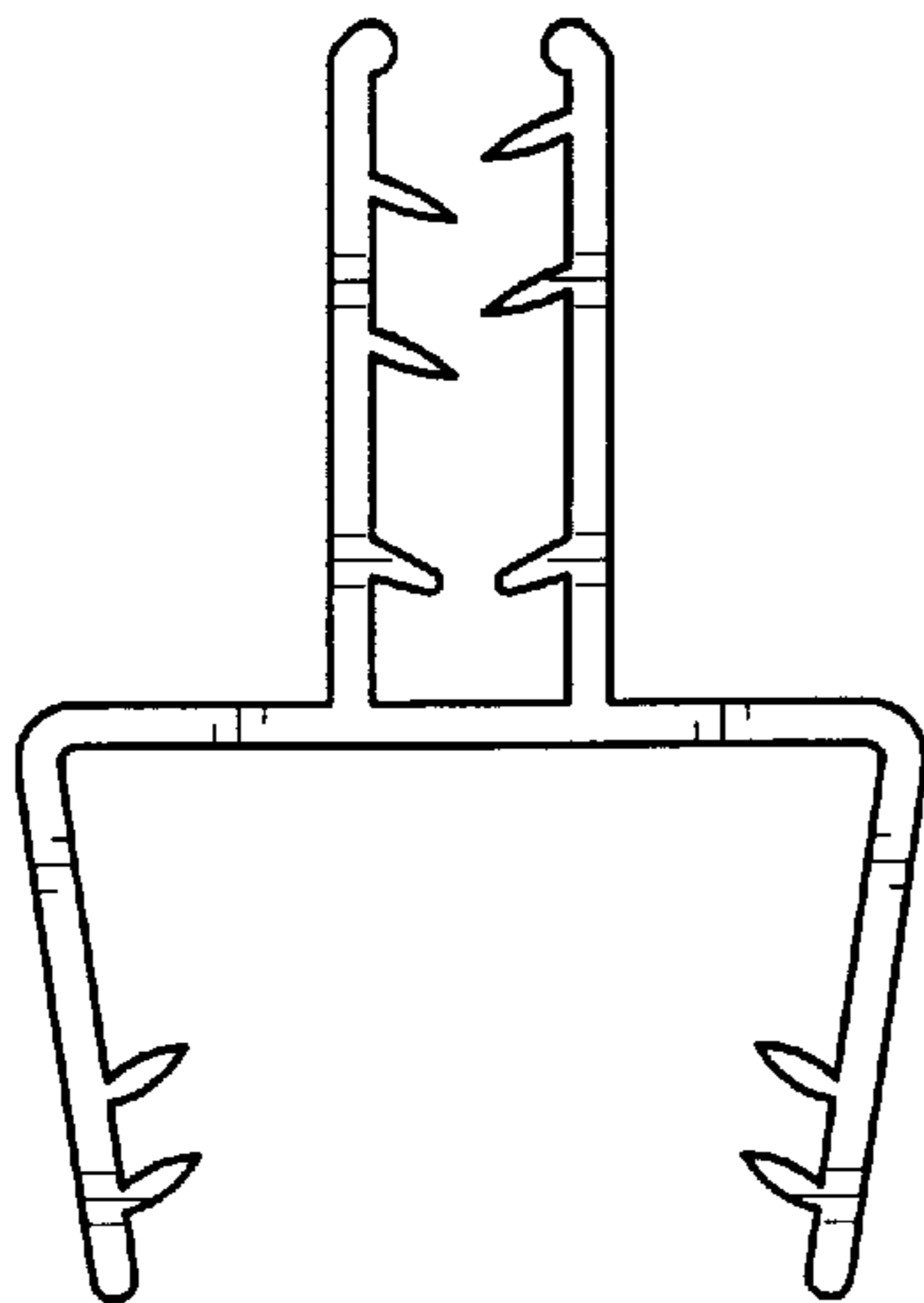


FIG. 5