



US00D454592S

(12) **United States Design Patent**
Carlson et al.

(10) **Patent No.:** **US D454,592 S**
(45) **Date of Patent:** **** Mar. 19, 2002**

(54) **NOTE DISPENSER**

(75) Inventors: **Casey L. Carlson**, Edina; **Daniel E. Siltberg**, White Bear Township, both of MN (US); **Kevin C. Coullahan**, Santa Cruz, CA (US); **Chris Green**, San Francisco, CA (US); **Treasure L. Hinds**, Santa Cruz, CA (US); **Milind V. Pawar**, Santa Clara, CA (US)

(73) Assignee: **3M Innovative Properties Company**, St. Paul, MN (US)

(**) Term: **14 Years**

(21) Appl. No.: **29/135,663**

(22) Filed: **Jan. 16, 2001**

(51) **LOC (7) Cl.** **19-02**

(52) **U.S. Cl.** **D19/92**

(58) **Field of Search** D3/304; D19/75, D19/78, 86, 90, 91, 92, 99, 100, 65; 206/215, 425, 555, 557; 211/10, 11, 126.1, 126.2, 126.4, 126.5, 126.6, 126.7; 281/44

(56) **References Cited**

U.S. PATENT DOCUMENTS

4,696,399 A 9/1987 Windorski 206/565
4,848,584 A 7/1989 Windorski 206/565
D331,424 S * 12/1992 Evenson D19/86

D362,687 S * 9/1995 Kirchhoff et al. D19/86
D362,688 S * 9/1995 Wolff D19/86
D393,002 S * 3/1998 Mandar D19/86
6,155,469 A * 12/2000 Johnson et al. D19/78

* cited by examiner

Primary Examiner—Doris V. Coles
Assistant Examiner—Elizabeth A. Albert
(74) *Attorney, Agent, or Firm*—Michaele A. Hakamaki

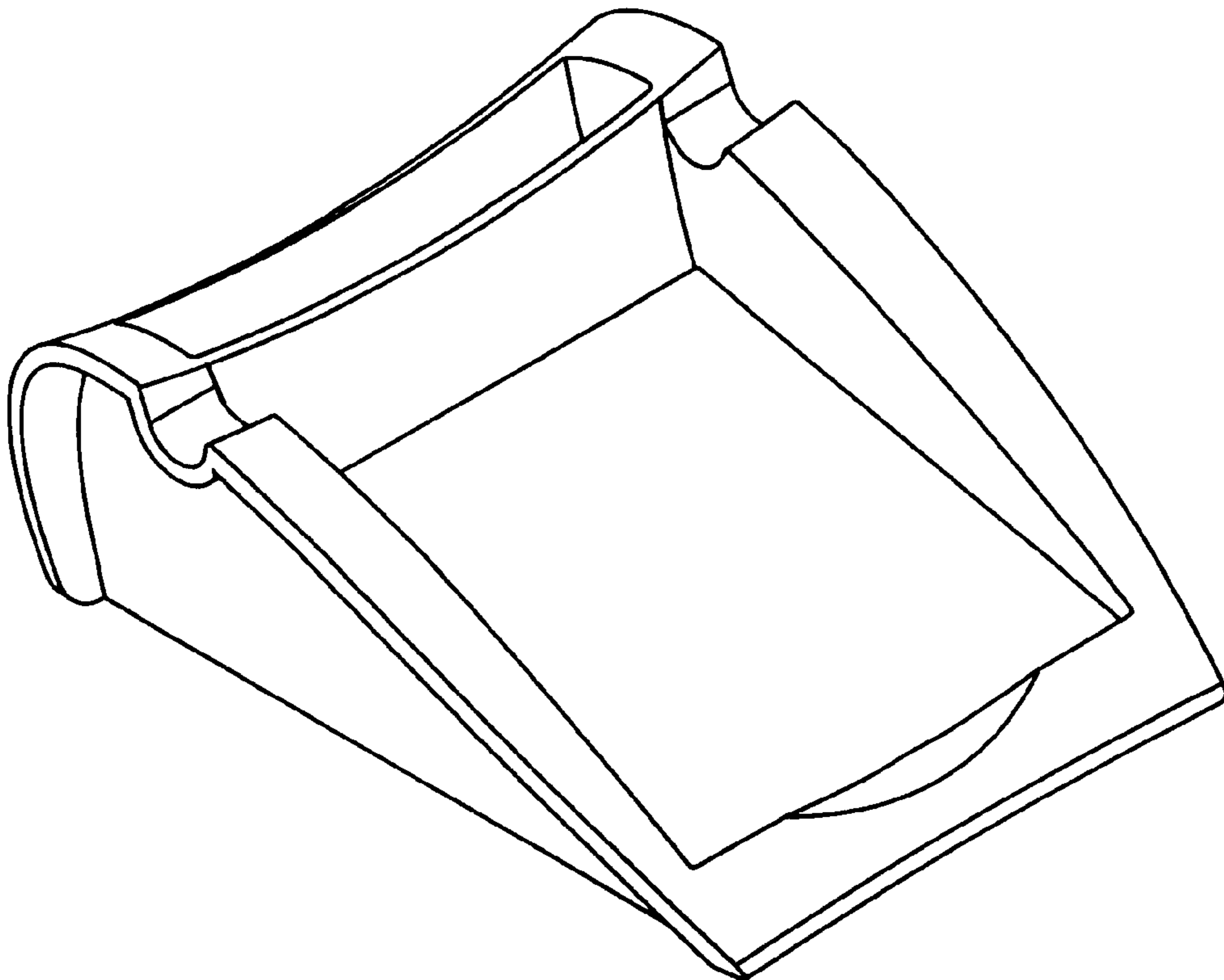
(57) **CLAIM**

The ornamental design for a note dispenser, as shown and described.

DESCRIPTION

FIG. 1 is an isometric view of a first embodiment of a note dispenser according to the present invention; FIG. 2 is a top plan view of the note dispenser illustrated in FIG. 1; FIG. 3 is a front view of the note dispenser illustrated in FIG. 1; FIG. 4 is a rear view of the note dispenser illustrated in FIG. 1; FIG. 5 is a left side view of the note dispenser illustrated in FIG. 1, the right side view being the mirror image thereof; and, FIG. 6 is a bottom plan view of the note dispenser illustrated in FIG. 1.

1 Claim, 2 Drawing Sheets



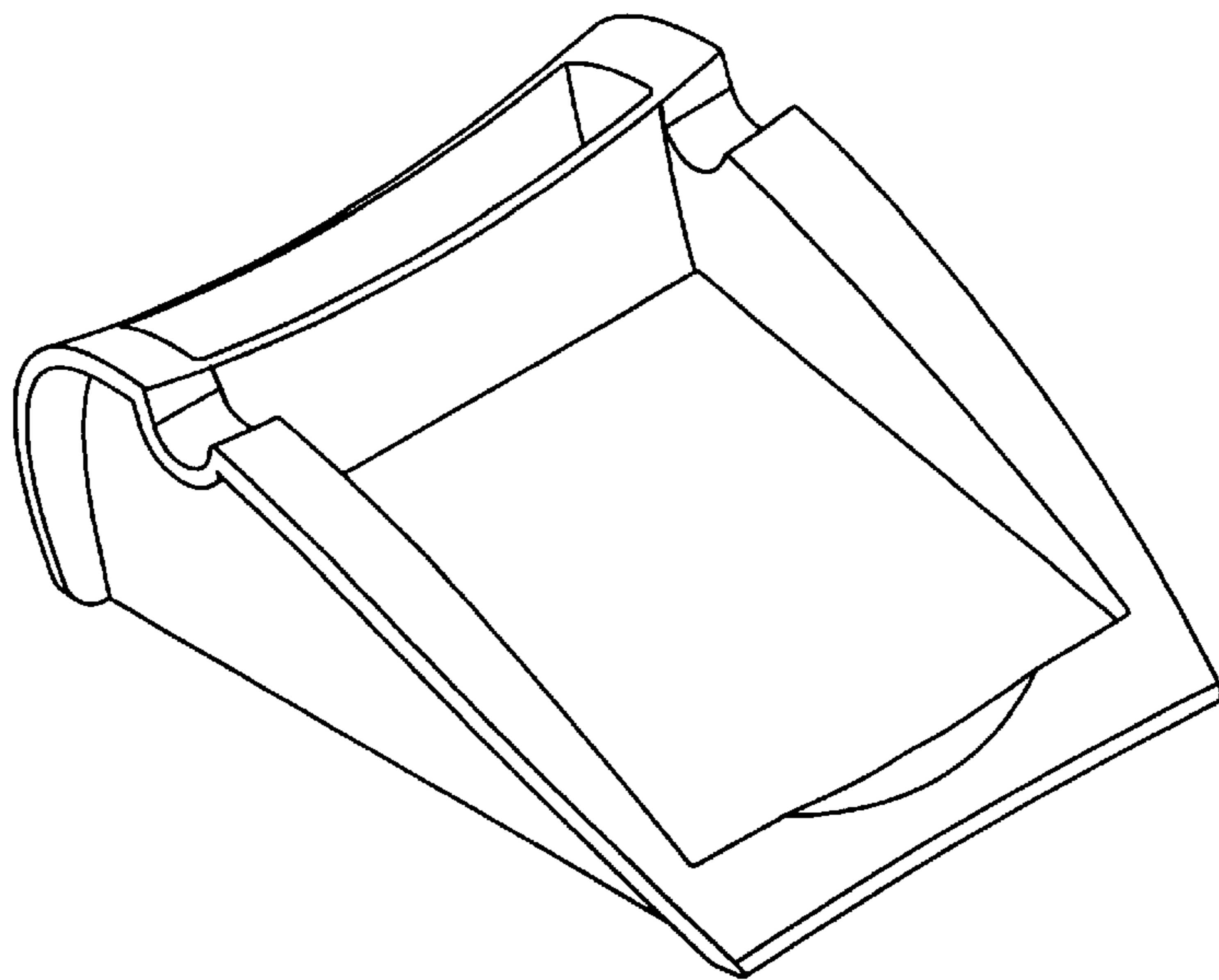


Fig. 1

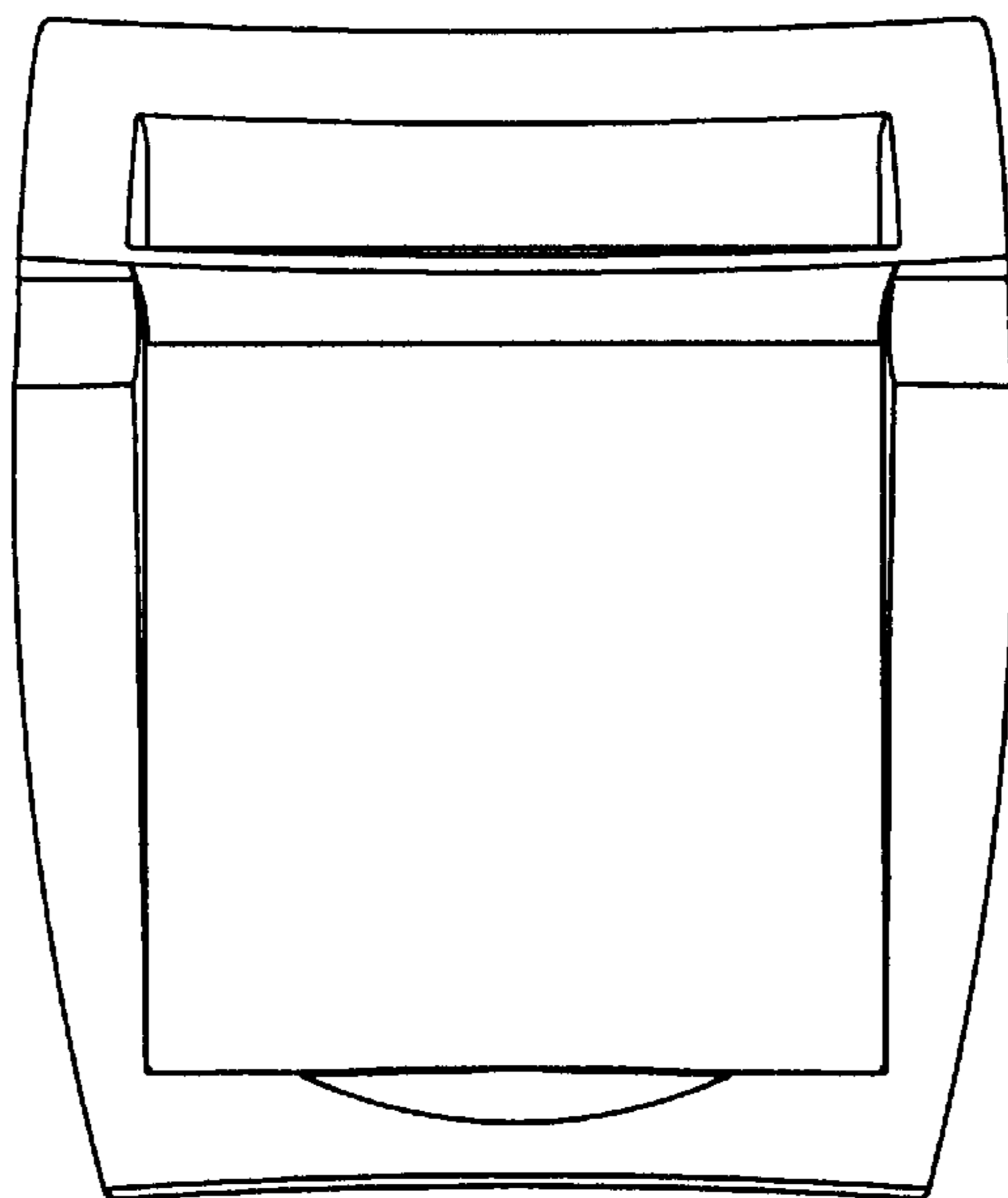


Fig. 2

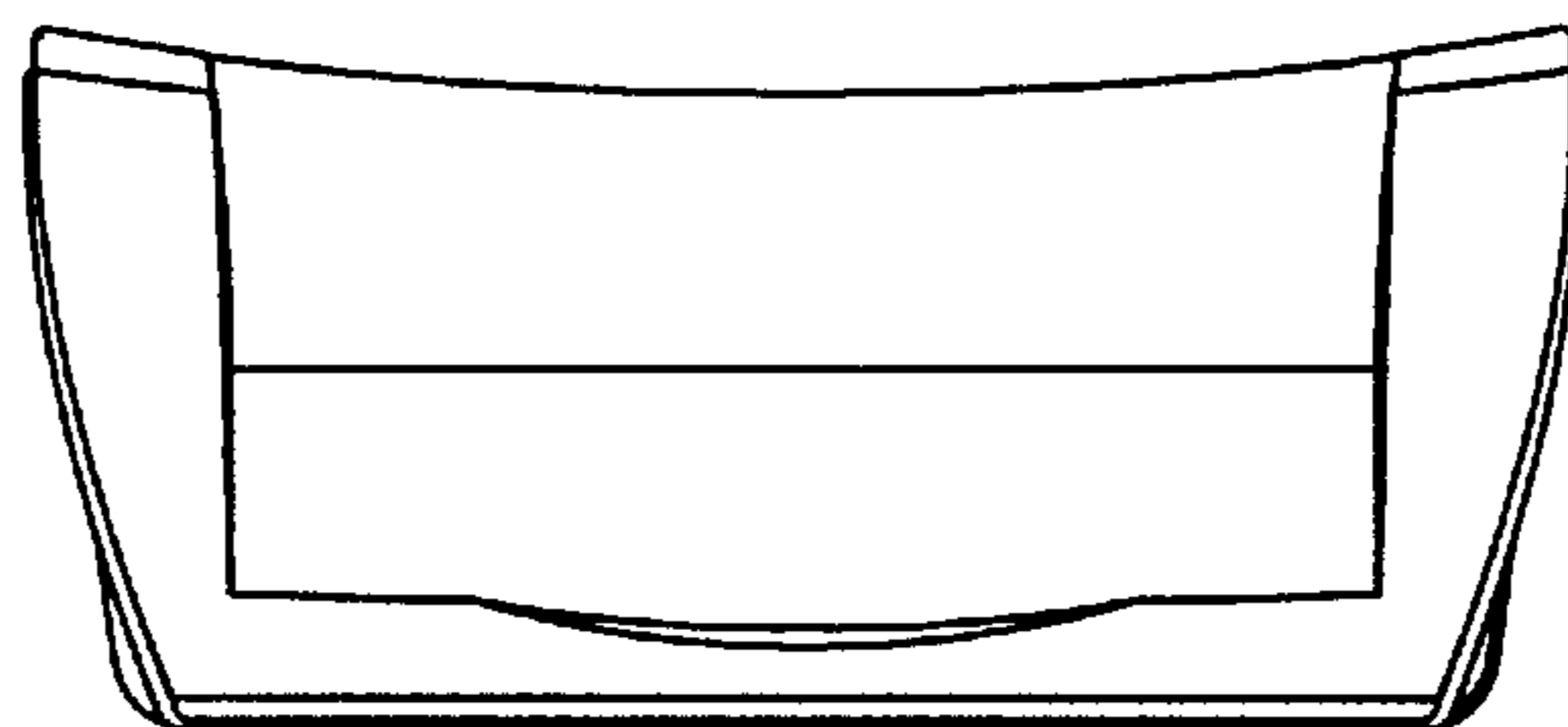


Fig. 3

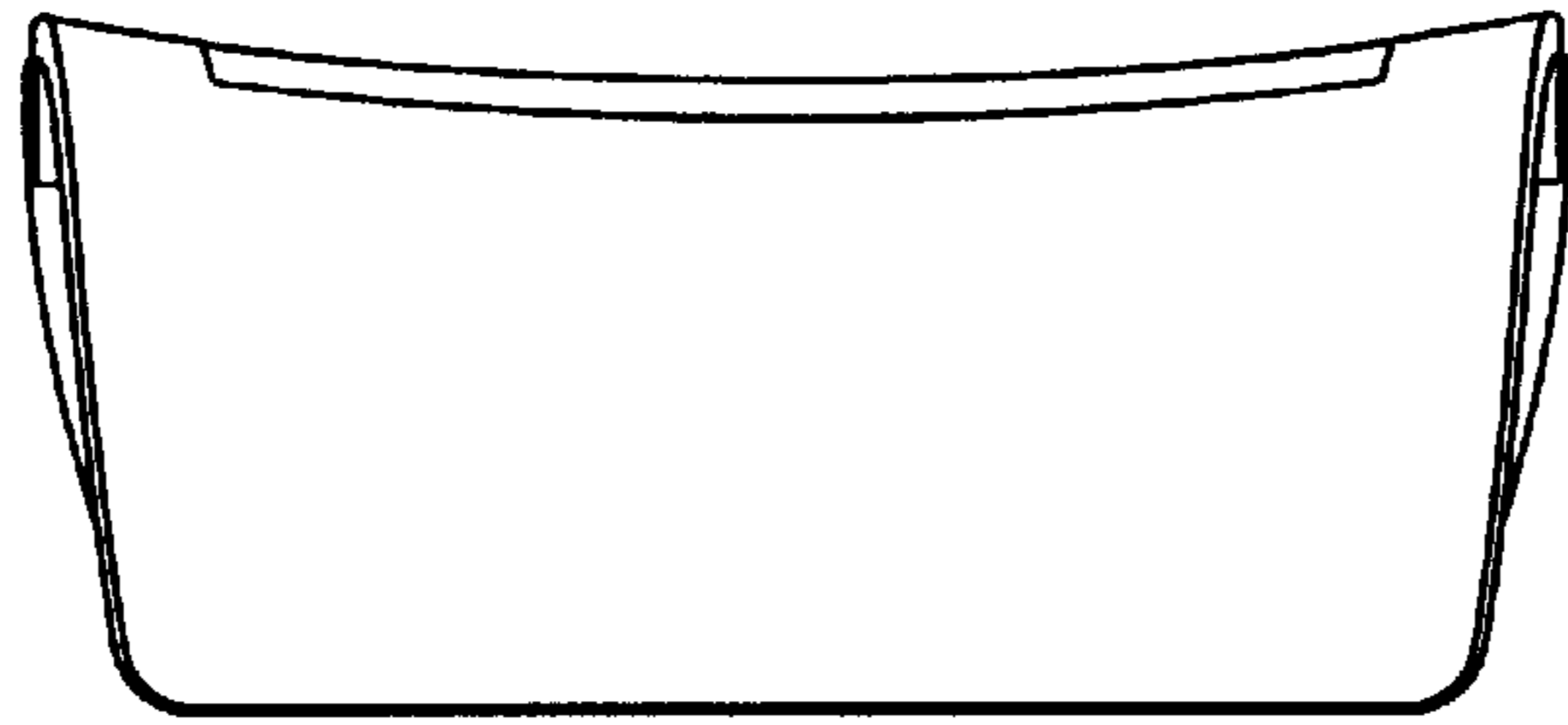


Fig. 4

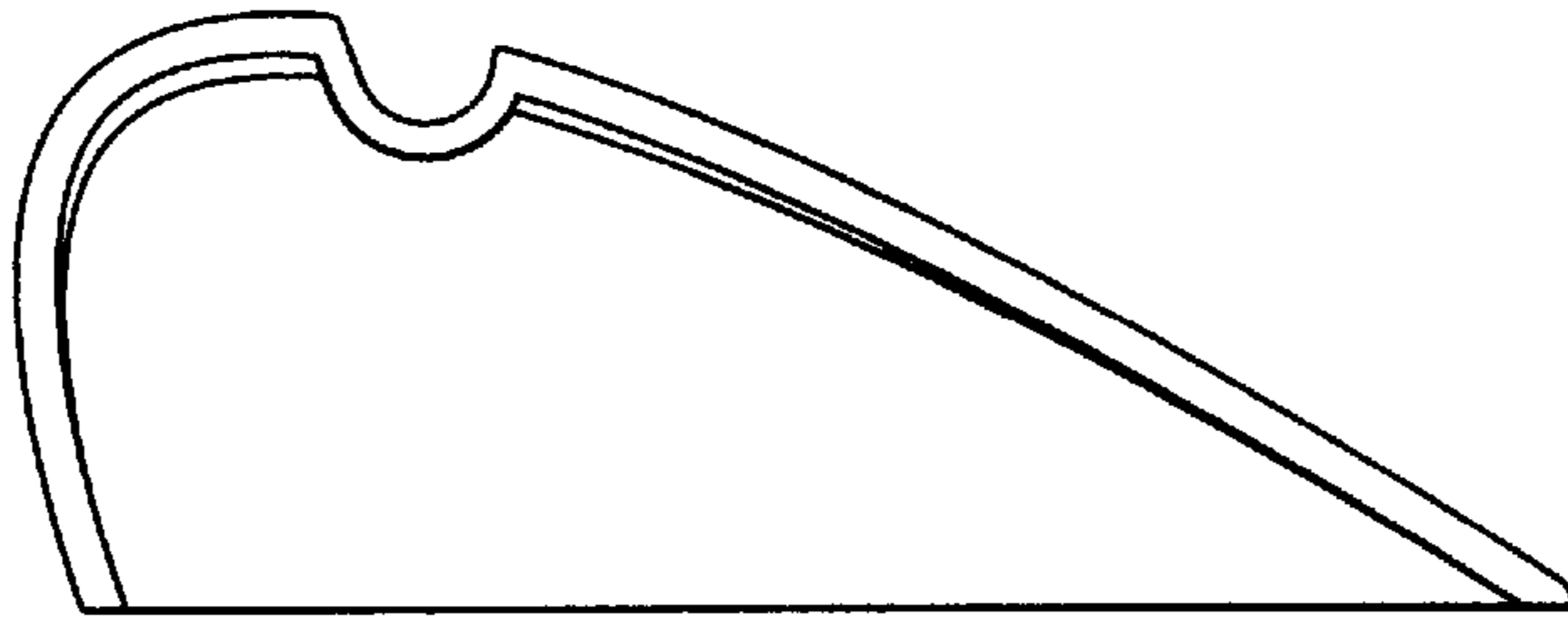


Fig. 5

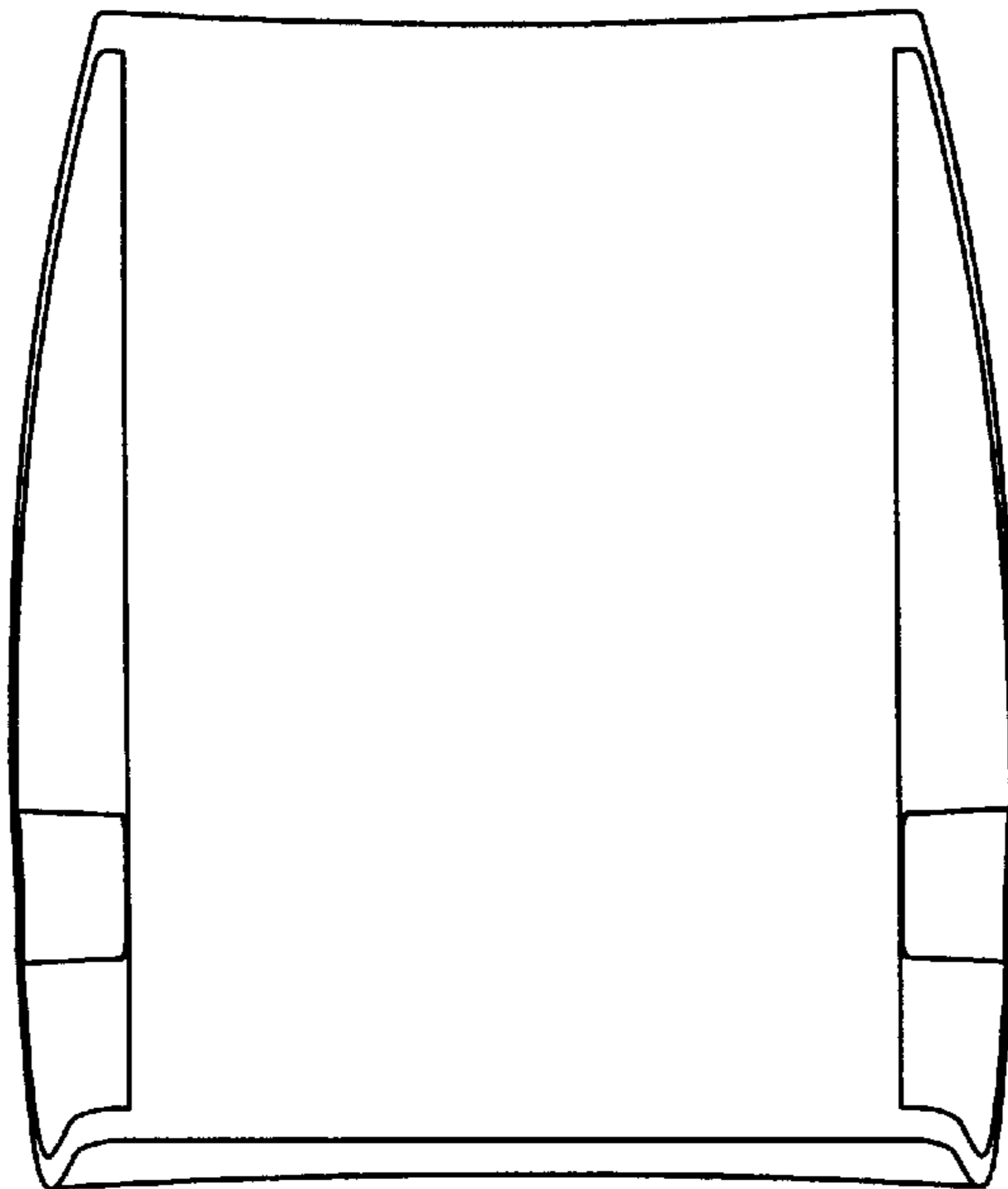


Fig. 6