



US00D454591S

(12) **United States Design Patent**  
**Vidmar et al.**

(10) **Patent No.:** **US D454,591 S**  
(45) **Date of Patent:** **\*\* Mar. 19, 2002**

(54) **PUSH PIN HEAD**

(75) Inventors: **James F. Vidmar**, Willoughby; **Peter D. Rimback**, S. Euclid, both of OH (US)

(73) Assignee: **Hanover Direct, Inc.**, Weehawken, NJ (US)

(\*\*) Term: **14 Years**

(21) Appl. No.: **29/125,870**

(22) Filed: **Jul. 3, 2000**

(51) **LOC (7) Cl.** ..... **19-02**

(52) **U.S. Cl.** ..... **D19/90; D19/65; D19/91; D8/391**

(58) **Field of Search** ..... D19/65, 86, 90, D19/91, 99, 100; D8/388, 387, 389, 390, 391, 392; 411/439, 372.5, 473, 477, 499, 500, 923; 24/706, 711.3, 711.4; 40/300, 312, 641, 668

(56) **References Cited**

**U.S. PATENT DOCUMENTS**

D8,036 S \* 2/1875 Ray ..... D8/387  
412,593 A \* 10/1889 Brinkerhoff ..... 24/711.4 X  
937,157 A \* 10/1909 Laible ..... 24/711.4 X

1,561,518 A \* 11/1925 Graham ..... 411/923  
1,991,561 A \* 2/1935 Krantz ..... 411/473  
D374,593 S \* 10/1996 Eggert ..... D8/387 X  
D414,207 S \* 9/1999 Wagner et al. .... D19/65

**OTHER PUBLICATIONS**

Catalog Sheet, common "Push Pin", Gem Office Products, 1997.

\* cited by examiner

*Primary Examiner*—Martie K. Holtje

(74) *Attorney, Agent, or Firm*—Thompson Hine LLP

(57) **CLAIM**

The ornamental design for a push pin head, as shown and described.

**DESCRIPTION**

FIG. 1 is a perspective view of a push pin head, showing our new design;

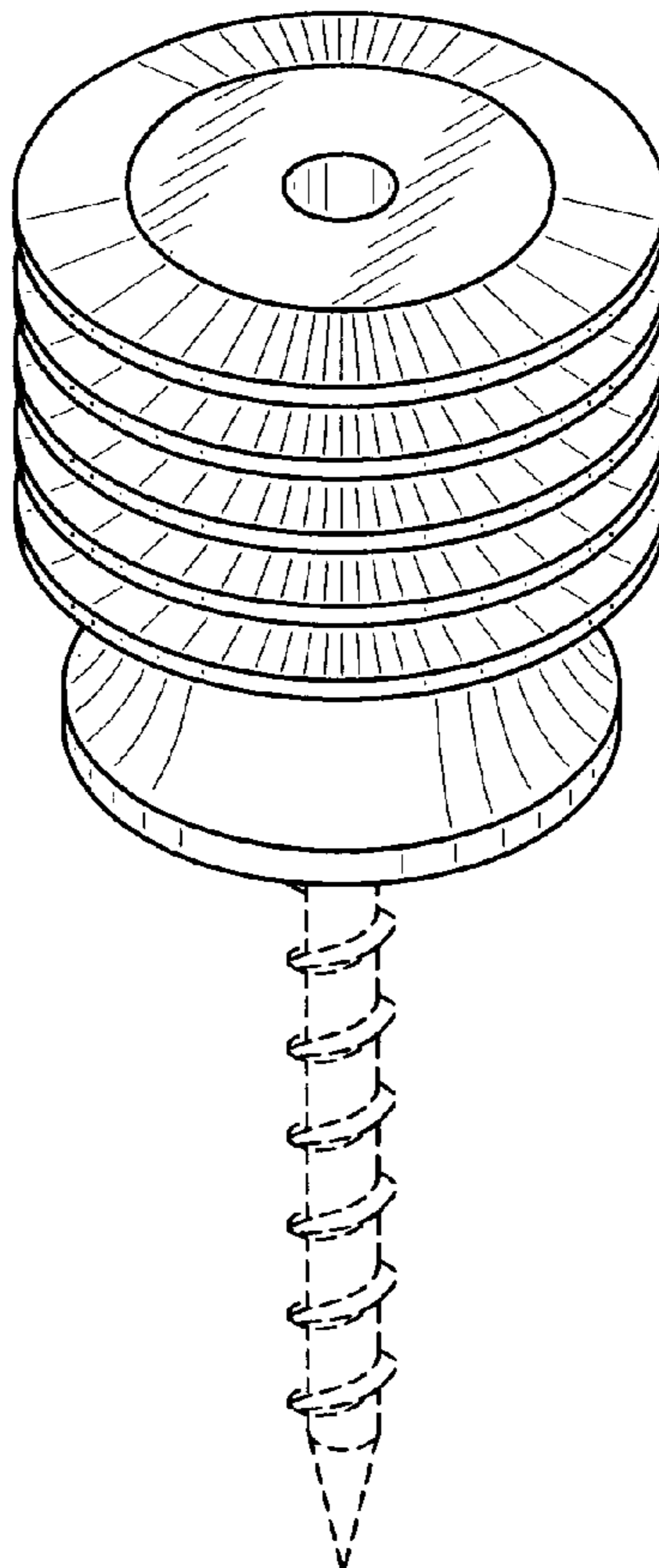
FIG. 2 is an elevational side view of the push pin head, all other elevational side views being identical;

FIG. 3 is a view of the shaft end of the push pin head; and,

FIG. 4 is a view of the end of the push pin head opposite the shaft end.

The broken lines in the Figures are for illustrative purposes only and form no part of the claimed design.

**1 Claim, 1 Drawing Sheet**



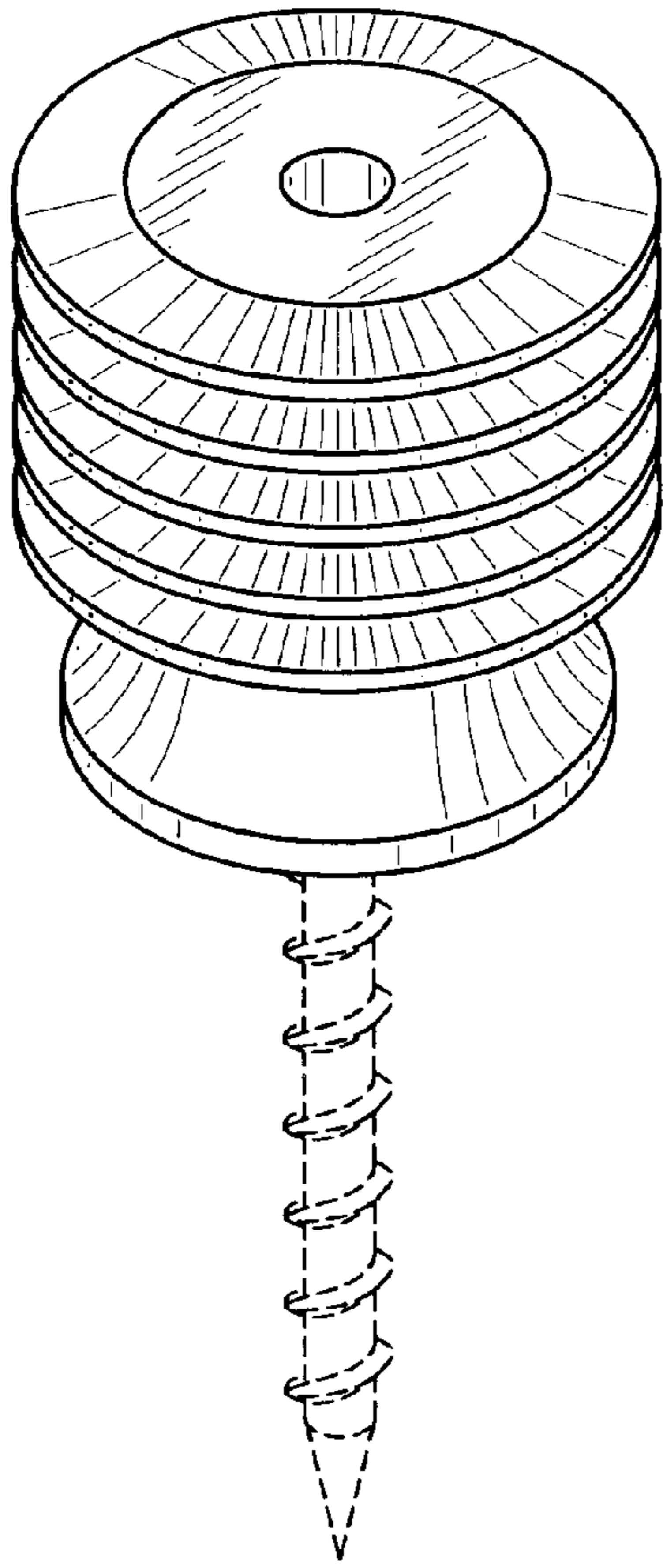


FIG. 1

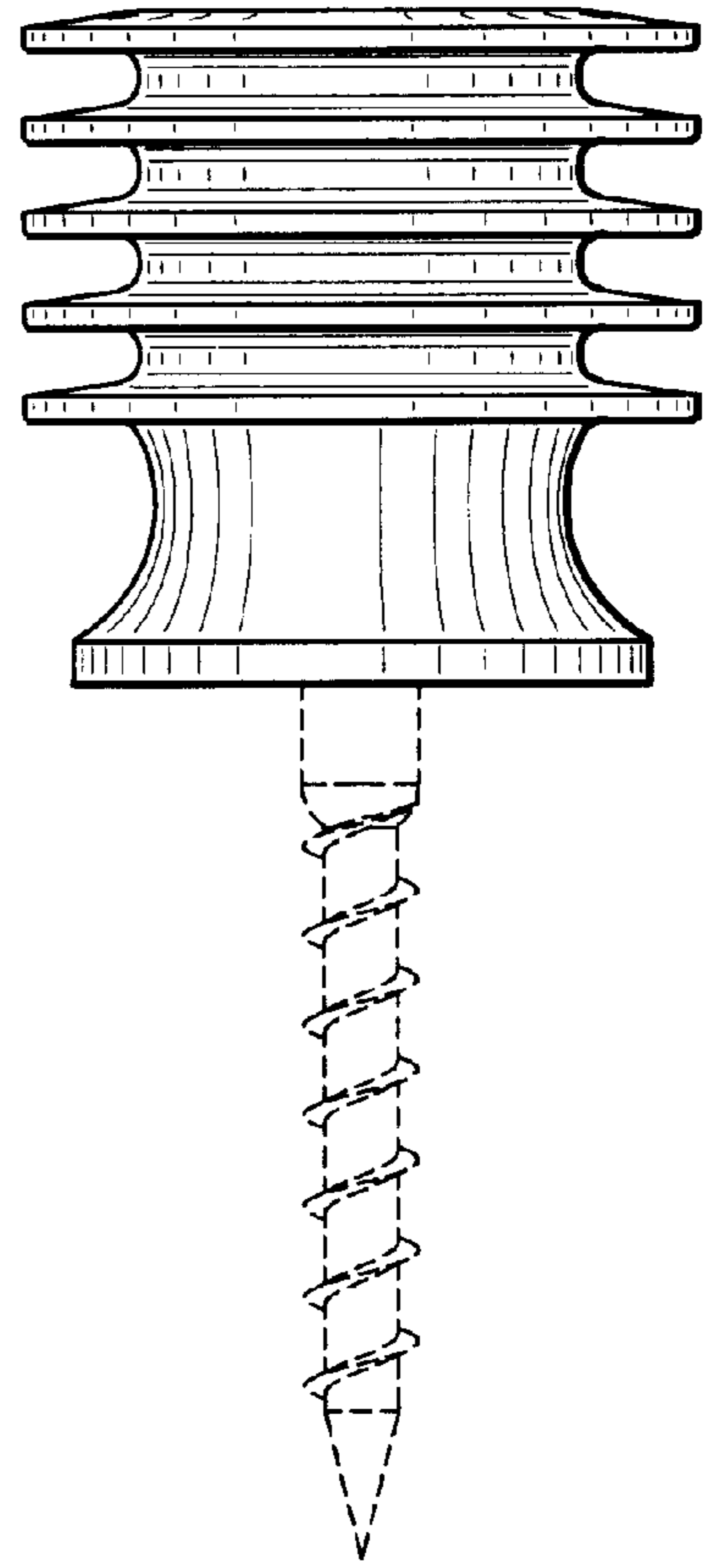


FIG. 2

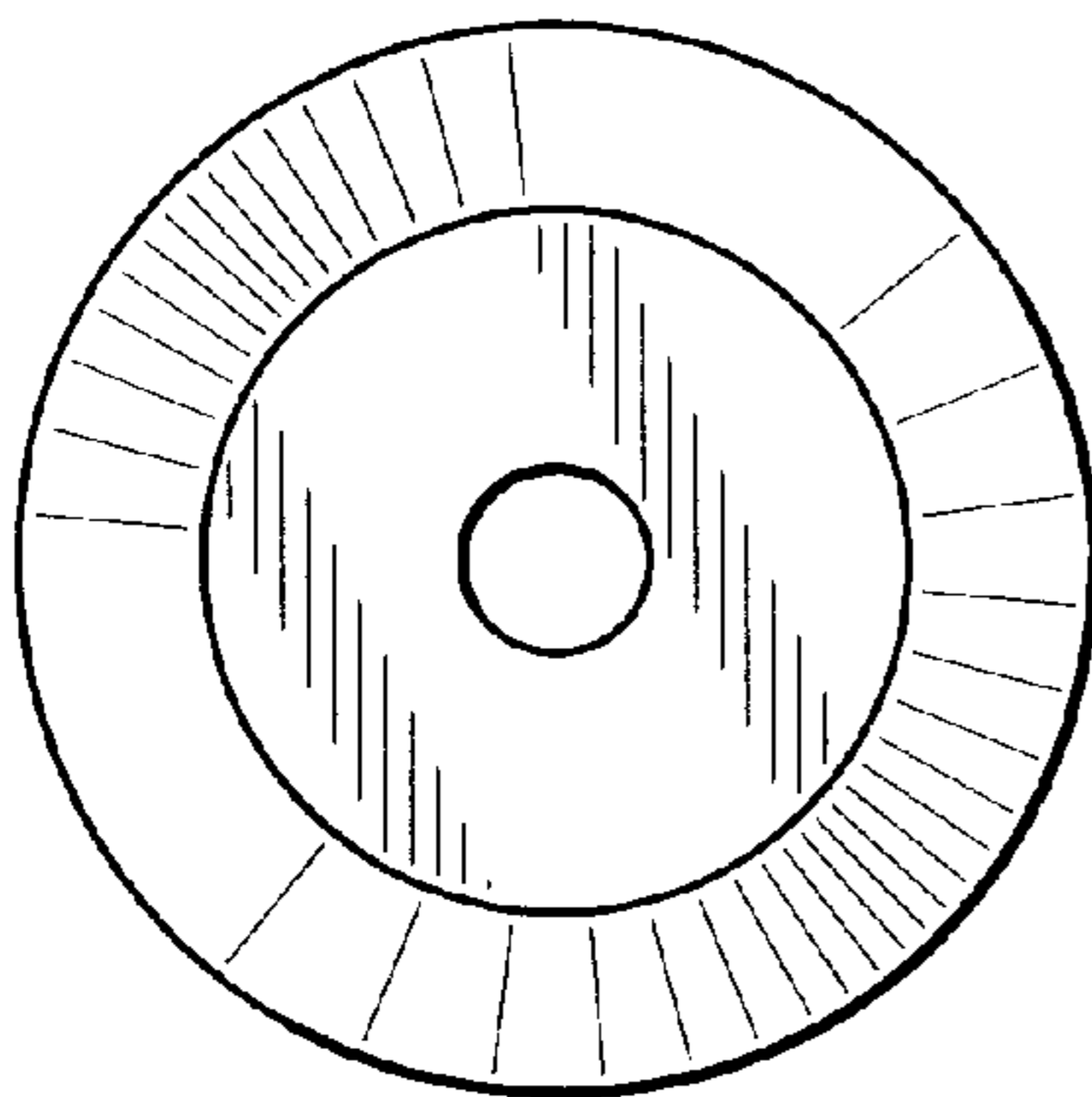


FIG. 4

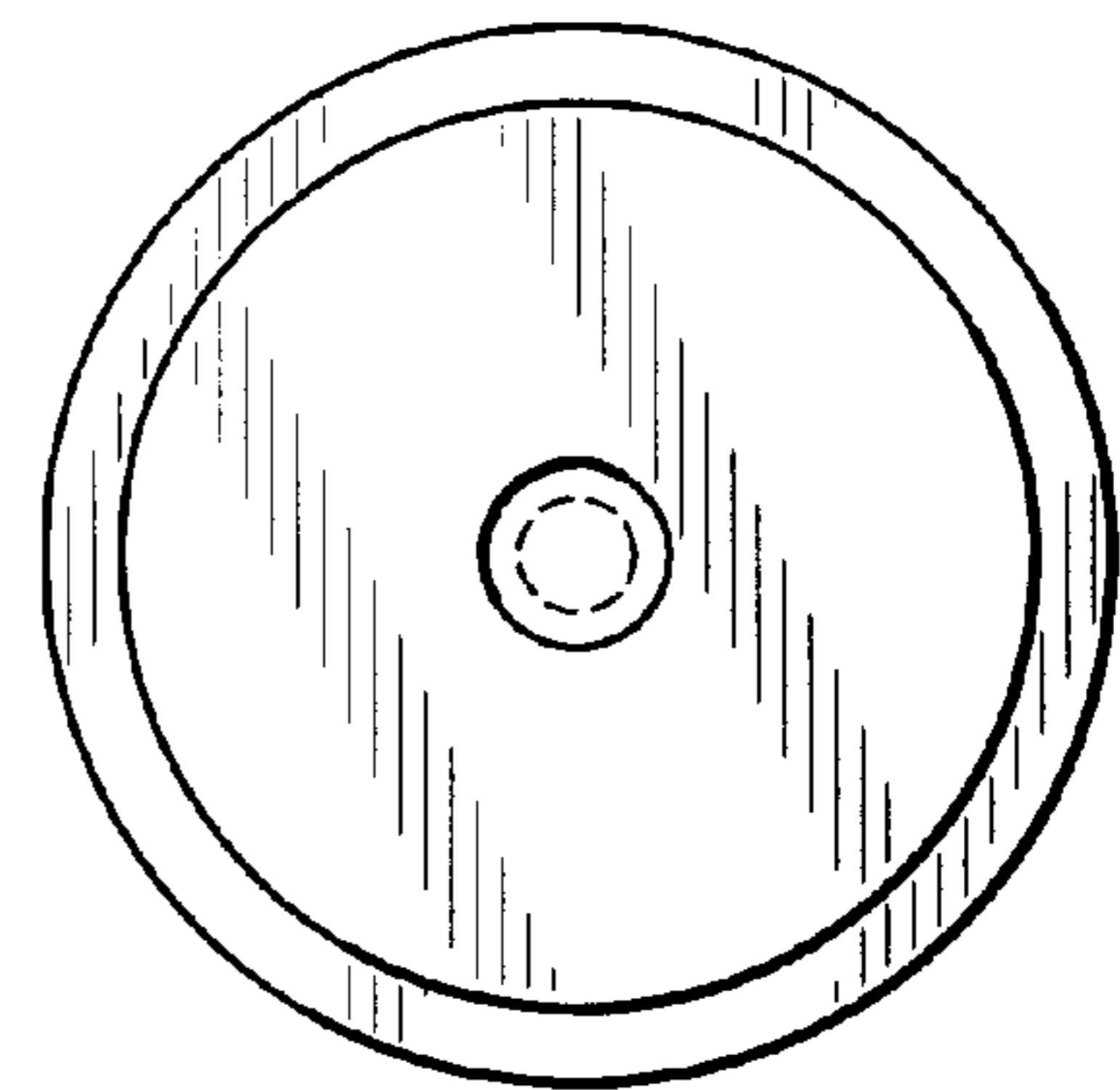


FIG. 3