



US00D454575S

(12) **United States Design Patent**
Noda et al.

(10) **Patent No.:** **US D454,575 S**
(45) **Date of Patent:** **** Mar. 19, 2002**

(54) **CYLINDER TUBE FOR CLAMP CYLINDER**

OTHER PUBLICATIONS

(75) Inventors: **Mitsuo Noda**, Ichinomiya; **Tsuyoshi Yonezawa**; **Tadanori Sugimoto**, both of Aichi-ken, all of (JP)

Patent Abstracts of Japan of 8336734 Dated: Dec. 24, 1996.

* cited by examiner

(73) Assignee: **Howa Machinery, Ltd.**, Aichi-ken (JP)

Primary Examiner—Melody N. Brown

(**) Term: **14 Years**

(74) *Attorney, Agent, or Firm*—Ladas & Parry

(21) Appl. No.: **29/126,852**

(57) **CLAIM**

(22) Filed: **Jul. 25, 2000**

We claim the ornamental design for a cylinder tube for clamp cylinder, as shown and described.

(51) **LOC (7) Cl.** **15-01**

DESCRIPTION

(52) **U.S. Cl.** **D15/5**

(58) **Field of Search** D15/1-5; 123/41.6, 123/41.61, 416, 193.1; 180/60, 65.1

FIG. 1 is a front elevational view of a cylinder tube for clamp cylinder, the opposite side view being a mirror image; FIG. 2 is a cross-sectional view taken along line 2—2 in FIG. 1

(56) **References Cited**

U.S. PATENT DOCUMENTS

D290,364 S	*	6/1987	Wilkinson	D15/5
D333,474 S	*	2/1993	Aizawa	D15/5
D334,198 S	*	3/1993	Aizawa	D15/5
D383,761 S	*	9/1997	Huntzinger	D15/5

FIG. 3 is a right side elevational view thereof; and,

FIG. 4 is a left side elevational view thereof.

The broken lines shown in FIGS. 1, 3 and 4 are for illustrative purposes only and form no part of the claimed design.

FOREIGN PATENT DOCUMENTS

JP 8336734 12/1996

1 Claim, 3 Drawing Sheets

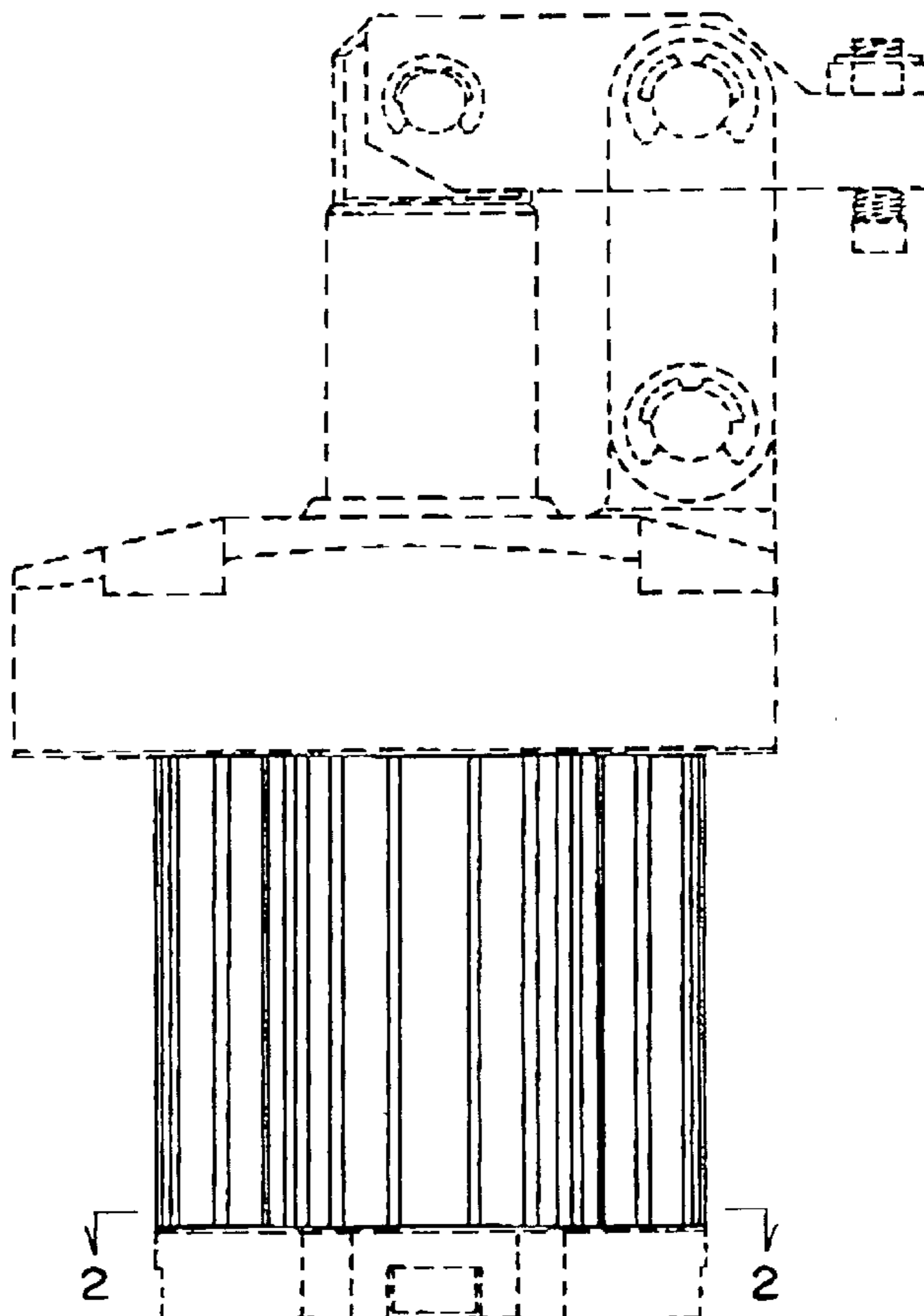


FIG. 1

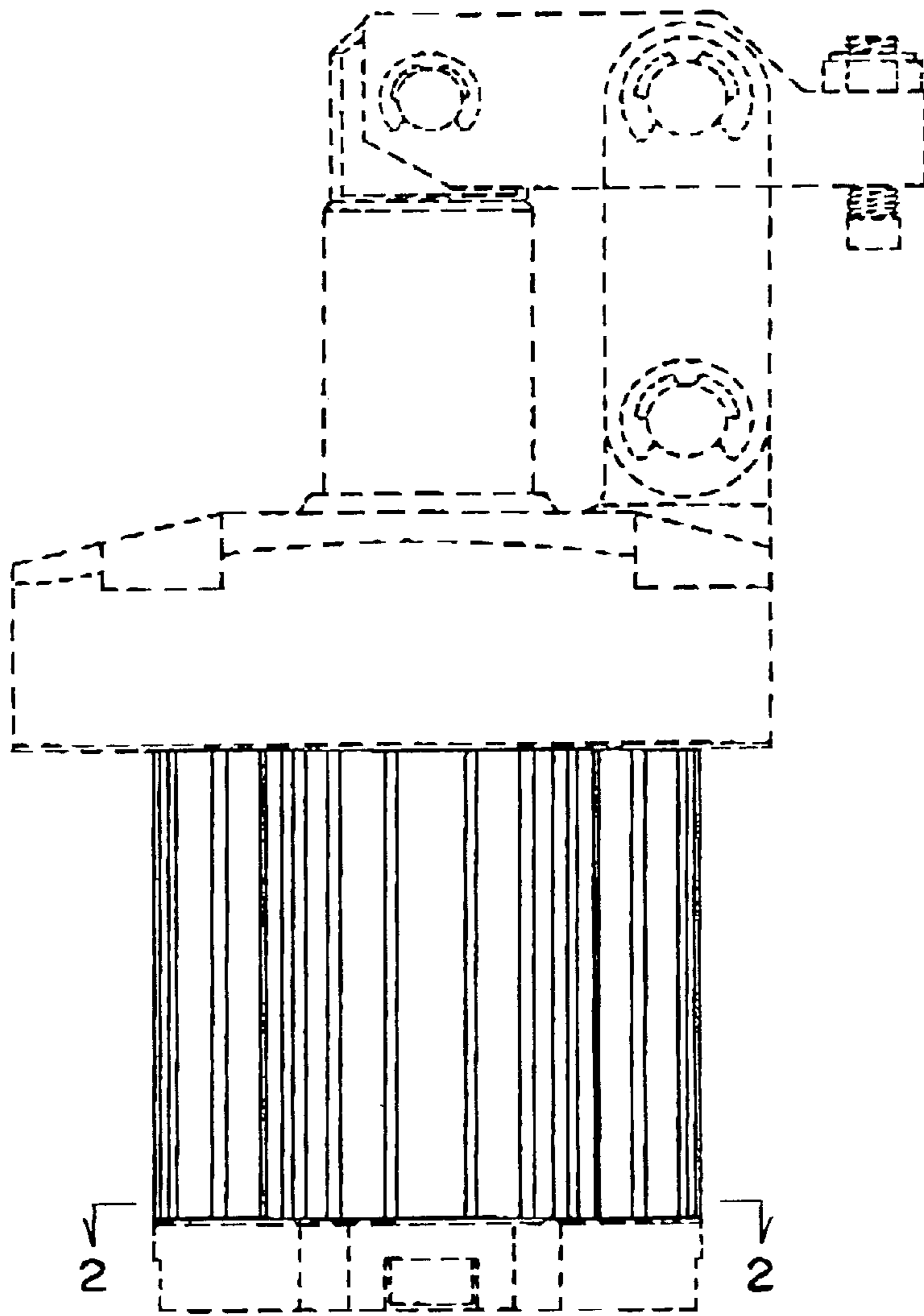


FIG. 2

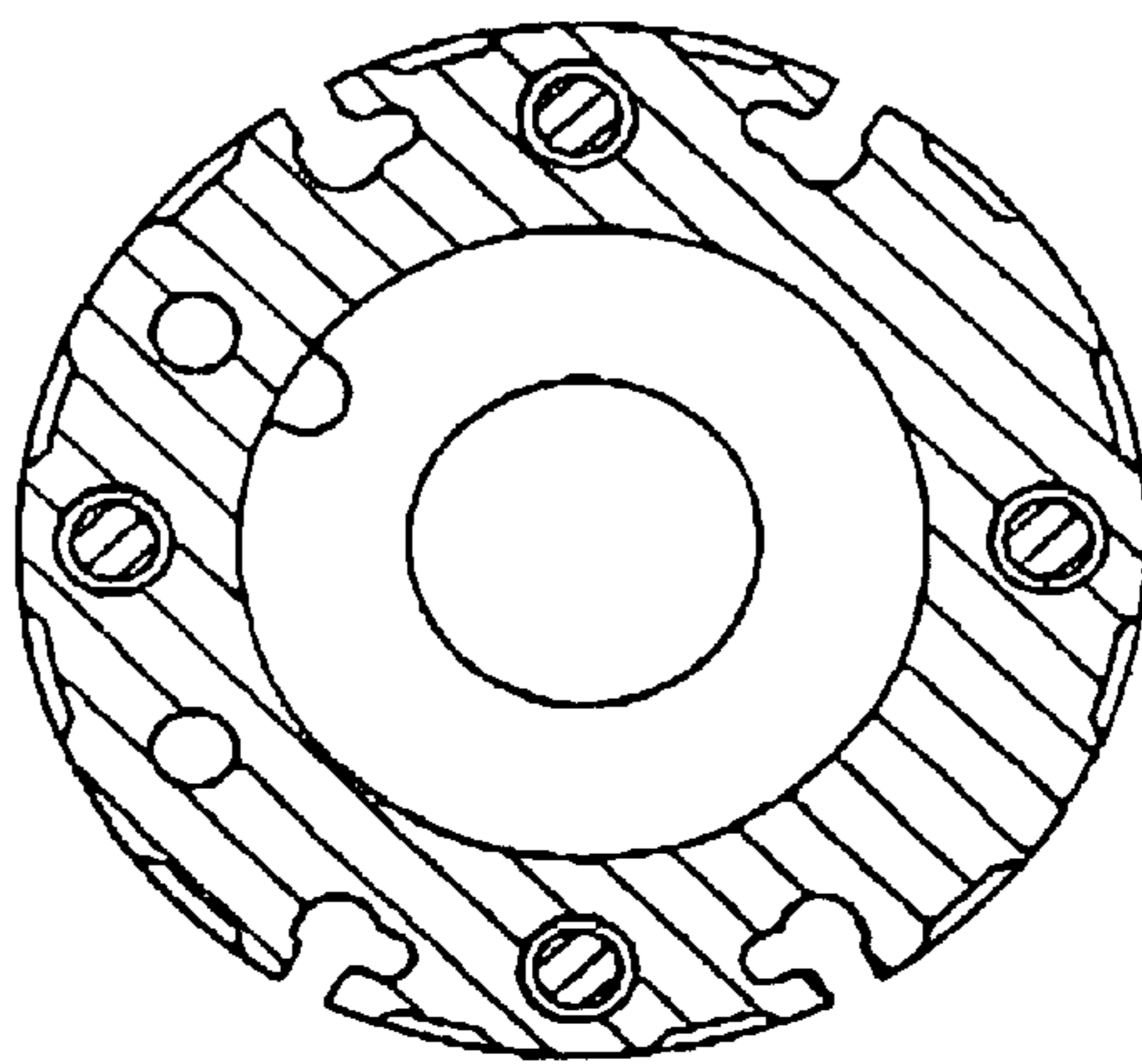


FIG. 3

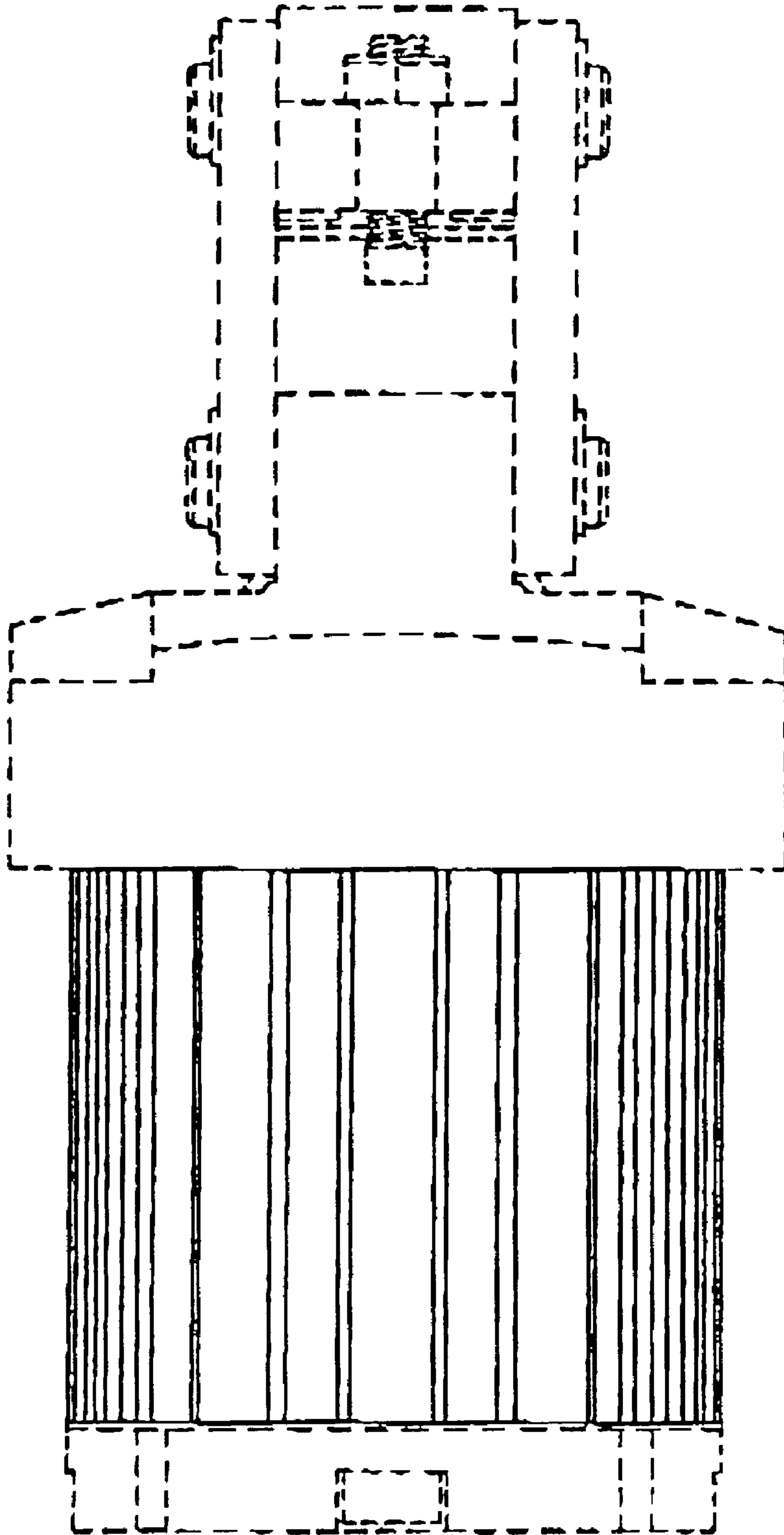


FIG. 4

