



US00D454574S

(12) **United States Design Patent**
Wasko et al.

(10) **Patent No.:** **US D454,574 S**
(45) **Date of Patent:** **** Mar. 19, 2002**

(54) **USER INTERFACE FOR COMPUTER DISPLAY**

(75) Inventors: **Timothy E. Wasko**, High River (CA);
Bas Ording, Sunnyvale, CA (US)

(73) Assignee: **Apple Computer, Inc.**, Cupertino, CA (US)

(**) Term: **14 Years**

(21) Appl. No.: **29/116,431**

(22) Filed: **Jan. 4, 2000**

(51) **LOC (7) Cl.** **14-02**

(52) **U.S. Cl.** **D14/487**

(58) **Field of Search** D14/485-95; D18/24-33;
D19/6; D20/11; D21/324-33; 345/326,
339-58

(56) **References Cited**

U.S. PATENT DOCUMENTS

D296,339 S	6/1988	Wells-Papanek et al.
5,598,524 A	1/1997	Johnston, Jr. et al.
D404,385 S	1/1999	Hodgson
D413,588 S *	9/1999	Hodgson
5,959,624 A	9/1999	Johnston, Jr. et al.
5,963,206 A	10/1999	Ulrich et al.
D419,981 S *	2/2000	Coleman
D425,497 S *	5/2000	Eisenberg et al.
D426,209 S *	6/2000	Hodgson
D429,734 S *	8/2000	Johnson
D435,561 S *	12/2000	Pettigrew et al.

FOREIGN PATENT DOCUMENTS

EP	0 561 517	9/1993
EP	0 650 114	4/1995
WO	WO 95/31775	11/1995
WO	WO 95/31776	11/1995

OTHER PUBLICATIONS

McComb, Gordon, et al., "Macintosh® Graphics", New American Library, New York, New York, 1985, pp. 49, 50, 107, and 108.

* cited by examiner

Primary Examiner—M. H. Tung

(74) *Attorney, Agent, or Firm*—Burns, Doane, Swecker & Mathis, L.L.P.

(57) **CLAIM**

The ornamental design for a user interface for computer display, as shown and described.

DESCRIPTION

A portion of the disclosure of this patent contains material to which a claim for copyright is made. the copyright owner has no objection to the facsimile reproduction by anyone of the patent document or the patent disclosure, as it appears in the Patent and Trademark Office patent file or records, but reserves all other copyright rights whatsoever.

The file of this patent contains at least one drawing executed in color. Copies of this patent with color drawings will be provided by the Patent and Trademark Office upon request and payment of the necessary fee.

FIG. 1 is a front view of a user interface for a computer display showing our new design;

FIG. 2 is a front view of a second embodiment thereof;

FIG. 3 is a front view of a third embodiment thereof;

FIG. 4 is a front view of a fourth embodiment thereof;

FIG. 5 is a front view of a fifth embodiment thereof;

FIG. 6 is a front view of a sixth embodiment thereof;

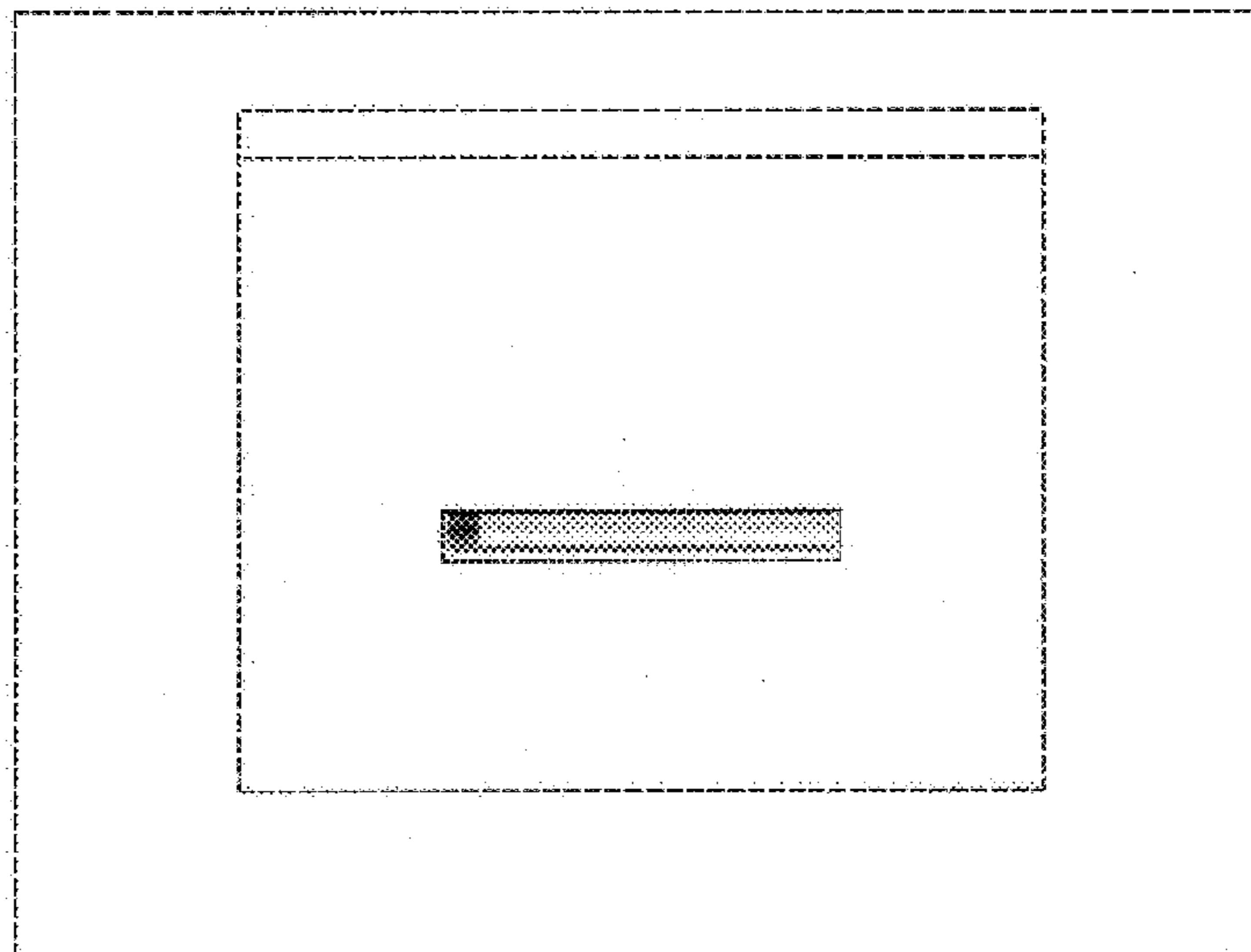
FIG. 7 is a front view of a seventh embodiment thereof; and,

FIG. 8 is a front view of an eighth embodiment thereof.

The broken line drawings of the computer display and window in all views are for illustrative purposes only and form no part of the claimed design.

1 Claim, 8 Drawing Sheets

(4 of 8 Drawing Sheet(s) Filed in Color)



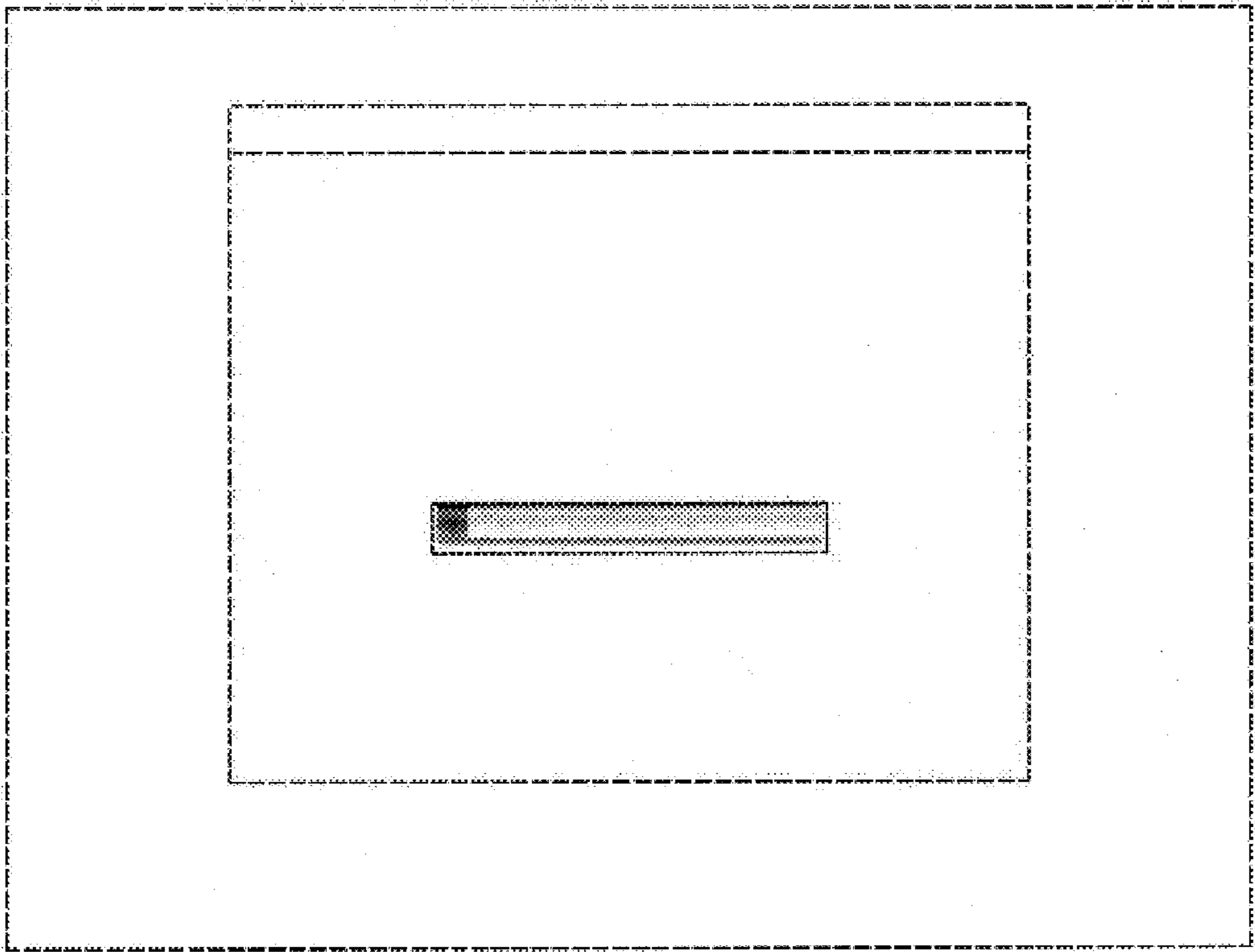


FIG. 1

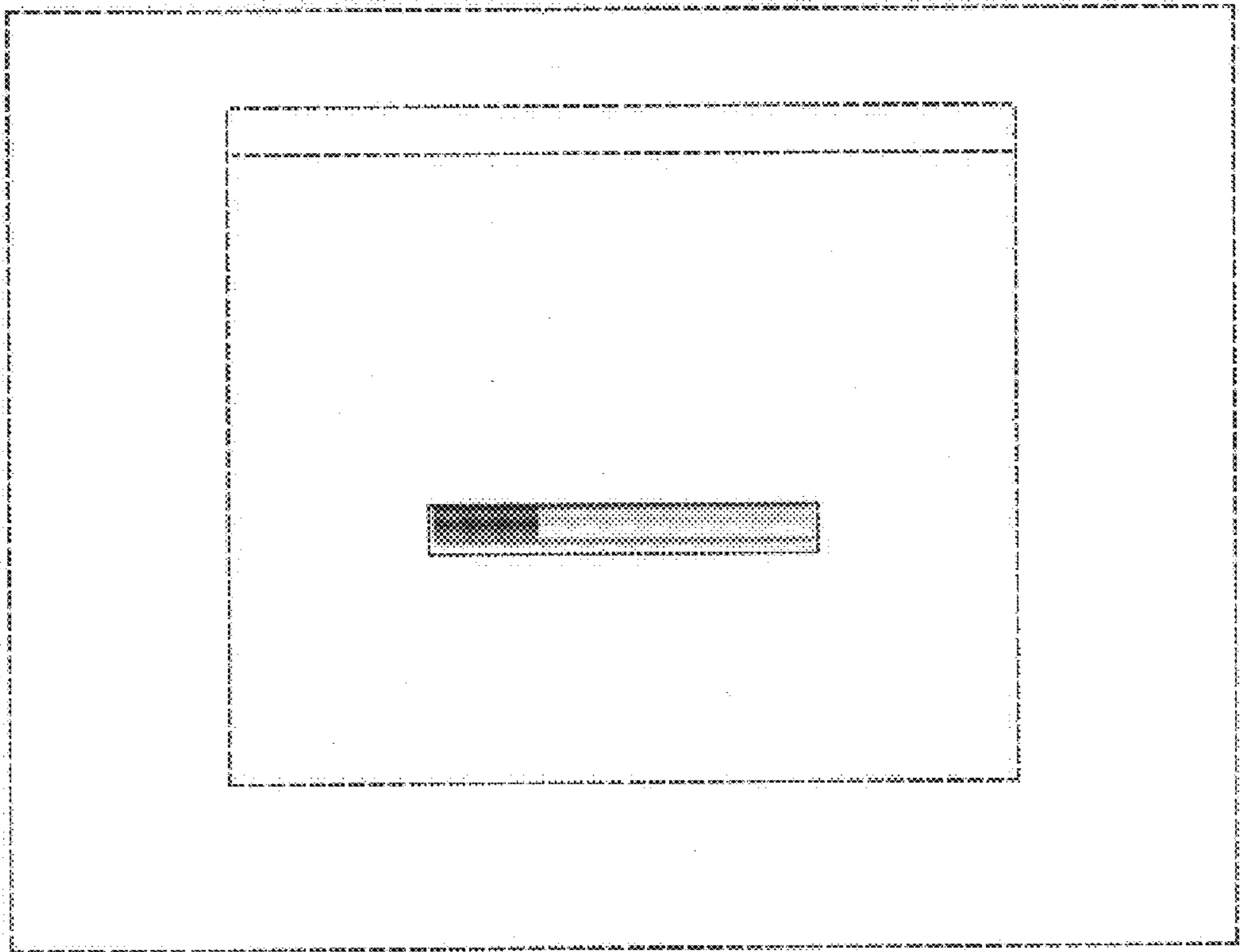


FIG. 2

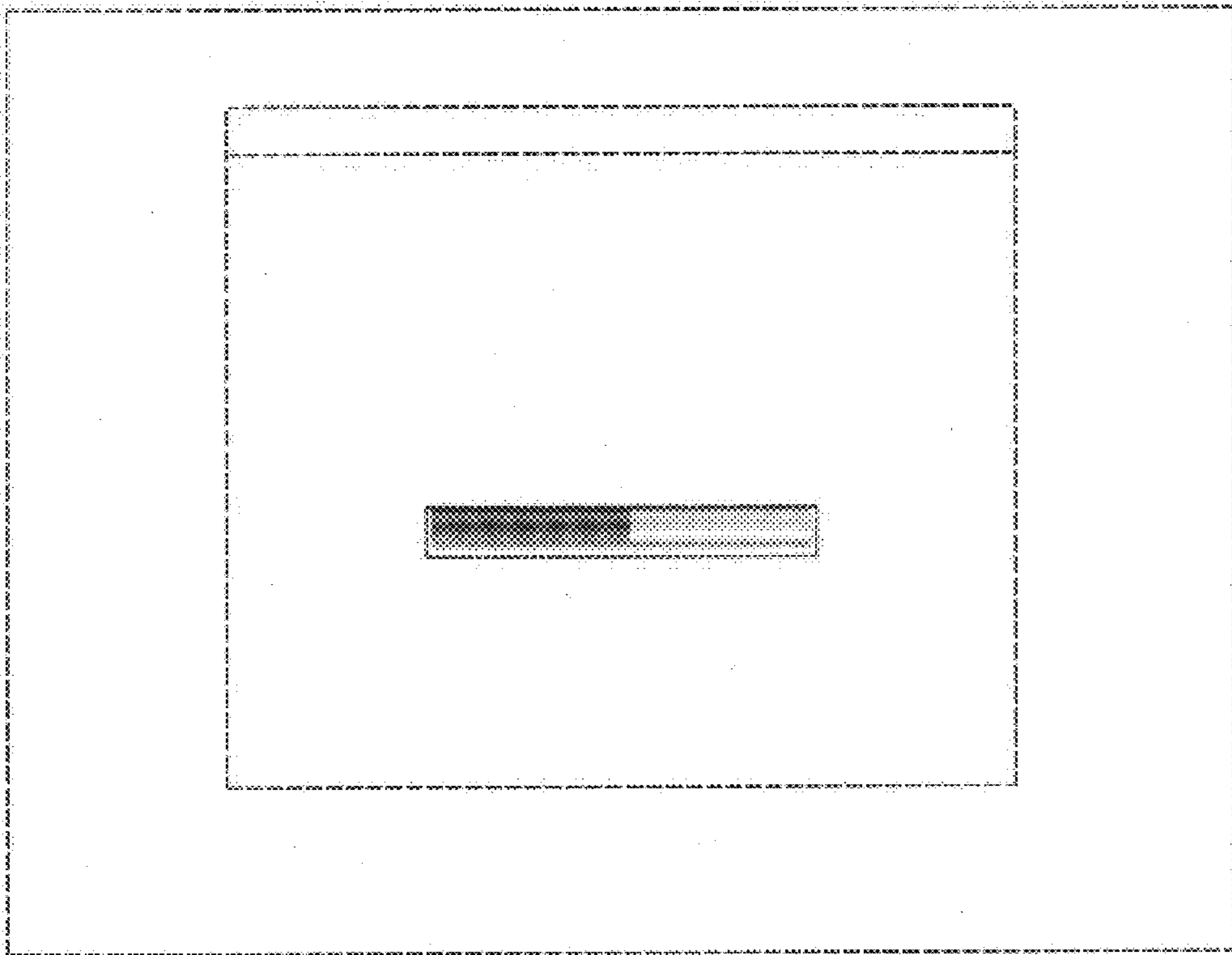


FIG. 3

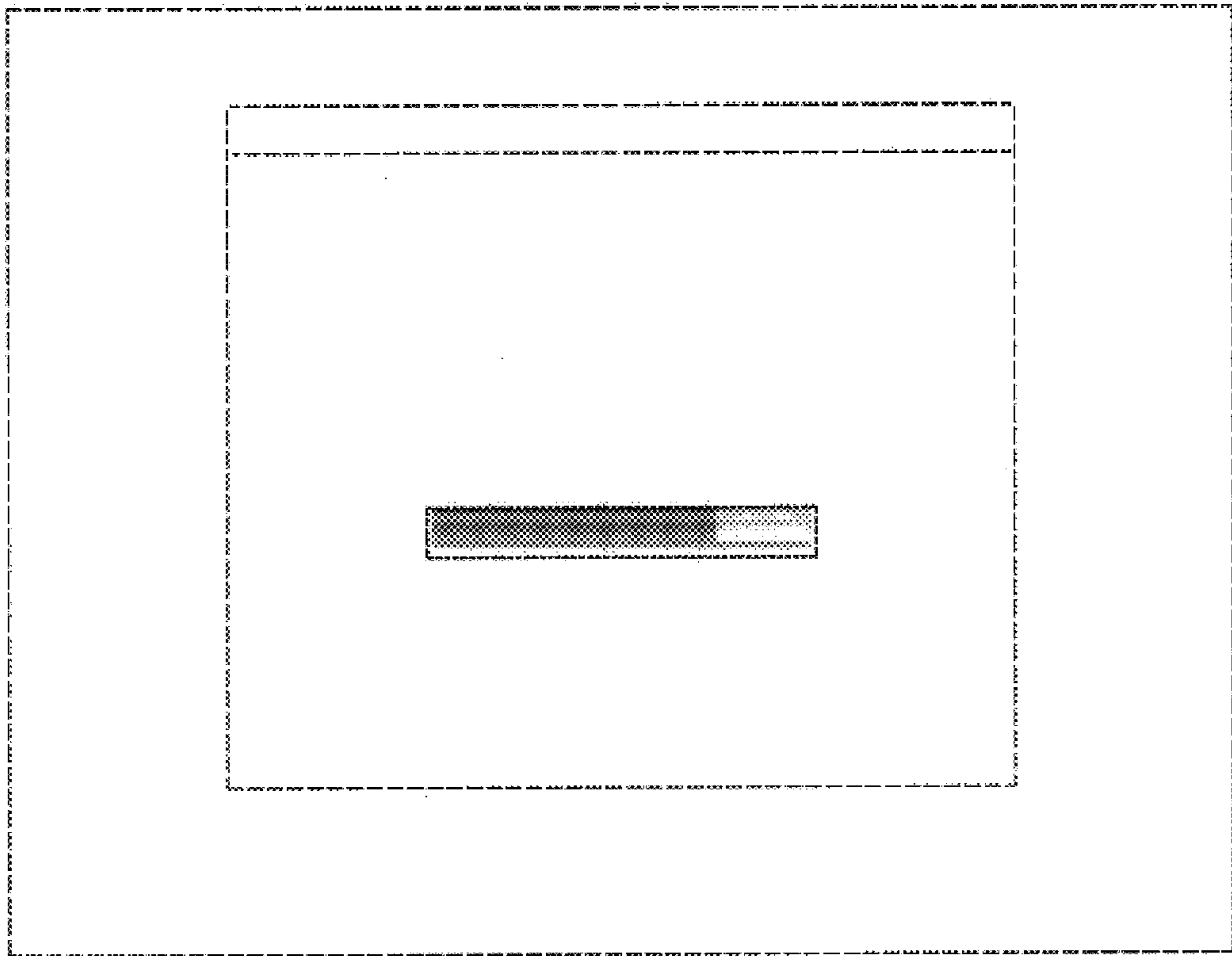


FIG. 4

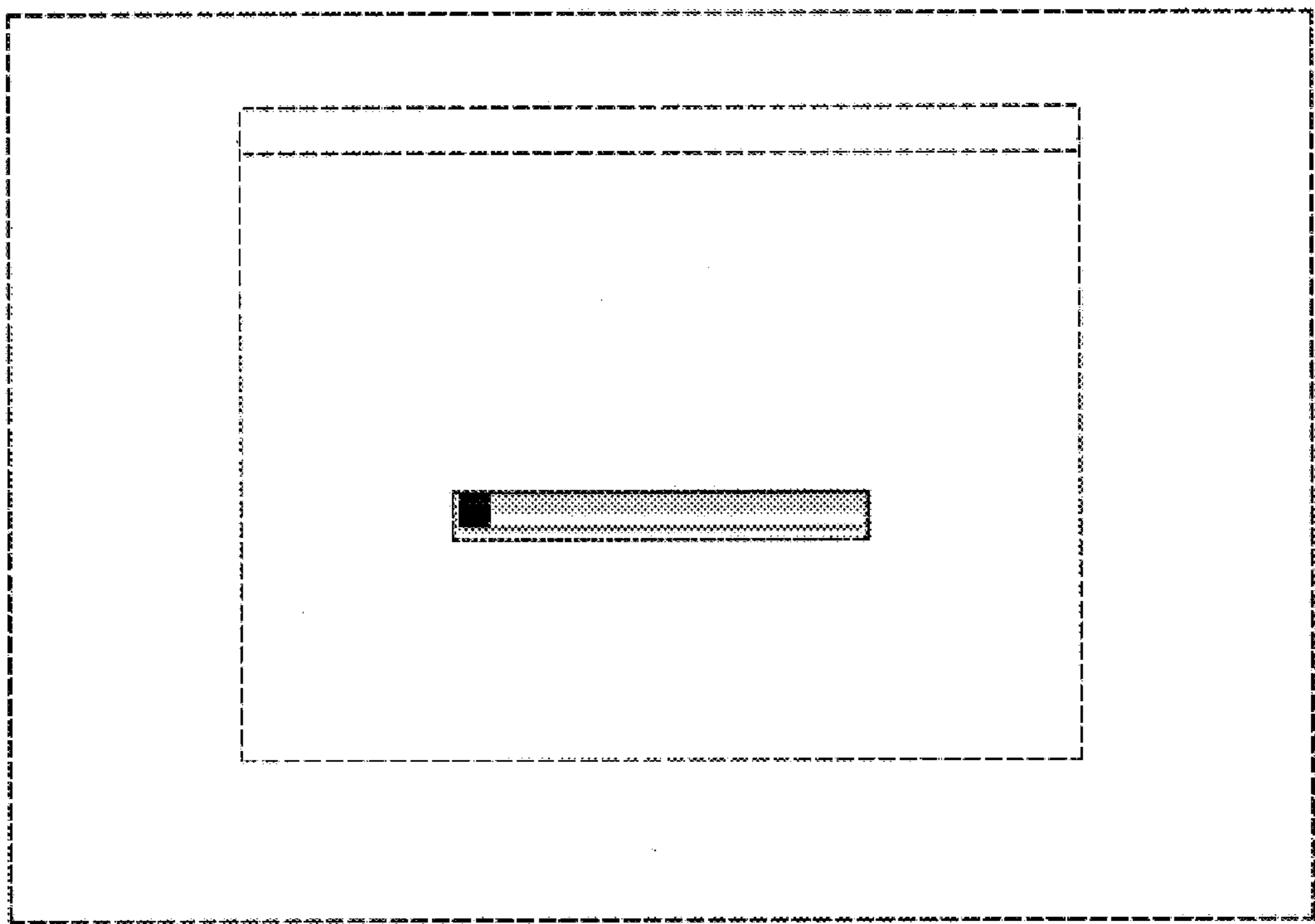


FIG. 5

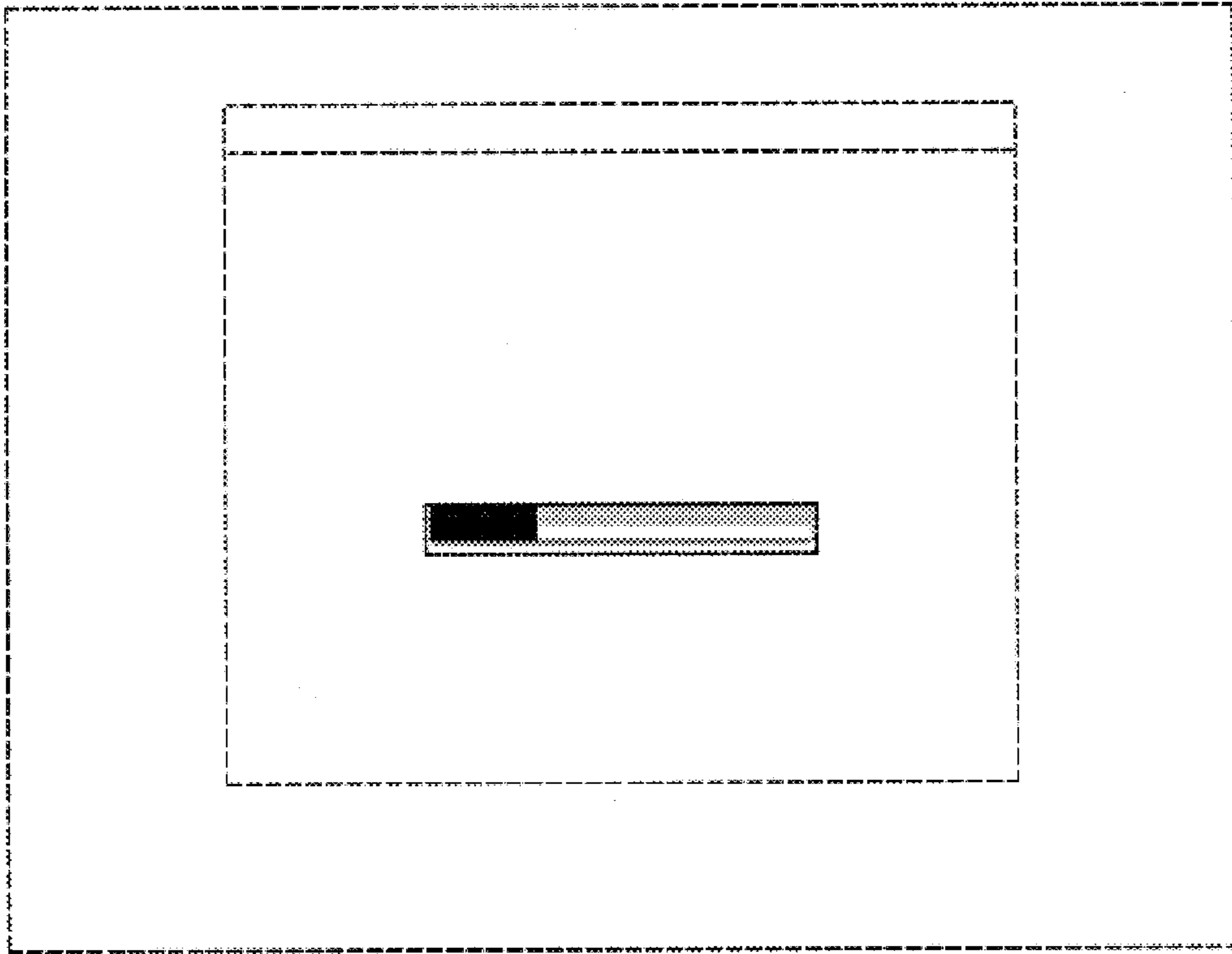


FIG. 6

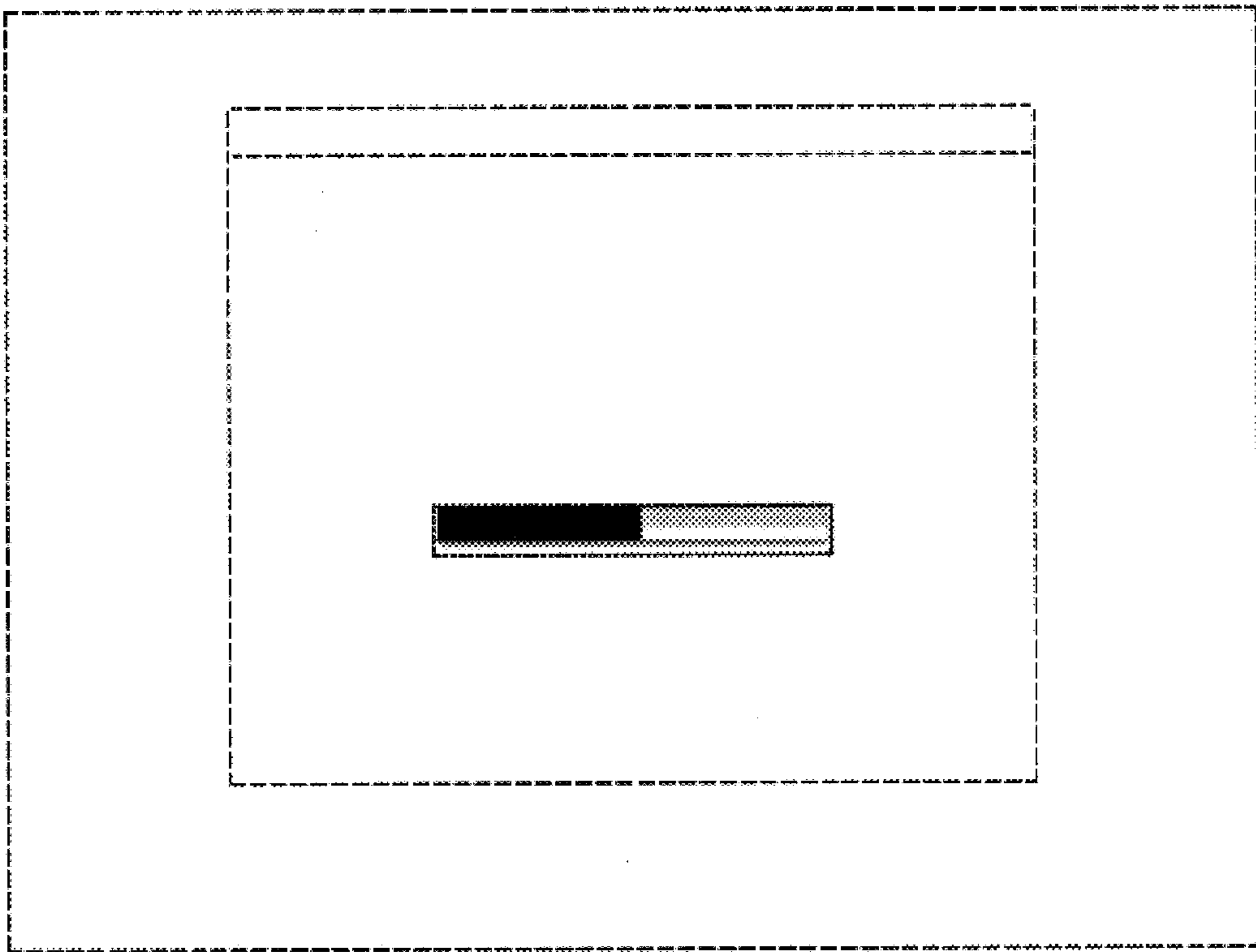


FIG. 7

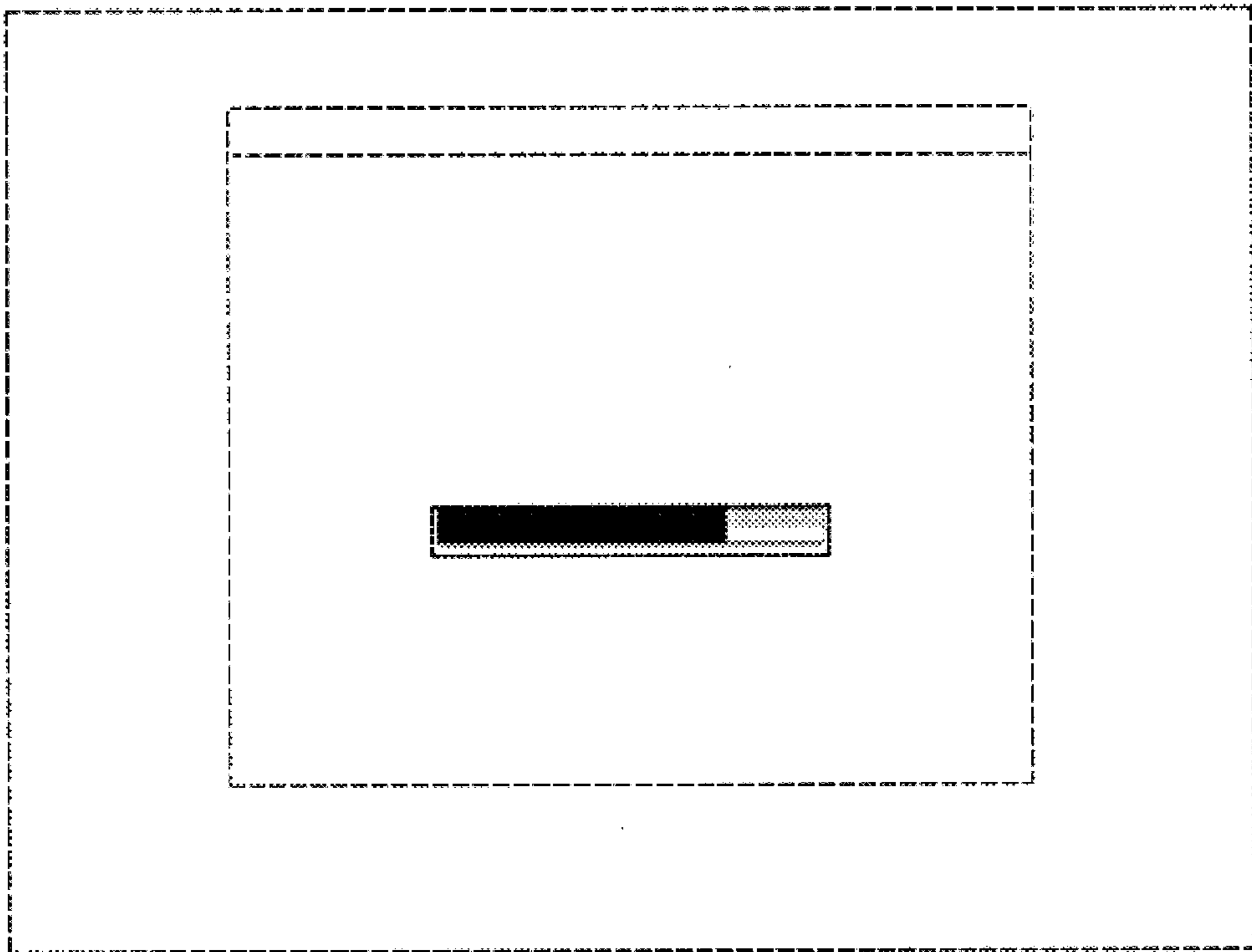


FIG. 8