



US00D454573S

(12) **United States Design Patent**  
**Richter**

(10) **Patent No.:** **US D454,573 S**

(45) **Date of Patent:** **\*\* Mar. 19, 2002**

(54) **ERGONOMIC KEYBOARD SUPPORT**

(76) Inventor: **Grant Richter**, 9/27 Sherbrook Road,  
Hornsby, New South Wales, 2077 (AU)

(\*\*) Term: **14 Years**

(21) Appl. No.: **29/139,118**

(22) Filed: **Mar. 23, 2001**

(30) **Foreign Application Priority Data**

Sep. 25, 2000 (AU) ..... 3100/00

(51) **LOC (7) Cl.** ..... **14-02**

(52) **U.S. Cl.** ..... **D14/457; D14/455**

(58) **Field of Search** ..... D14/461, 460,  
D14/454, 455, 456; 248/118.1, 118.3, 346,  
489, 917-924; 400/715

(56) **References Cited**

**U.S. PATENT DOCUMENTS**

4,781,126 A	11/1988	Lochridge	
5,048,784 A	9/1991	Schwartz et al.	
5,131,614 A	7/1992	Garcia et al.	
5,240,210 A	* 8/1993	Honto, Jr. et al.	..... 248/118.1
5,342,005 A	8/1994	Szmanda et al.	
D361,988 S	* 9/1995	Grant	..... D14/457
D381,222 S	7/1997	O'Sullivan et al.	
D381,530 S	7/1997	O'Sullivan et al.	

D382,419 S	8/1997	O'Sullivan et al.	
D386,015 S	11/1997	O'Sullivan et al.	
D391,415 S	3/1998	O'Sullivan et al.	
D410,453 S	6/1999	Timm	..... D14/457
5,918,839 A	7/1999	DuBois	
6,045,098 A	* 4/2000	Timm	..... 248/118.1
6,119,603 A	9/2000	Lochridge	
D442,968 S	* 5/2001	Udo et al.	..... D14/461
6,264,150 B1	* 7/2001	Kolenchuk	..... 248/118

\* cited by examiner

*Primary Examiner*—Kay H. Chin

(74) *Attorney, Agent, or Firm*—Townsend and Townsend  
and Crew LLP; Guy W. Chambers

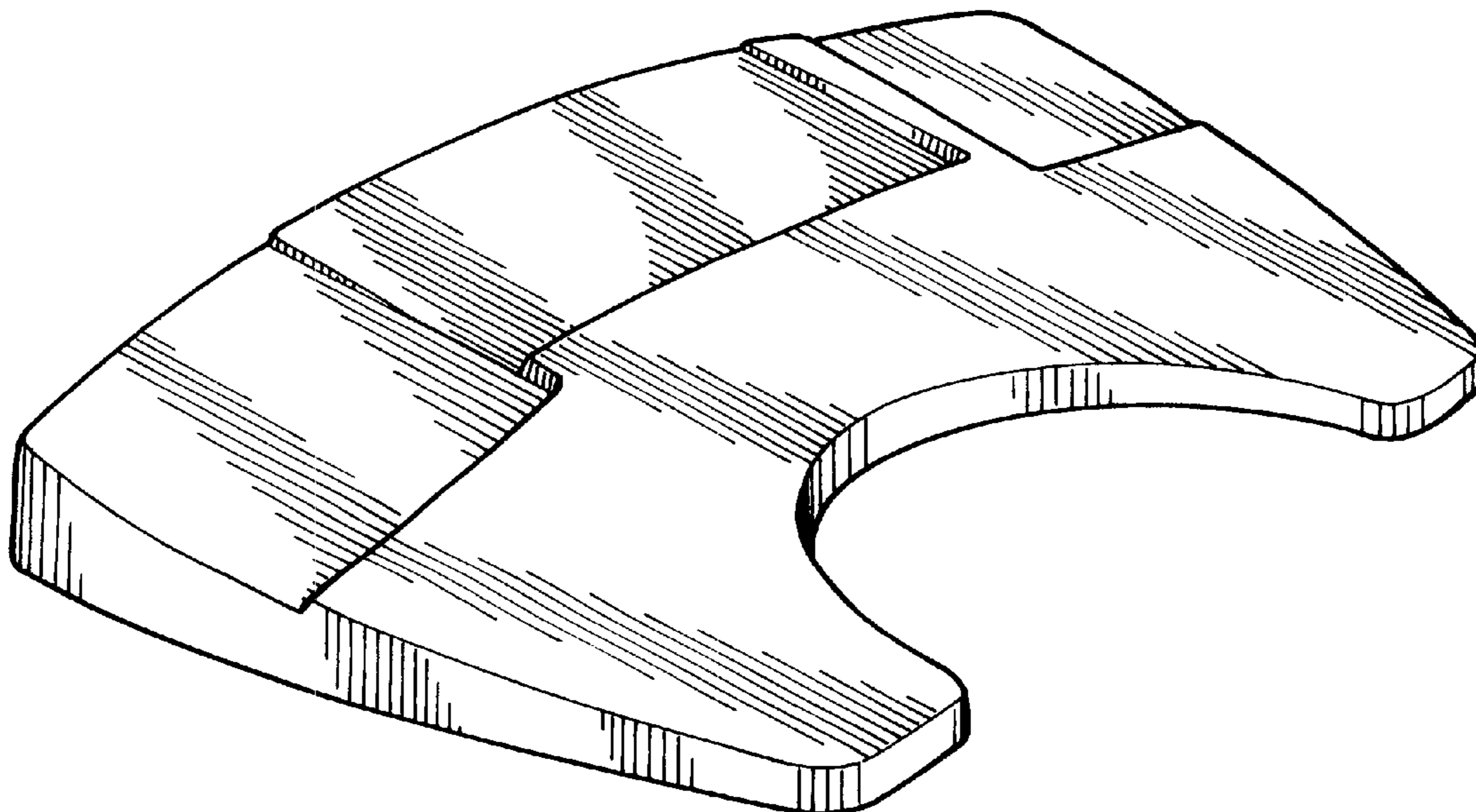
(57) **CLAIM**

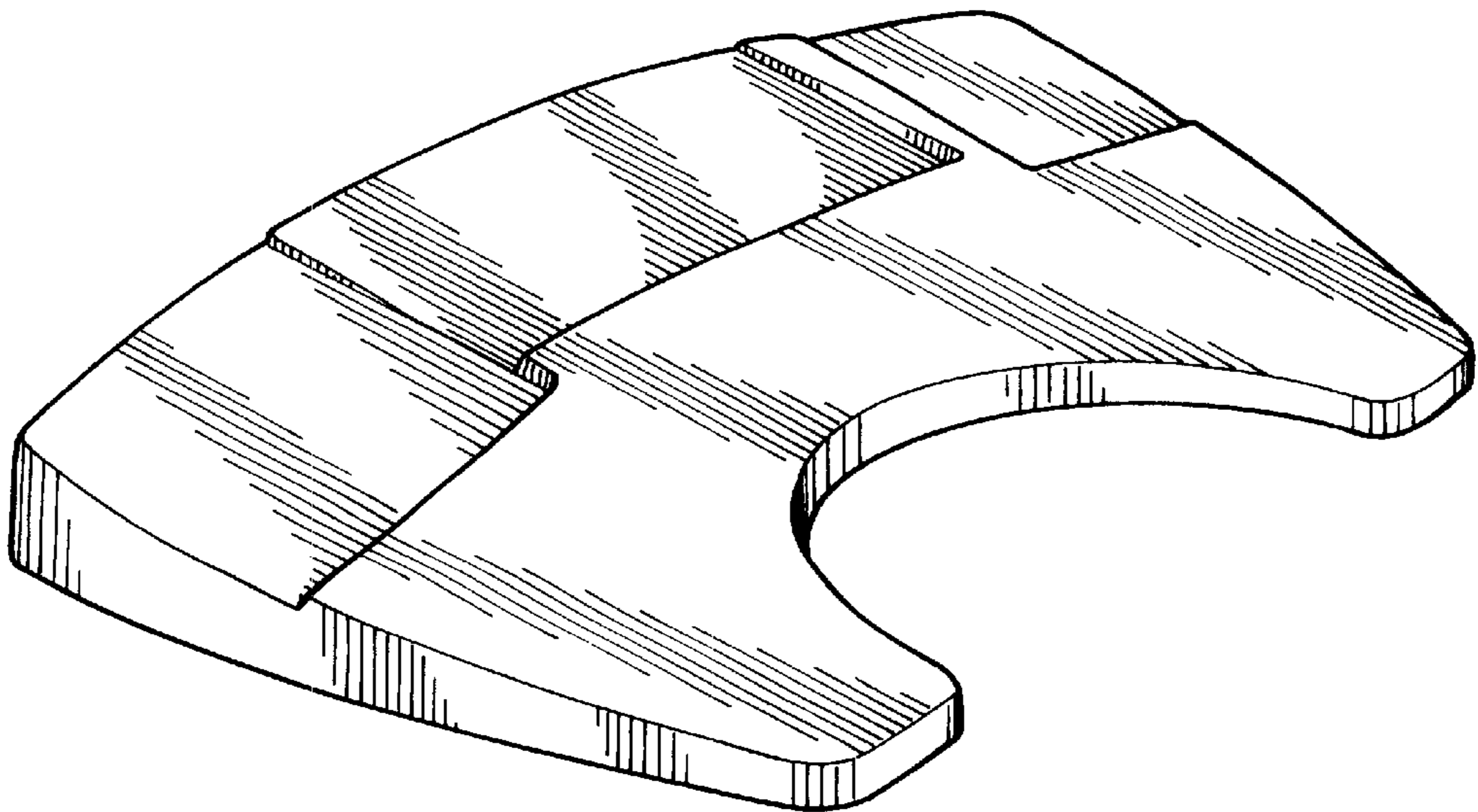
The ornamental design for an ergonomic keyboard support,  
as shown and described.

**DESCRIPTION**

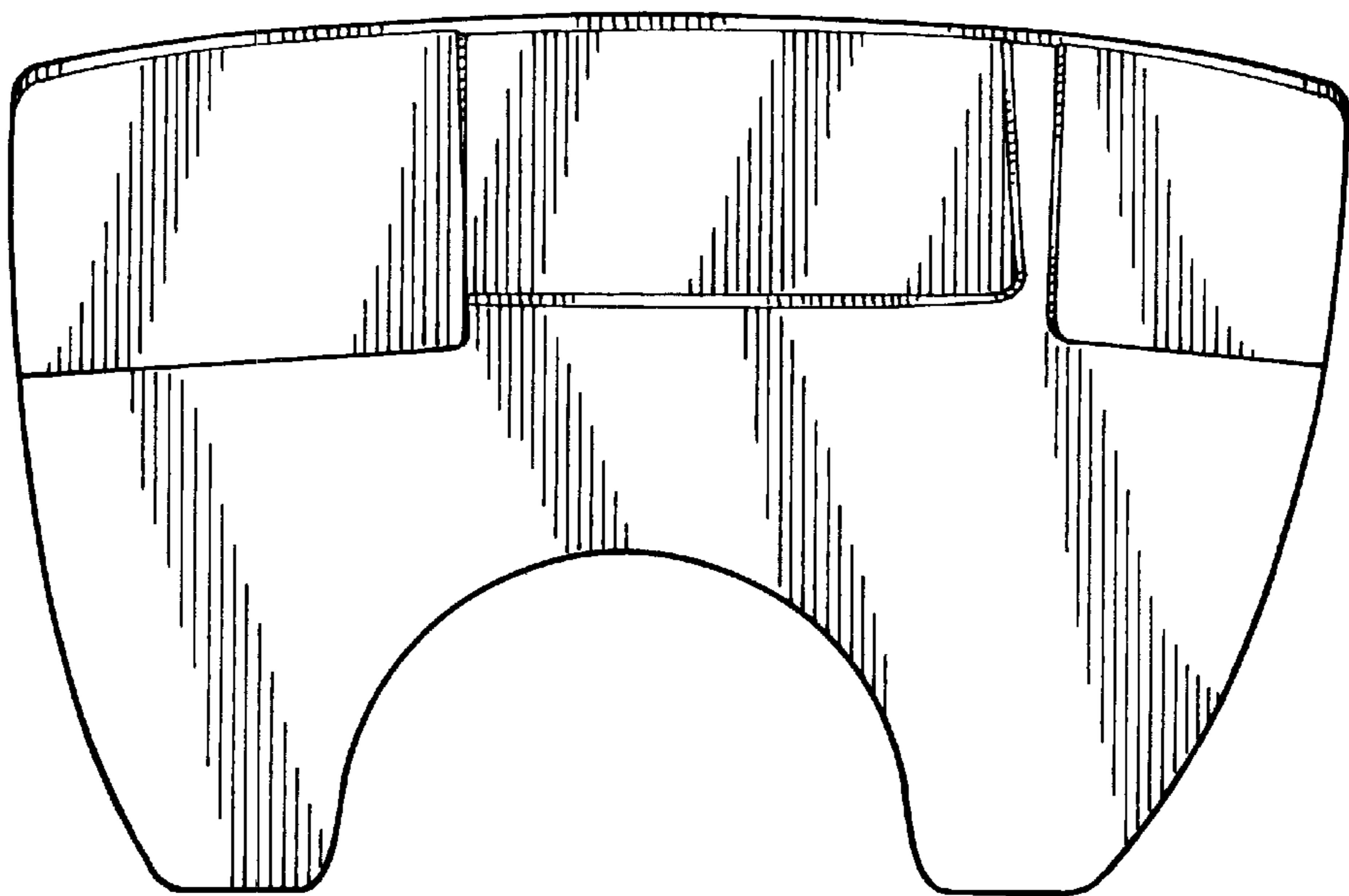
FIG. 1 is a front perspective view of an ergonomic keyboard  
support showing my new design;  
FIG. 2 is a top plan view thereof;  
FIG. 3 is a front elevational view thereof;  
FIG. 4 is a left side elevational view thereof;  
FIG. 5 is a right side elevational view thereof;  
FIG. 6 is a rear elevational view thereof; and,  
FIG. 7 is a bottom plan view thereof.

**1 Claim, 2 Drawing Sheets**

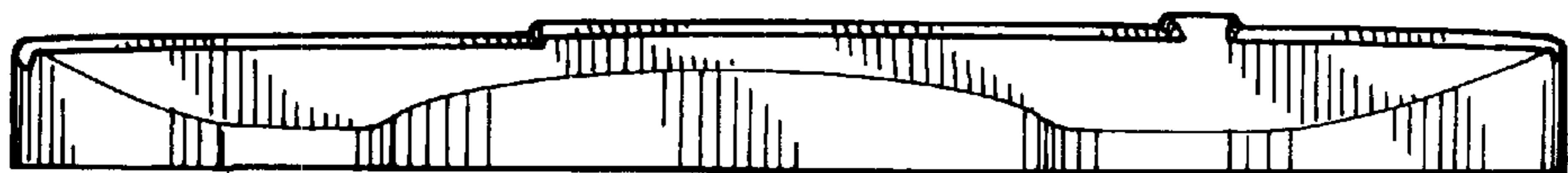




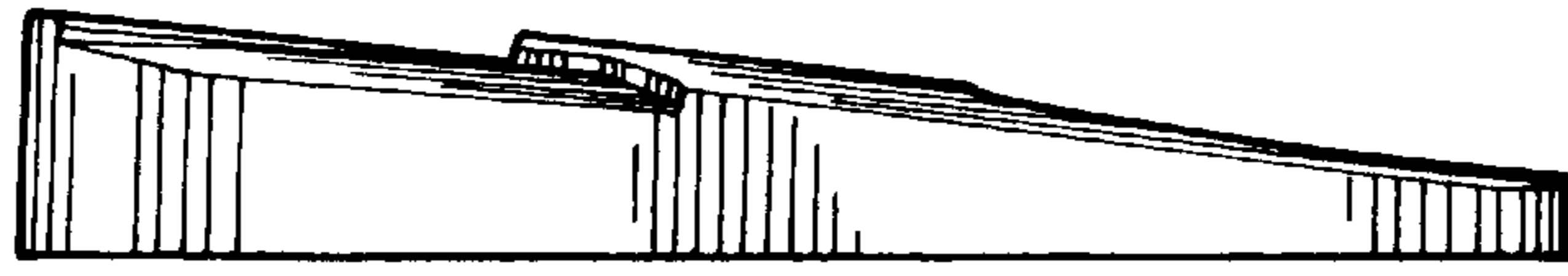
*FIG. 1*



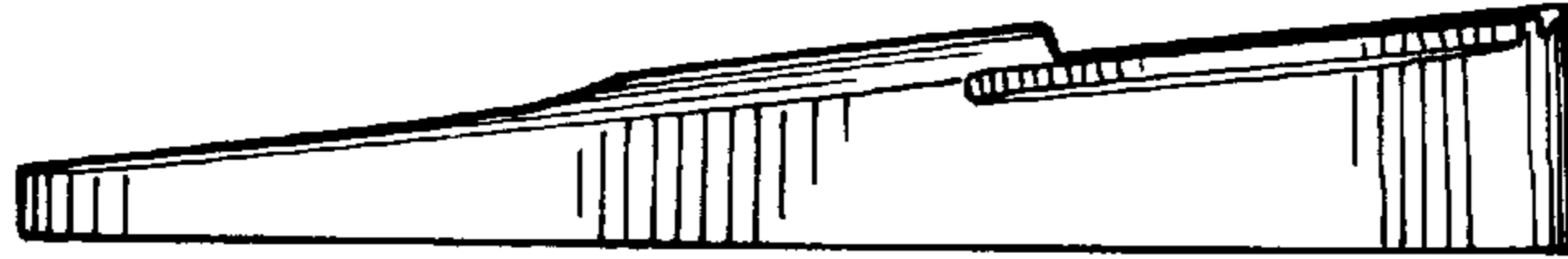
*FIG. 2*



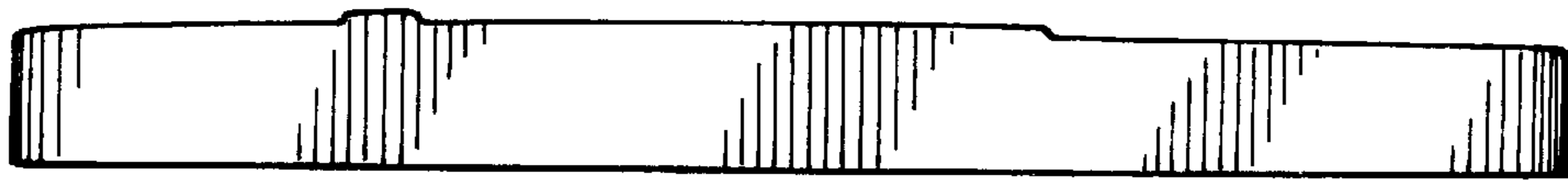
*FIG. 3*



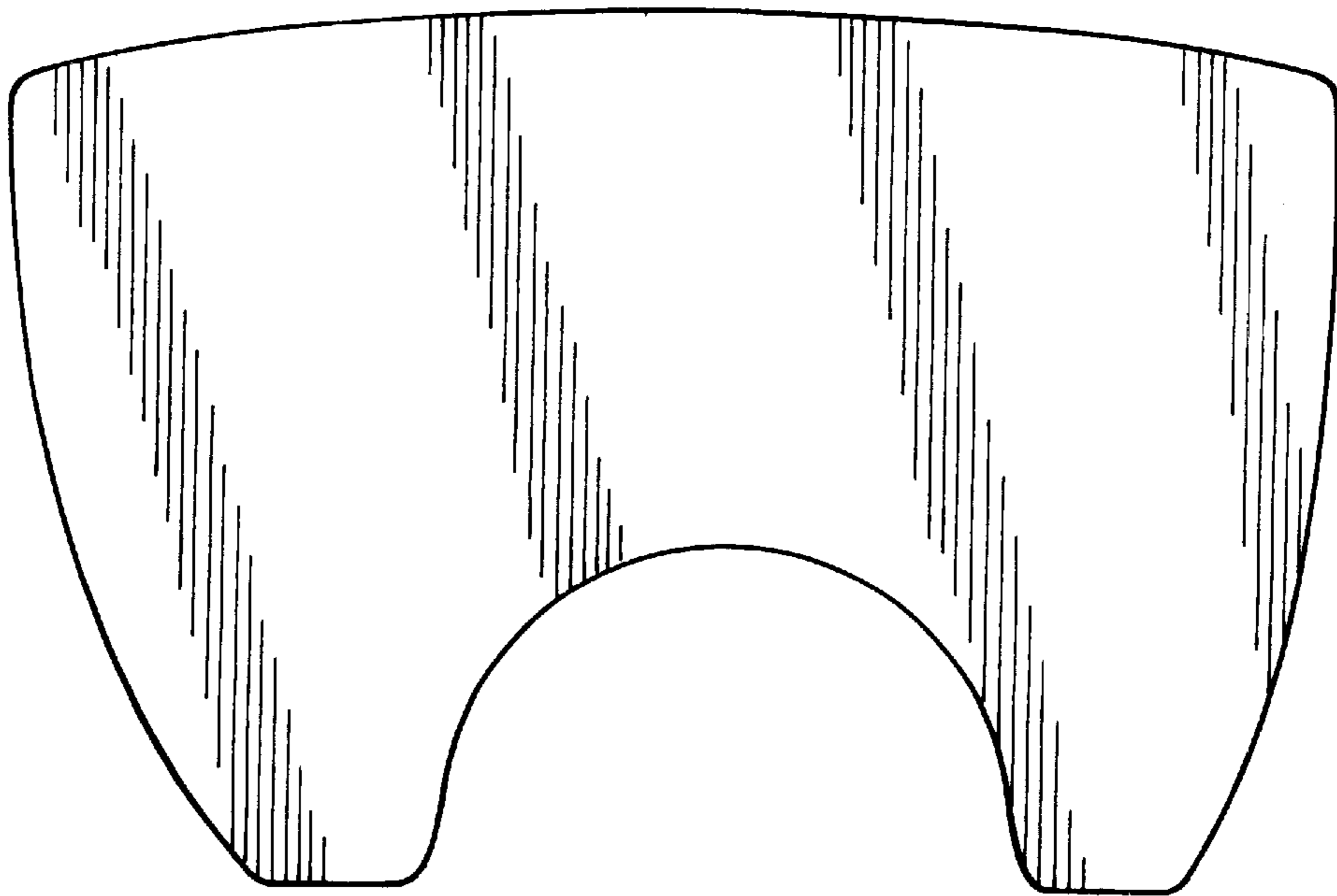
*FIG. 4*



*FIG. 5*



*FIG. 6*



*FIG. 7*