



US00D454565S

(12) **United States Design Patent**
Harriman

(10) **Patent No.:** **US D454,565 S**

(45) **Date of Patent:** **** Mar. 19, 2002**

(54) **DISPLAY HOUSING**

(75) **Inventor:** **Mark H. Harriman**, Olympia, WA
(US)

(73) **Assignee:** **Display Werks, Inc.**, Tumwater, WA
(US)

(**) **Term:** **14 Years**

(21) **Appl. No.:** **29/135,673**

(22) **Filed:** **Jan. 16, 2001**

(51) **LOC (7) Cl.** **14-02**

(52) **U.S. Cl.** **D14/374**

(58) **Field of Search** D14/371, 374,
D14/125-129; 341/12; 345/104, 156, 168,
173, 87; 348/180, 184, 325, 739; 349/1,
2, 11, 62; 248/917-924; 361/680-686

(56) **References Cited**

U.S. PATENT DOCUMENTS

5,060,114 A	10/1991	Feinberg et al.	361/387
5,146,354 A	9/1992	Plesinger	359/49
5,170,195 A	12/1992	Akiyama et al.	353/54
5,255,109 A	10/1993	Klein	359/43
5,299,038 A	3/1994	Hamada et al.	359/49
D356,548 S	* 3/1995	Bottcher et al.	D14/341
5,422,751 A	6/1995	Lewis et al.	359/83
5,432,526 A	7/1995	Hyatt	345/87
5,504,605 A	4/1996	Sakuma et al.	359/83
5,583,529 A	12/1996	Satou	345/87
5,583,681 A	12/1996	Shioya et al.	349/60
5,606,341 A	2/1997	Aguilera	345/87
5,636,101 A	6/1997	Bonsall et al.	361/681
5,677,746 A	10/1997	Yano	349/58
5,748,269 A	5/1998	Harris et al.	349/58
5,757,615 A	5/1998	Donahoe et al.	361/687
5,764,314 A	6/1998	Narayan et al.	349/58

D396,222 S	* 7/1998	Morgan et al.	D14/374
5,818,010 A	10/1998	McCann	219/210
5,818,564 A	10/1998	Gray et al.	349/161
D403,309 S	* 12/1998	Takemasa et al.	D14/374
D414,473 S	* 9/1999	Kummel et al.	D14/374
6,020,687 A	1/2000	Shimada et al.	345/87
6,065,677 A	5/2000	Lippert et al.	235/462.43
6,089,751 A	7/2000	Conover et al.	374/183
6,144,360 A	11/2000	Evanicky et al.	345/102

FOREIGN PATENT DOCUMENTS

JP	4-125538	4/1992
JP	6-18916	1/1994
JP	11-15023	1/1999

* cited by examiner

Primary Examiner—Freda Nunn

(74) *Attorney, Agent, or Firm*—Seed IP Law Group, PLLC

(57) **CLAIM**

The ornamental design for a display housing, as shown and described.

DESCRIPTION

FIG. 1 is a front isometric view of my new design.

FIG. 2 is a rear isometric view.

FIG. 3 is a front view.

FIG. 4 is a rear view.

FIG. 5 is a top view.

FIG. 6 is a bottom view.

FIG. 7 is a left side view.

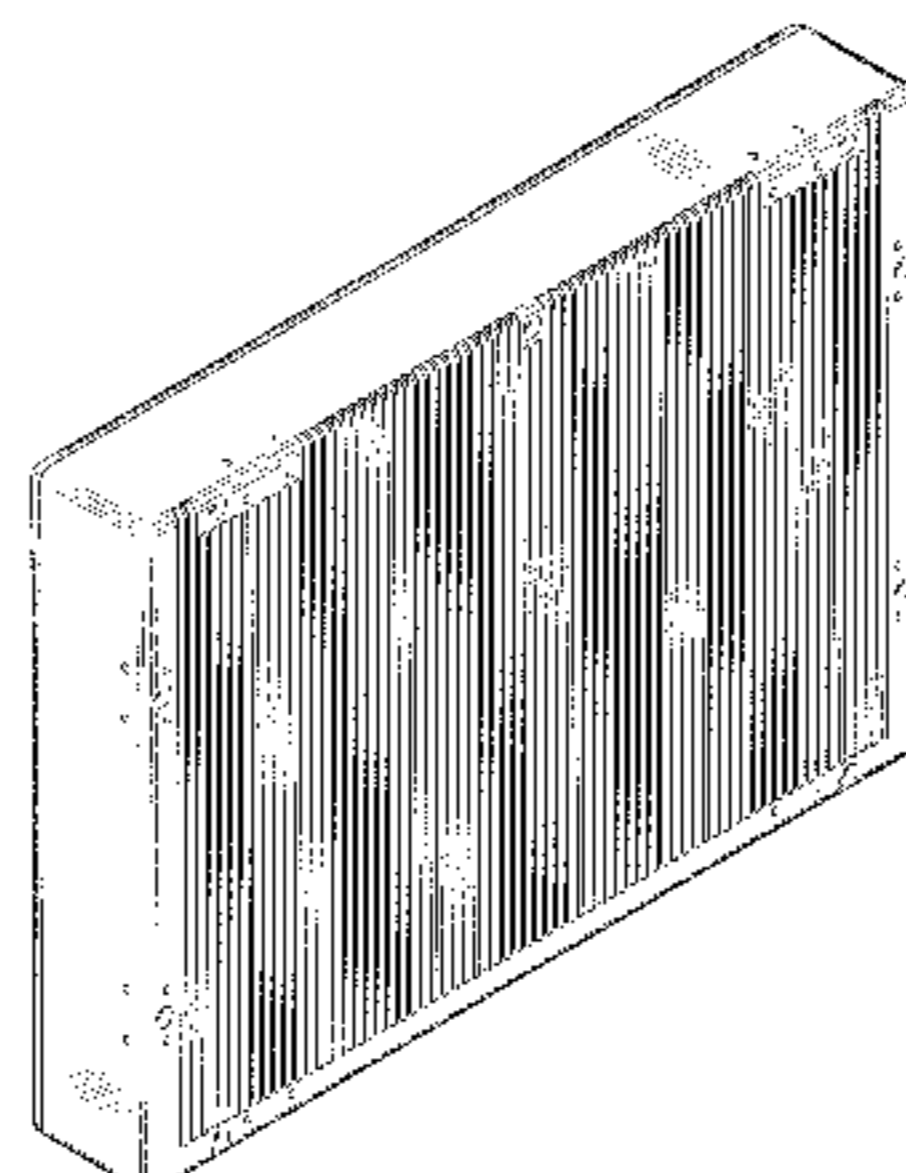
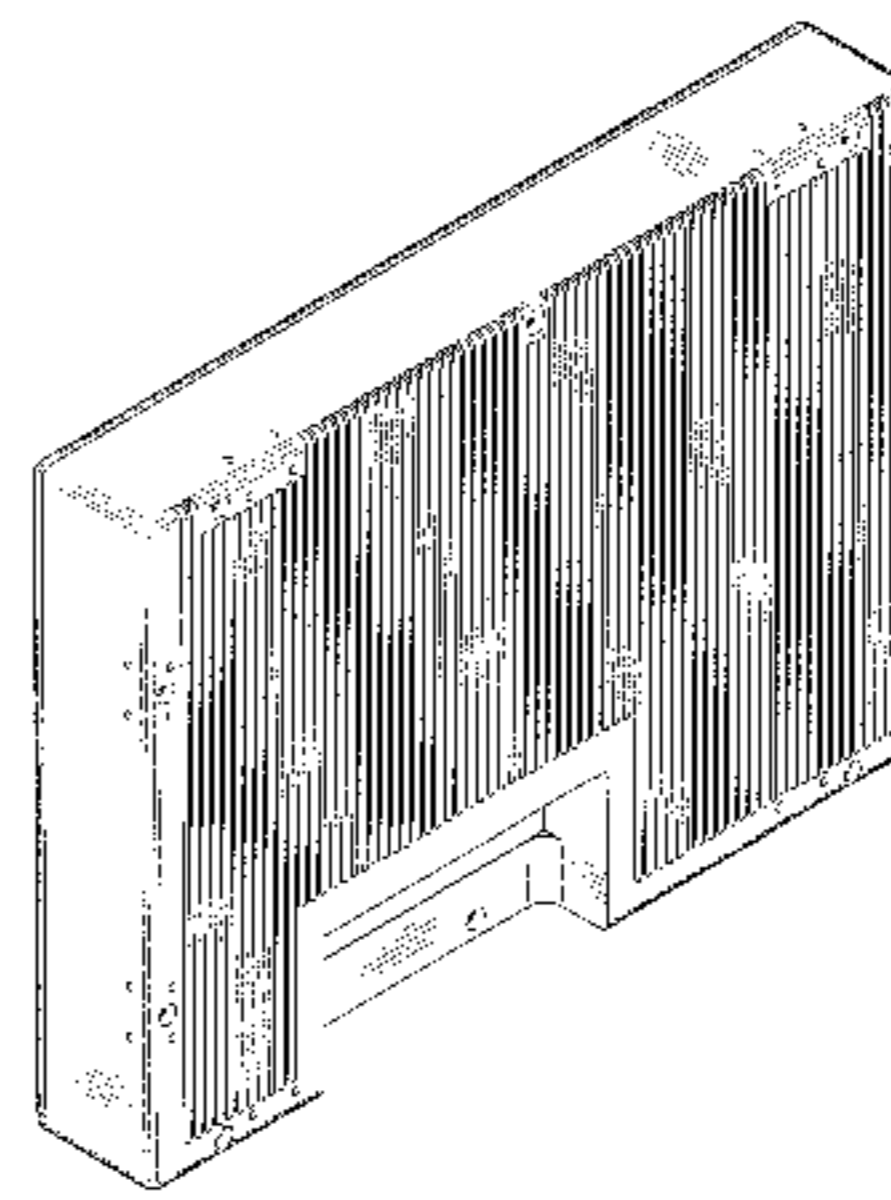
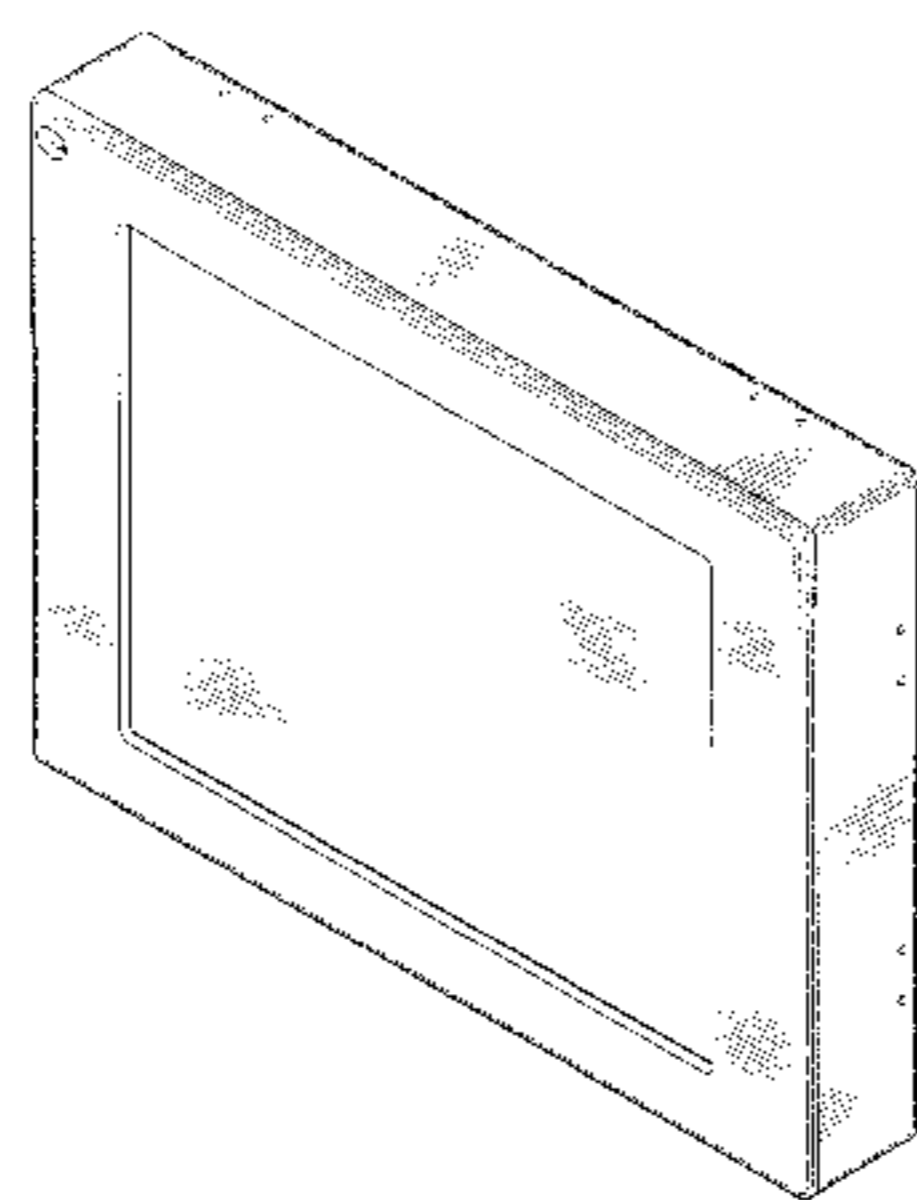
FIG. 8 is a right side view.

FIG. 9 is a rear isometric view of an alternative embodiment of my new design. The front, left, right, and top are identical to those illustrated in FIGS. 3, 5, 7, and 8, respectively.

FIG. 10 is a rear view of the alternative embodiment; and,

FIG. 11 is a bottom view of the alternative embodiment.

1 Claim, 5 Drawing Sheets



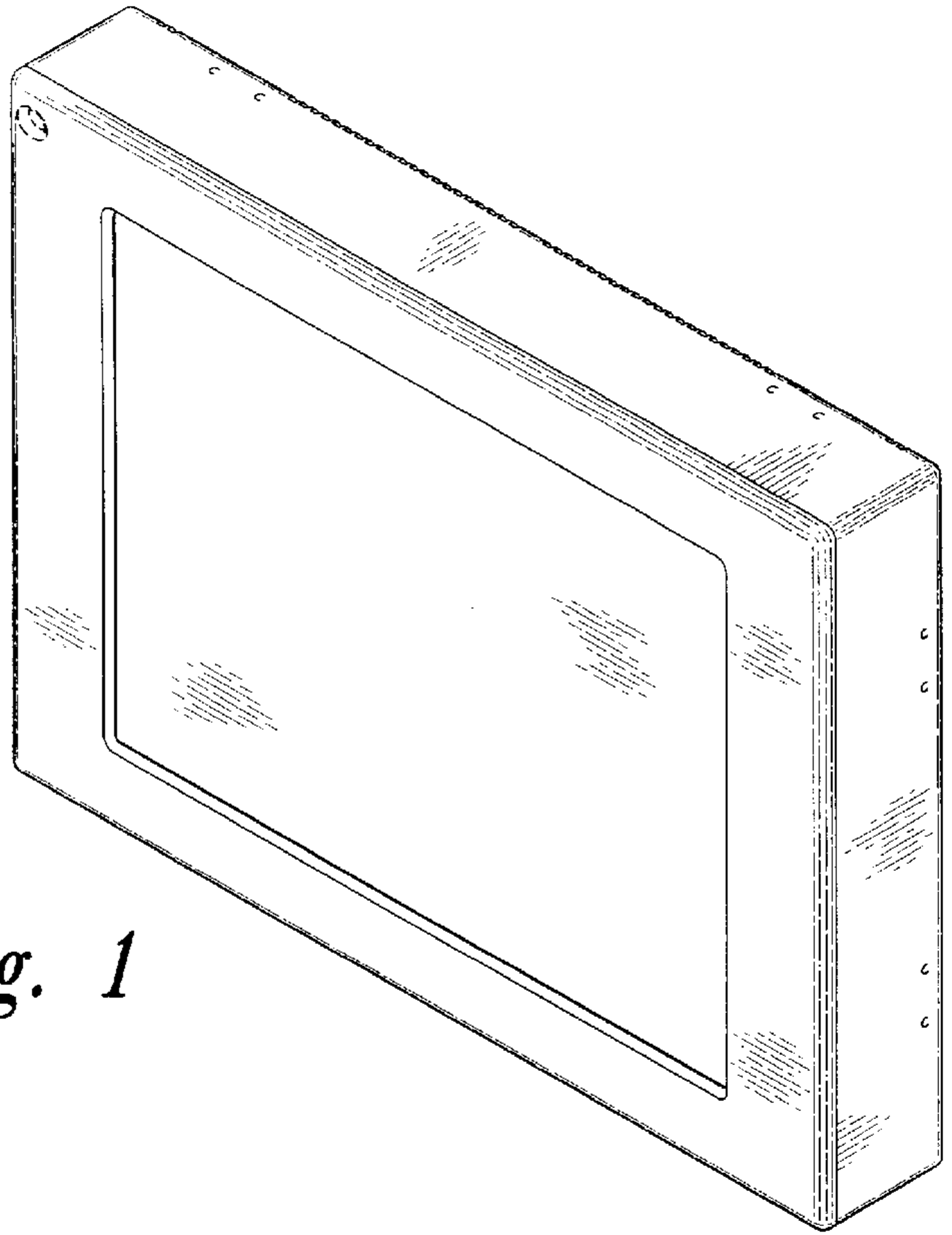


Fig. 1

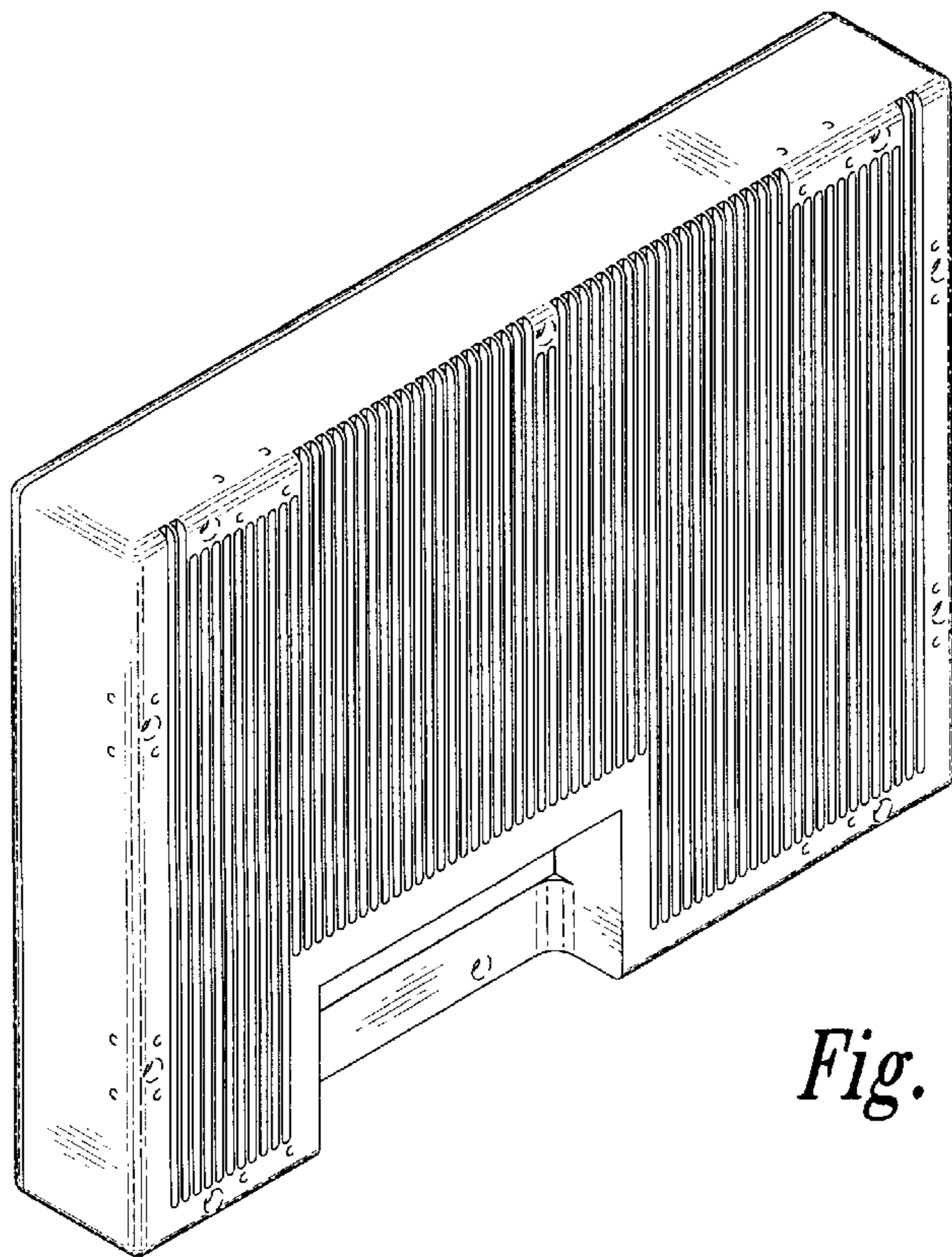


Fig. 2

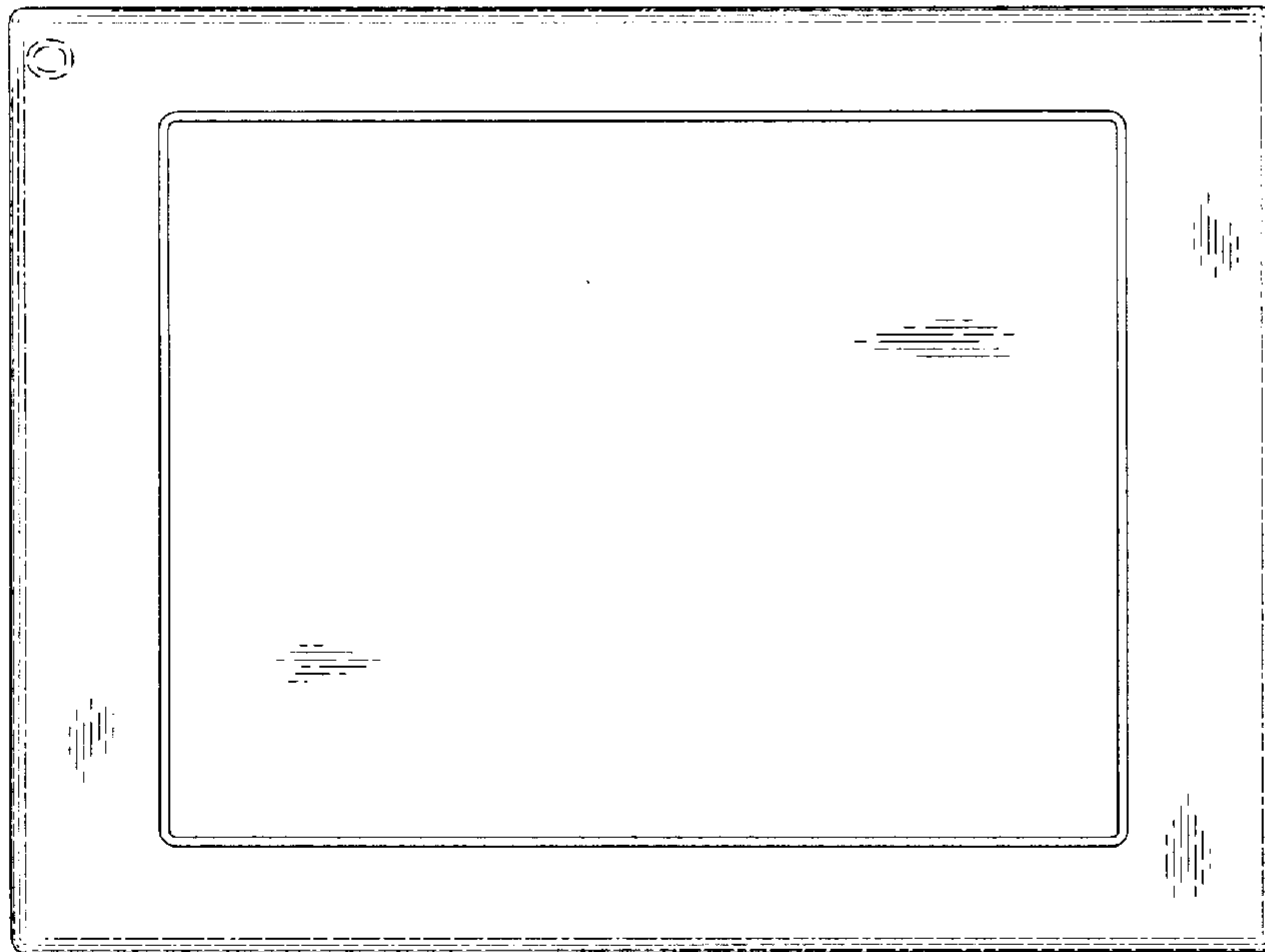


Fig. 3

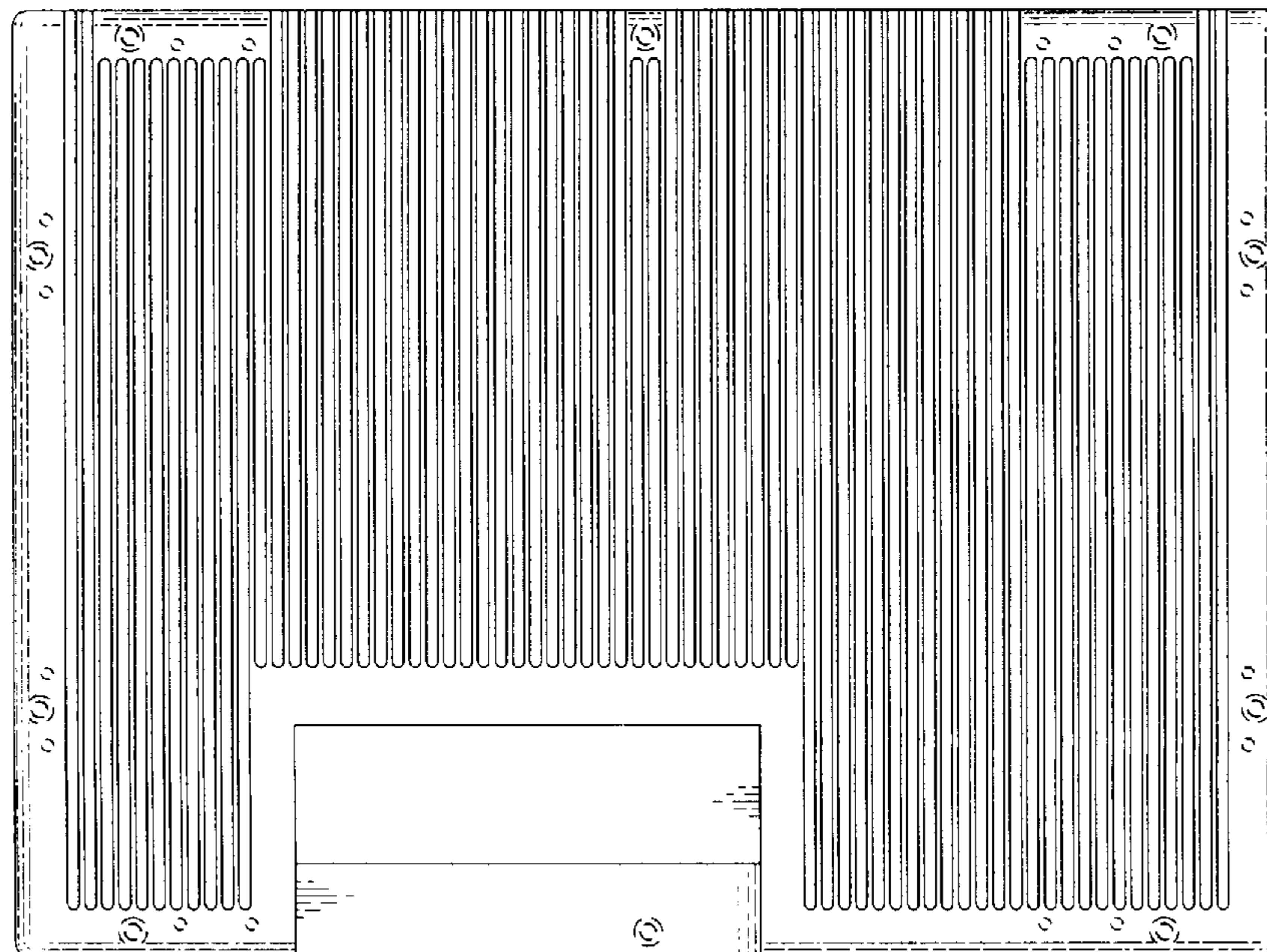


Fig. 4



Fig. 5

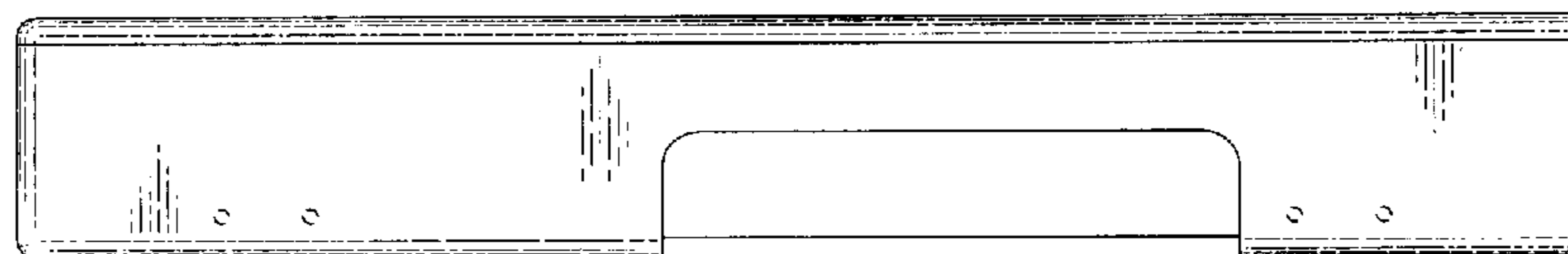


Fig. 6

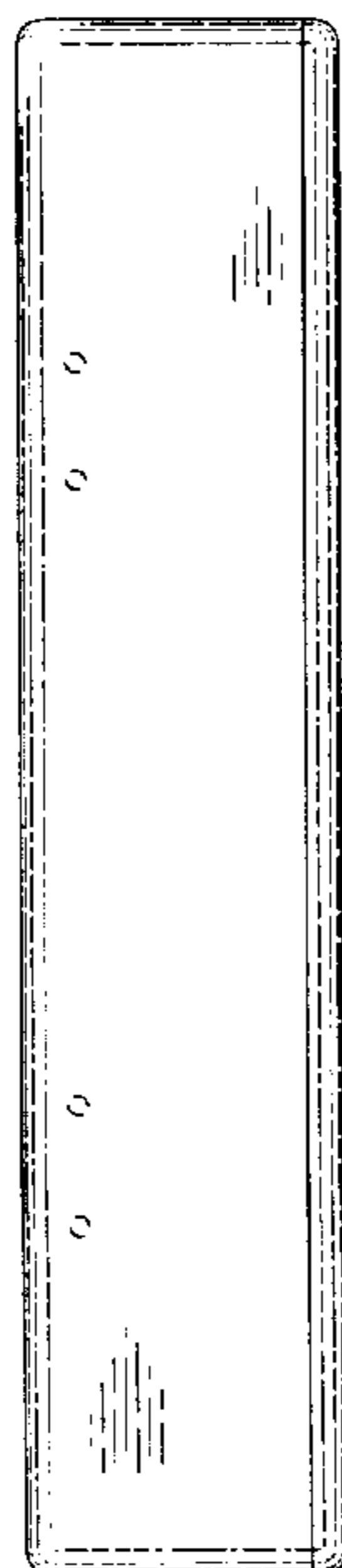


Fig. 7

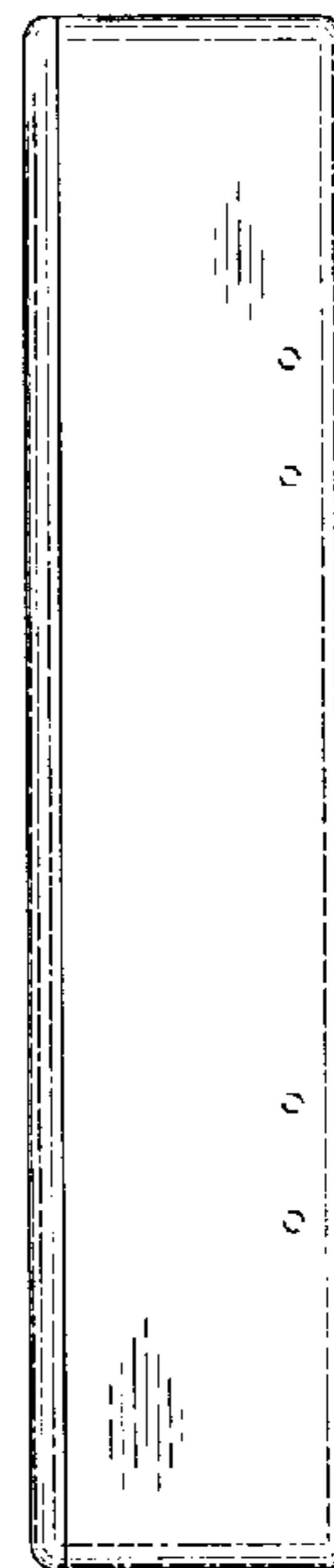


Fig. 8

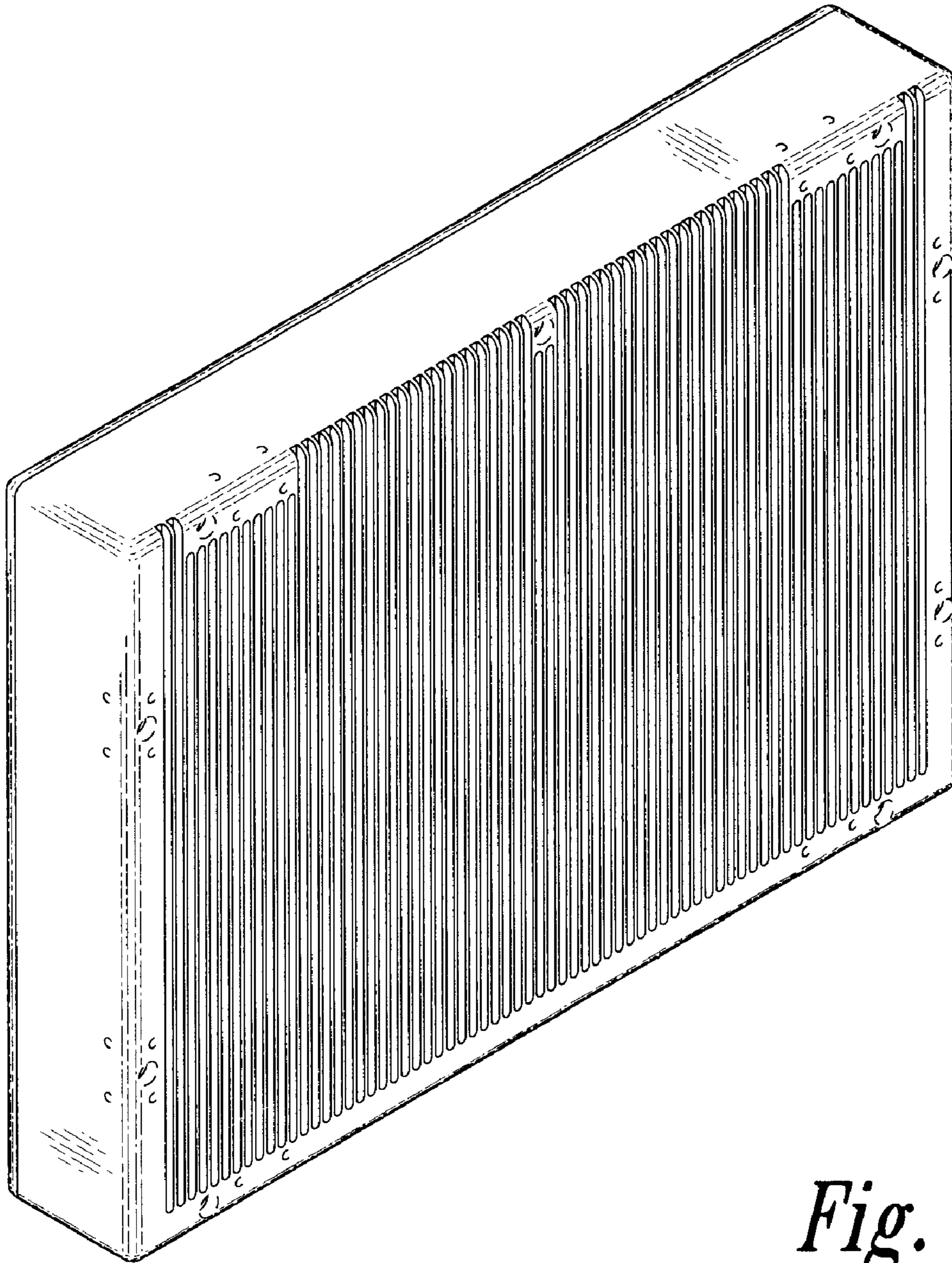


Fig. 9

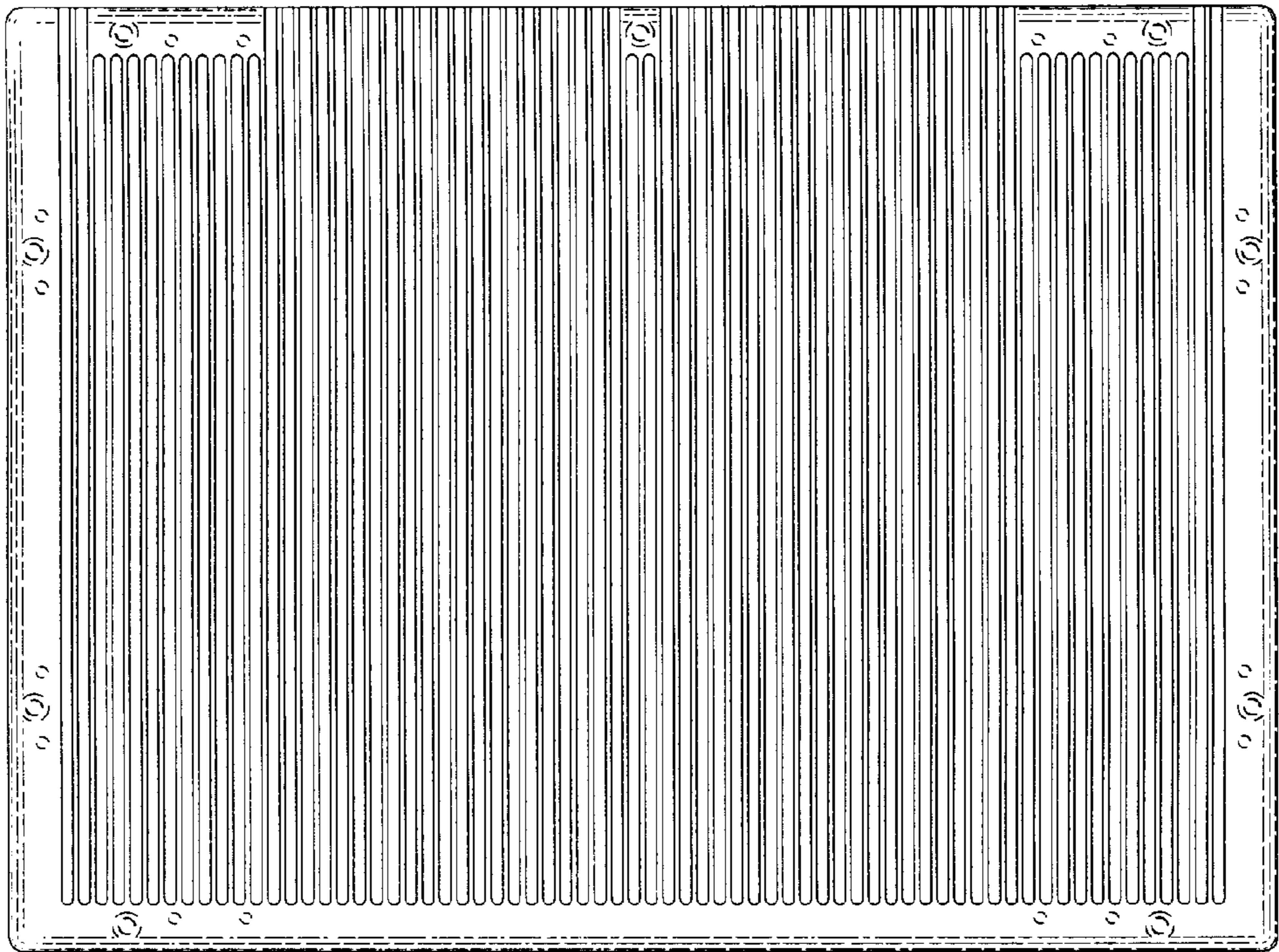


Fig. 10

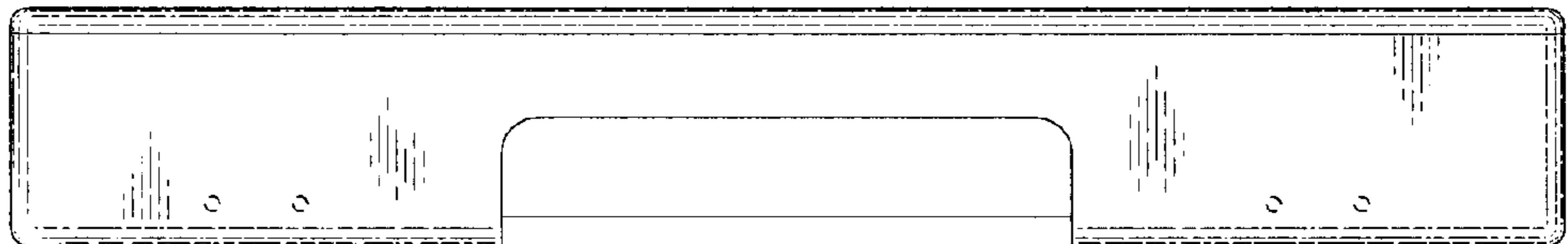


Fig. 11