



US00D454561S

(12) **United States Design Patent**
Hollinger

(10) **Patent No.:** **US D454,561 S**

(45) **Date of Patent:** **** Mar. 19, 2002**

(54) **CELL PHONE HOLDER**

(75) **Inventor:** **Fred Hollinger**, Kings Park, NY (US)

(73) **Assignee:** **E & B Giftware LLC**, Yonkers, NY (US)

(**) **Term:** **14 Years**

(21) **Appl. No.:** **29/140,938**

(22) **Filed:** **Apr. 26, 2001**

(51) **LOC (7) Cl.** **14-03**

(52) **U.S. Cl.** **D14/253; D14/243**

(58) **Field of Search** D14/137, 434,
D14/138, 447, 148, 147, 149-151, 140-142,
243, 240, 241, 251, 253, 457, 451, 252,
254; 379/426, 449, 419, 420.04, 428.01,
440, 454, 455, 446; 455/550-575, 90; D13/107,
108; 320/110, 113, 114, 115; D3/218; D19/87

(56) **References Cited**

U.S. PATENT DOCUMENTS

D240,431 S	*	7/1976	Stapp	D14/251
D288,876 S	*	3/1987	Goetz et al.	D6/449
D291,316 S	*	8/1987	Johnston et al.	D14/457
D319,262 S	*	8/1991	Brinker et al.	D19/86 X
D320,980 S	*	10/1991	Howard et al.	D14/457
D323,504 S	*	1/1992	Langton	D14/149 X
D335,227 S	*	5/1993	Lapsker et al.	D6/449
D351,164 S	*	10/1994	Siddoway et al.	D14/149
D363,284 S	*	10/1995	Solomita	D14/149
D366,659 S	*	1/1996	Ross et al.	D14/447

D372,473 S	*	8/1996	Bungardt	D14/149
D379,819 S	*	6/1997	Kelley et al.	D14/253
D383,749 S	*	9/1997	Nagele et al.	D14/149
D392,969 S	*	3/1998	Margalit et al.	D14/149
D405,093 S	*	2/1999	Sawhney et al.	D14/240
D406,592 S	*	3/1999	Richter	D14/253
D412,702 S	*	8/1999	Goto	D14/434
D417,224 S	*	11/1999	Kfoury	D14/253
D424,512 S	*	5/2000	Ho	D13/103
6,141,418 A	*	10/2000	Weiser et al.	379/454
D443,247 S	*	6/2001	Chuan et al.	D13/107

* cited by examiner

Primary Examiner—Jeffrey Asch

(74) *Attorney, Agent, or Firm*—Gerard F. Dunne

(57) **CLAIM**

I claim the ornamental design for a cell phone holder, as shown and described.

DESCRIPTION

FIG. 1 is a perspective view of an ornamental design used for a cell phone holder;
FIG. 2 is a front plan view thereof;
FIG. 3 is a rear plan view thereof;
FIG. 4 is a left side elevational view thereof;
FIG. 5 is a right side elevational view thereof;
FIG. 6 is a top plan view from FIG. 2 thereof;
FIG. 7 is a bottom view from FIG. 2 thereof; and,
FIG. 8 is a perspective view with a cell phone inserted. The broken line showing of the cell phone is for illustrative purposes only and forms no part of the claimed design.

1 Claim, 6 Drawing Sheets

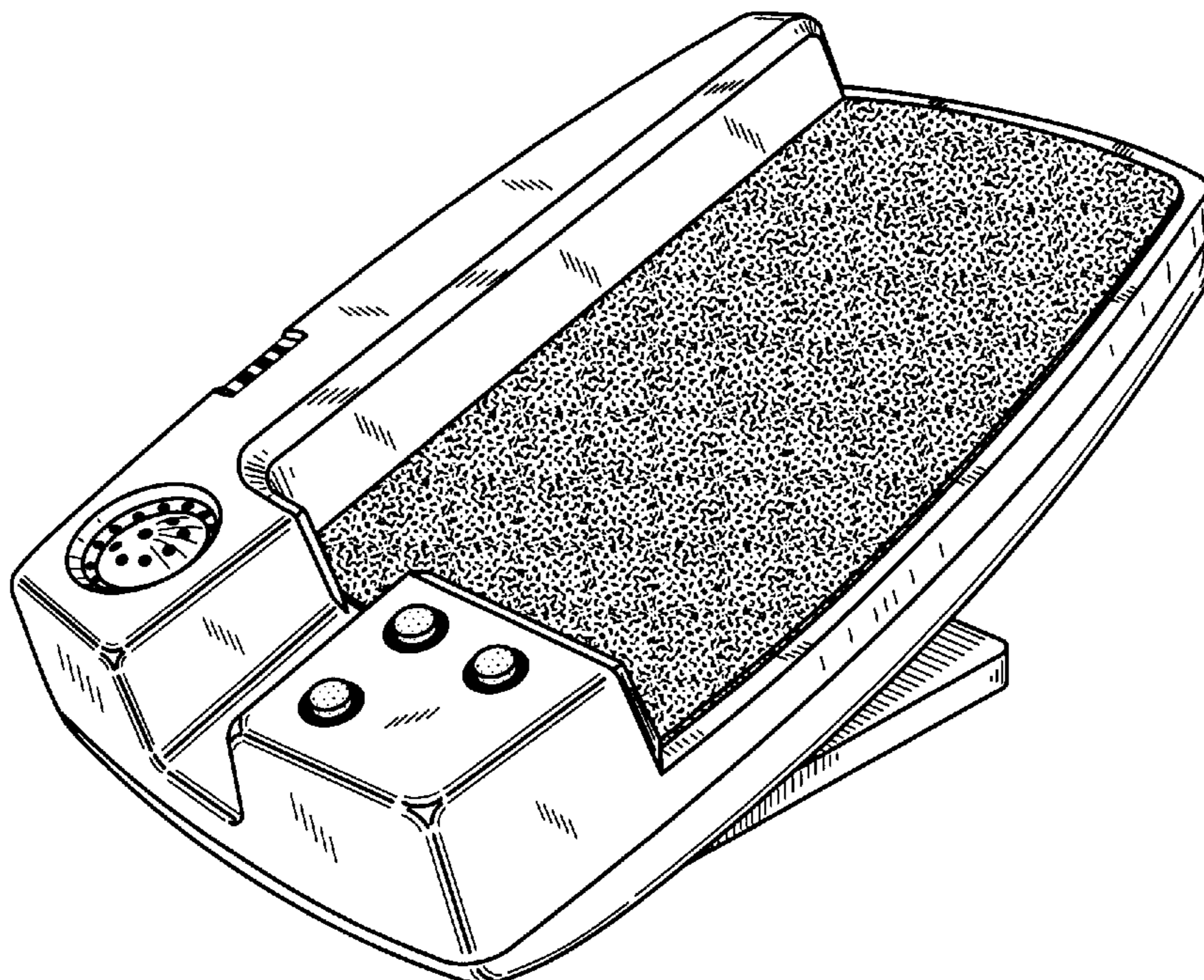


FIG. 1

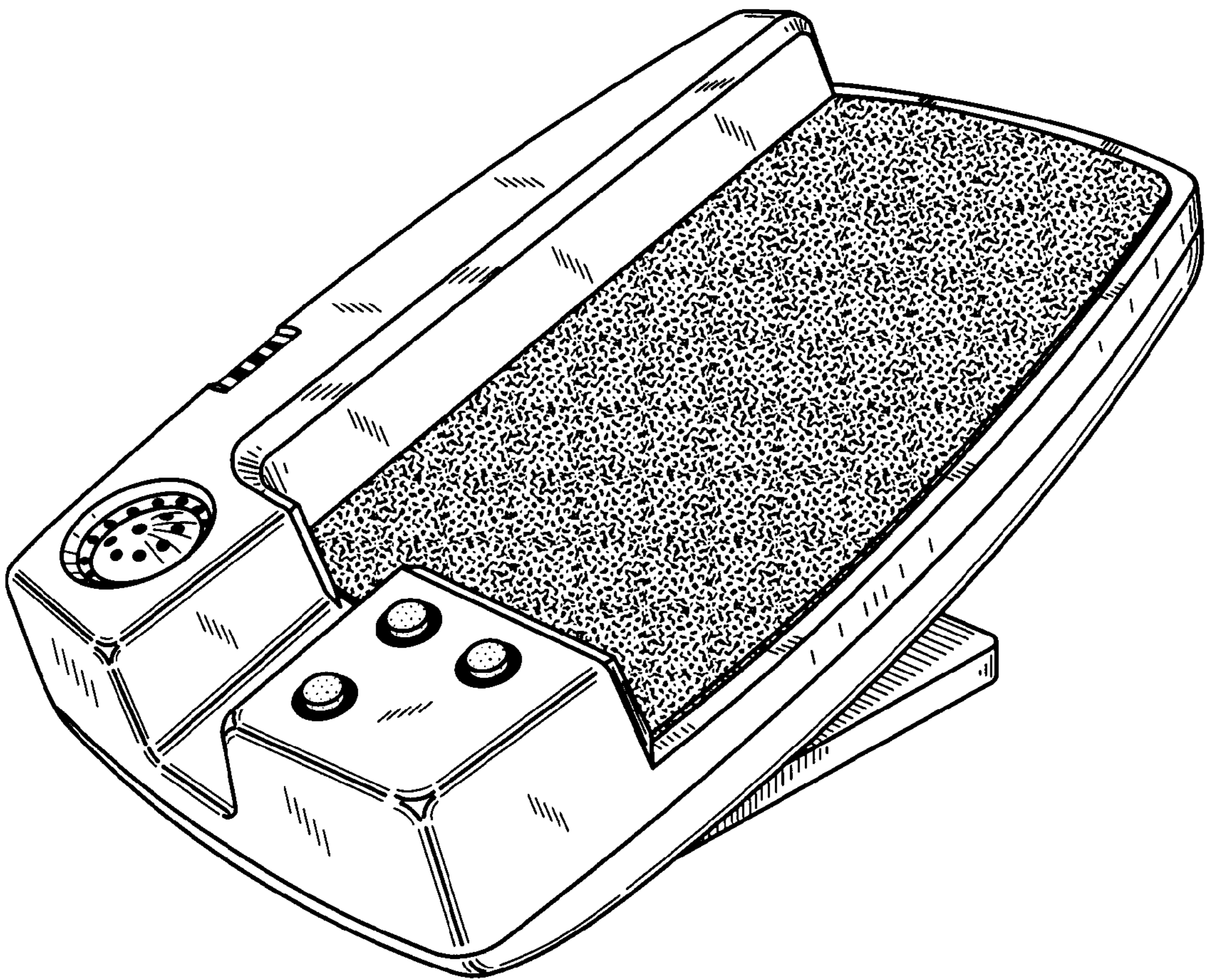


FIG. 2

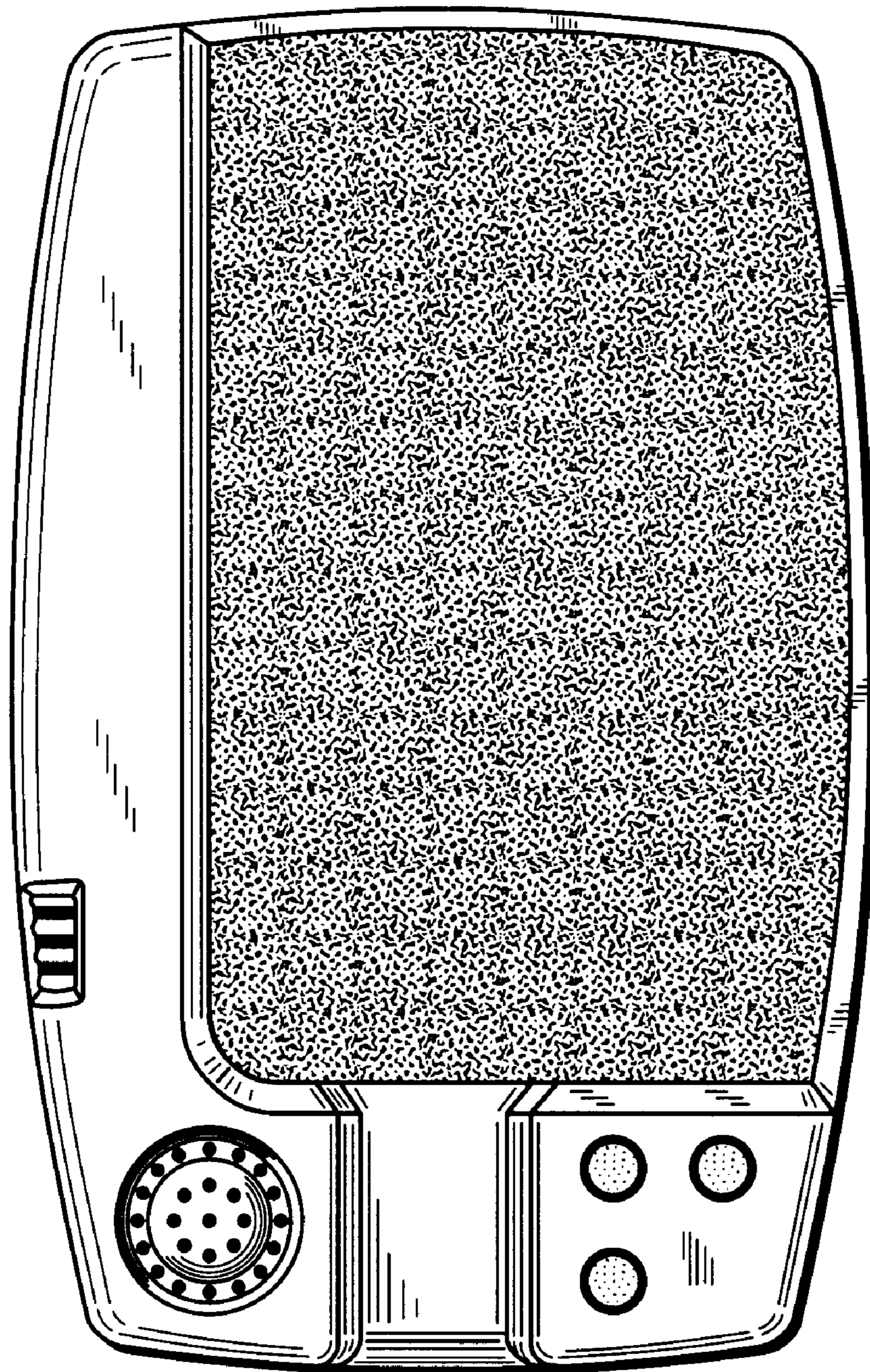


FIG. 3

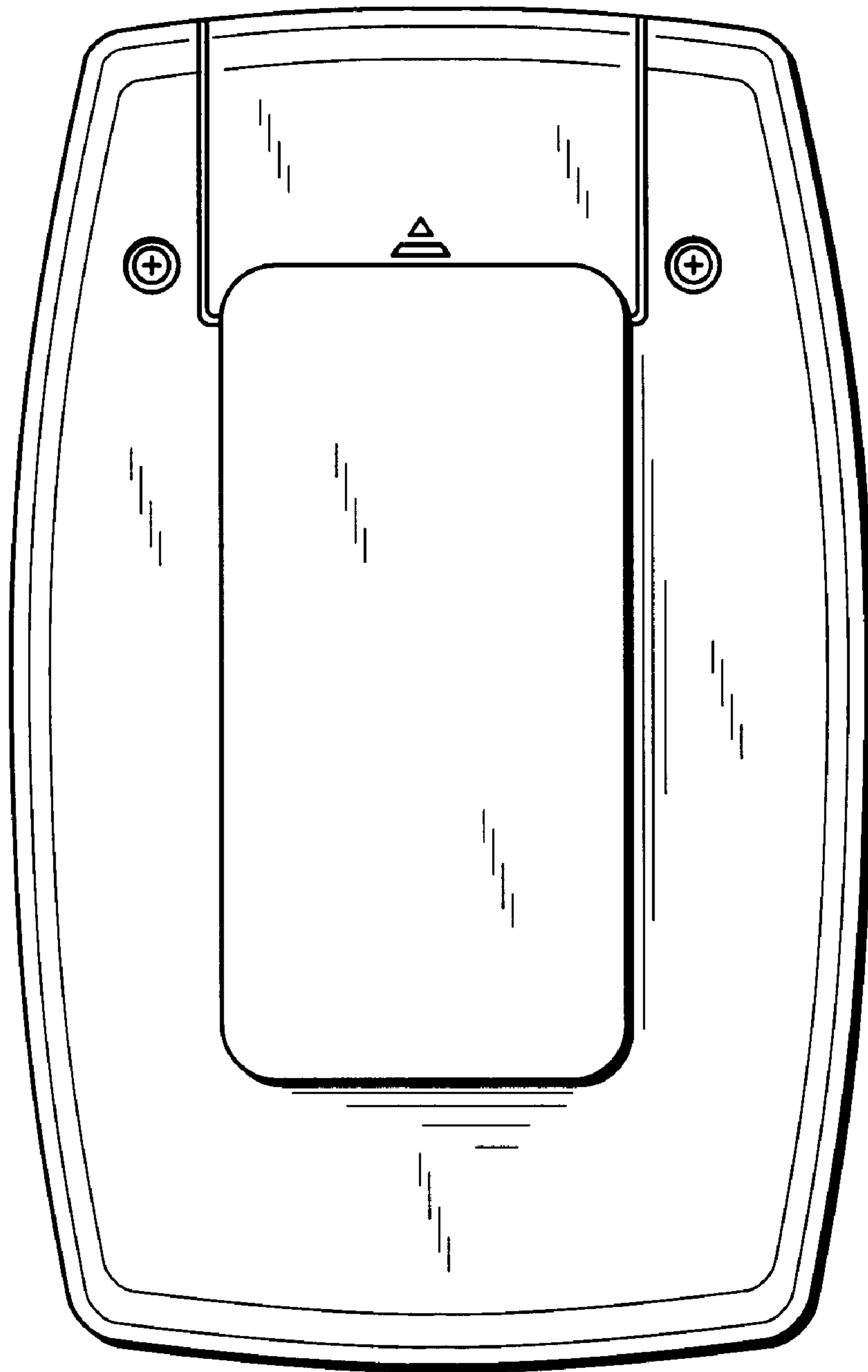


FIG. 4

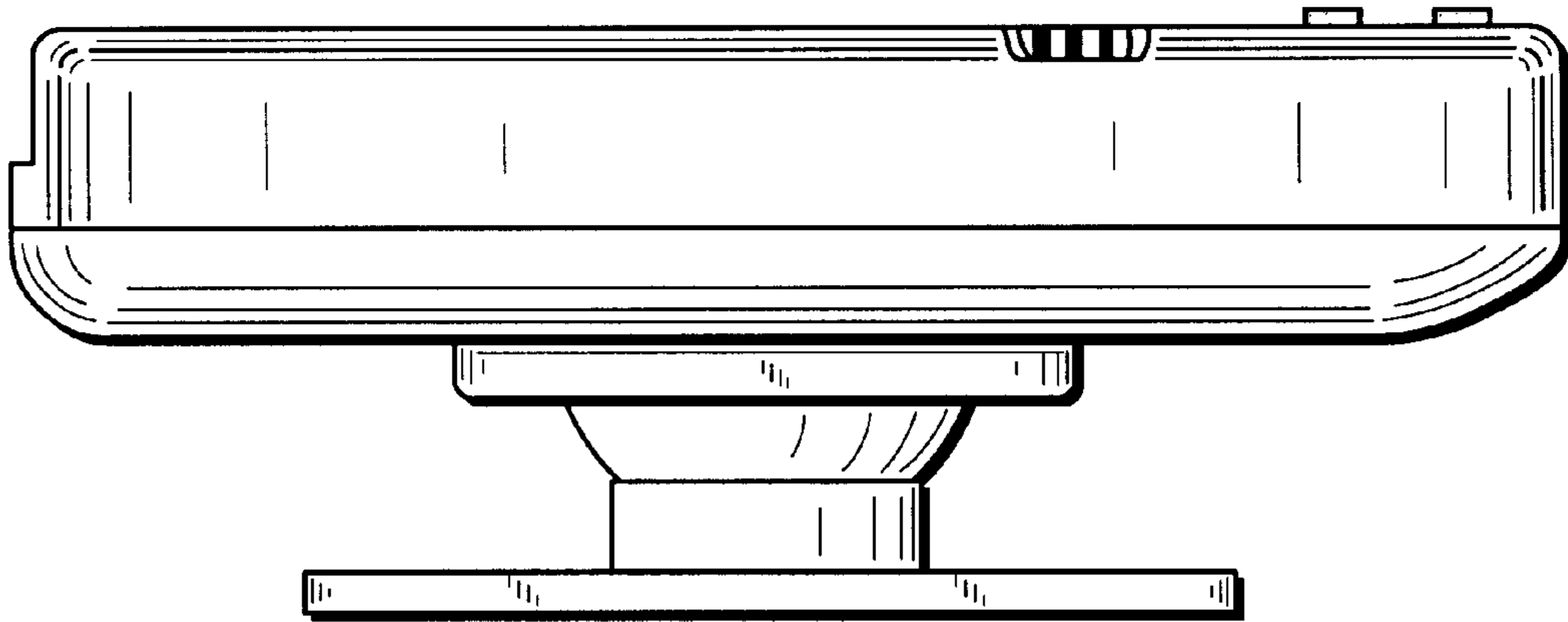


FIG. 5

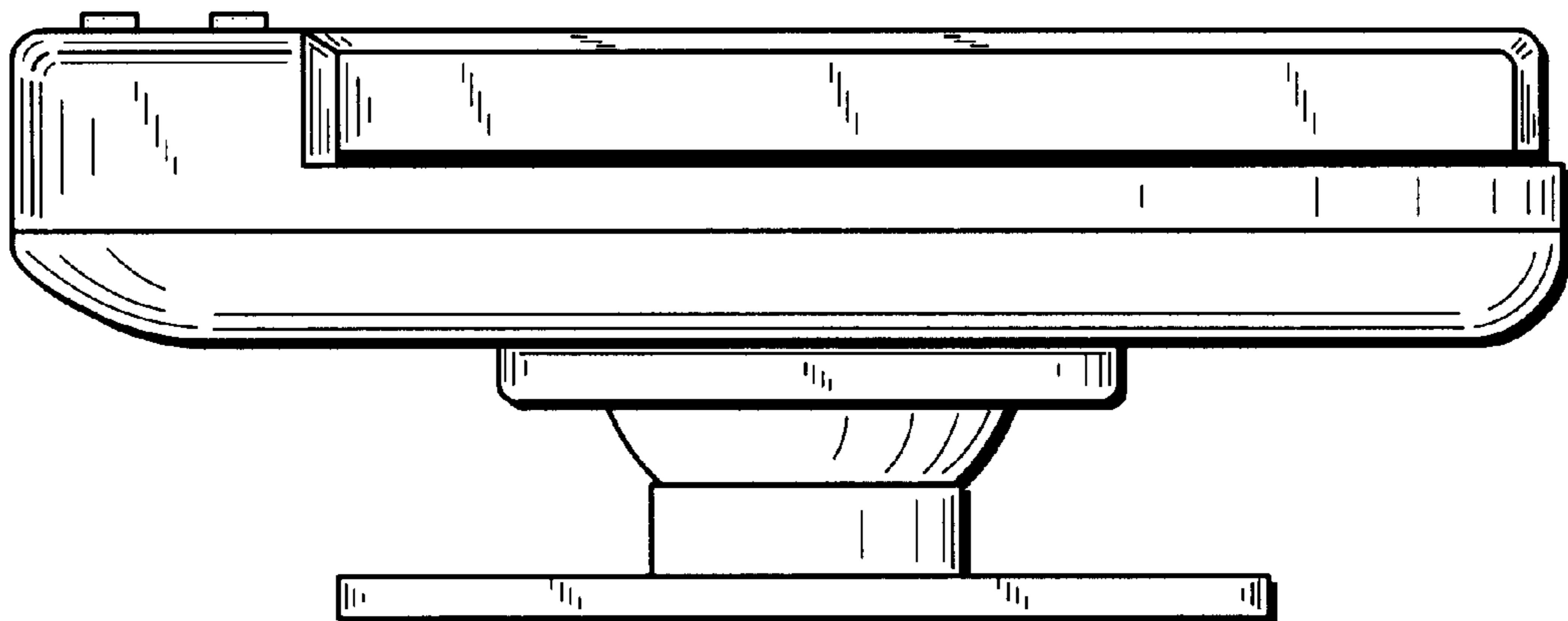


FIG. 6

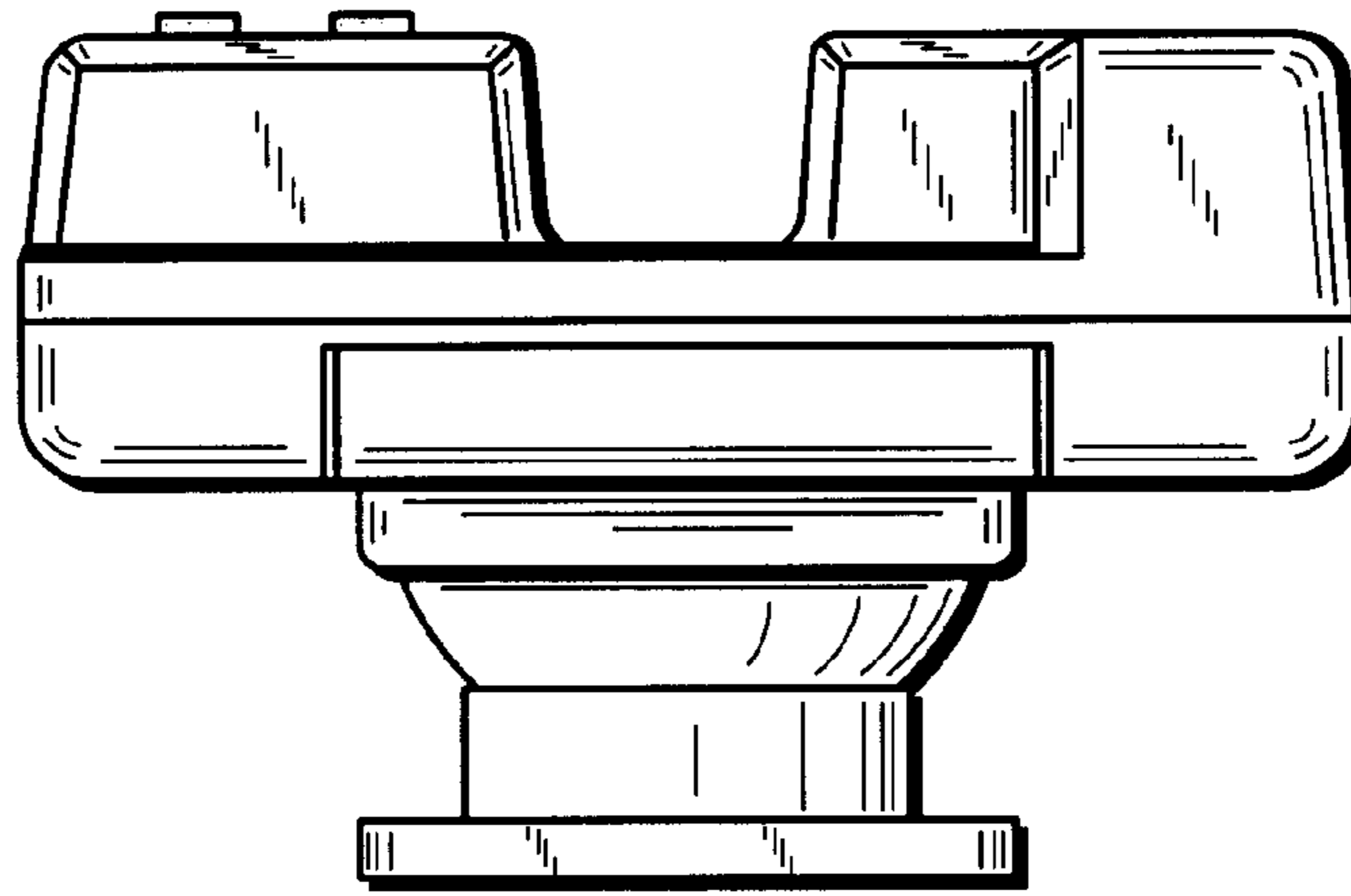


FIG. 7

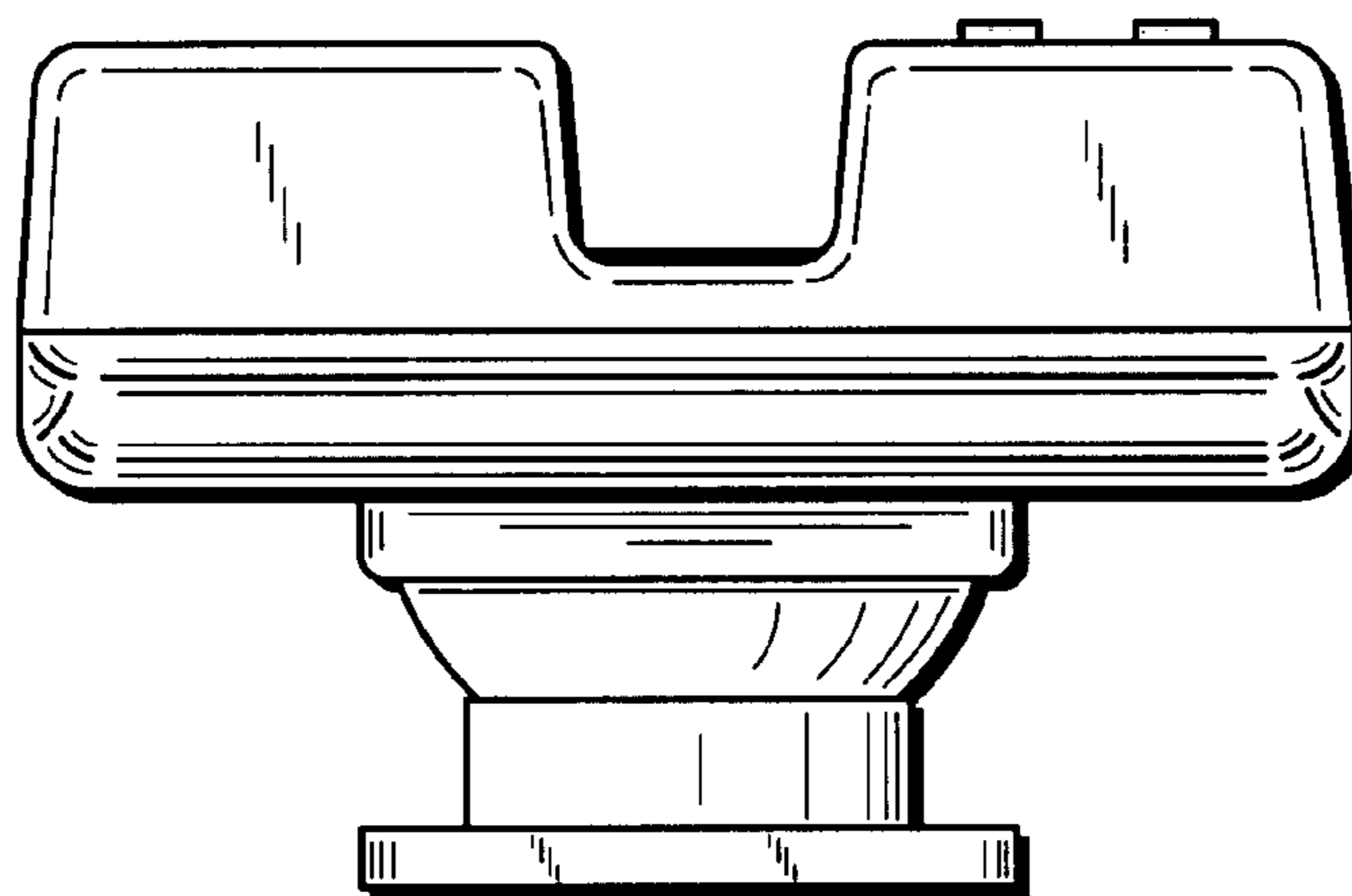


FIG. 8

