



US00D454560S

(12) **United States Design Patent**
Johansson

(10) **Patent No.:** **US D454,560 S**

(45) **Date of Patent:** **** Mar. 19, 2002**

(54) **DISPLAY AND KEY ARRAY FOR A COMMUNICATOR**

(75) Inventor: **Panu Johansson**, Tampere (FI)

(73) Assignee: **Nokia Mobile Phones Ltd.**, Espoo (FI)

(**) Term: **14 Years**

(21) Appl. No.: **29/129,316**

(22) Filed: **Sep. 12, 2000**

(51) **LOC (7) Cl.** **14-03**

(52) **U.S. Cl.** **D14/248; D14/247**

(58) **Field of Search** D14/137, 249,
D14/138, 218, 147-148, 247-248, 144,
455, 456, 341-347, 399, 426, 429, 453;
379/433.434, 419, 420, 428, 440; 455/550-575,
90; D13/168; D18/2, 7, 12

(56) **References Cited**

U.S. PATENT DOCUMENTS

D388,080 S	*	12/1997	Harris et al.	D14/138
5,768,370 A	*	6/1998	Maatta et al.	379/433
D396,230 S	*	7/1998	Phillips et al.	D14/138
D397,689 S	*	9/1998	Harris et al.	D14/138
D402,664 S	*	12/1998	Phillips et al.	D14/247
D402,981 S	*	12/1998	Galletti et al.	D14/138
D405,445 S	*	2/1999	Phillips et al.	D14/138
D408,824 S	*	4/1999	Johansson et al.	D14/247
D409,599 S	*	5/1999	Tattari	D14/138
D409,600 S	*	5/1999	Yang et al.	D14/138

D409,999 S	*	5/1999	Nuovo et al.	D14/138
D415,149 S	*	10/1999	Vuolteenaho et al.	D14/138
D415,489 S	*	10/1999	Ke	D14/138
D421,004 S	*	2/2000	Curtis	D14/138
D423,015 S	*	4/2000	Curtis et al.	D14/248
D424,571 S	*	5/2000	Finkbeiner	D14/247
D425,904 S	*	5/2000	Frye et al.	D14/247
D428,401 S	*	7/2000	Curtis	D14/138
D434,754 S	*	12/2000	Banryu	D14/248
D434,755 S	*	12/2000	Banryu	D14/248
D439,230 S	*	3/2001	Braxton et al.	D14/138

* cited by examiner

Primary Examiner—Jeffrey Asch

(74) *Attorney, Agent, or Firm*—Brian T. Rivers

(57) **CLAIM**

The ornamental design for a display and key array for a communicator, as shown.

DESCRIPTION

FIG. 1 is a left side view of the display and key array;
FIG. 2 is a front view thereof;
FIG. 3 is a right side view thereof;
FIG. 4 is a bottom plan view thereof;
FIG. 5 is a perspective rear view thereof in open position;
and,
FIG. 6 is a perspective front view thereof.
The broken line showings of a communicator throughout the views are for illustrative purposes only and form no part of the claimed design.

1 Claim, 3 Drawing Sheets

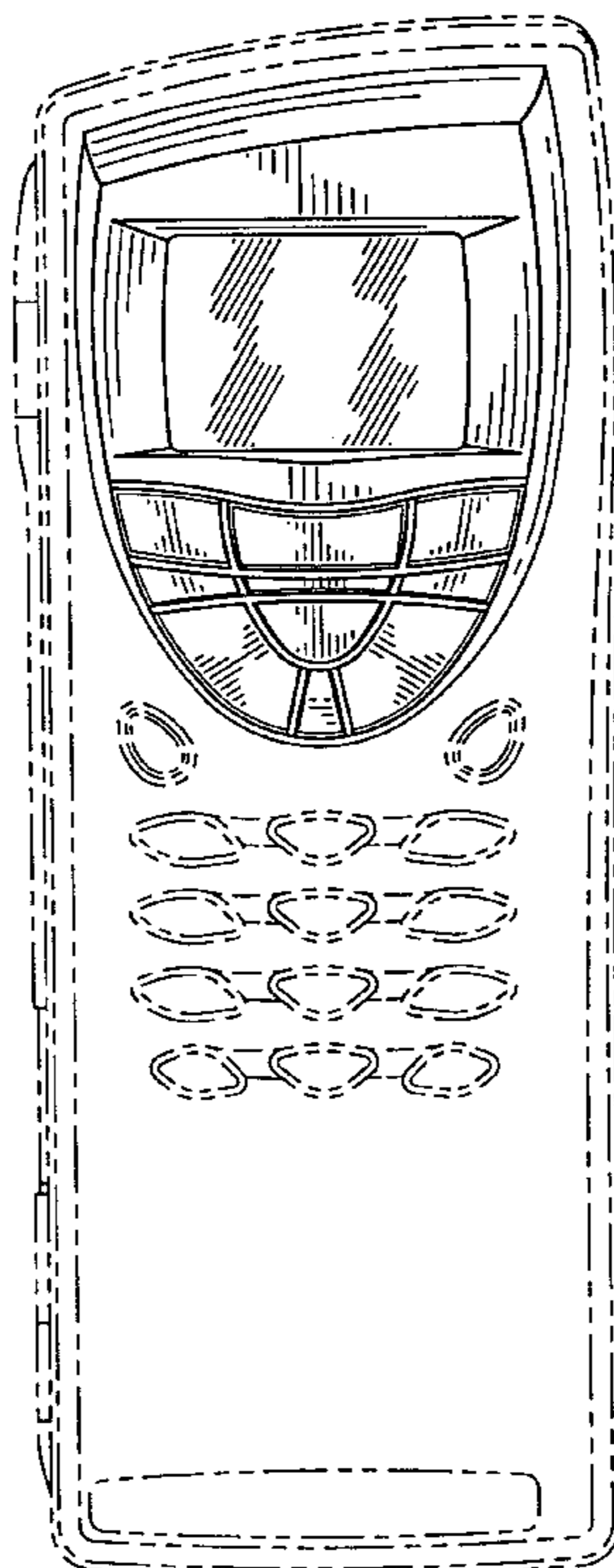


FIG. 1

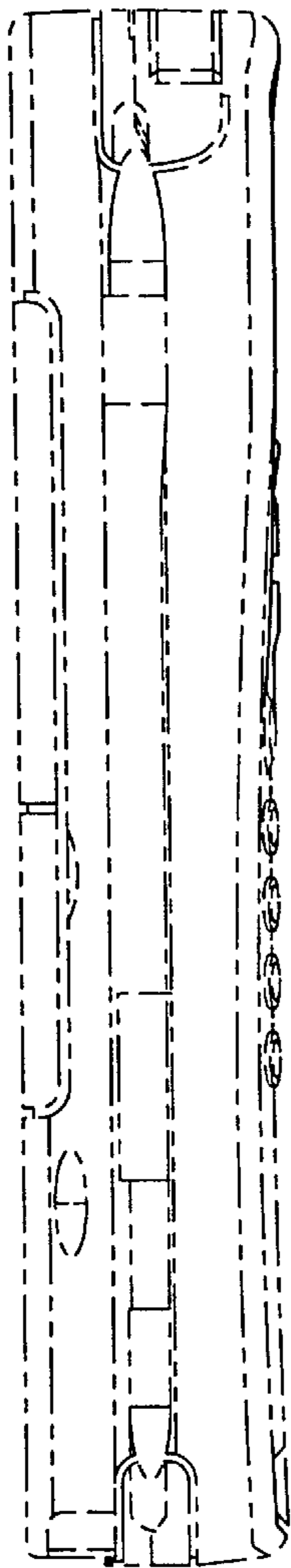


FIG. 2

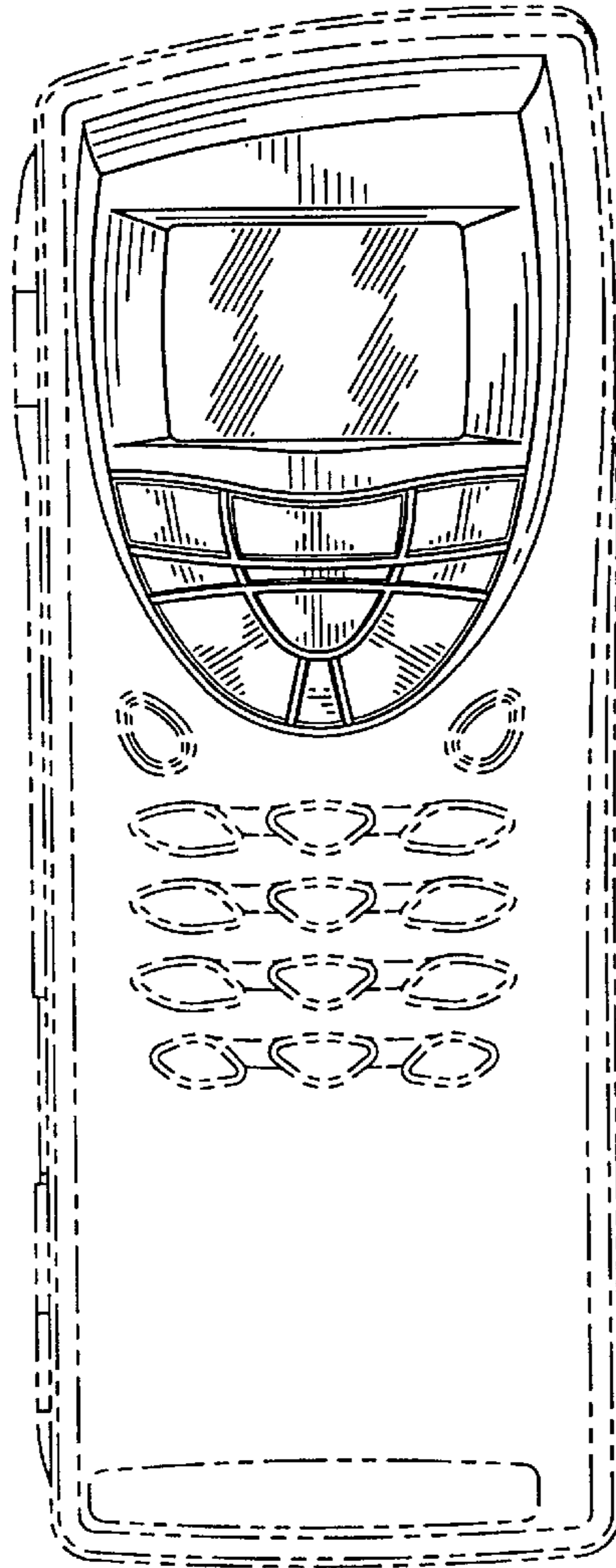


FIG. 3

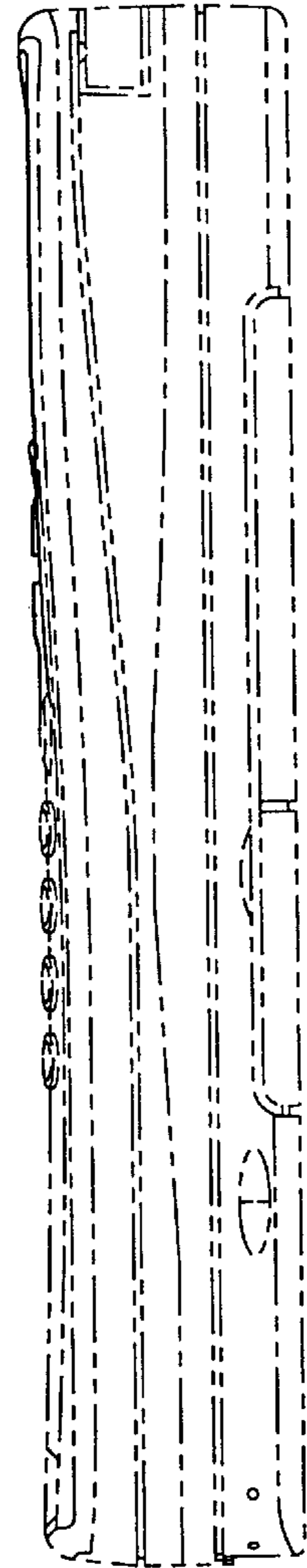
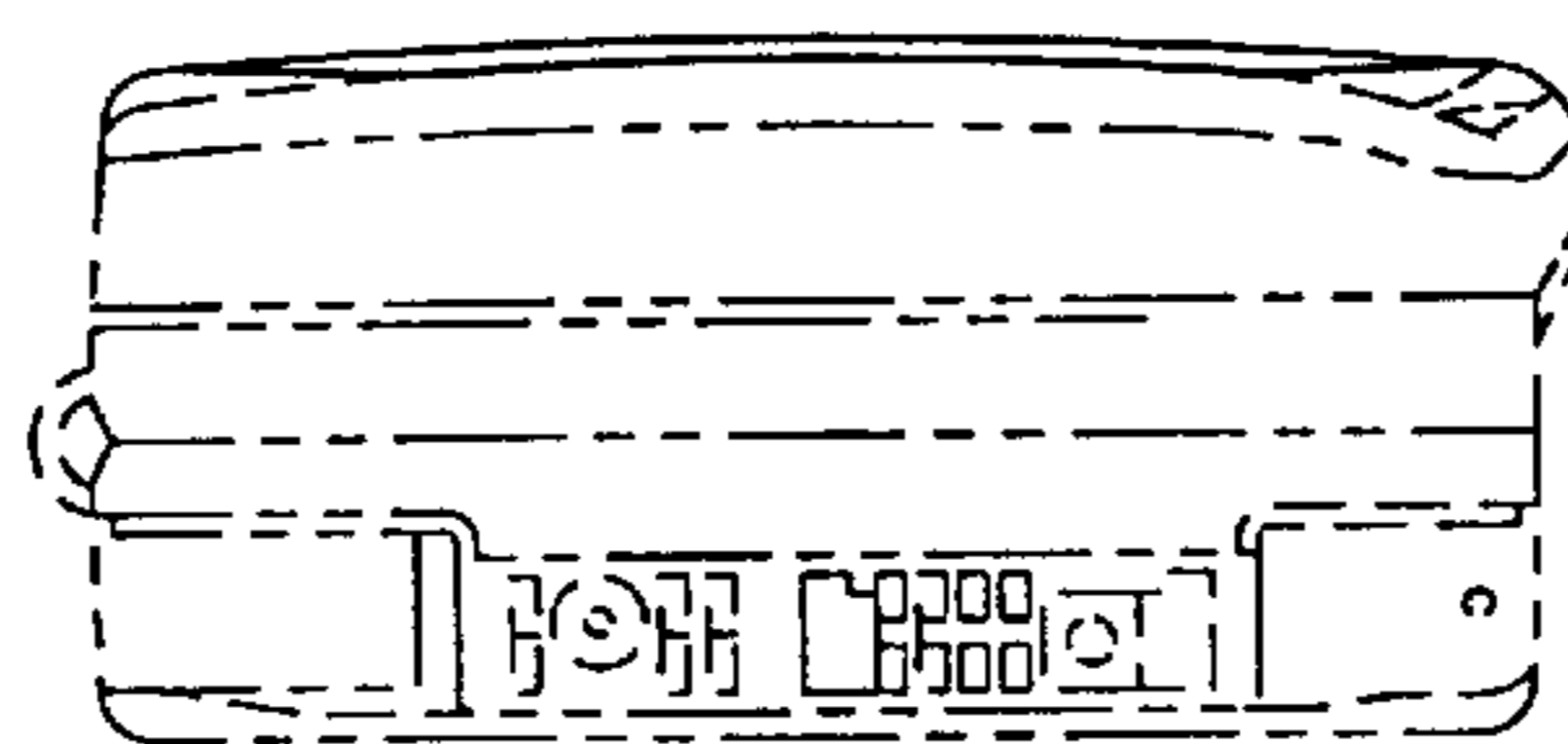


FIG. 4



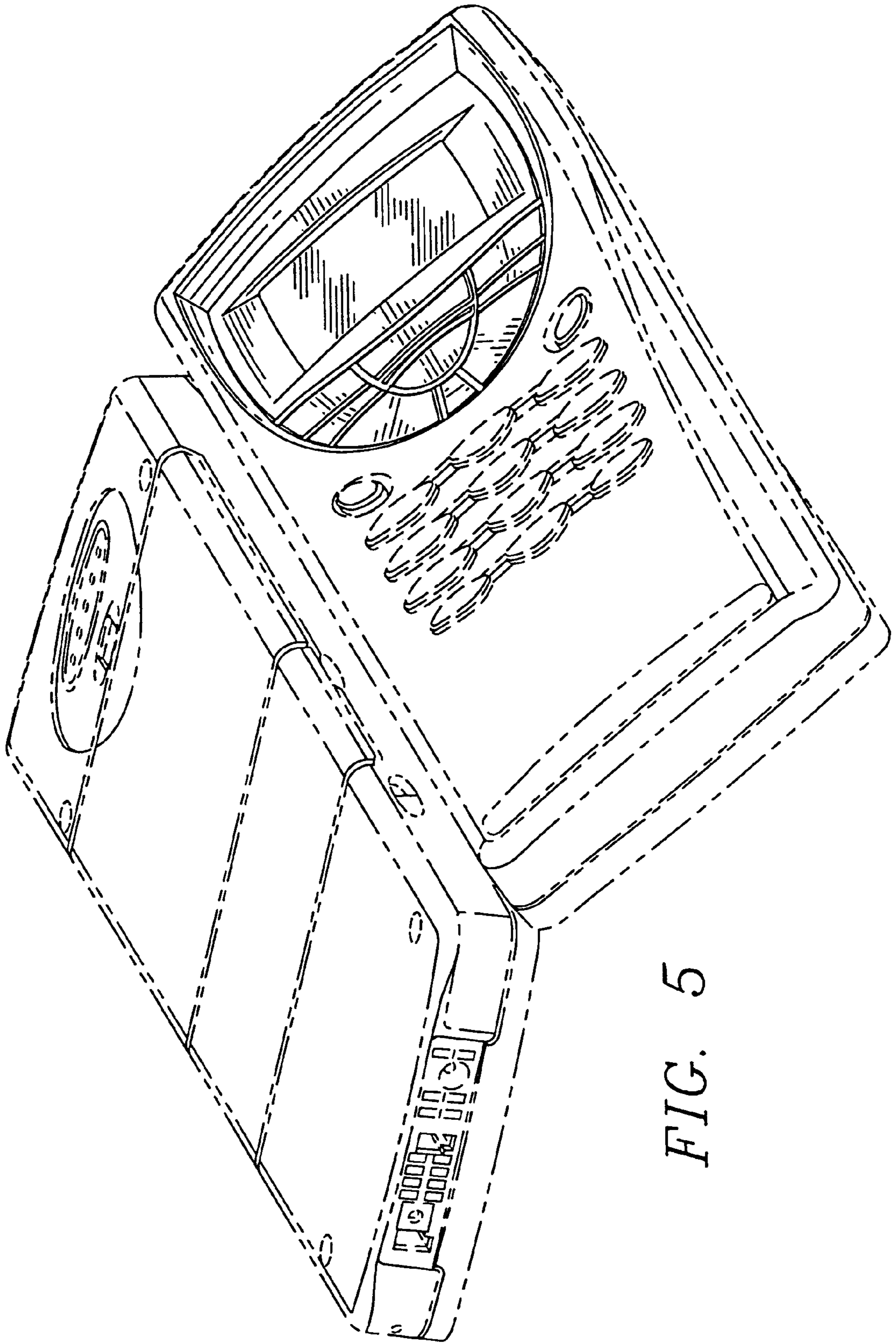


FIG. 5

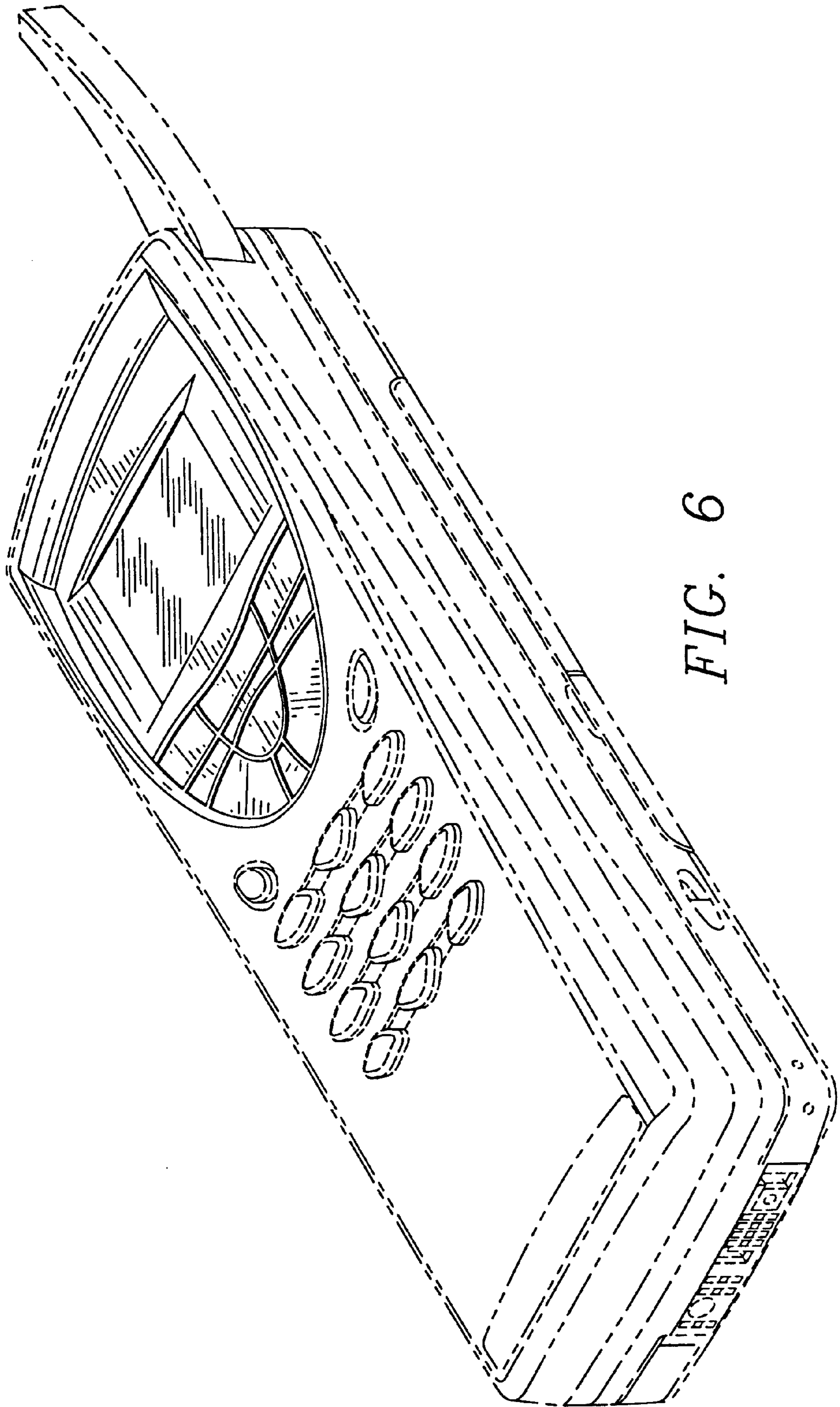


FIG. 6