



US00D454558S

(12) **United States Design Patent**
Song

(10) **Patent No.:** **US D454,558 S**

(45) **Date of Patent:** **** Mar. 19, 2002**

(54) **AUTOMATIC DIALER**

(75) **Inventor:** **Han Mo Song**, Virginia Beach, VA
(US)

(73) **Assignee:** **Dream Touch, Inc.**, Englewood Cliffs,
NJ (US)

(**) **Term:** **14 Years**

(21) **Appl. No.:** **29/132,199**

(22) **Filed:** **Nov. 3, 2000**

(51) **LOC (7) Cl.** **14-03**

(52) **U.S. Cl.** **D14/245; D14/243; D14/228**

(58) **Field of Search** D14/137, 140,
D14/142, 243, 245, 225-228, 240, 242,
230, 233, 188, 192, 217, 189, 358, 159,
155, 417, 388, 402, 408, 365; 379/419,
420, 441, 428, 440, 100.14, 355.03, 356.01,
357.01, 357.03, 357.04, 357.05, 40, 444,
51; 455/550-575, 90; D13/184

(56) **References Cited**

U.S. PATENT DOCUMENTS

D156,580 S	*	12/1949	Swibold	D14/197
D192,637 S	*	4/1962	Judson	D14/243
D247,898 S	*	5/1978	Plomp et al.	D14/245
D253,289 S	*	10/1979	Kato	D14/217
4,184,119 A	*	1/1980	Kerruish	455/343
D257,346 S	*	10/1980	Garrigus et al.	D14/228
D281,776 S	*	12/1985	Griffin	D14/417
D300,322 S	*	3/1989	Lam	D14/189
D304,944 S	*	12/1989	Behringer	D14/188
D325,734 S	*	4/1992	Miyai	D14/189

D327,479 S	*	6/1992	Britz	D14/225
D331,060 S	*	11/1992	Emmons et al.	D14/218
D339,140 S	*	9/1993	Chong	D14/245
D355,416 S	*	2/1995	McCay et al.	D14/137
D363,935 S	*	11/1995	McGreevy	D14/230
D381,019 S	*	7/1997	Muller et al.	D14/124
D391,943 S	*	3/1998	Han	D14/114
D393,861 S	*	4/1998	Lutz et al.	D14/245
D399,499 S	*	10/1998	Kaneko et al.	D14/417
D416,559 S	*	11/1999	Hoyt et al.	D14/217
D417,452 S	*	12/1999	Wu	D14/192
D433,013 S	*	10/2000	Yuyama et al.	D14/227

* cited by examiner

Primary Examiner—Jeffrey Asch

(57) **CLAIM**

The ornamental design for an automatic dialer, as shown and described.

DESCRIPTION

FIG. 1 is a perspective view of my design for an automatic dialer;

FIG. 2 is a front and rear elevational view of the automatic dialer shown in FIG. 1;

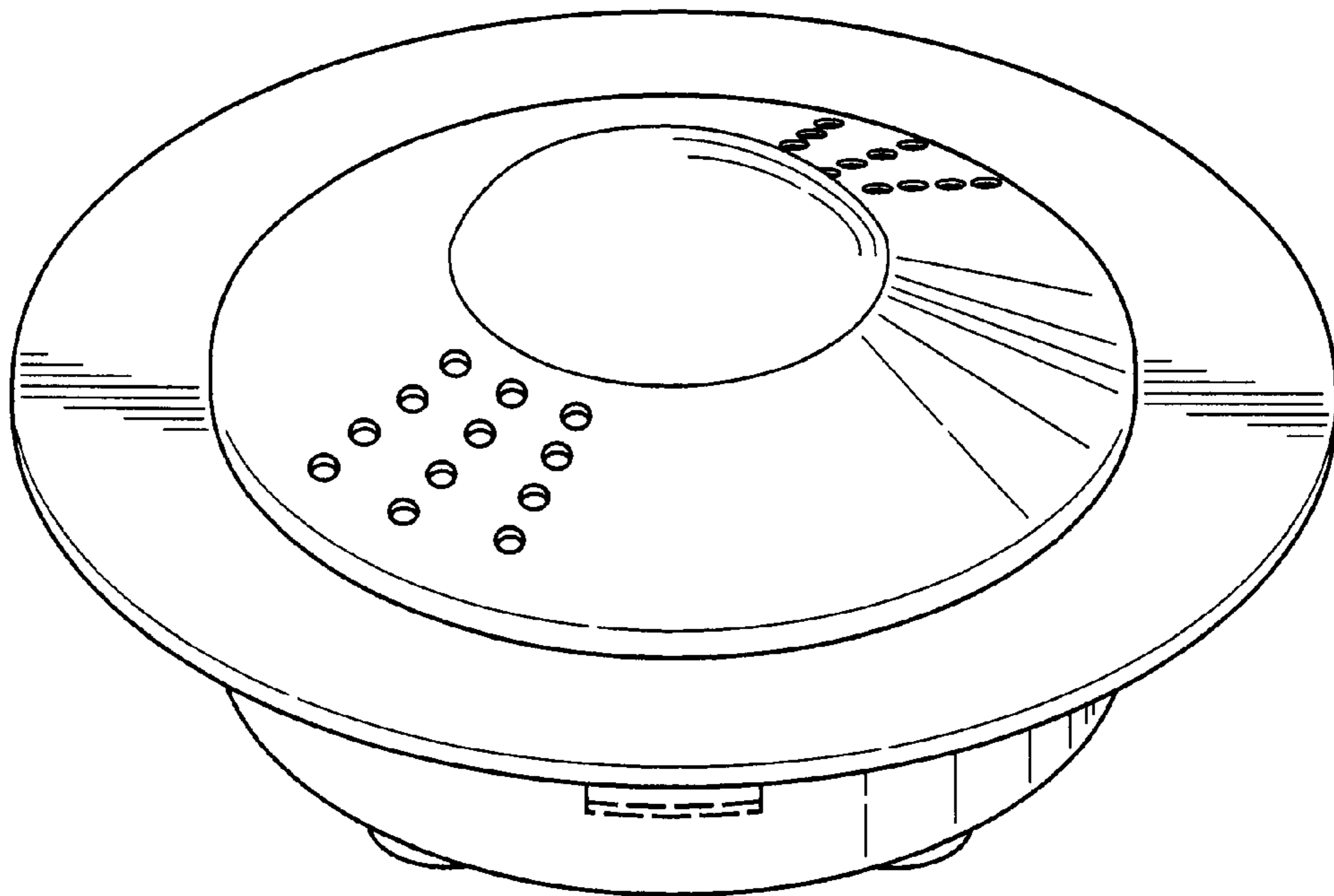
FIG. 3 is a right and left side elevational view of the automatic dialer shown in FIG. 1;

FIG. 4 is a top view of the automatic dialer shown in FIG. 1; and,

FIG. 5 is a bottom view of the automatic dialer shown in FIG. 1.

The broken lines in the figures are in no way intended to form part of the claimed design and are for illustrative purposes only.

1 Claim, 3 Drawing Sheets



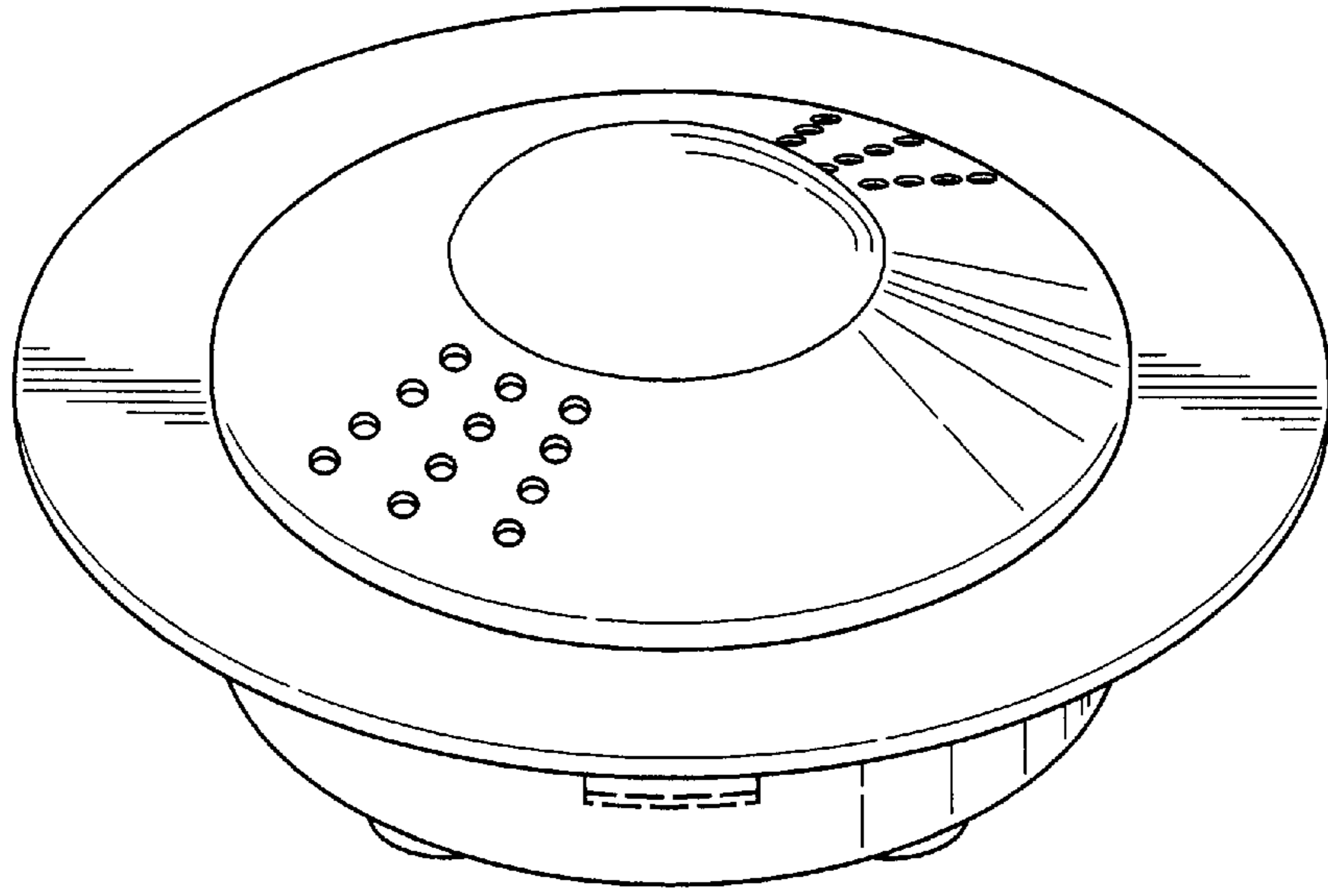


FIG. 1

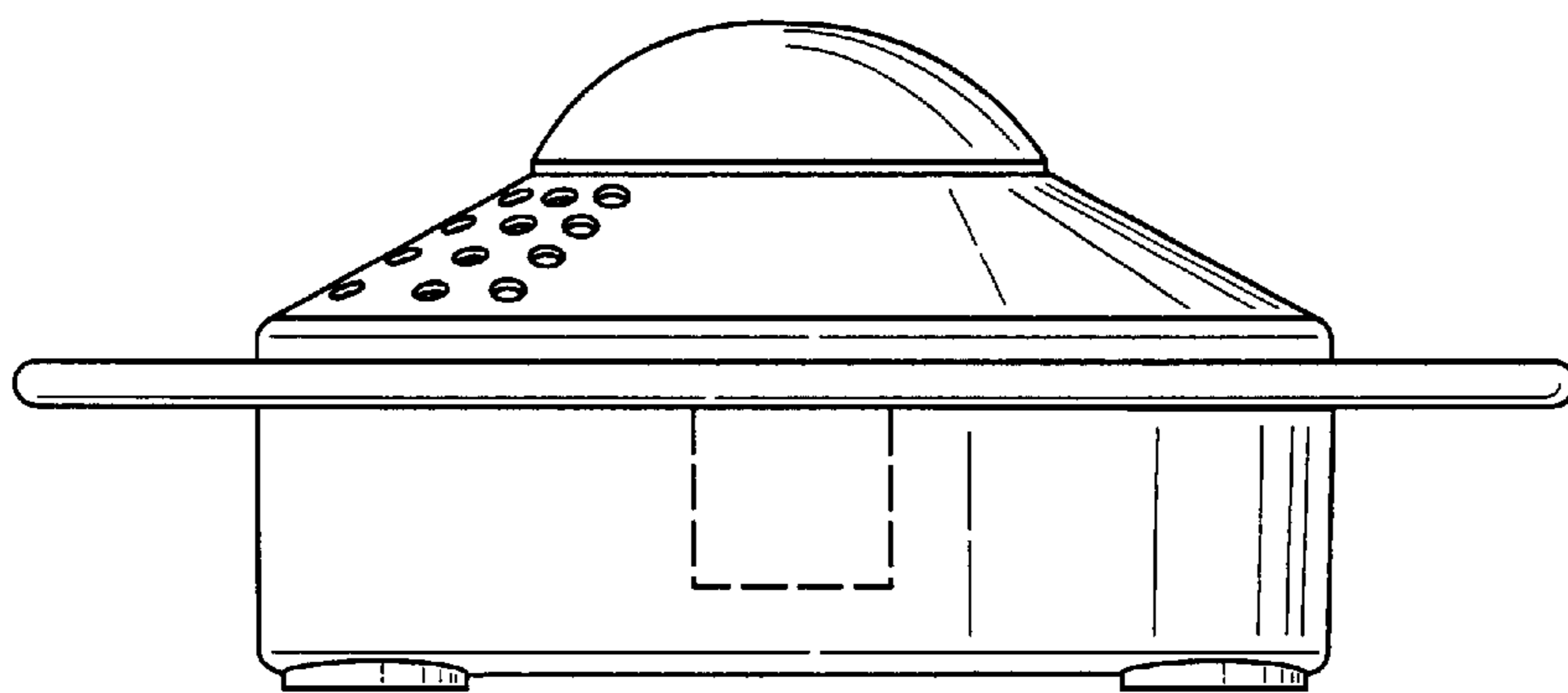


FIG. 2

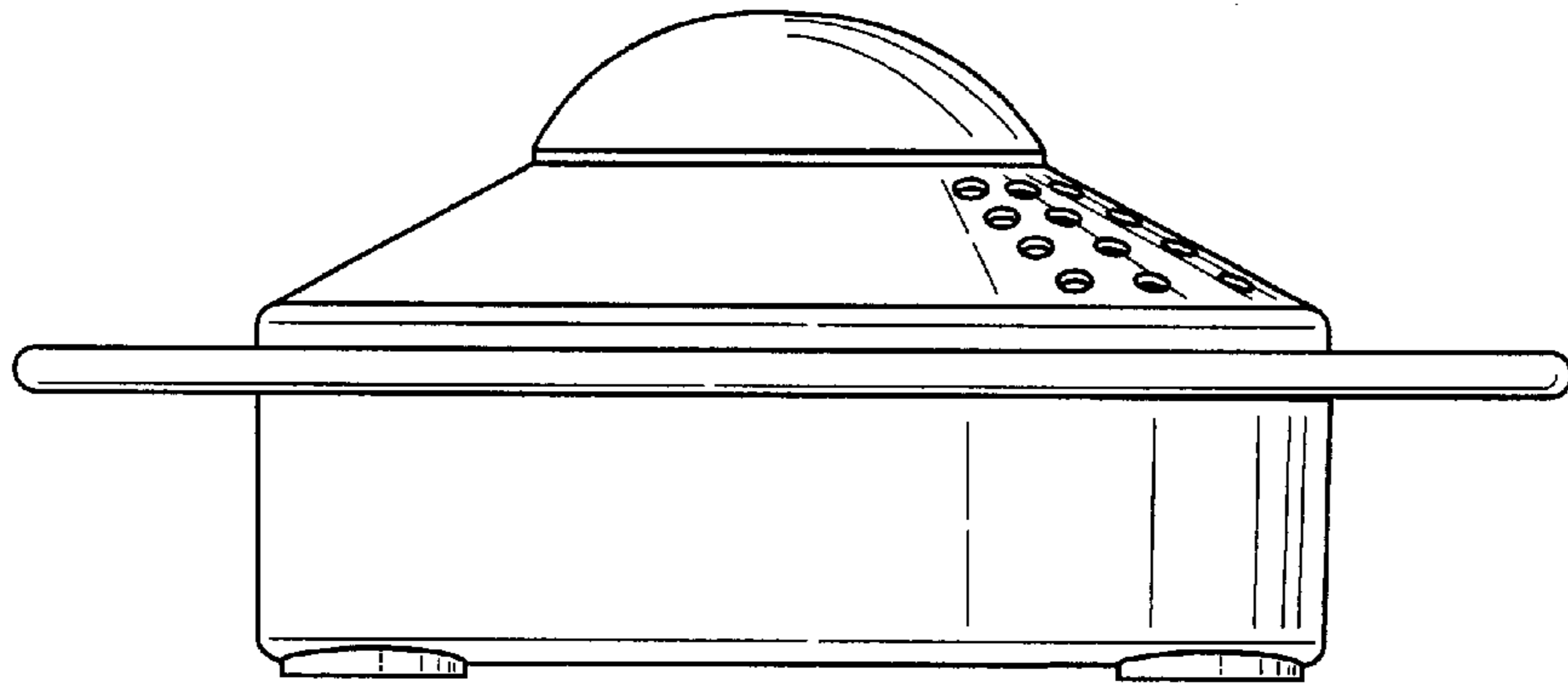


FIG. 3

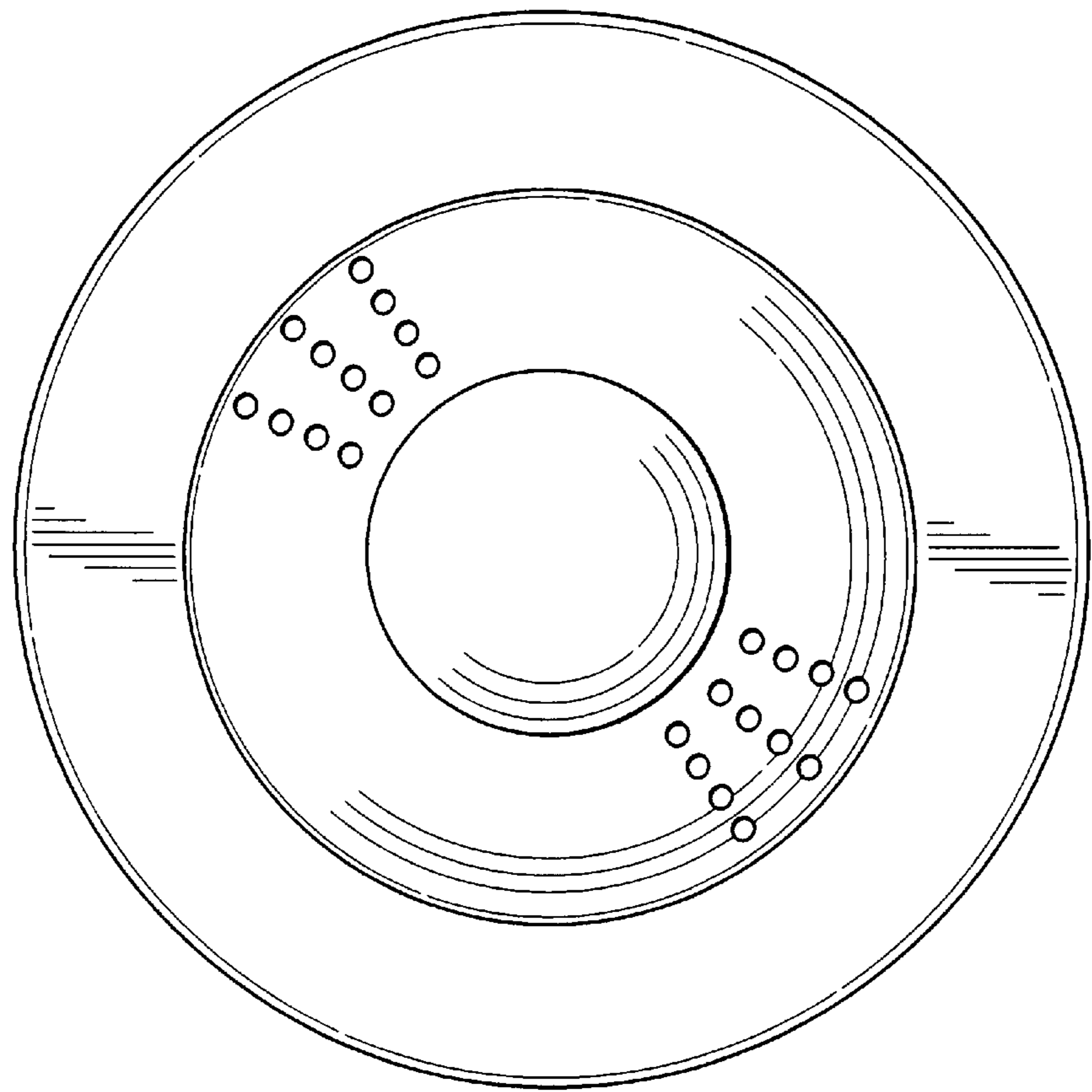


FIG. 4

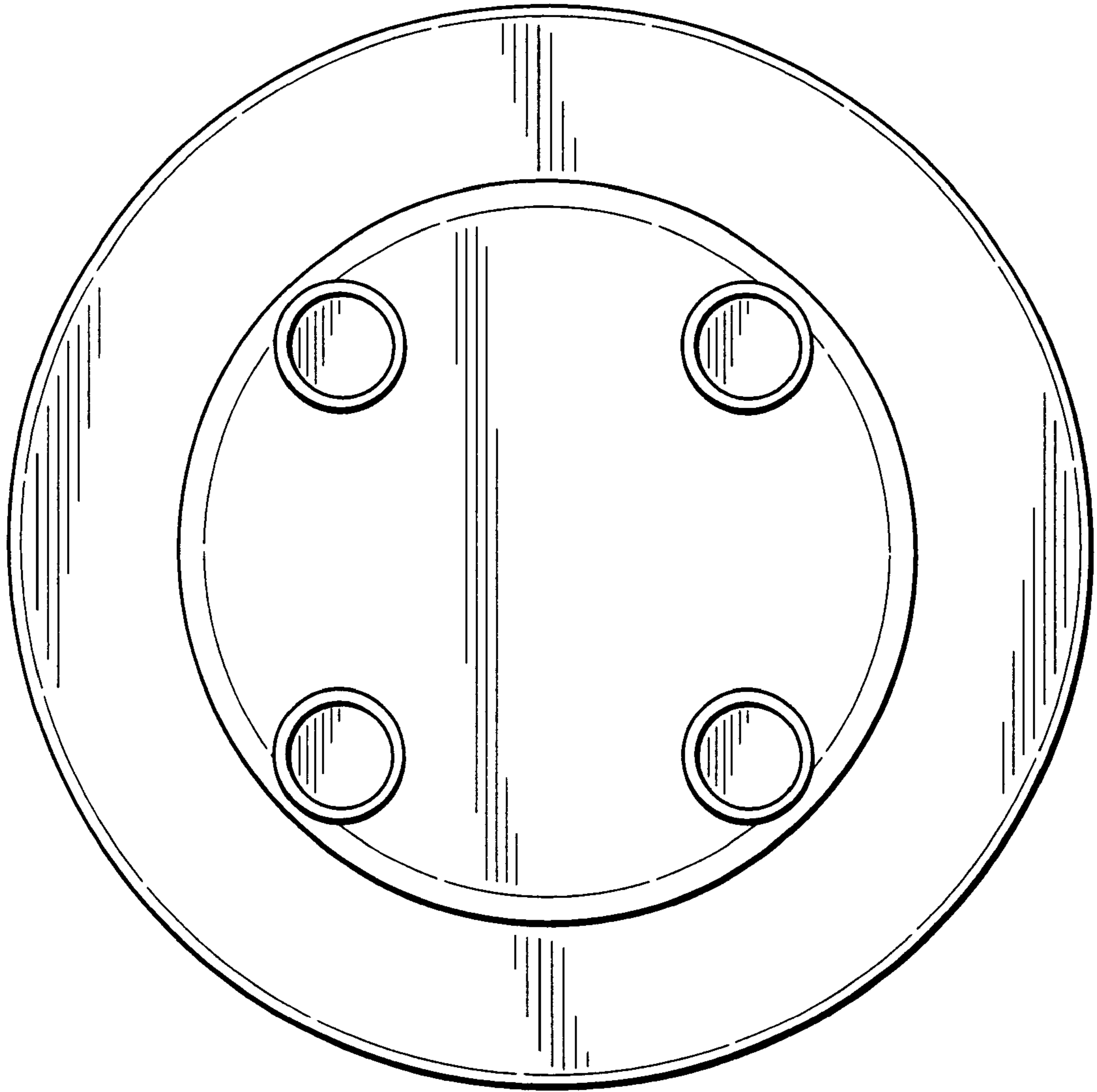


FIG. 5