



US00D454556S

(12) **United States Design Patent**  
**Schmidt et al.**

(10) **Patent No.:** **US D454,556 S**

(45) **Date of Patent:** **\*\* Mar. 19, 2002**

(54) **REMOTE TELEPHONE TRANSCEIVER**

(75) Inventors: **Peter O. Schmidt**, Campbell; **Jeffrey S. Jones**, Los Altos, both of CA (US)

(73) Assignee: **Hello Direct, Inc.**, San Jose, CA (US)

(\*\*) Term: **14 Years**

(21) Appl. No.: **29/138,182**

(22) Filed: **Mar. 7, 2001**

(51) **LOC (7) Cl.** ..... **14-03**

(52) **U.S. Cl.** ..... **D14/240; D14/358**

(58) **Field of Search** ..... D14/125, 257,  
D14/140, 142, 299, 433, 434, 356-358,  
435-438, 308, 349, 353, 240, 242, 188,  
155, 159, 141, 352, 439, 217, 218, 191;  
379/419, 420, 441, 442, 428, 440, 406,  
93.01, 93.28; 455/550-575, 90; D13/184,  
147; 361/600, 622, 724-728; 375/220-225;  
D3/218

(56) **References Cited**

**U.S. PATENT DOCUMENTS**

D269,088 S	5/1983	Genaro et al. ....	D14/52
D310,082 S	* 8/1990	Kehl et al. ....	D14/227
D327,886 S	7/1992	Yan .....	D14/138
D337,328 S	7/1993	Beaumont et al. ....	D14/142
D342,249 S	12/1993	Beaumont et al. ....	D14/142
D342,250 S	12/1993	Beaumont et al. ....	D14/142
D352,285 S	* 11/1994	Khouri et al. ....	D14/191
D353,577 S	* 12/1994	Shoda et al. ....	D13/147
D363,722 S	* 10/1995	Aldridge et al. ....	D14/242
D365,808 S	1/1996	Alden et al. ....	D14/107
D367,859 S	* 3/1996	Beaumont et al. ....	D14/142
D369,465 S	* 5/1996	Scheid et al. ....	D3/218
D370,011 S	5/1996	Lindeman .....	D14/137
D374,673 S	10/1996	Beaumont et al. ....	D14/240
D379,993 S	* 6/1997	Devitt et al. ....	D14/240
D384,065 S	* 9/1997	Bice et al. ....	D14/149
D386,104 S	11/1997	Nowak .....	D10/104
D390,553 S	* 2/1998	Beaumont et al. ....	D14/137
D391,953 S	3/1998	Copeland et al. ....	D14/137

D391,967 S	3/1998	Blais et al. ....	D14/240
D392,644 S	3/1998	McGugan .....	D14/240
D392,645 S	* 3/1998	Wakabayashi .....	D14/240
5,761,612 A	* 6/1998	Read .....	455/90
D402,805 S	12/1998	Nagano et al. ....	D3/218
D408,417 S	* 4/1999	Ota et al. ....	D14/242
D409,199 S	* 5/1999	Taguchi et al. ....	D14/217
D409,374 S	5/1999	Laba et al. ....	D3/215
5,905,722 A	* 5/1999	Kim .....	370/342
D413,893 S	9/1999	Luzbetak et al. ....	D14/240
D422,999 S	4/2000	Overton et al. ....	D14/137
D425,021 S	* 5/2000	Ko .....	D13/123
D425,071 S	5/2000	Boswell .....	D14/240
D425,484 S	* 5/2000	Ahlgren .....	D13/147
D426,529 S	6/2000	Lohrding et al. ....	D14/137
D433,005 S	10/2000	McGugan .....	D14/155
D444,779 S	* 7/2001	Hin .....	D14/188
D446,207 S	* 8/2001	Matthes et al. ....	D14/299

\* cited by examiner

*Primary Examiner*—Jeffrey Asch

(74) *Attorney, Agent, or Firm*—Haverstock & Owens LLP

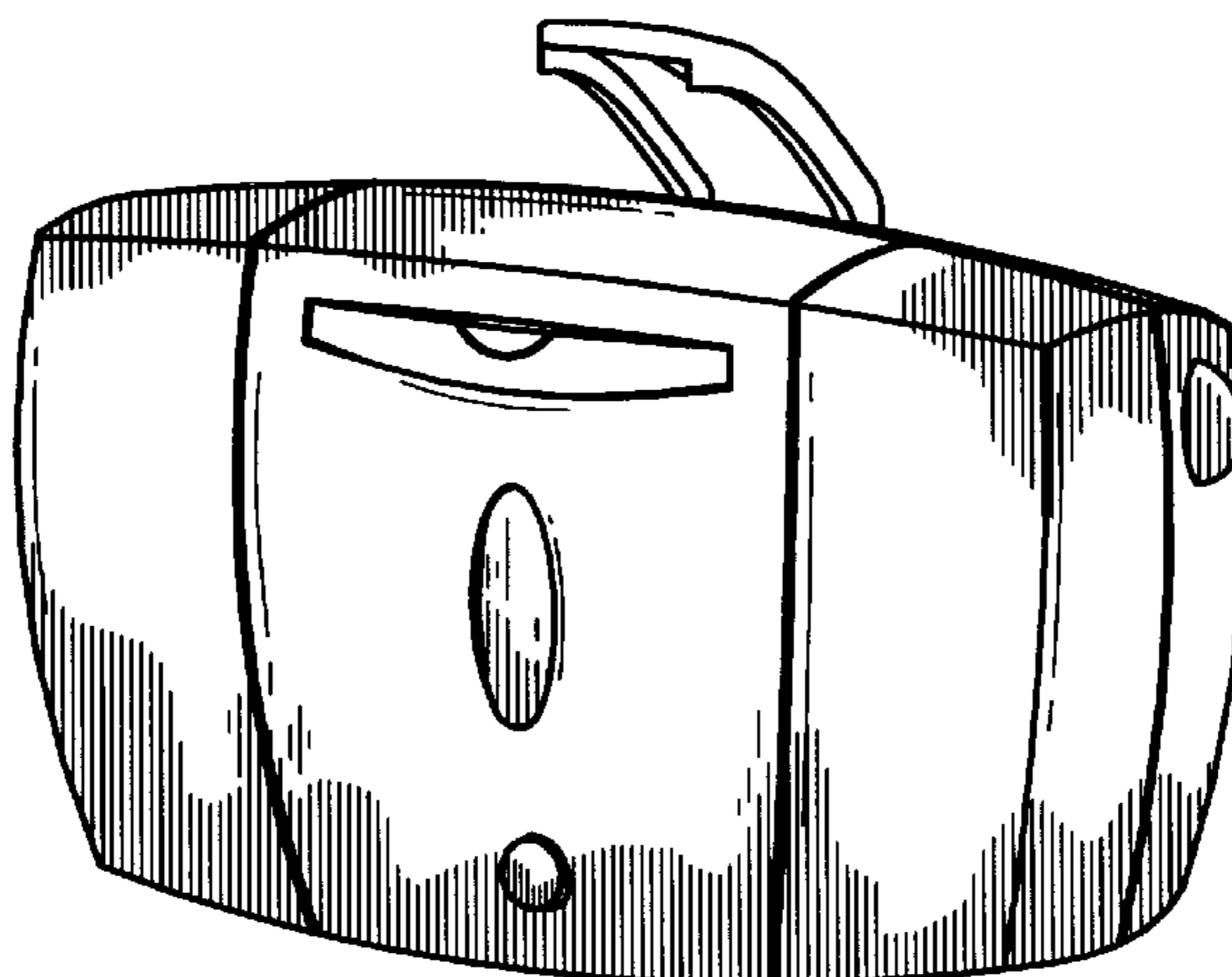
(57) **CLAIM**

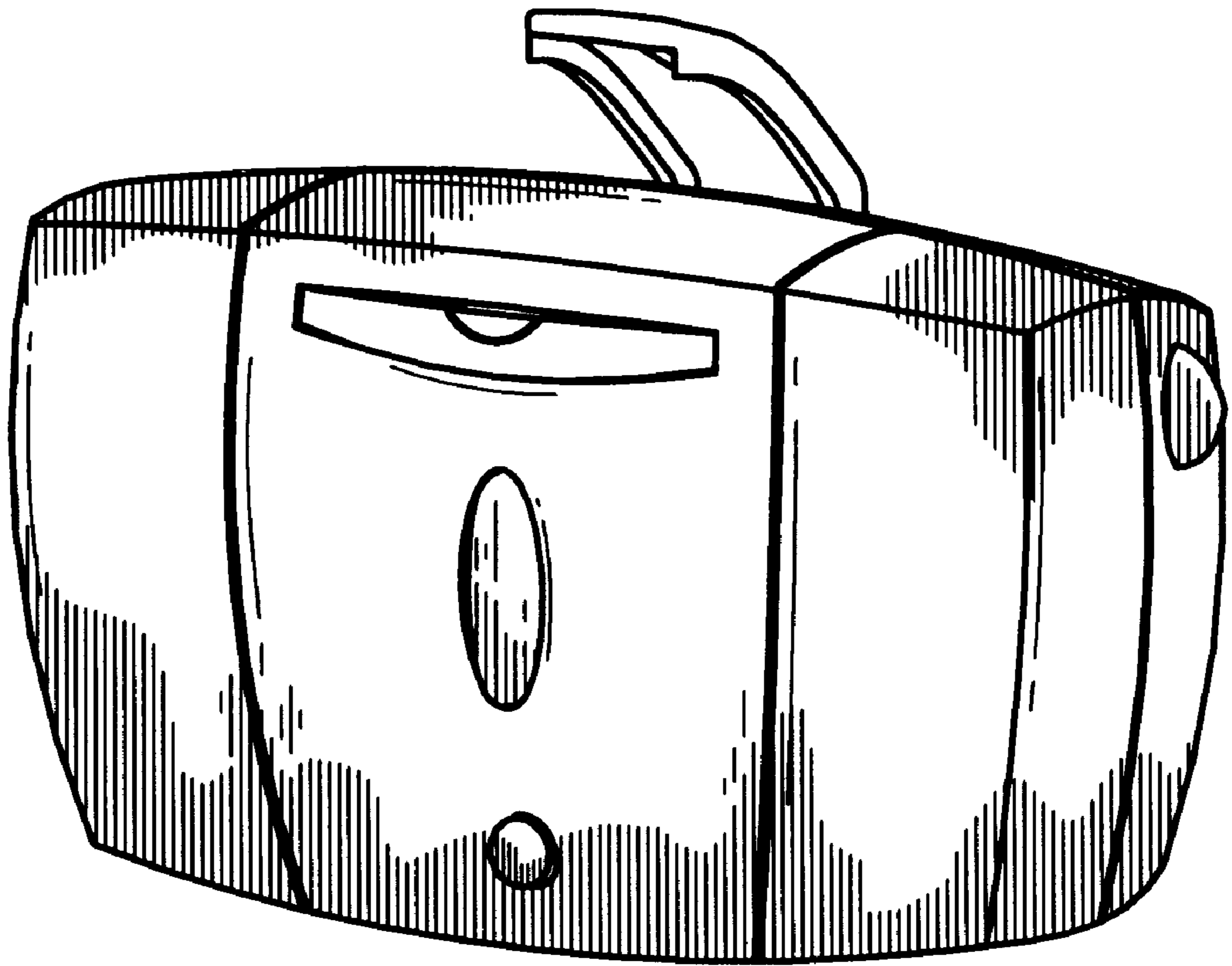
The ornamental design for a remote telephone transceiver, as shown and described.

**DESCRIPTION**

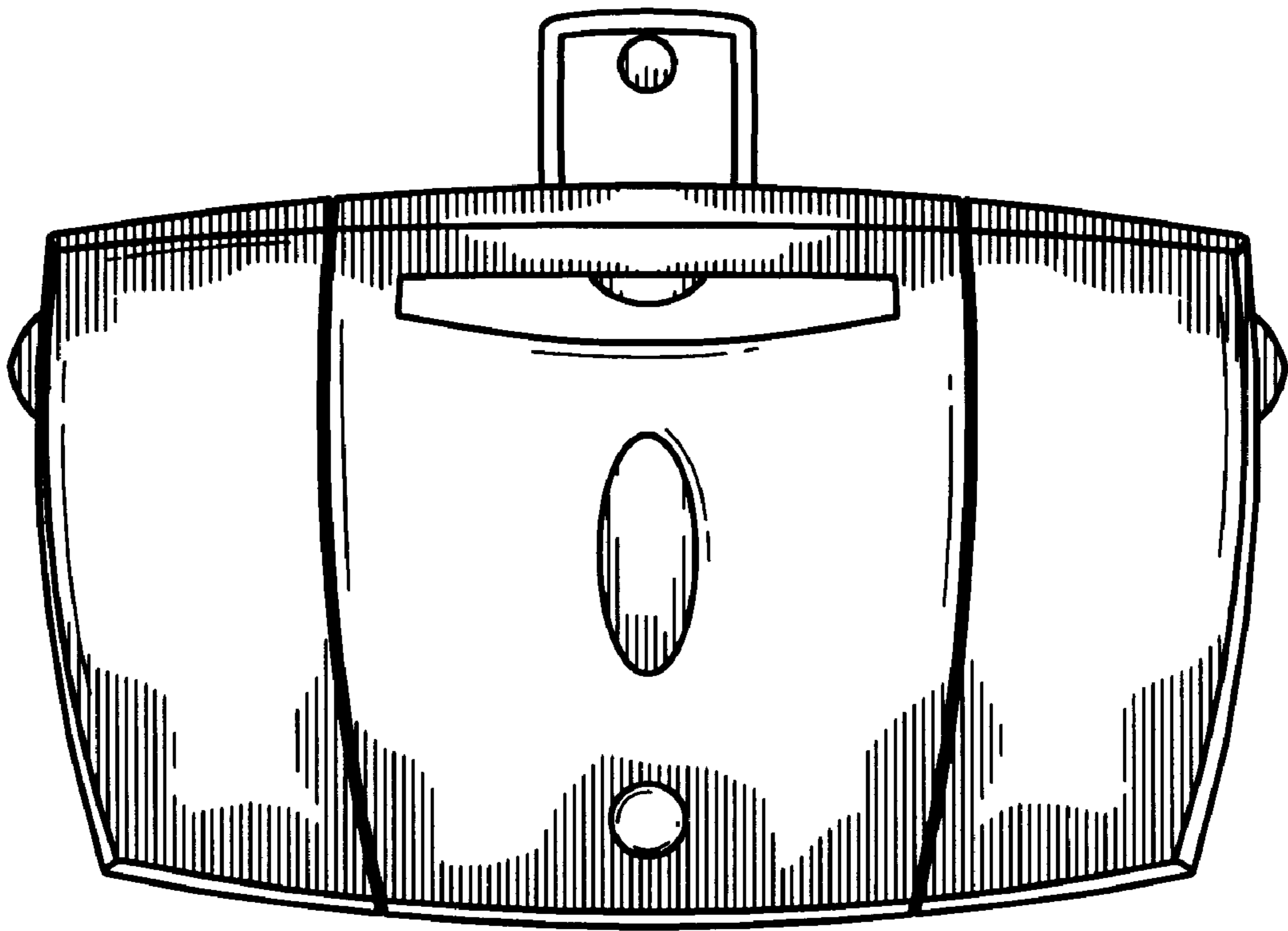
FIG. 1 is a perspective view of a remote telephone transceiver;  
FIG. 2 is a front view of the remote telephone transceiver thereof;  
FIG. 3 is a top view of the remote telephone transceiver thereof;  
FIG. 4 is a side view of the remote telephone transceiver thereof;  
FIG. 5 is a side view of the remote telephone transceiver thereof;  
FIG. 6 is a back view of the remote telephone transceiver thereof; and,  
FIG. 7 is a bottom view of the remote telephone transceiver thereof.

**1 Claim, 4 Drawing Sheets**

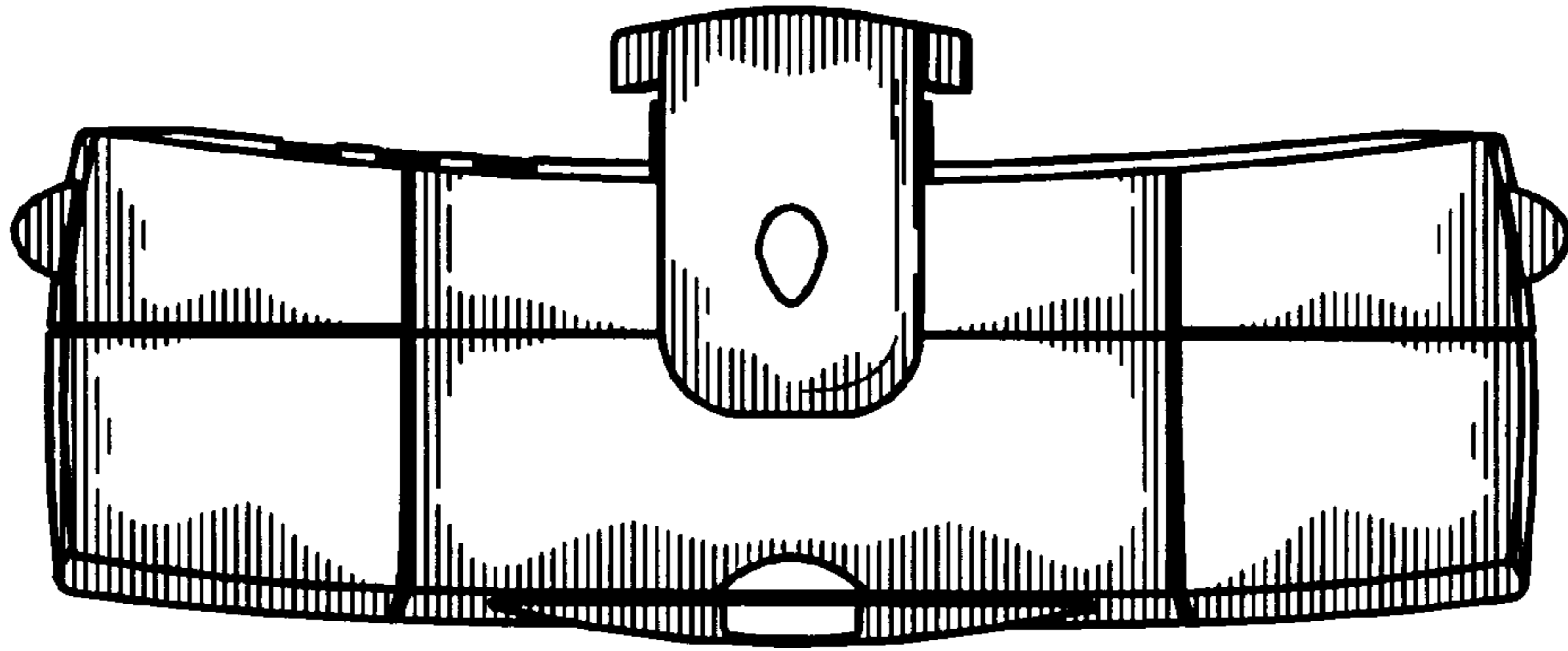




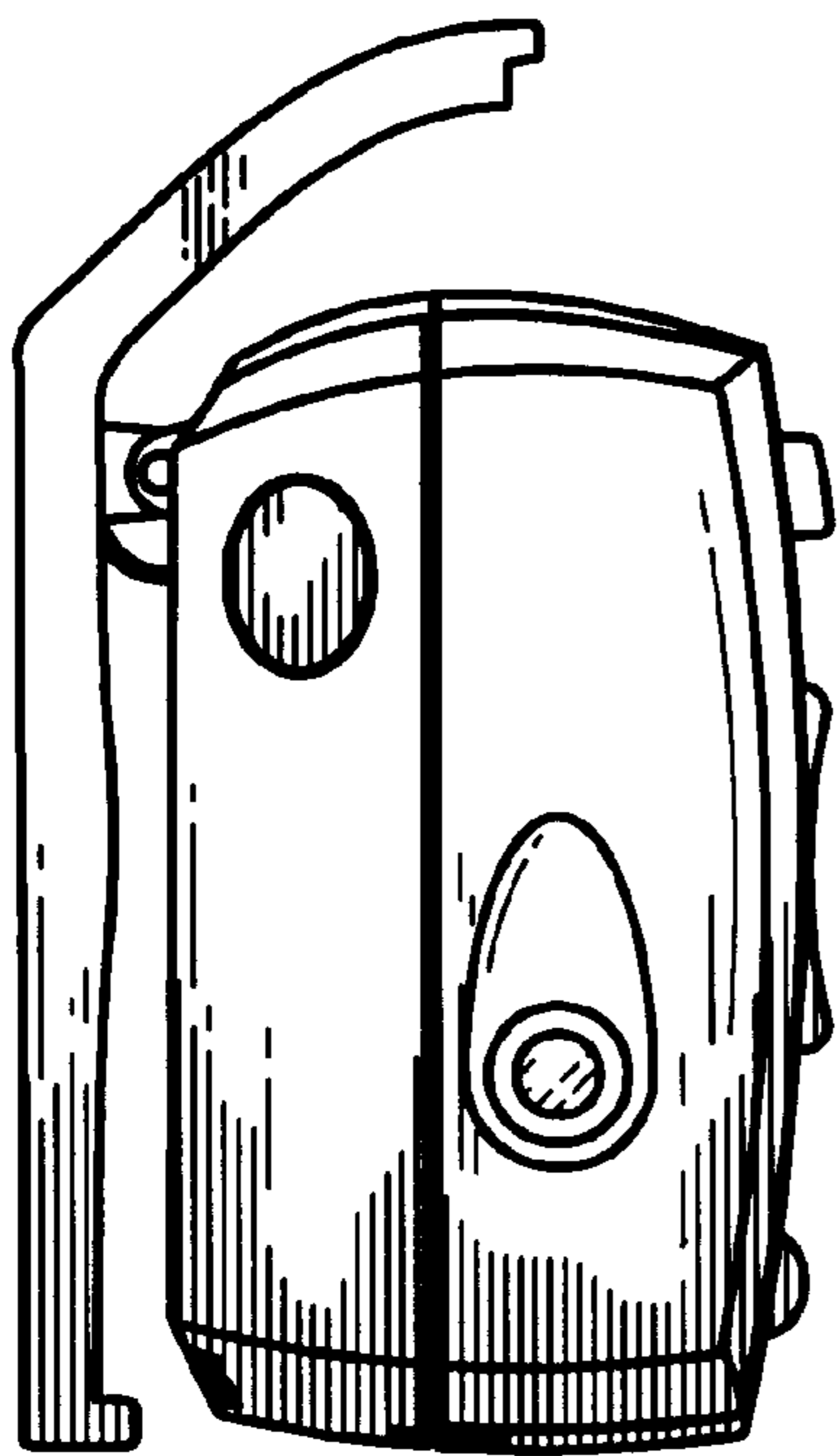
*Fig. 1*



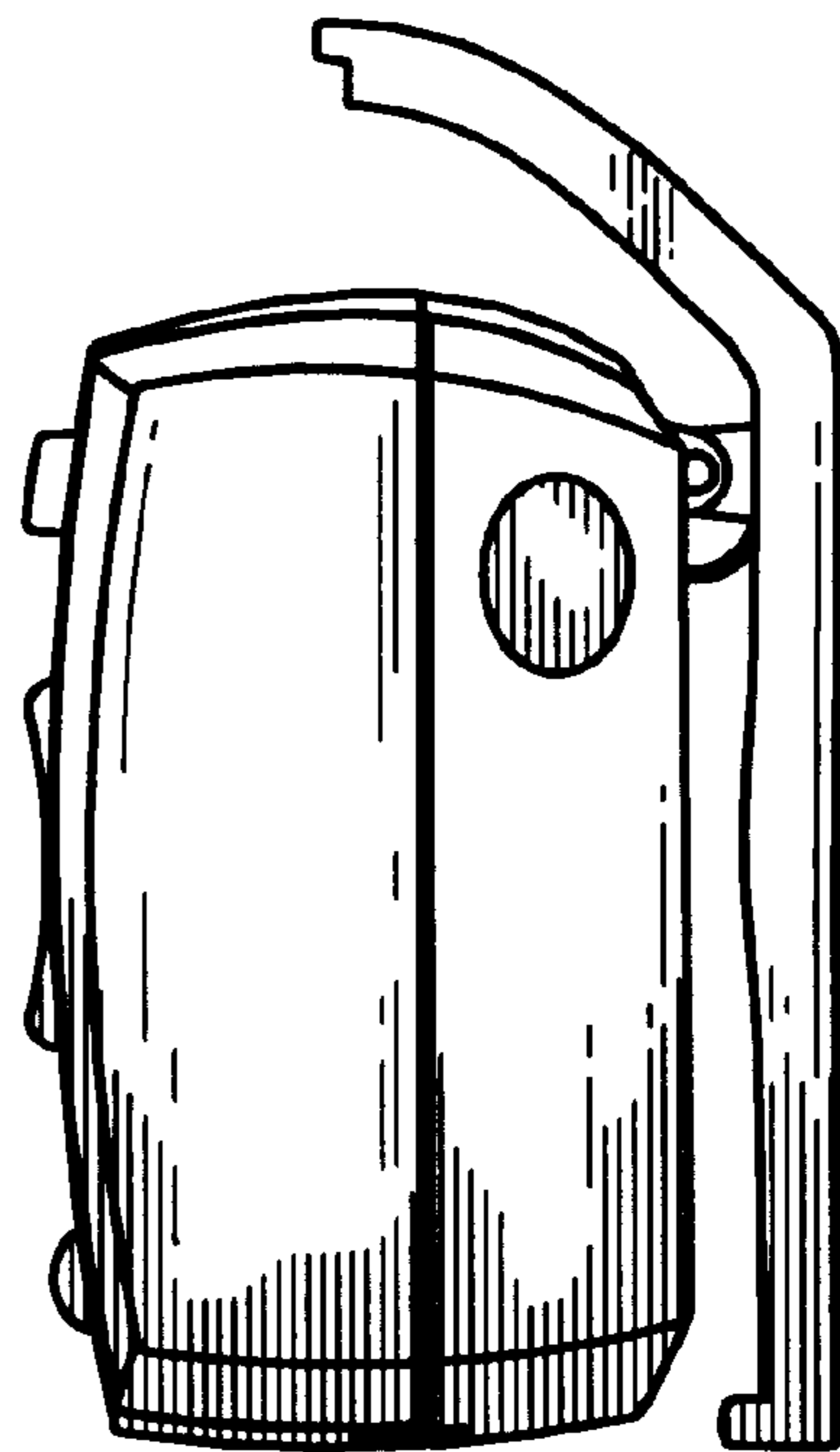
*Fig. 2*



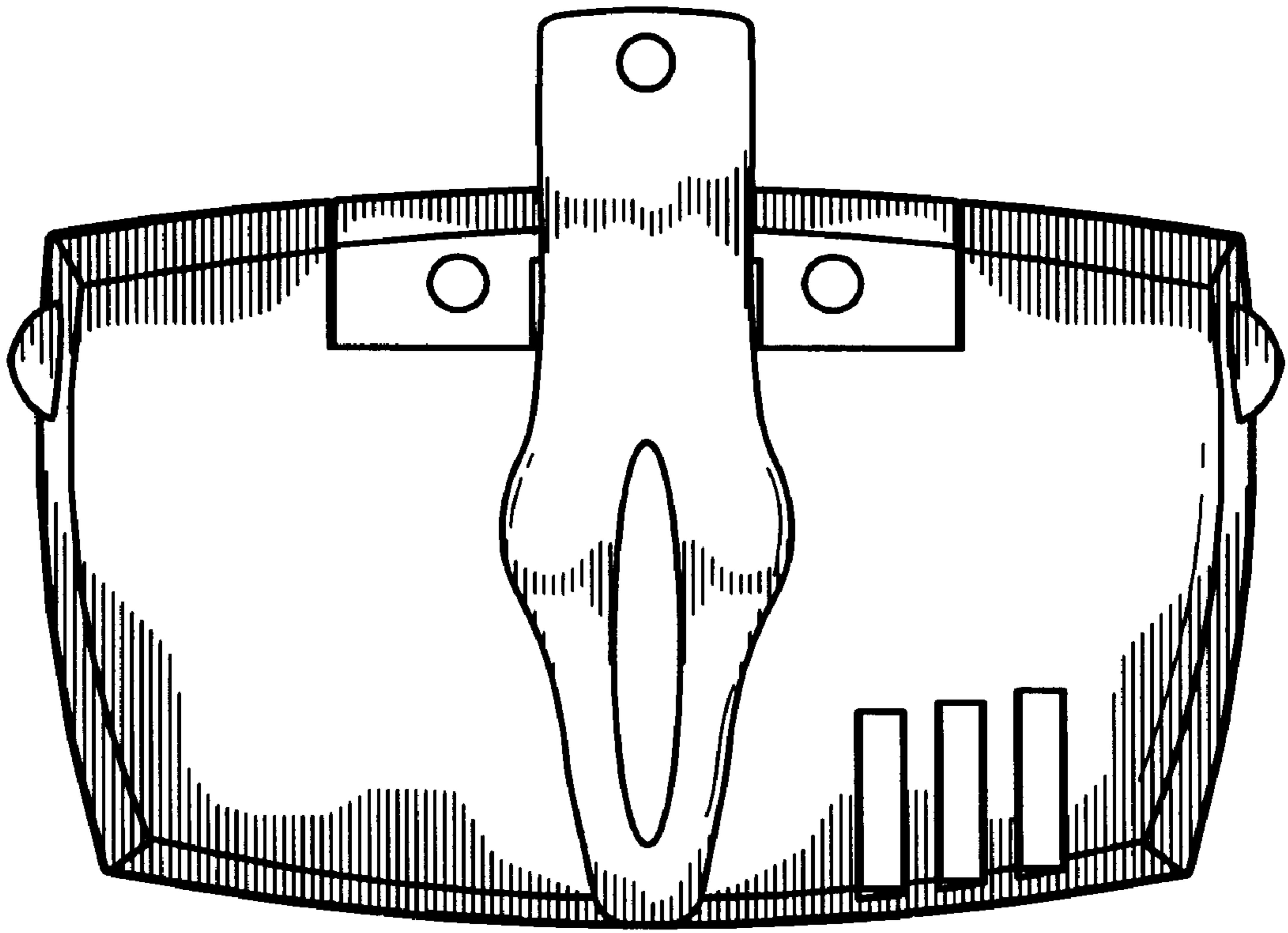
*Fig. 3*



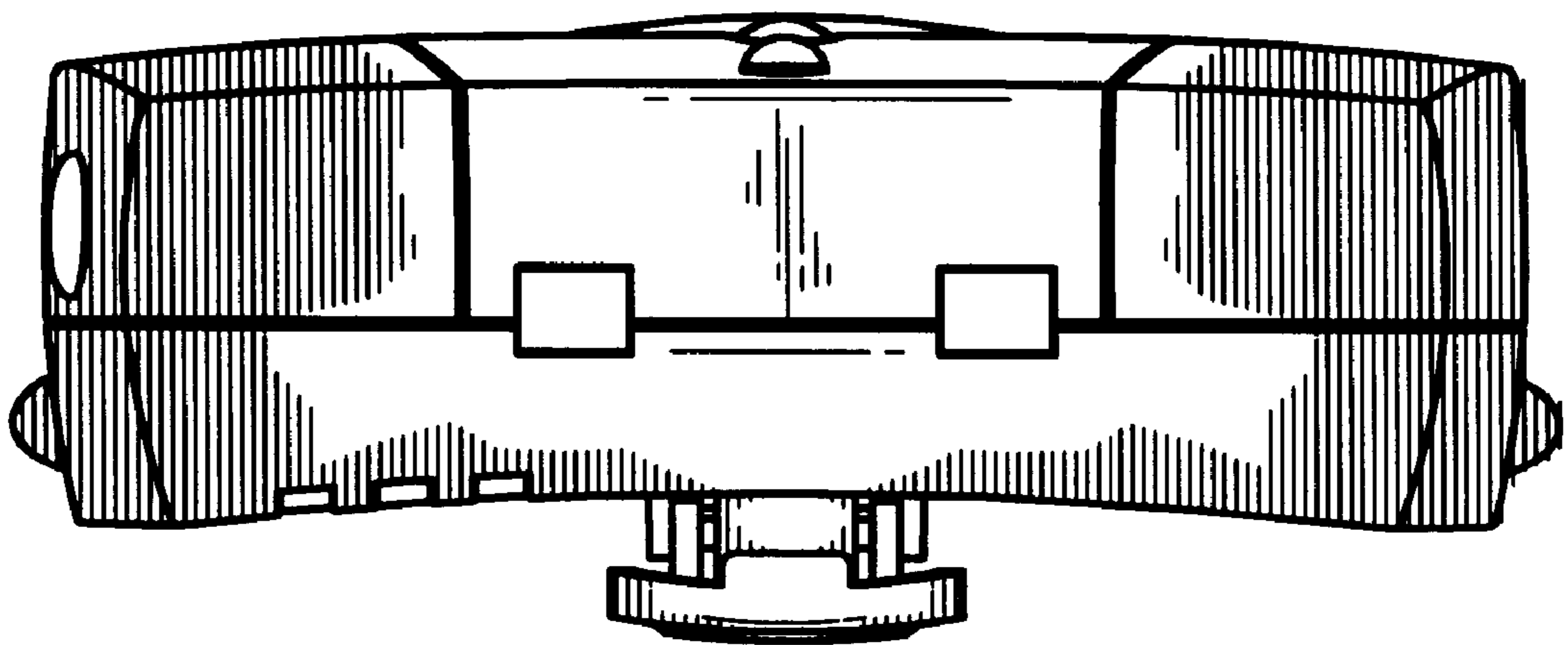
*Fig. 4*



*Fig. 5*



*Fig. 6*



*Fig. 7*