



US00D454552S

(12) **United States Design Patent**
Nakane

(10) **Patent No.:** **US D454,552 S**
(45) **Date of Patent:** **** Mar. 19, 2002**

(54) **DIGITAL AUDIO DISC PLAYER EQUIPPED WITH MIXING FUNCTION**

(75) Inventor: **Koji Nakane**, Tokyo (JP)
(73) Assignee: **Pioneer Corporation**, Tokyo (JP)
(**) Term: **14 Years**

(21) Appl. No.: **29/140,008**
(22) Filed: **Apr. 11, 2001**

(30) **Foreign Application Priority Data**

Oct. 16, 2000 (JP) 2000-029083

(51) **LOC (7) Cl.** **14-01**
(52) **U.S. Cl.** **D14/168; D14/156**
(58) **Field of Search** **D14/135-136, D14/156, 160-162, 167-168, 188, 217; 369/75.1, 75.2, 77.1, 77.2**

(56) **References Cited**

U.S. PATENT DOCUMENTS

D291,196 S * 8/1987 Ito et al. D14/162
D400,877 S * 11/1998 Miyazaki D14/167
D408,408 S * 4/1999 Ito et al. D14/156
D417,450 S * 12/1999 Kurach D14/156
D420,353 S * 2/2000 Amai D14/217
D421,011 S * 2/2000 Natori D14/168
D429,233 S * 8/2000 Komiyama D14/167

FOREIGN PATENT DOCUMENTS

JP 933856 9/1995

OTHER PUBLICATIONS

Pioneer, The Art of Entertainment, Pioneer Electronic Corporation, 3 pages, "The Professional CD Player CDJ-700S", 1997.
CDJ-300 of Pioneer Electronic Corporation, 2 pages, Jul. 1997.
CDJ-500II Limited of Pioneer Electronic Corporation, 2 pages, Sep. 1997.

* cited by examiner

Primary Examiner—Nanda Bondade

(74) *Attorney, Agent, or Firm*—Oblon, Spivak, McClelland, Maier & Neustadt, P.C.

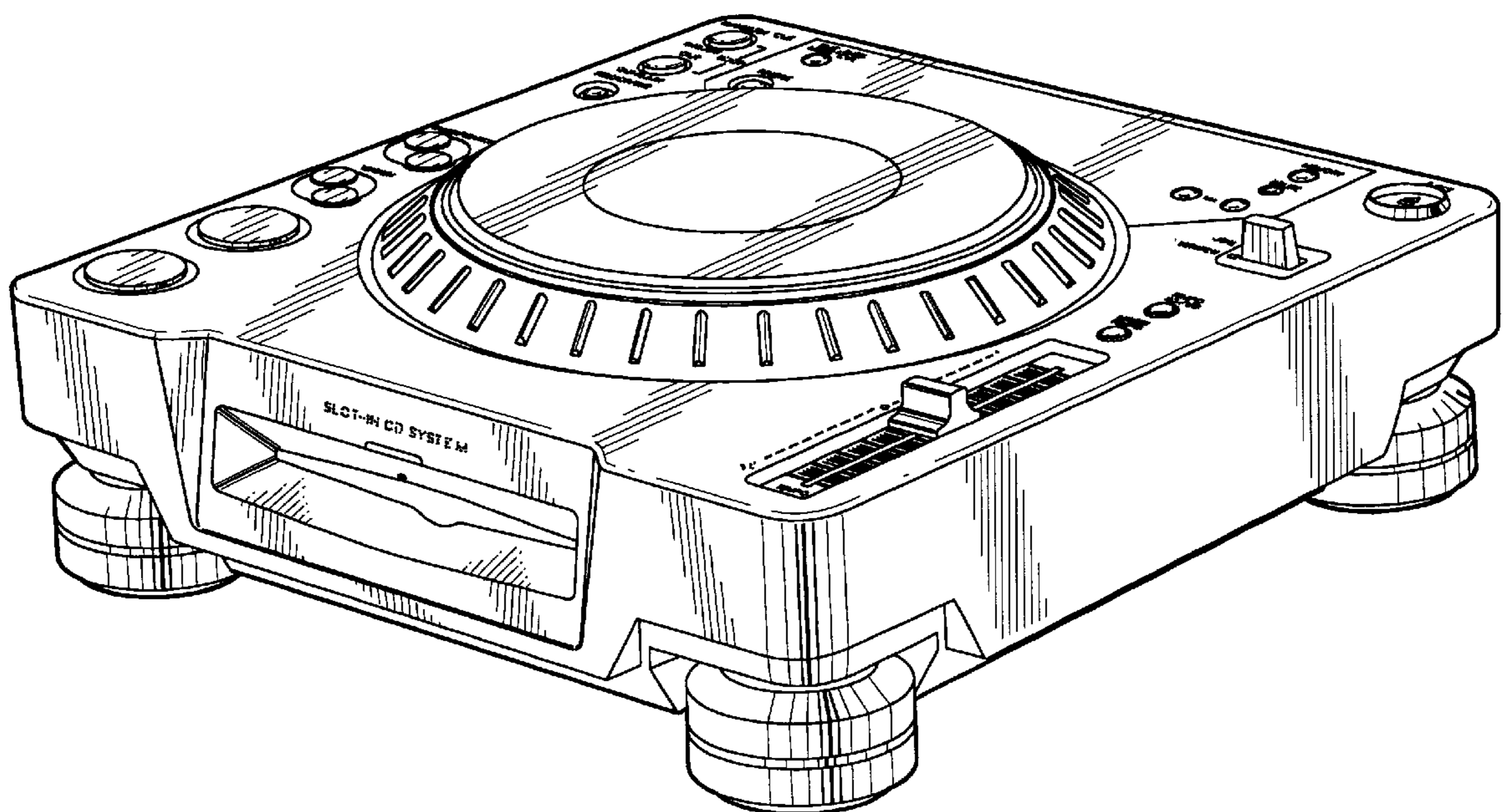
(57) **CLAIM**

The ornamental design for a digital audio disc player equipped with mixing function, as shown and described.

DESCRIPTION

FIG. 1 is a top, front and right side perspective view of a digital audio disc player equipped with mixing function showing my new design;
FIG. 2 is a front elevational view thereof;
FIG. 3 is a rear elevational view thereof;
FIG. 4 is a top plan view thereof;
FIG. 5 is a bottom plan view thereof;
FIG. 6 is a right side elevational view thereof;
FIG. 7 is a left side elevational view thereof; and,
FIG. 8 is a top plan view thereof showing the article according to the design when in a conducting state.
The broken line showing in the drawings is for illustrative purposes only and forms no part of the claimed design.

1 Claim, 6 Drawing Sheets



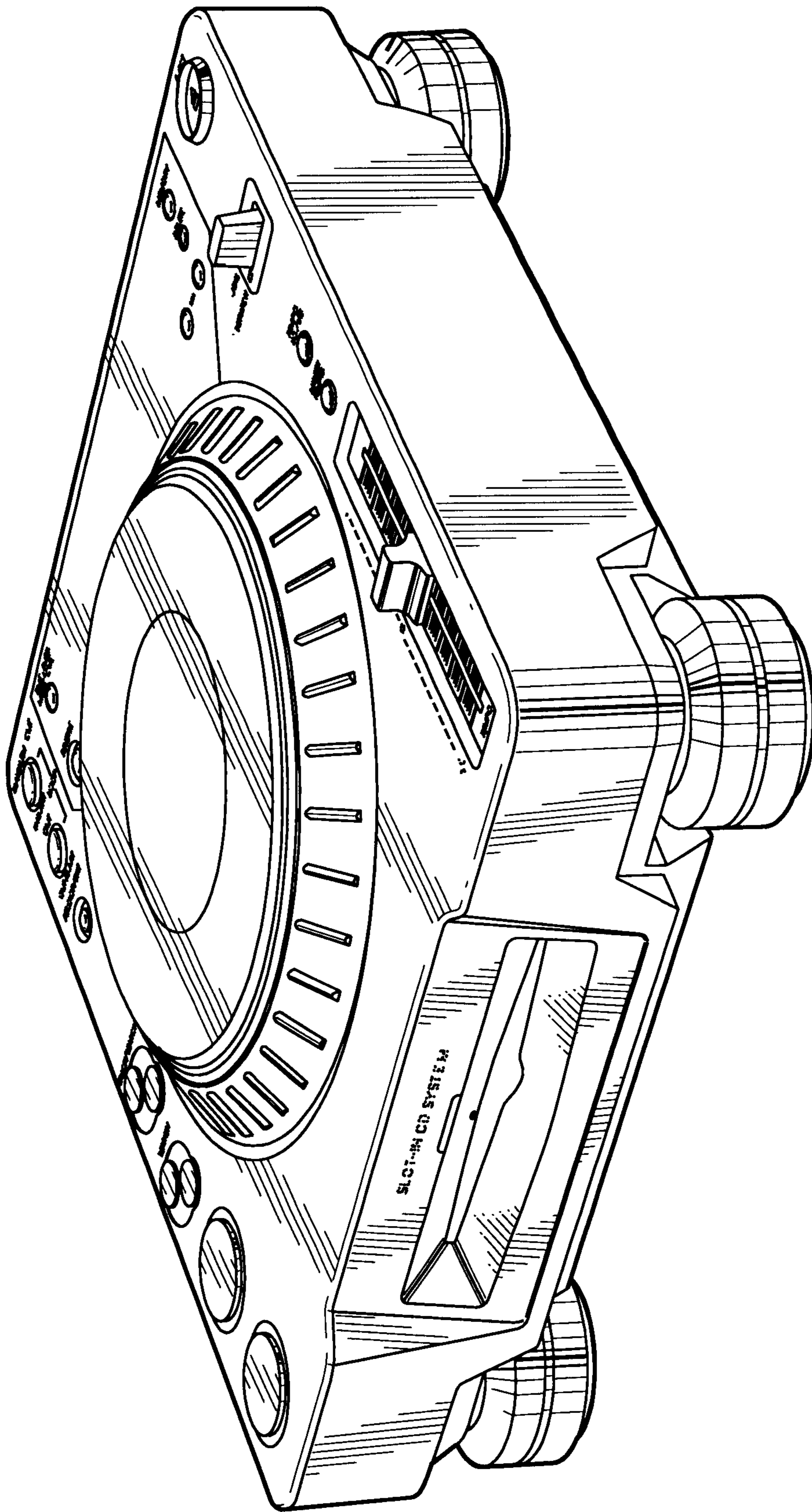


FIG. 1

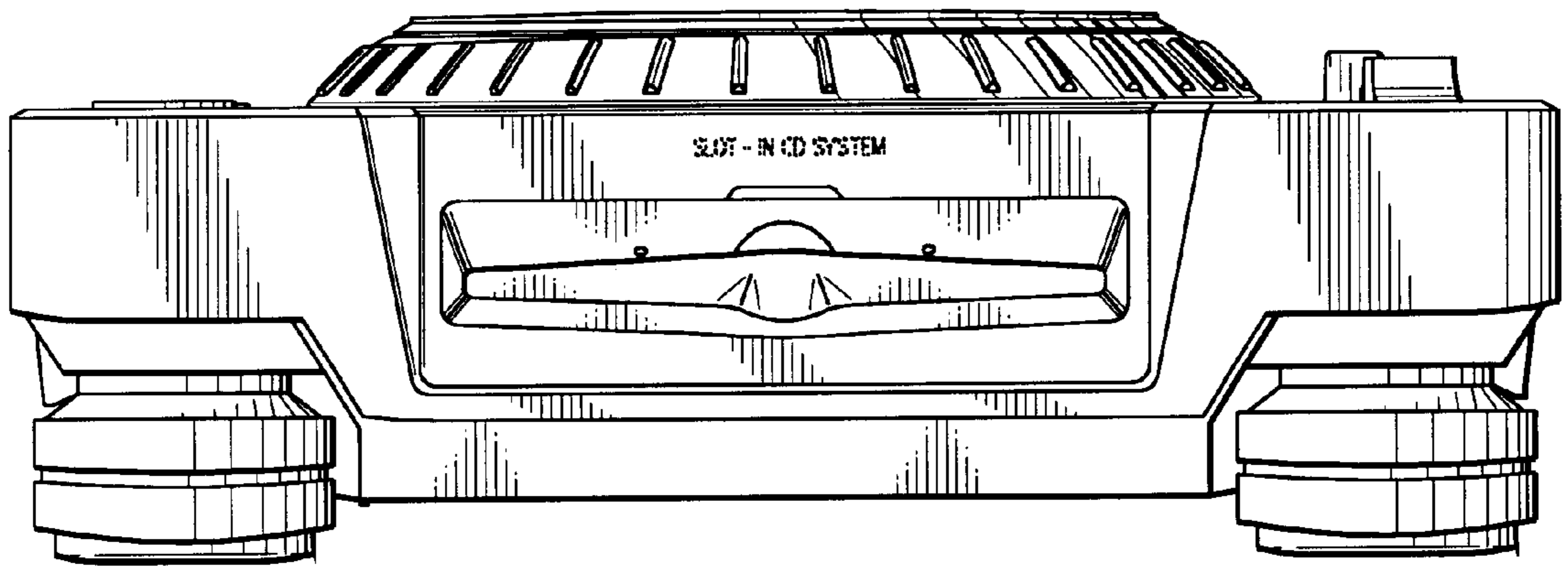


FIG. 2

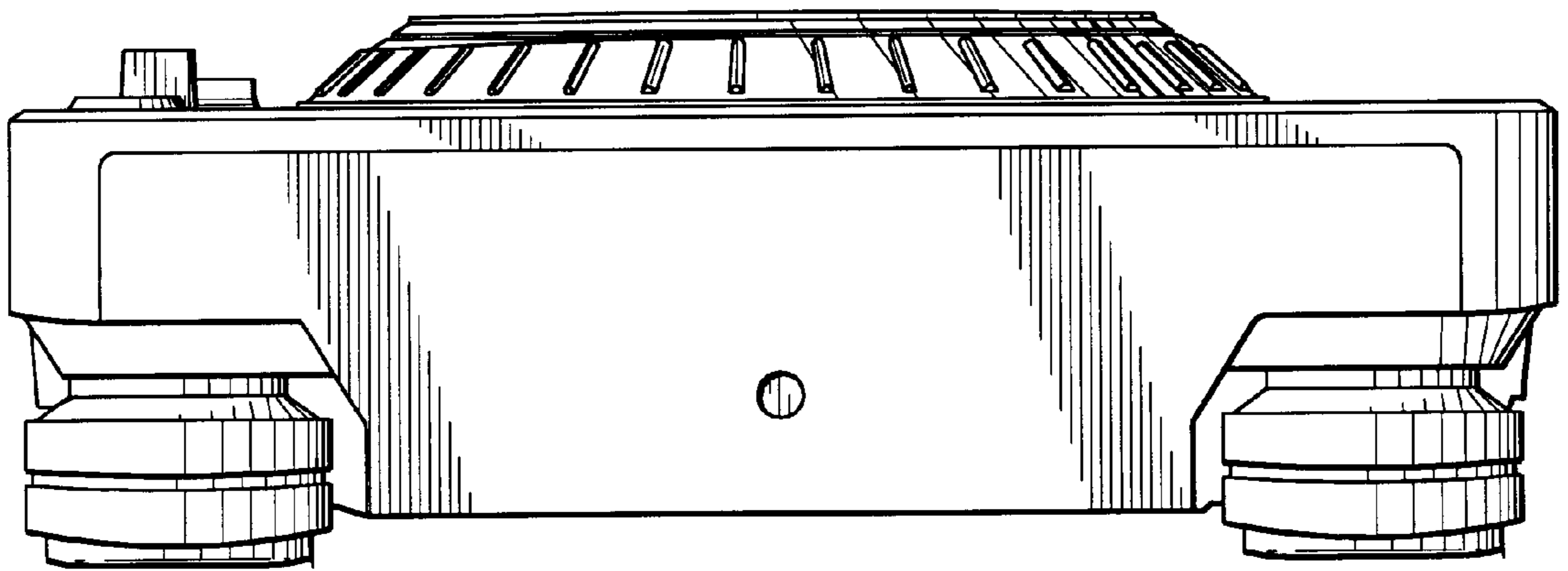


FIG. 3

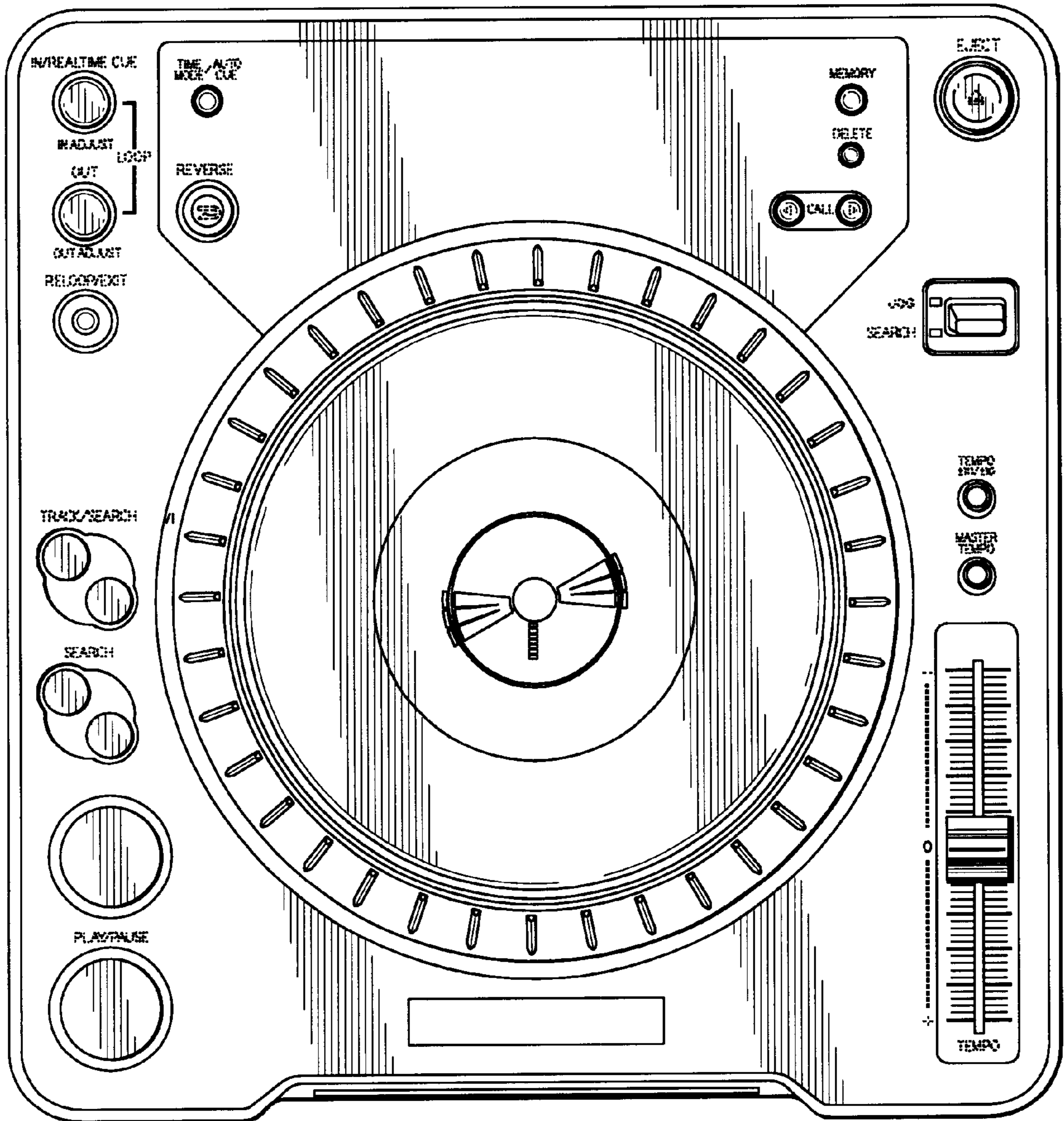


FIG. 4

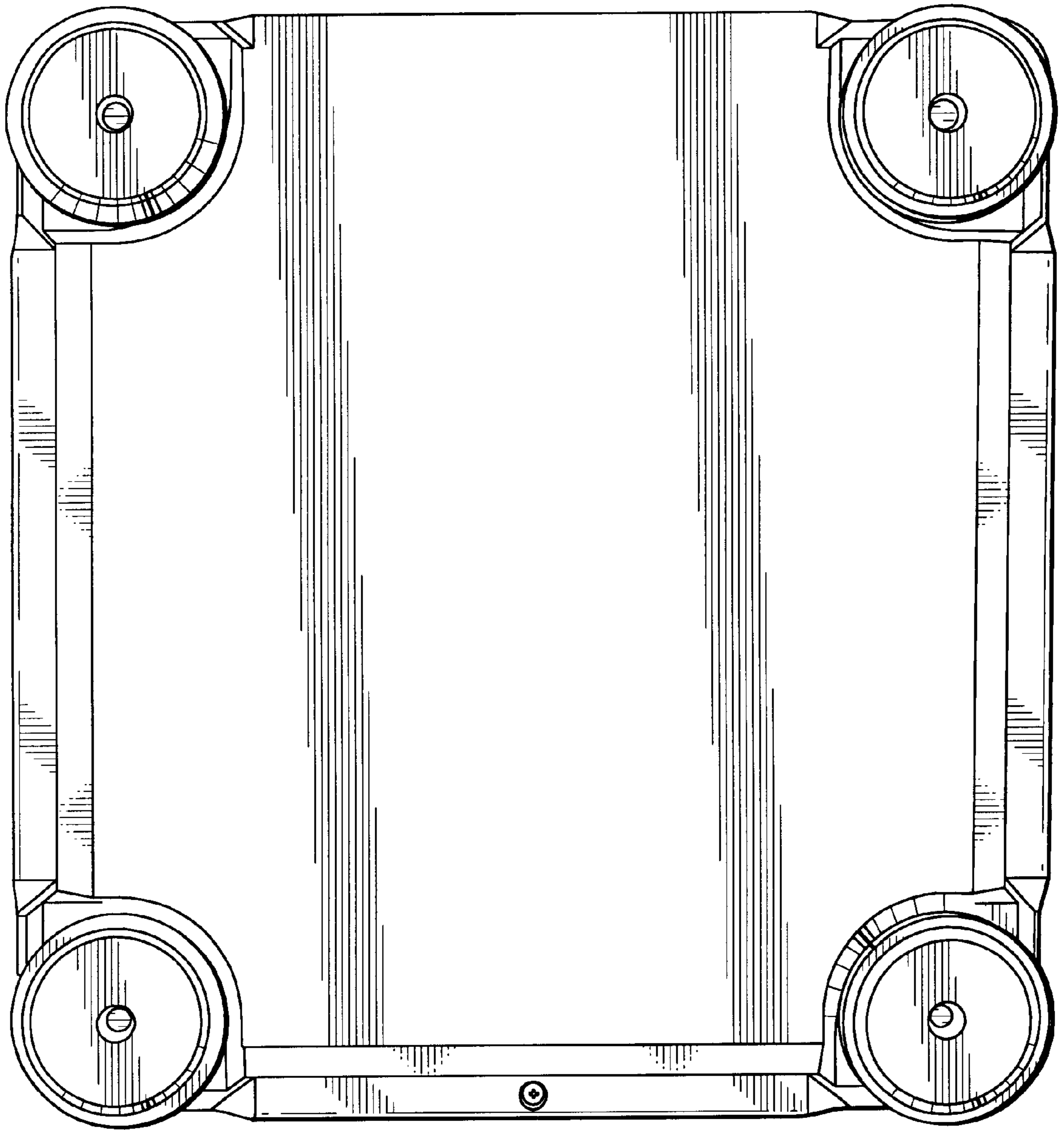


FIG. 5

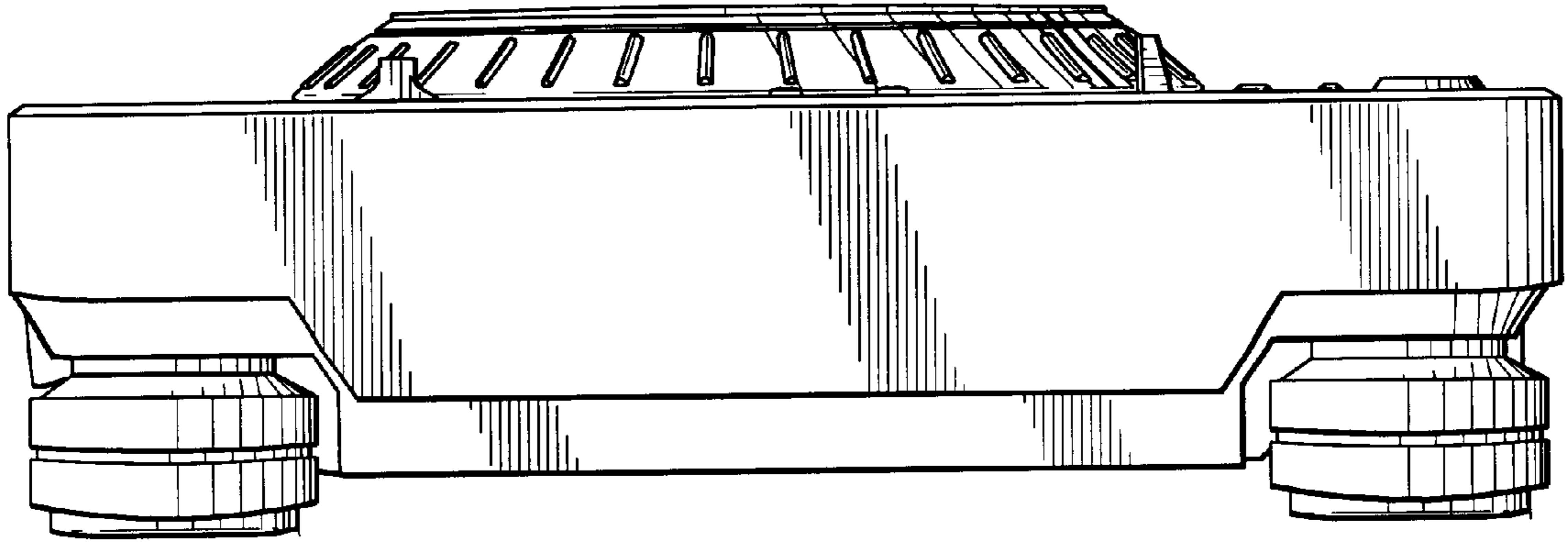


FIG. 6

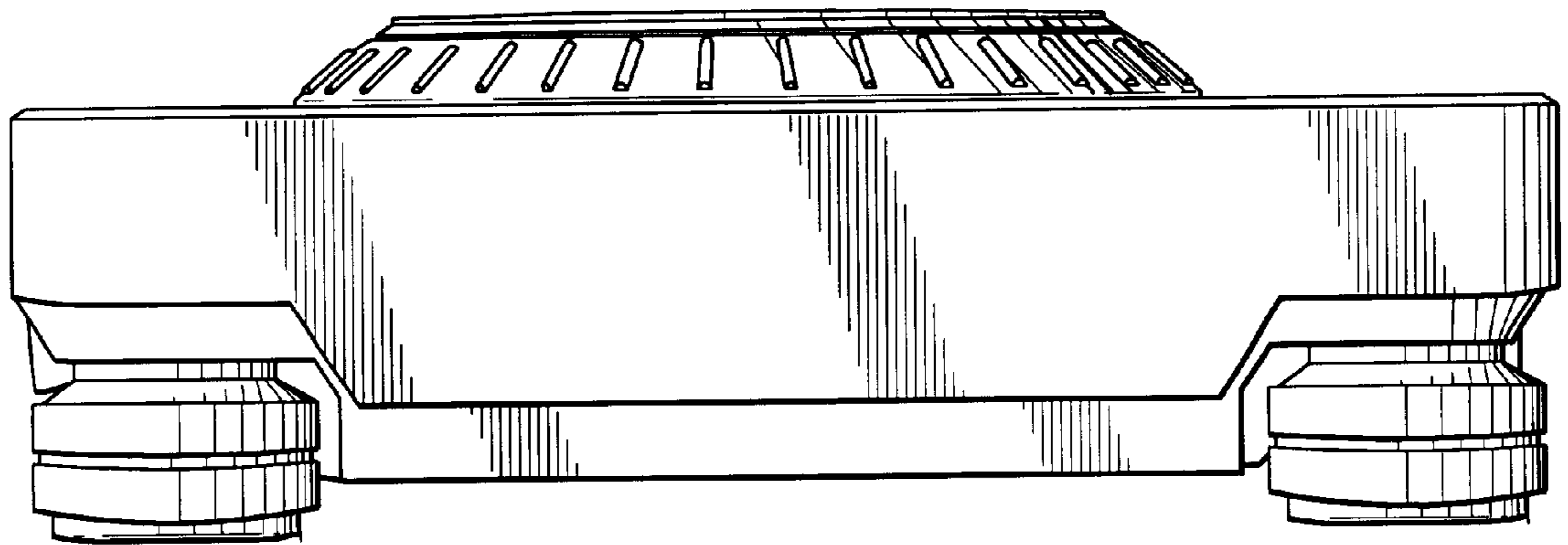


FIG. 7

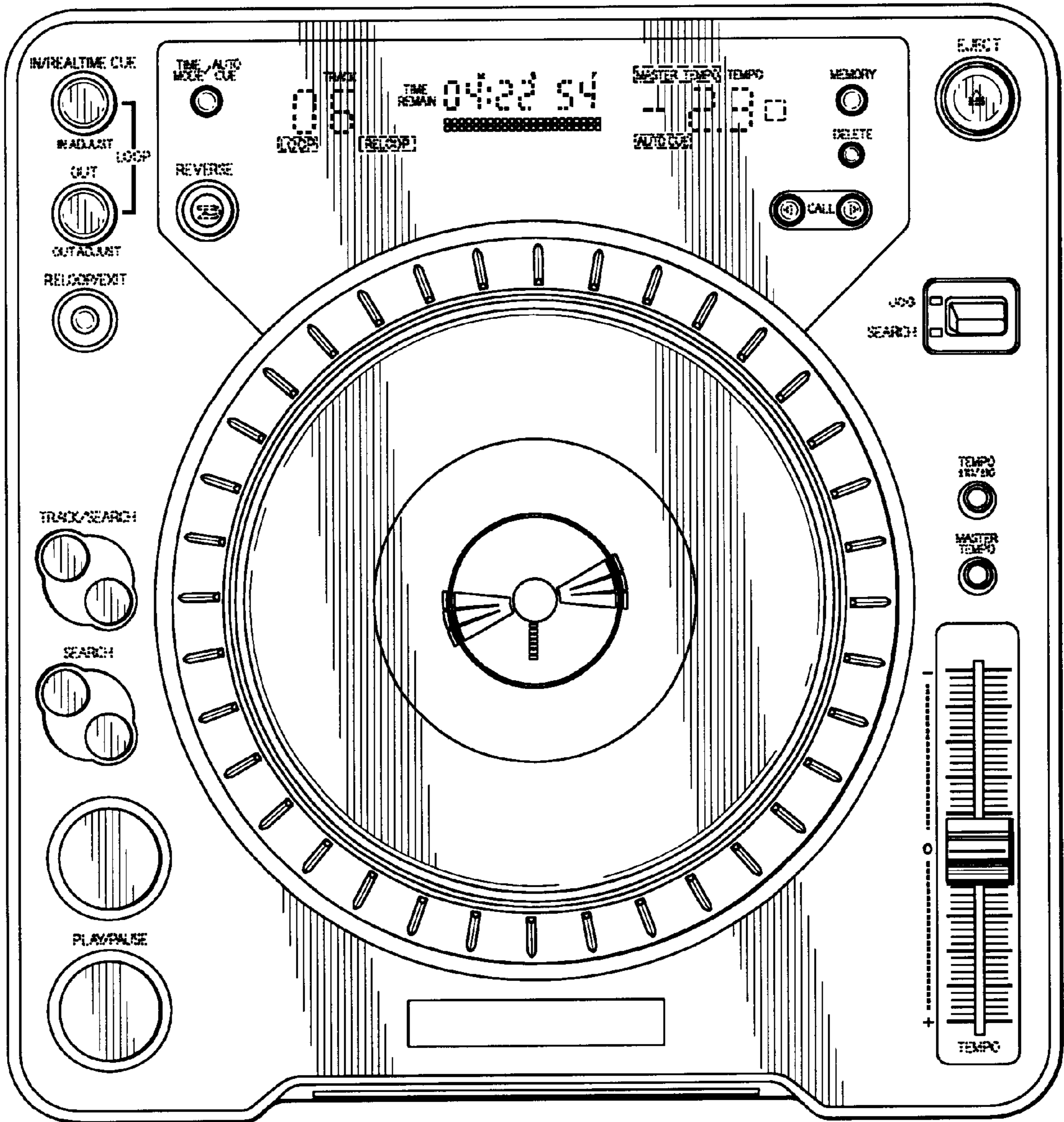


FIG. 8