



US00D454551S

(12) **United States Design Patent**
Bonadei et al.

(10) **Patent No.:** **US D454,551 S**

(45) **Date of Patent:** **** Mar. 19, 2002**

(54) **COMMUNICATION DEVICE**

(75) Inventors: **Silvano Bonadei**, Courroux; **Olivier Walther**, Tavannes, both of (CH)

(73) Assignee: **Swatch AG**, Bienne (CH)

(**) Term: **14 Years**

(21) Appl. No.: **29/145,105**

(22) Filed: **Jul. 16, 2001**

(30) **Foreign Application Priority Data**

Feb. 26, 2001 (XH) DM/055 197

(51) **LOC (7) Cl.** **14-03**

(52) **U.S. Cl.** **D14/138; D10/31**

(58) **Field of Search** D14/137, 138,
D14/218, 147-148, 247-248, 144, 191,
341-347; 379/433.01-433.13, 419, 434,
428.01-428.04, 420.01-420.04, 440; 455/550-575,
90; D10/30-32, 38-39; 368/10, 13

(56) **References Cited**

U.S. PATENT DOCUMENTS

D302,391 S	*	7/1989	Houlihan	D10/32
D345,736 S	*	4/1994	Scheid	D14/191
D355,380 S	*	2/1995	Nakai	D10/39
D365,550 S	*	12/1995	Houlihan	D14/344
5,499,292 A	*	3/1996	Blonder et al.	379/433.1
5,564,082 A	*	10/1996	Blonder et al.	455/90

D376,986 S	*	12/1996	Uzawa et al.	D10/38
5,781,511 A	*	7/1998	Yasukawa et al.	368/11
5,819,183 A	*	10/1998	Voroba et al.	455/550
D413,817 S	*	9/1999	Ando et al.	D10/31
D424,532 S	*	5/2000	Chida	D14/344
6,091,965 A	*	7/2000	Voroba et al.	455/550
D434,675 S	*	12/2000	Ando et al.	D10/31
6,233,203 B1	*	5/2001	Kawata	368/10
6,249,487 B1	*	6/2001	Yano et al.	368/47
6,311,071 B1	*	10/2001	Voroba et al.	455/550

* cited by examiner

Primary Examiner—Jeffrey Asch

(74) *Attorney, Agent, or Firm*—Collen Law Associates, P.C.; Robert M. McDermott

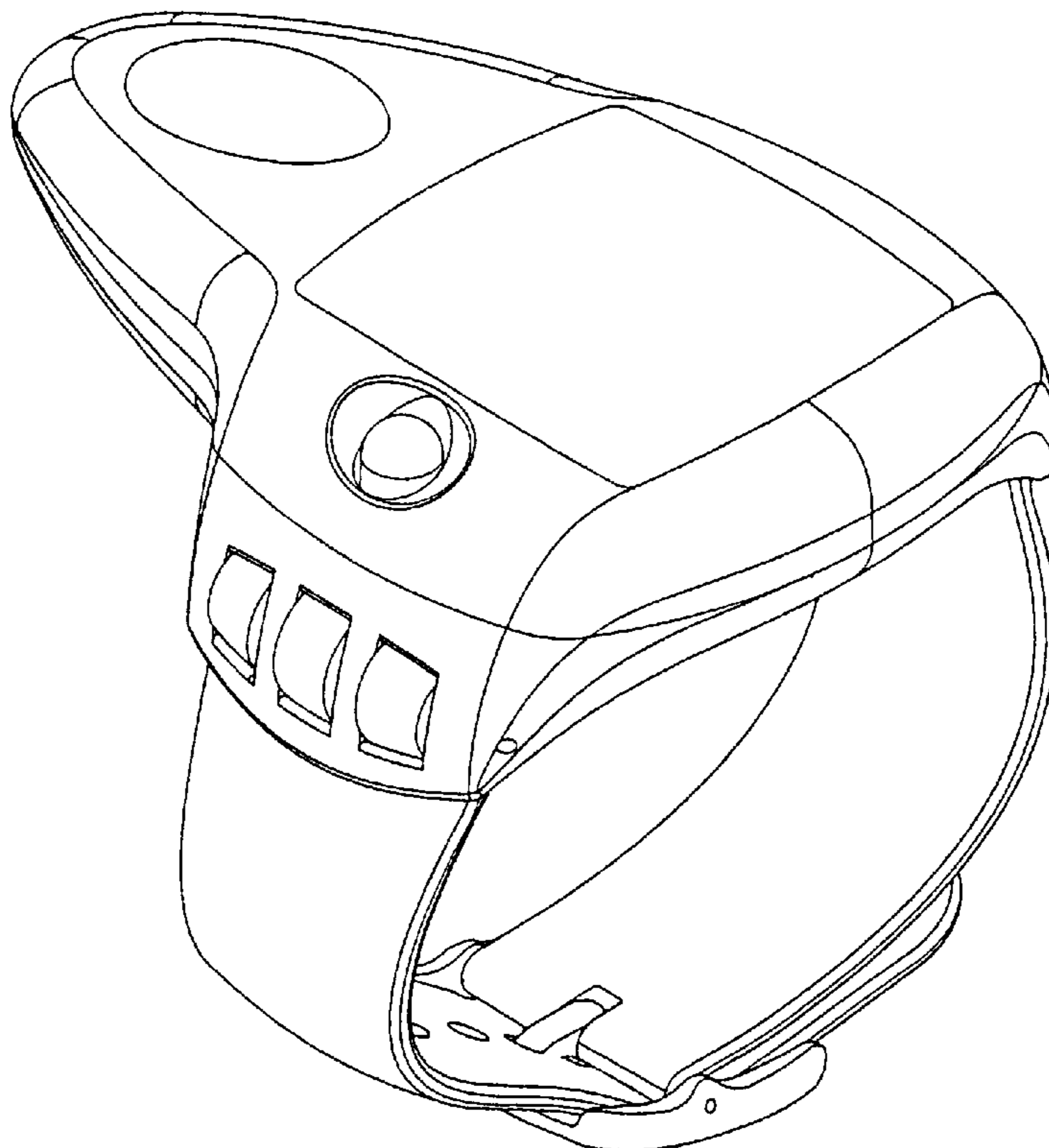
(57) **CLAIM**

The ornamental design for a communication device, as shown and described.

DESCRIPTION

FIG. 1 is a front view of my new and ornamental design for a communication device;
FIG. 2 is a rear view thereof;
FIG. 3 is a bottom view thereof;
FIG. 4 is a top view thereof;
FIG. 5 is a right side view thereof;
FIG. 6 is a left side view thereof; and,
FIG. 7 is a right perspective view thereof.

1 Claim, 7 Drawing Sheets



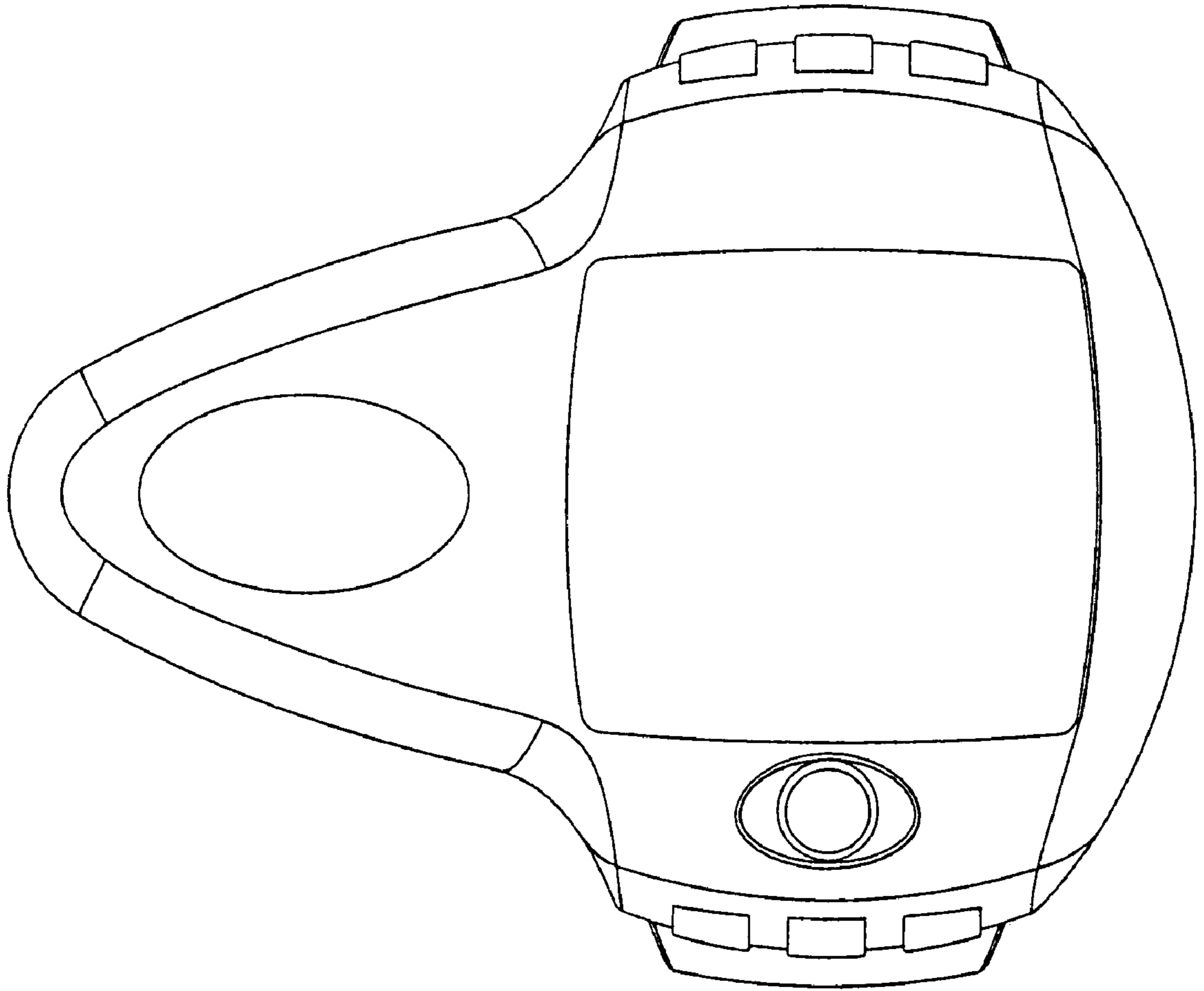


Fig. 1

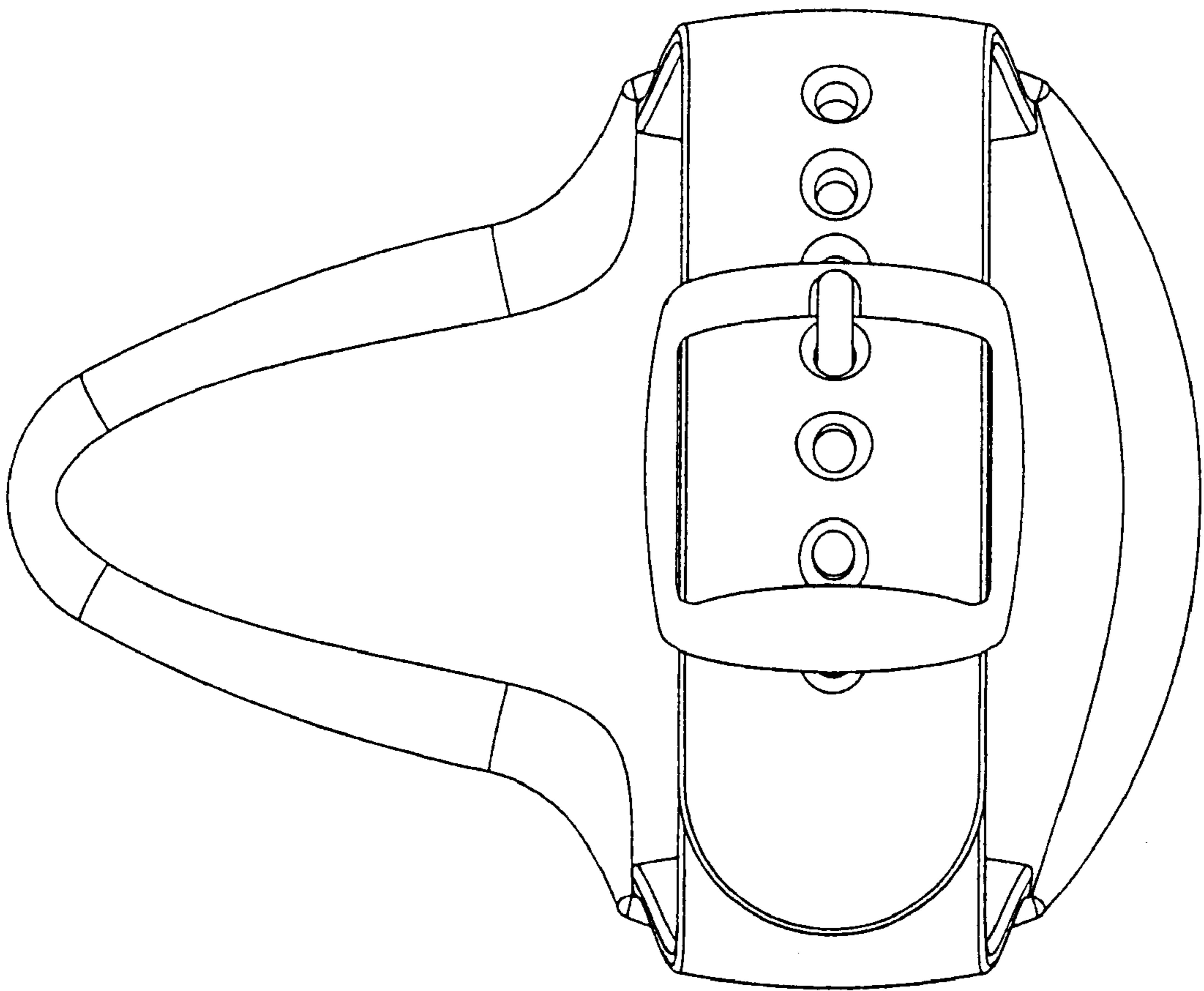


Fig. 2

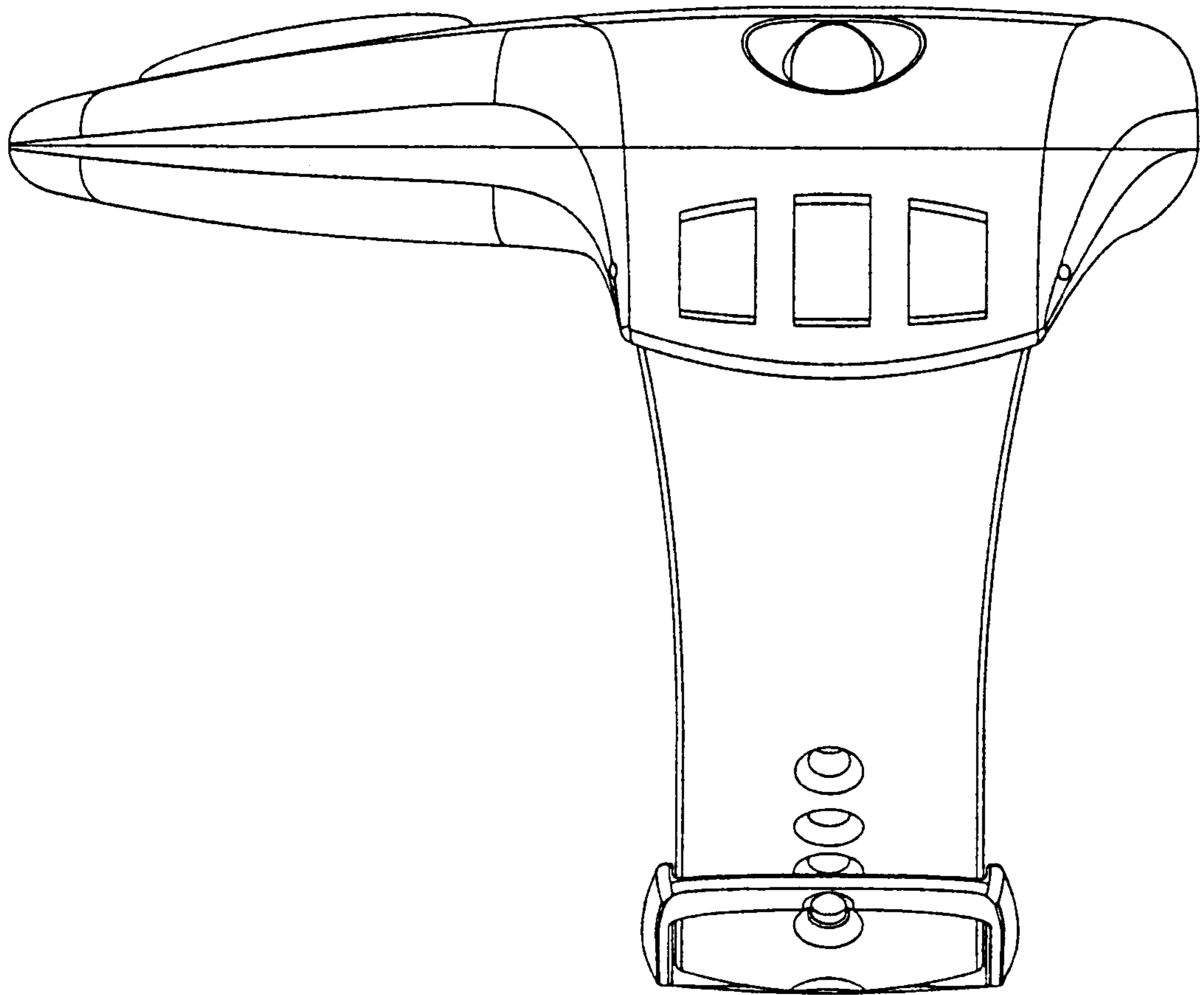


Fig. 3

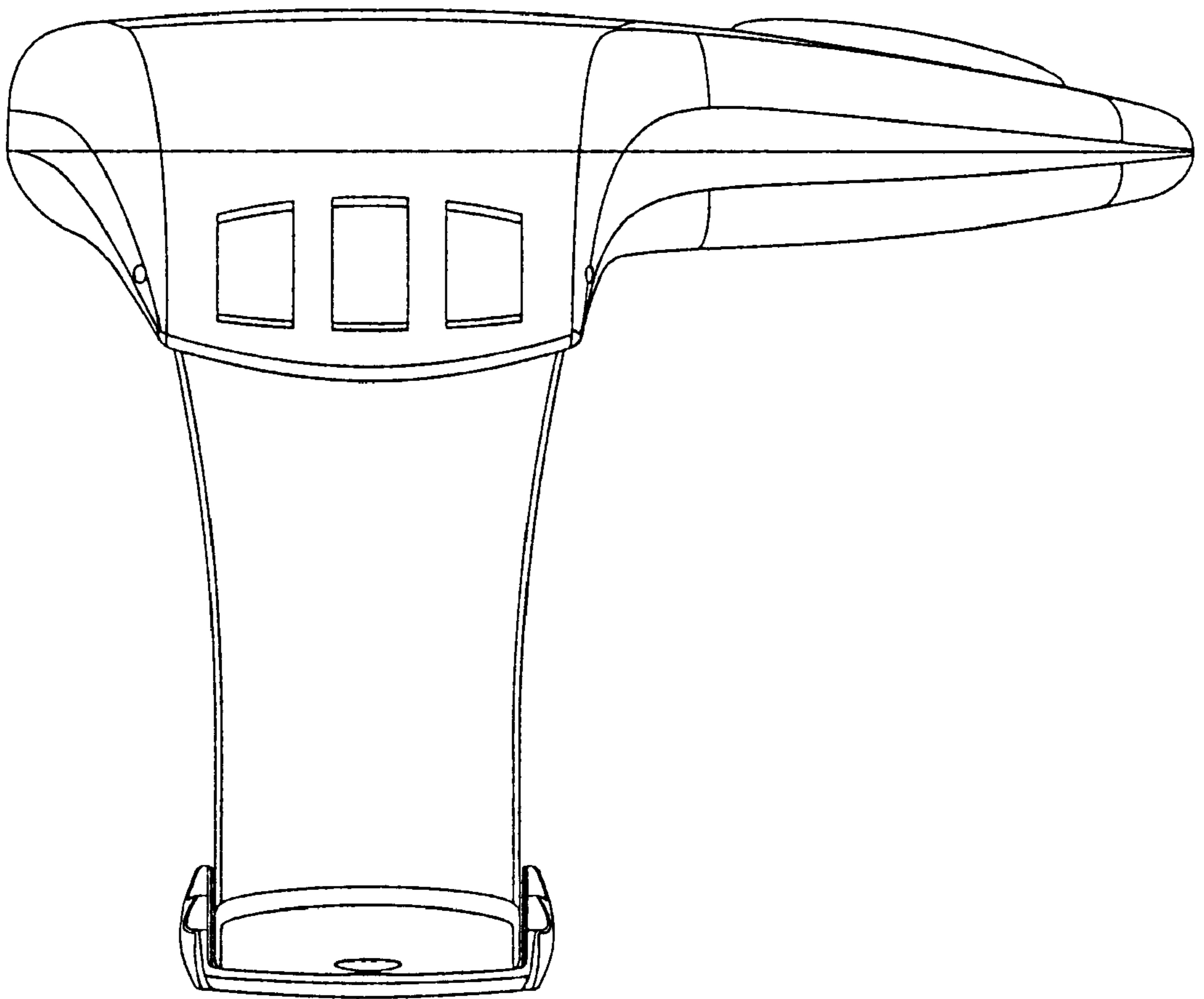


Fig. 4

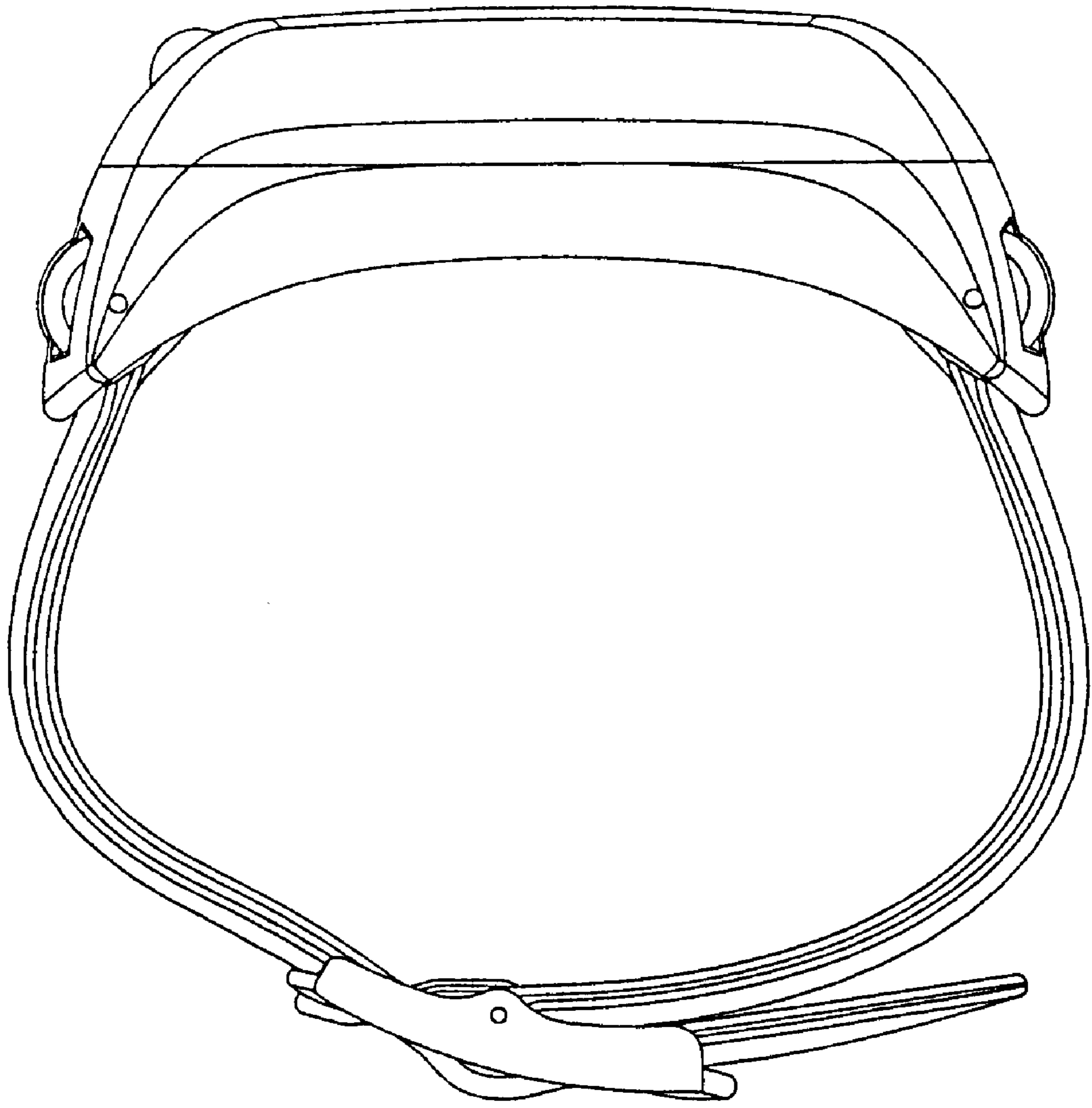


Fig. 5

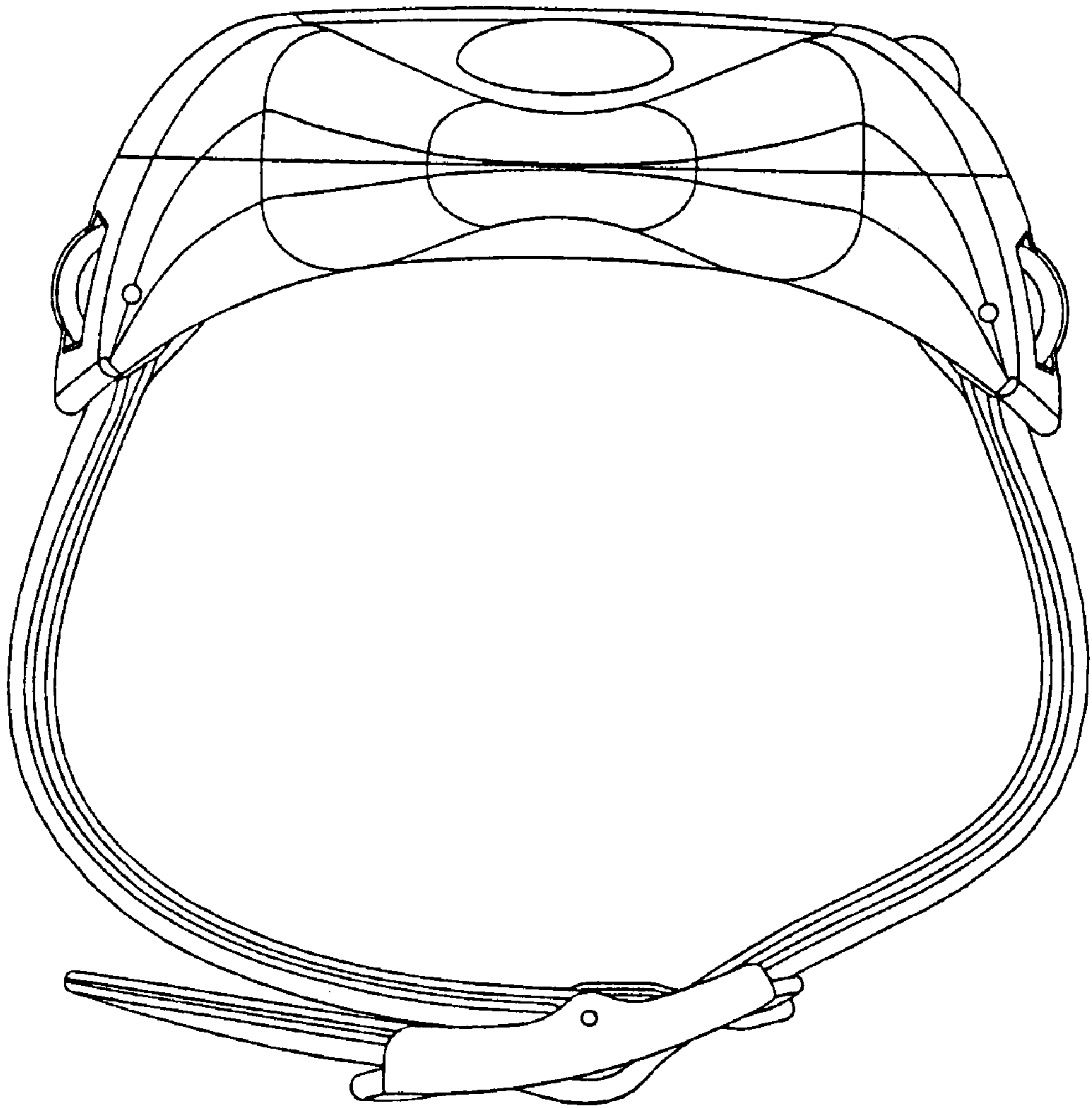


Fig. 6

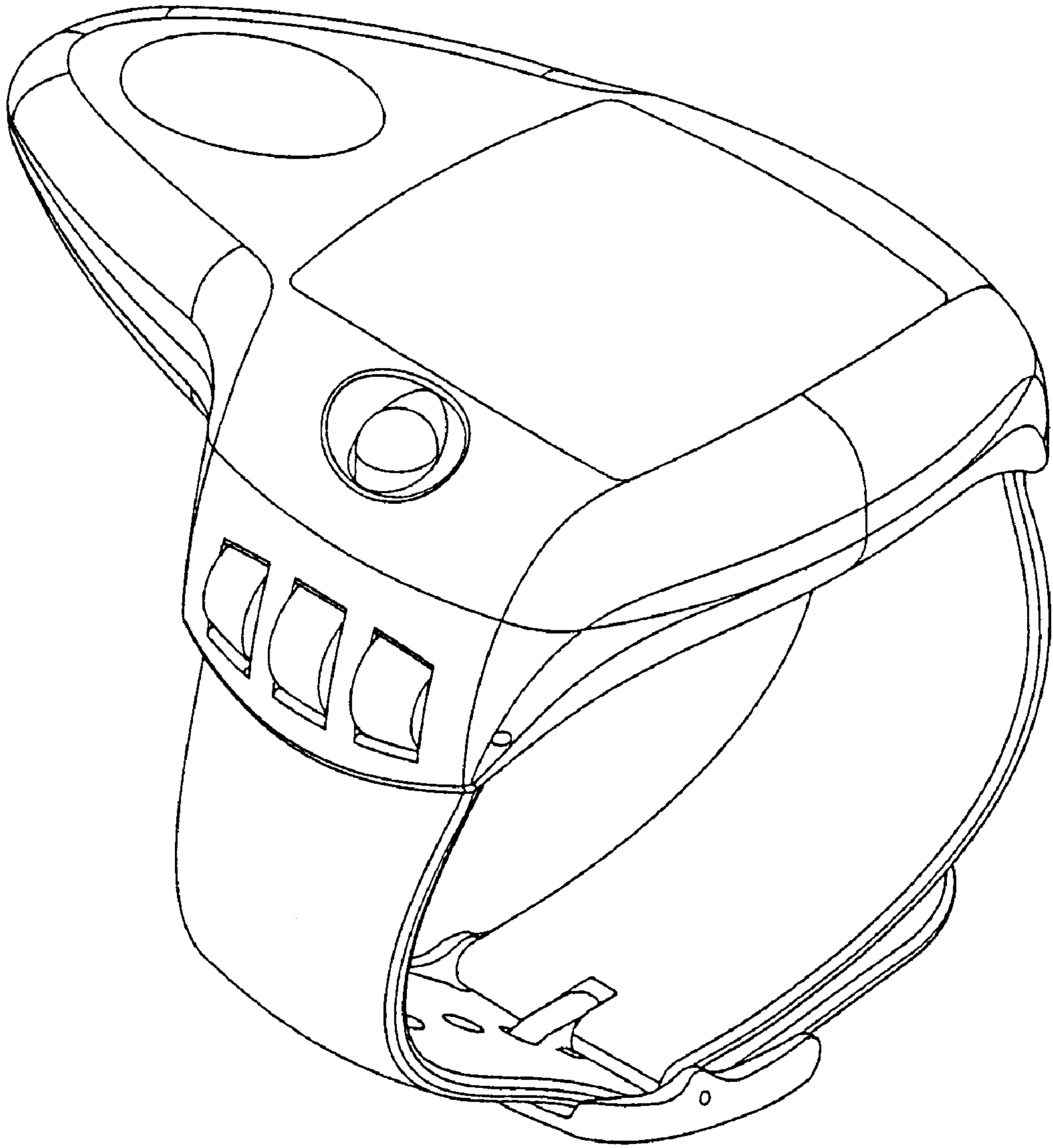


Fig. 7