



US00D454547S

(12) **United States Design Patent**
Lin

(10) **Patent No.:** **US D454,547 S**

(45) **Date of Patent:** **** Mar. 19, 2002**

(54) **REMOTE CONTROLLER**

(76) Inventor: **Chiu-Lang Lin**, P.O. Box 1-79, Taipei (TW)

(**) Term: **14 Years**

(21) Appl. No.: **29/142,667**

(22) Filed: **Jun. 1, 2001**

(51) **LOC (7) Cl.** **13-03**

(52) **U.S. Cl.** **D13/168**

(58) **Field of Search** D13/158, 159, D13/160, 162, 164, 168, 174, 177; 200/331; 348/734; 455/151.1-151.4, 352-355

(56) **References Cited**

U.S. PATENT DOCUMENTS

D219,028 S	*	10/1970	Camarillo et al.	D14/218
D327,052 S	*	6/1992	Roberts et al.	D13/168
D377,767 S	*	2/1997	Doppelt et al.	D10/104
D379,009 S	*	4/1997	Osiecki	D14/167
D381,662 S	*	7/1997	Weissberg et al.	D14/218
D388,349 S	*	12/1997	Youabian	D10/104

D392,945 S	*	3/1998	Barry et al.	D13/184
D398,588 S	*	9/1998	Pinardi et al.	D13/168
D406,107 S	*	2/1999	Flick	D13/168
D413,889 S	*	9/1999	Nakano	D14/167
D418,837 S	*	1/2000	Ishii	D14/218

* cited by examiner

Primary Examiner—Ted Shooman
Assistant Examiner—Selina Sikder

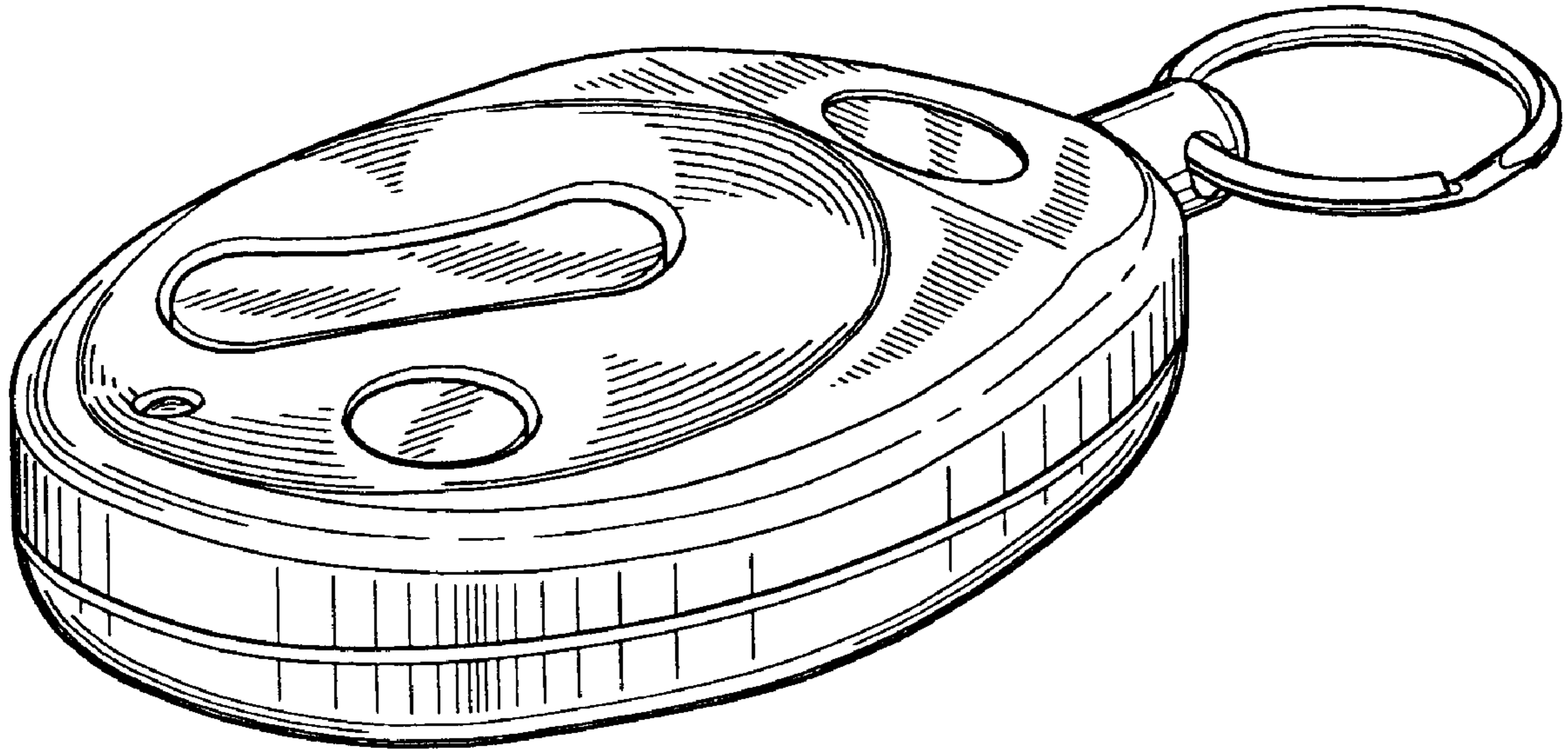
(57) **CLAIM**

The ornamental design for a remote controller, as shown.

DESCRIPTION

FIG. 1 is a perspective view of the remote controller of this invention;
FIG. 2 is a front elevational view thereof;
FIG. 3 is a rear elevational view thereof;
FIG. 4 is a left side elevational view thereof;
FIG. 5 is a right side elevational view thereof;
FIG. 6 is a top plan view thereof; and,
FIG. 7 is a bottom plan view thereof.

1 Claim, 3 Drawing Sheets



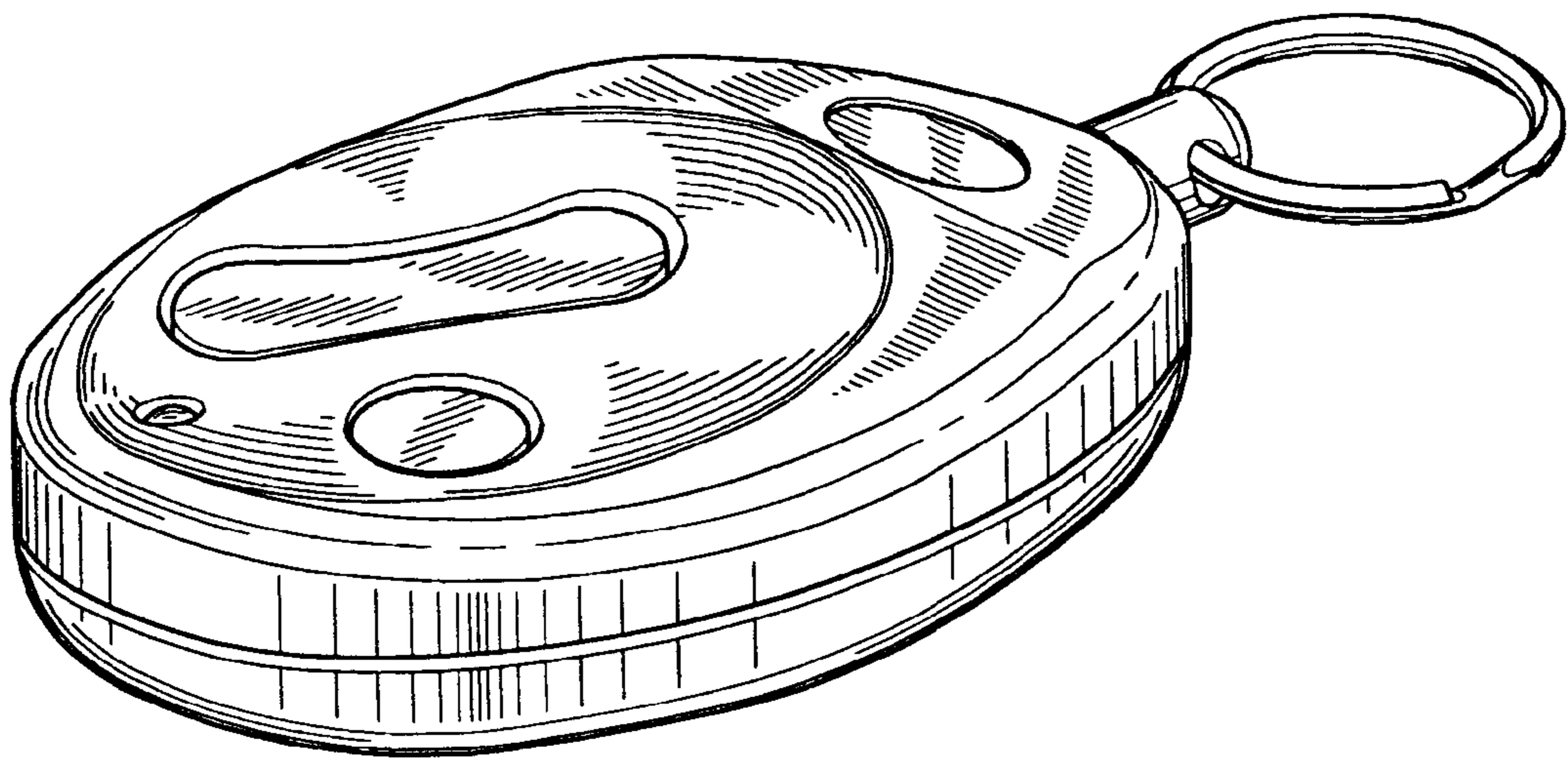


FIG. 1

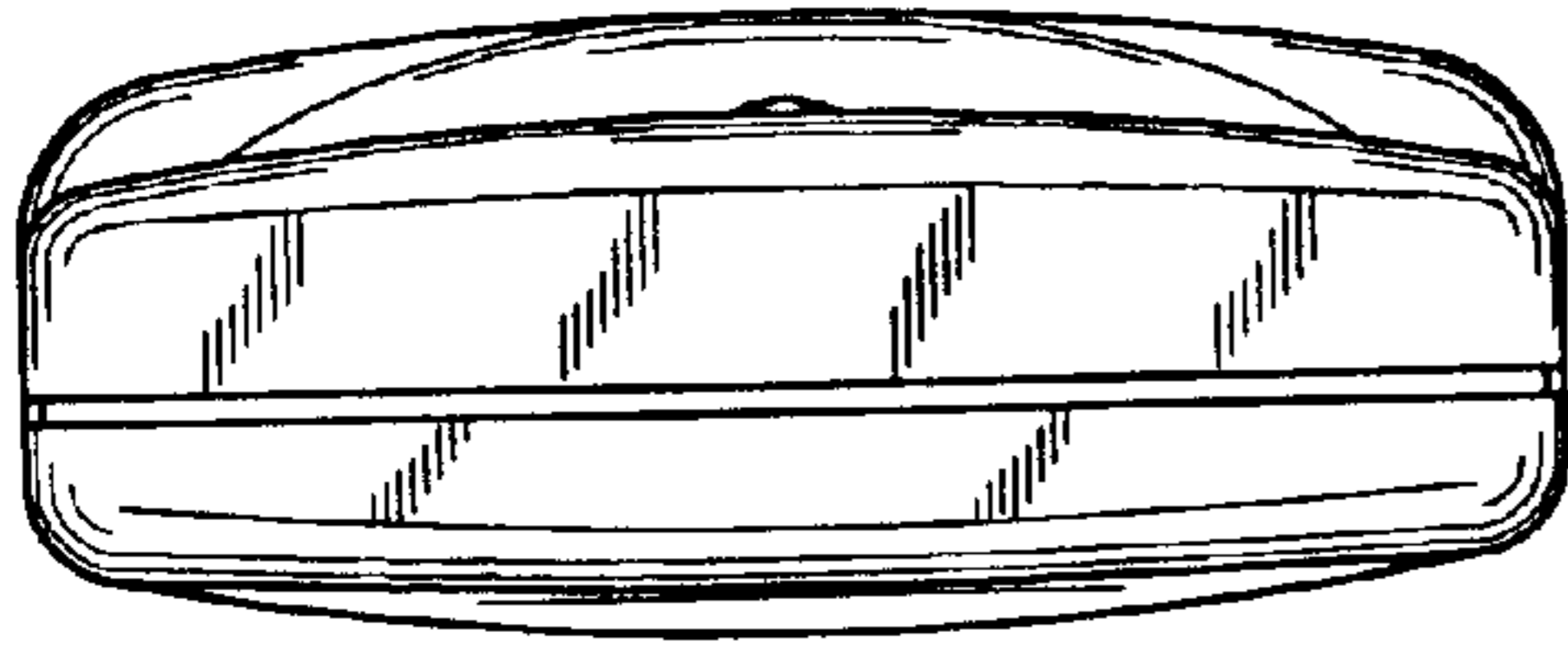


FIG. 2

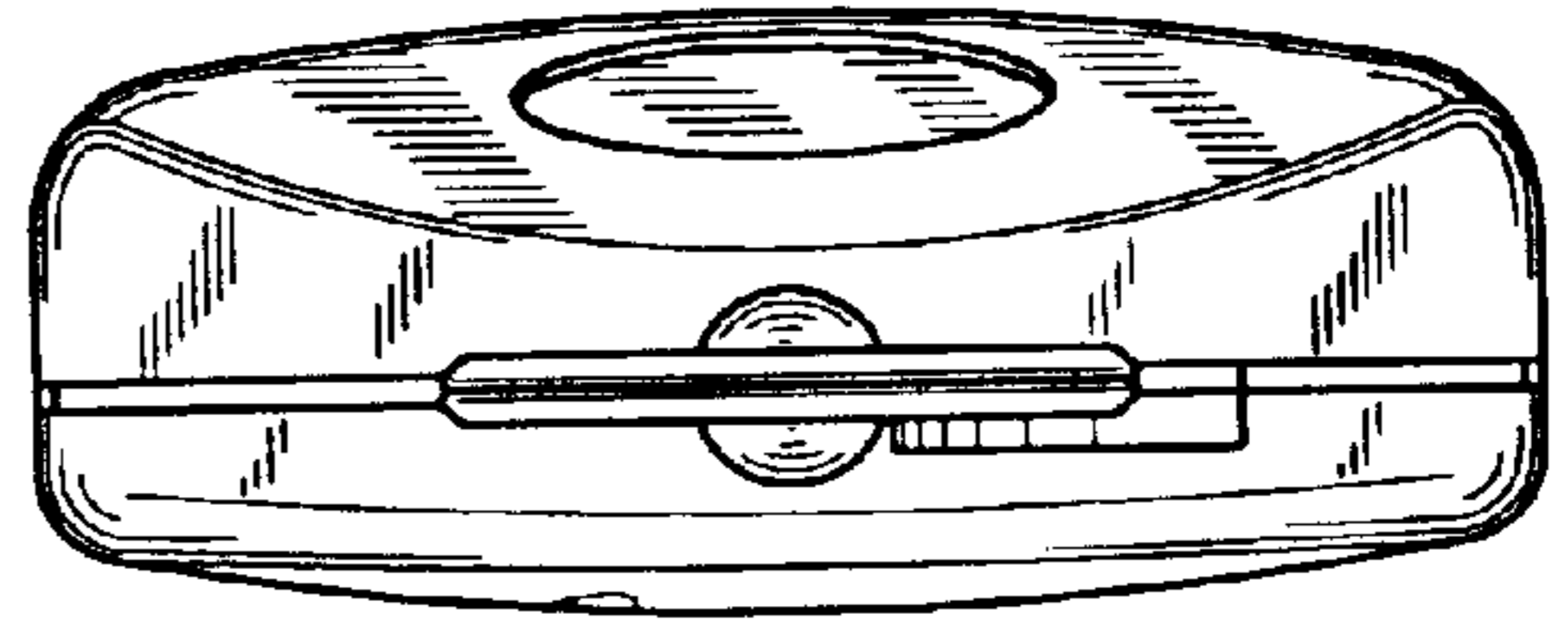


FIG. 3

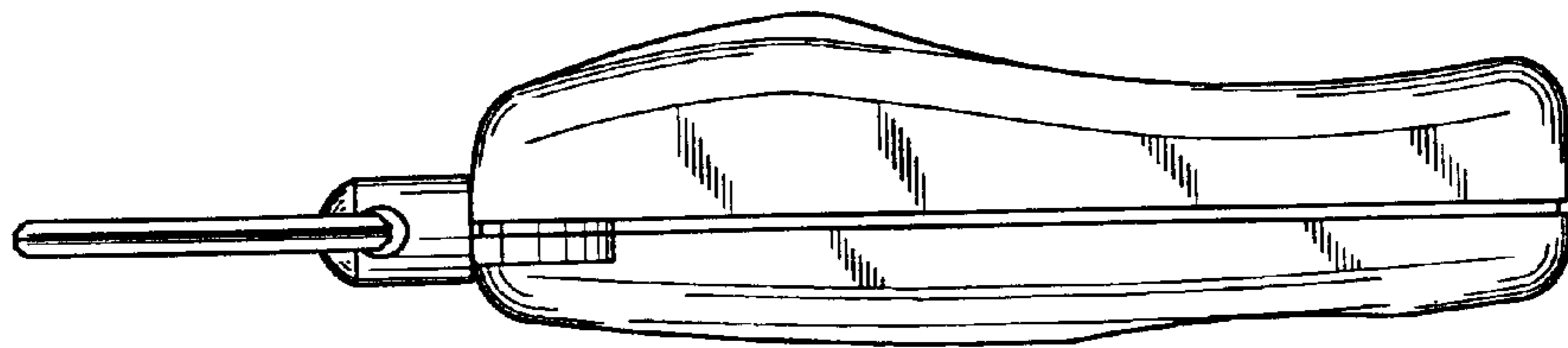


FIG. 4

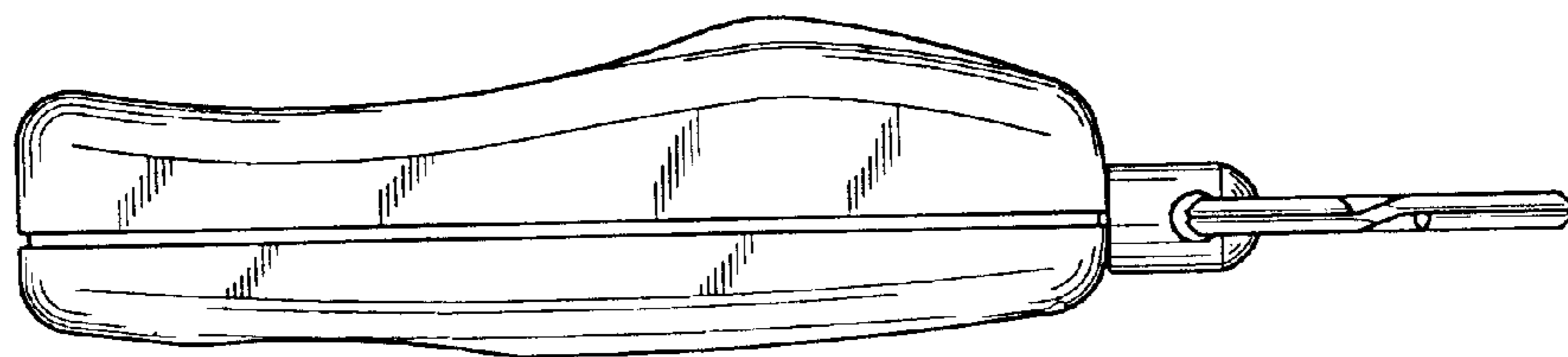


FIG. 5

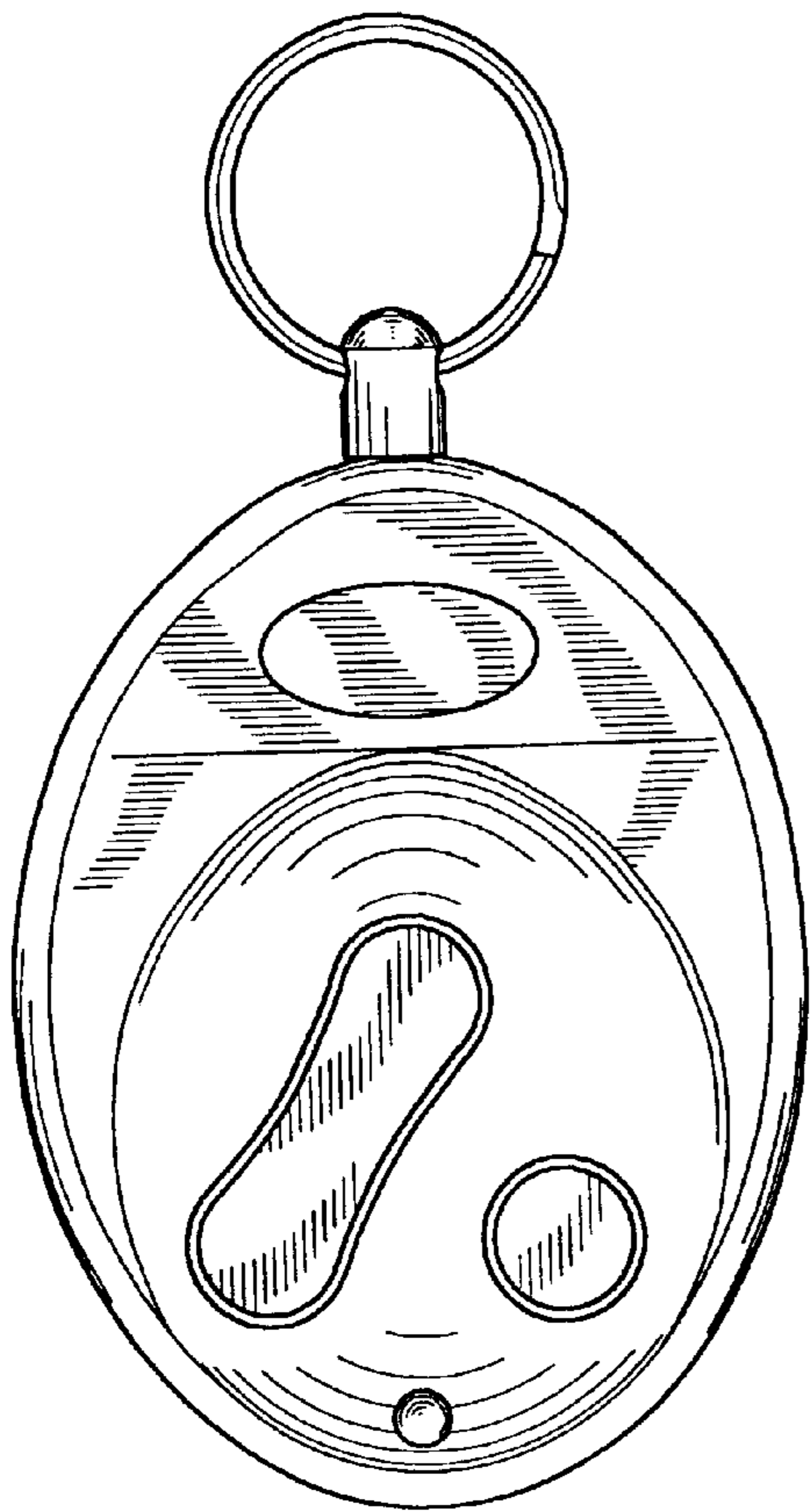


FIG. 6

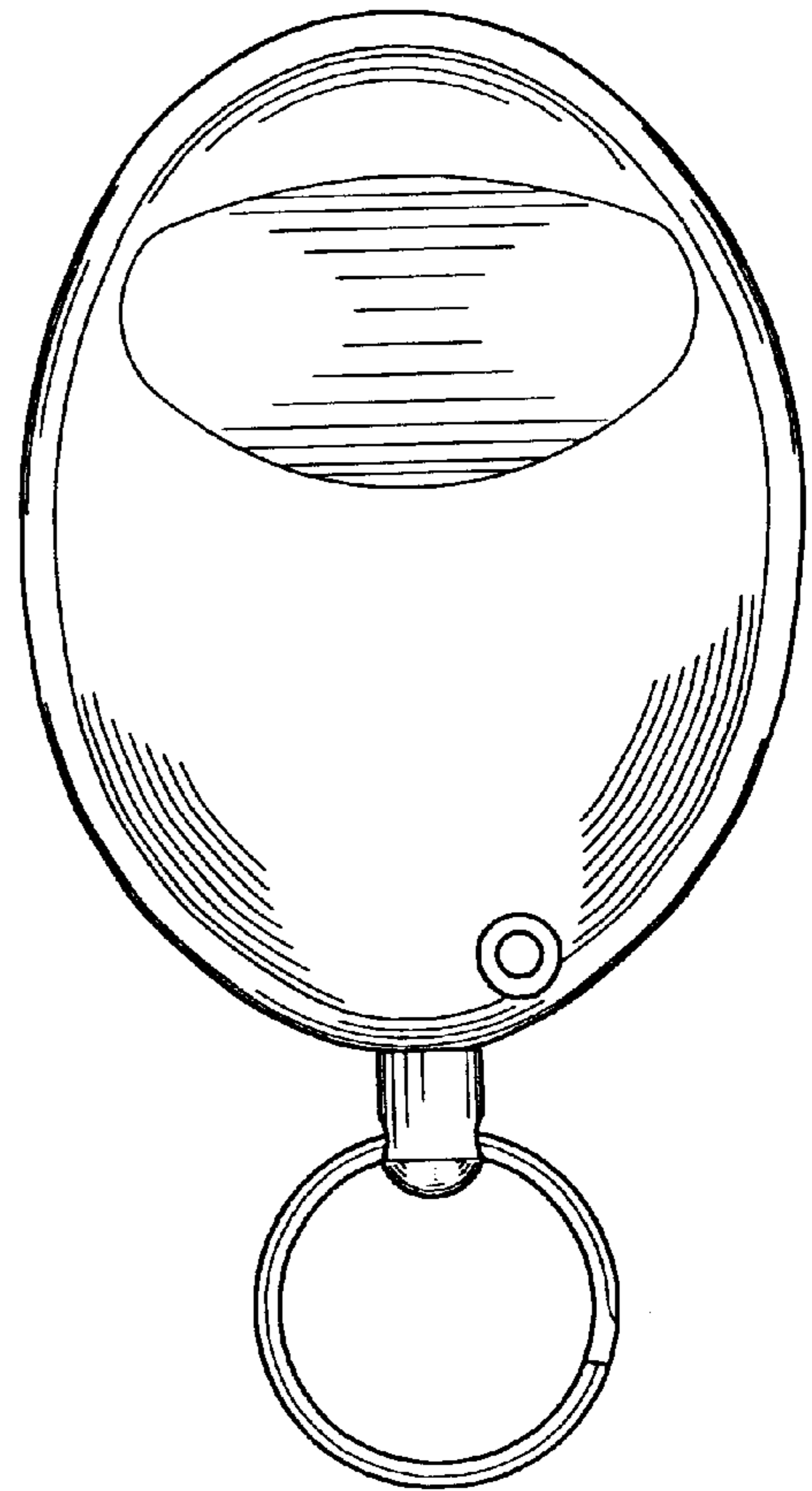


FIG. 7