



US00D454545S

(12) **United States Design Patent**  
**Hayashi et al.**

(10) **Patent No.:** **US D454,545 S**  
(45) **Date of Patent:** **\*\* Mar. 19, 2002**

(54) **ELECTRIC CONNECTOR CONTACT ELEMENT**

6,077,131 A \* 6/2000 Fukuda et al. .... 439/884  
6,217,379 B1 \* 4/2001 DaHulster et al. .... 439/572.5

(75) Inventors: **Koji Hayashi**, Tachikawa; **Masaaki Takaku**, Tokyo, both of (JP)

\* cited by examiner

(73) Assignee: **Japan Aviation Electronics Industry, Limited**, Tokyo (JP)

*Primary Examiner*—Joel Sincavage  
(74) *Attorney, Agent, or Firm*—Michael Best & Friedrich LLC; J. Warren Whitesel

(\*\*) Term: **14 Years**

(57) **CLAIM**

(21) Appl. No.: **29/119,793**

The ornamental design for an electric connector contact element, as shown and described.

(22) Filed: **Mar. 8, 2000**

**DESCRIPTION**

(30) **Foreign Application Priority Data**

Sep. 9, 1999 (JP) ..... 11-24314

(51) **LOC (7) Cl.** ..... **13-03**

(52) **U.S. Cl.** ..... **D13/154; D13/133**

(58) **Field of Search** ..... D13/133, 149,  
D13/154; 439/872, 877, 884

FIG. 1 is a front elevational view of an electric connector contact element;

FIG. 2 is a rear elevational view thereof;

FIG. 3 is a right side elevational view thereof;

FIG. 4 is a top plan view thereof;

FIG. 5 is a bottom plan view thereof;

FIG. 6 is a perspective view of the front and right side thereof; and,

FIG. 7 is a perspective view illustrating a state in use thereof wherein the electric connector contact element is coupled with a wire, which is shown in broken lines.

A left side elevational view of the electric connector contact element is omitted because it is presented symmetrical to the right side elevational view of FIG. 3.

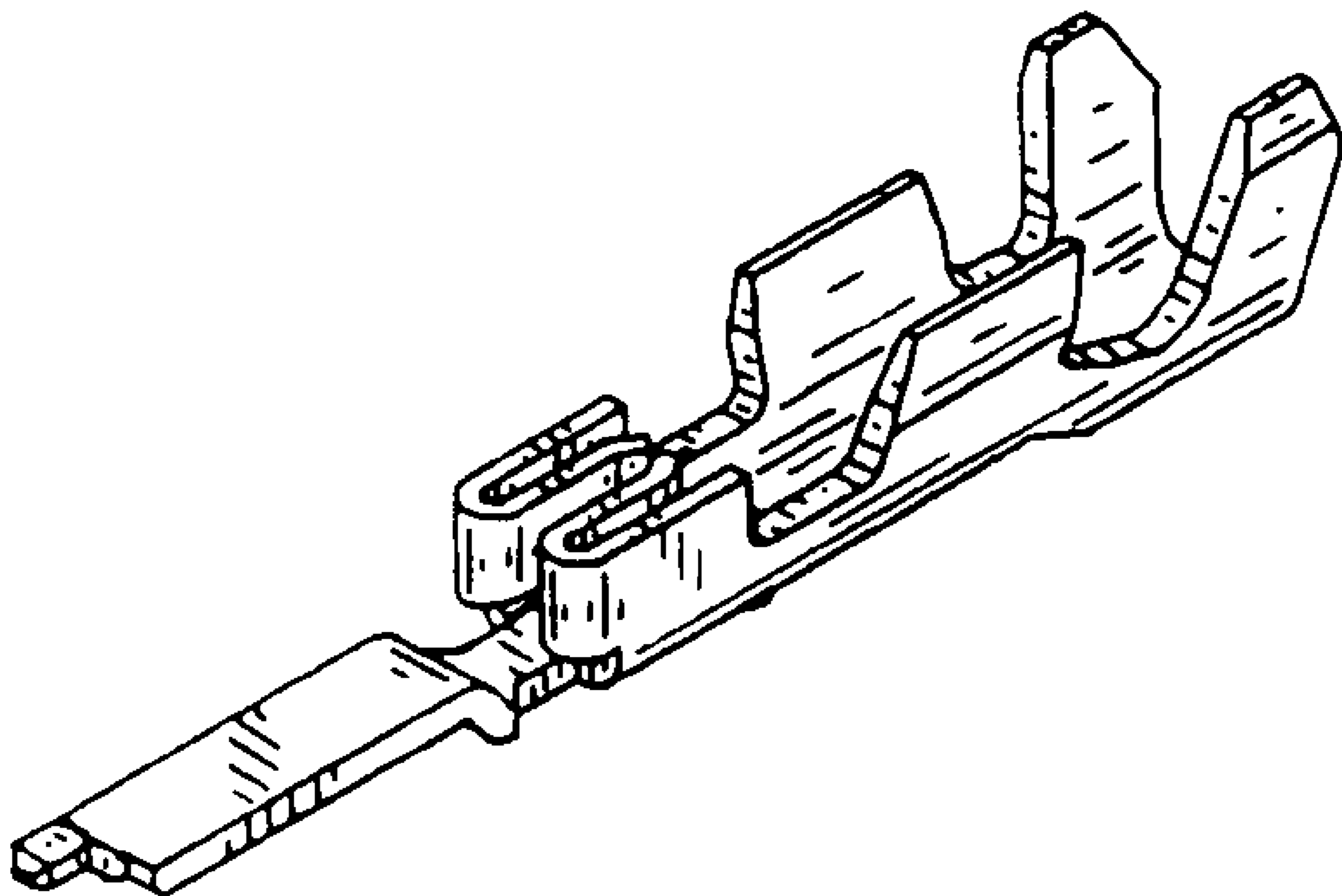
The broken lines showing a wire in FIG. 7 are included to illustrate environmental structure only and form no part of the claimed design.

(56) **References Cited**

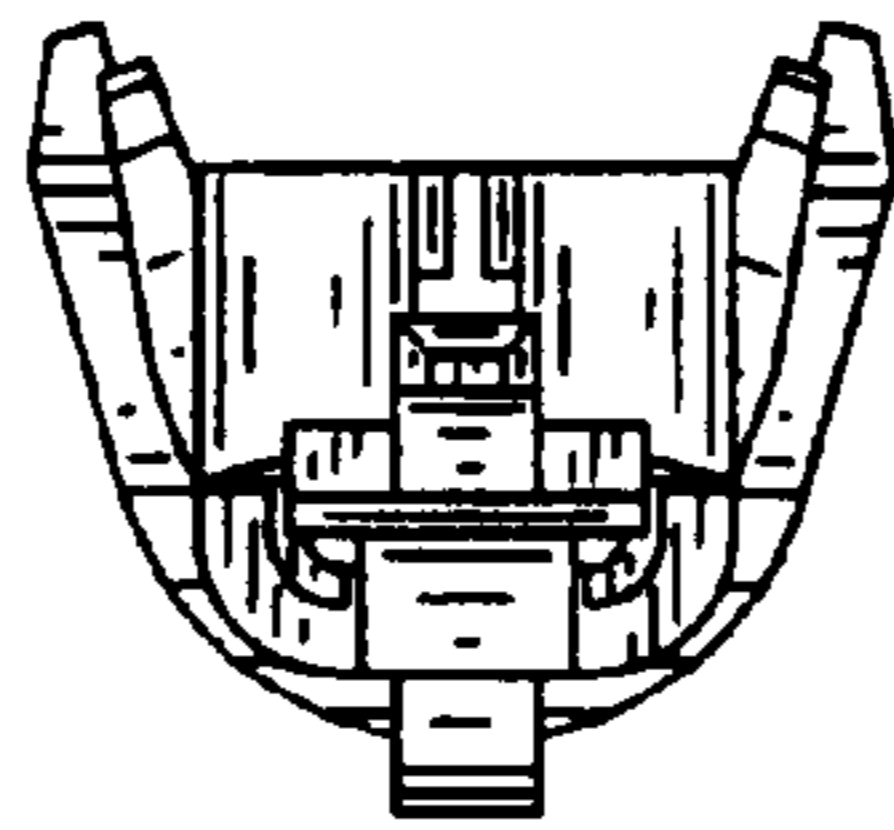
**U.S. PATENT DOCUMENTS**

- 3,210,721 A \* 10/1965 Dell ..... 439/884 X
- D207,488 S \* 4/1967 Reynolds ..... D13/149
- 4,030,804 A \* 6/1977 Enomoto ..... 439/884
- 5,254,021 A \* 10/1993 Yamamoto et al. .... 439/877 X
- 5,475,922 A \* 12/1995 Tamura et al. .... 29/881
- 5,591,054 A \* 1/1997 Okada et al. .... 439/884
- 5,716,246 A \* 2/1998 Kerckhof et al. .... 439/884
- 5,795,197 A \* 8/1998 Tsuji et al. .... 439/884
- 5,989,079 A \* 11/1999 Seko et al. .... 439/884

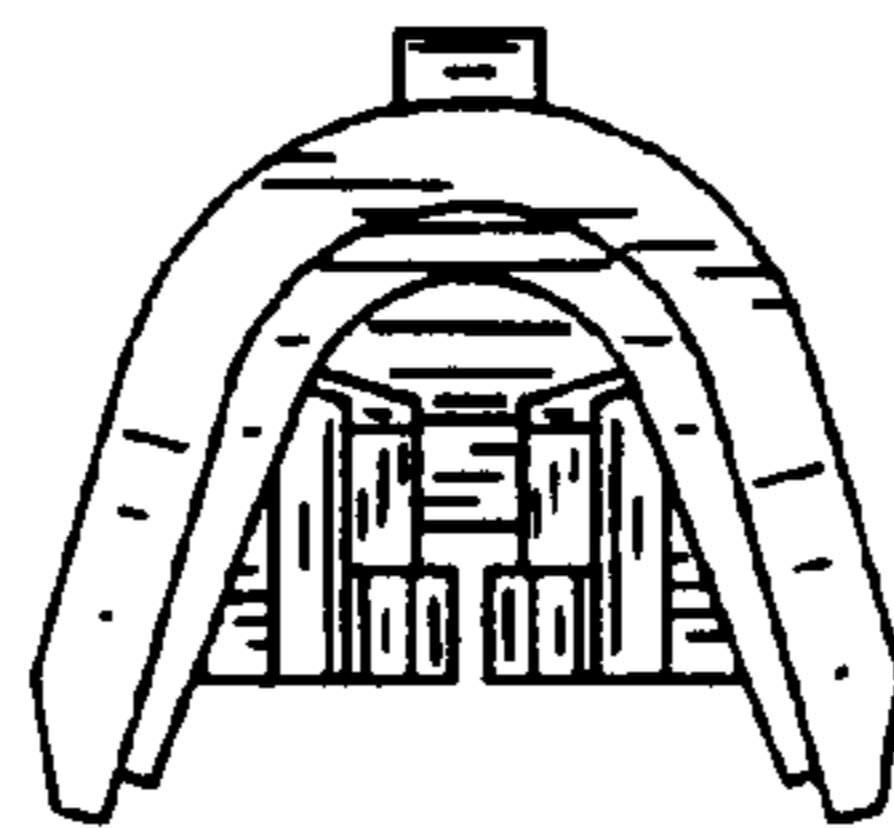
**1 Claim, 3 Drawing Sheets**



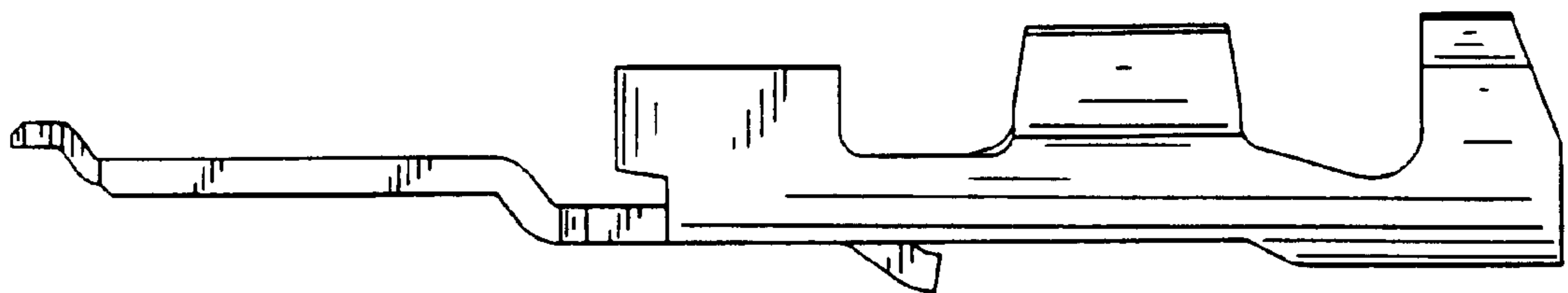
**FIG. 1**

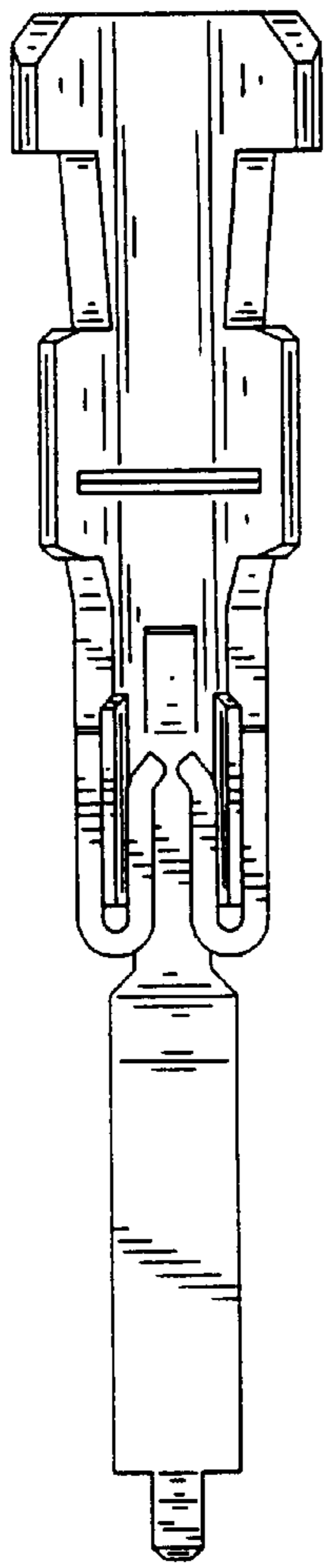


**FIG. 2**

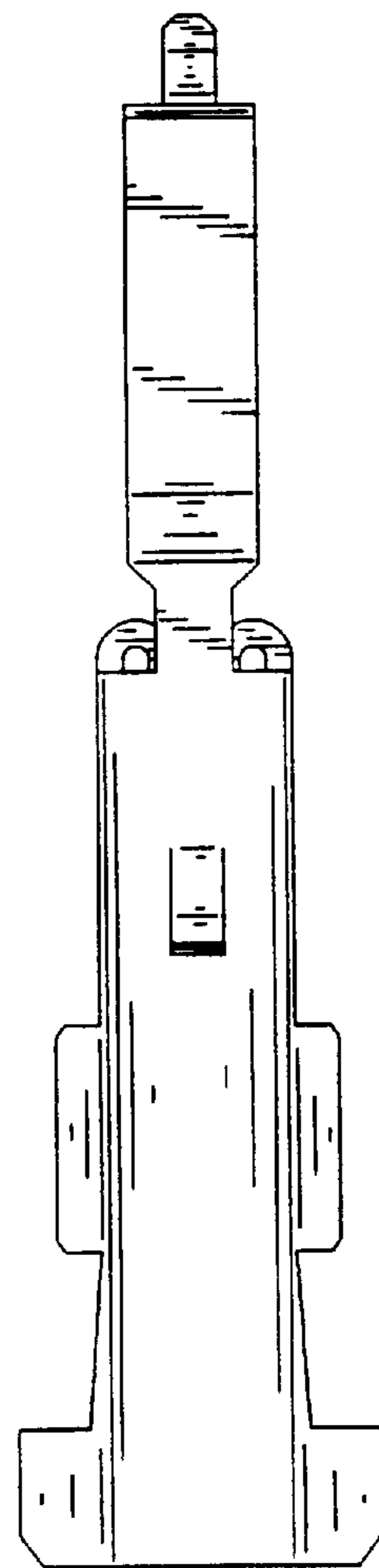


**FIG. 3**

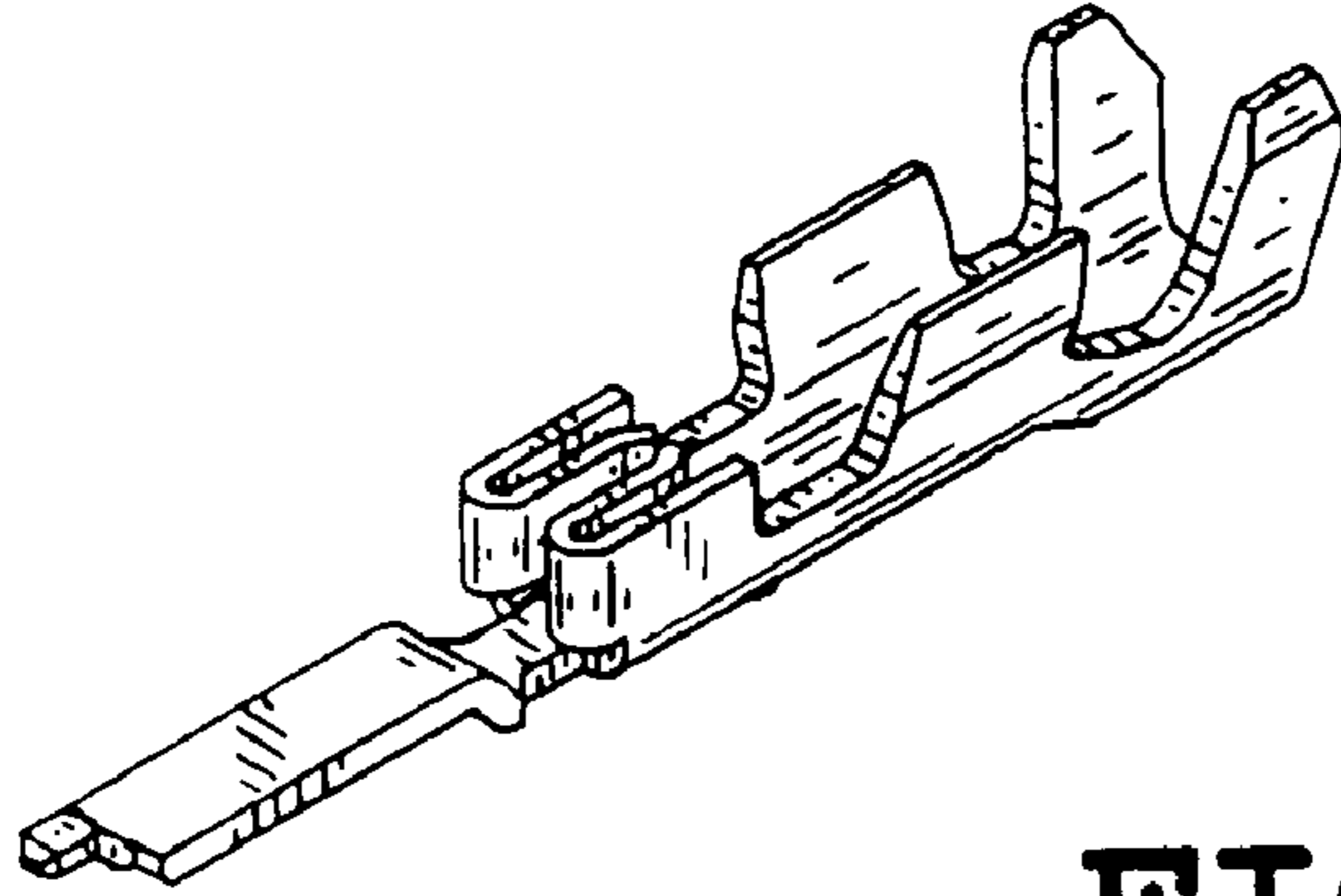




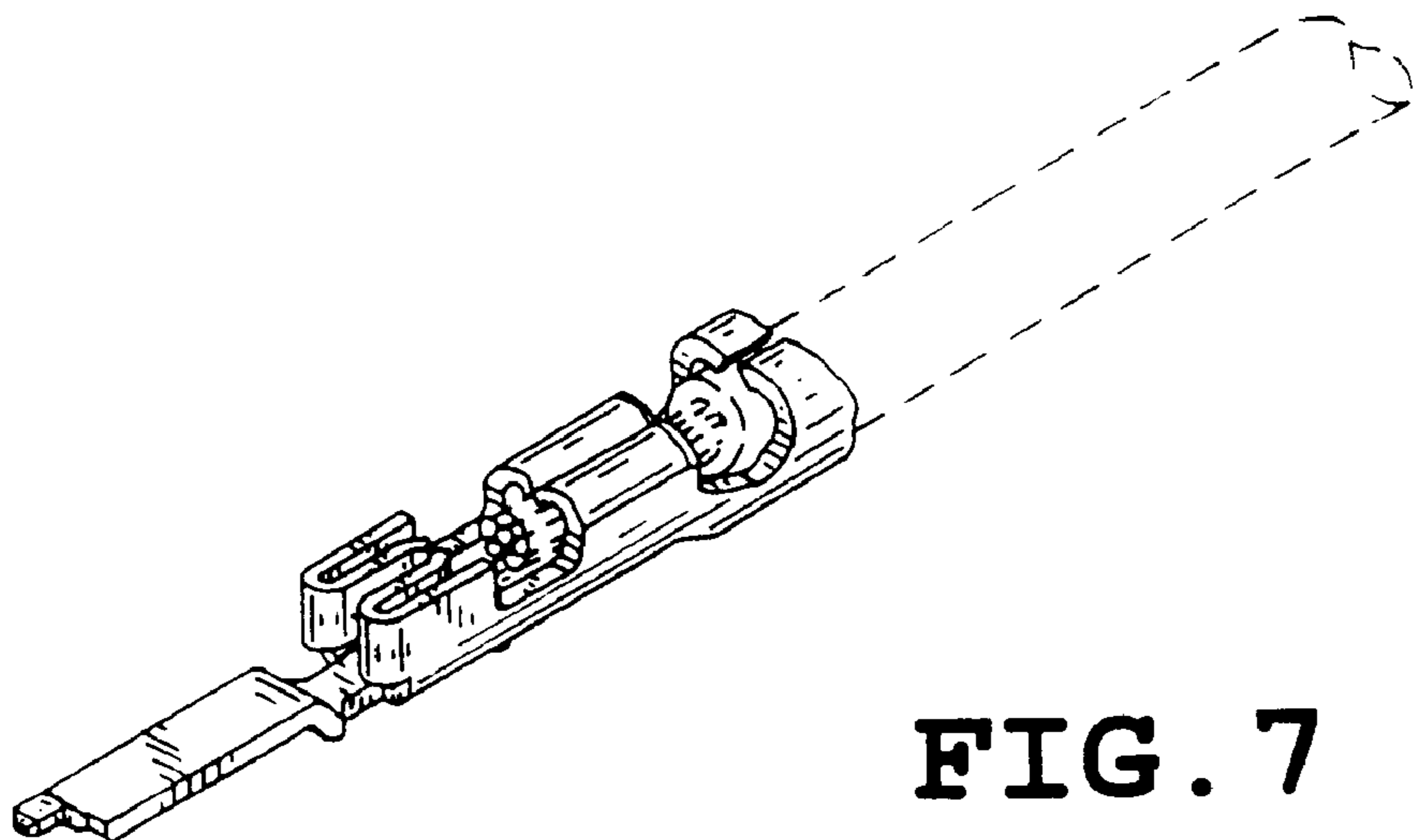
**FIG. 4**



**FIG. 5**



**FIG. 6**



**FIG. 7**