



US00D454540S

(12) **United States Design Patent**
Sifter et al.

(10) **Patent No.:** **US D454,540 S**
(45) **Date of Patent:** **** Mar. 19, 2002**

(54) **CDMA RF ISOLATION BOX FOR NETWORK OPTIMIZATION**

(75) Inventors: **Craig Christopher Sifter**, Hinsdale;
Russell J. Schweizer, Crystal Lake,
both of IL (US)

(73) Assignee: **Ameritech Corporation**, Hoffman
Estates, IL (US)

(**) Term: **14 Years**

(21) Appl. No.: **29/114,357**

(22) Filed: **Nov. 22, 1999**

(51) **LOC (7) Cl.** **13-02**

(52) **U.S. Cl.** **D13/123**

(58) **Field of Search** D13/123, 184;
D14/299; D9/443, 504; 206/701, 719; 220/324,
772; 312/902

(56) **References Cited**

U.S. PATENT DOCUMENTS

D203,826 S	*	2/1966	Allen, Jr. et al.	D13/184 X
D211,948 S	*	8/1968	Worrall	D13/184
4,155,452 A	*	5/1979	Wettermann et al.	206/512
4,827,567 A	*	5/1989	Beach	16/114 R
5,215,476 A	*	6/1993	Rector	439/311
5,588,531 A	*	12/1996	Yoshida et al.	206/454
5,845,978 A	*	12/1998	Jung	312/244
5,881,973 A	*	3/1999	Agajanian et al.	244/129.5

* cited by examiner

Primary Examiner—Joel Sincavage

(74) *Attorney, Agent, or Firm*—Brinks Hofer Gilson &
Lione

(57) **CLAIM**

The ornamental design for a CDMA RF isolation box for network optimization, as shown and described.

DESCRIPTION

FIG. 1 is a front elevational view of the main member of the RF isolation box for network optimization with the cover member removed;

FIG. 2 is a right side elevational view thereof;

FIG. 3 is a bottom plan view thereof;

FIG. 4 is a bottom plan view of the cover member of the isolation box with the two latches in the open position;

FIG. 5 is a top plan view of the main member of the isolation box with the cover member removed;

FIG. 6 is a top plan view of the cover member of the isolation box showing the two latches in the closed position with the main member removed;

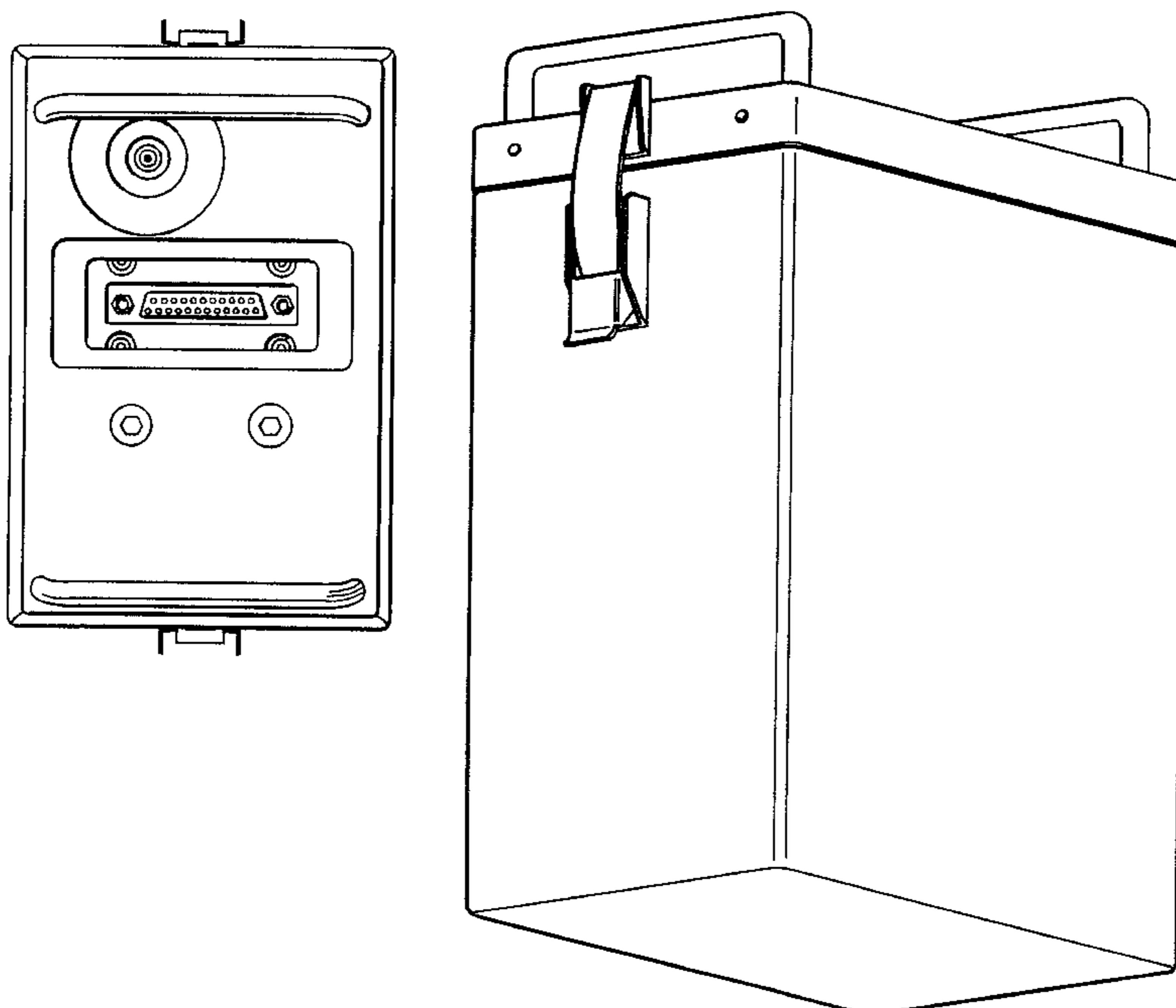
FIG. 7 is a bottom, right, front perspective view of the main member of the isolation box with the cover member removed; and,

FIG. 8 is a bottom, right, front perspective view of the isolation box with the cover member and main member attached.

The broken lines throughout the drawing figures are included for the purpose of illustrating environmental structure only and form no part of the claimed design.

The claimed design is embodied in the collective appearance of the main member and the cover member. The members are shown separately to disclose aspects of the design that are not apparent when they are assembled.

1 Claim, 6 Drawing Sheets



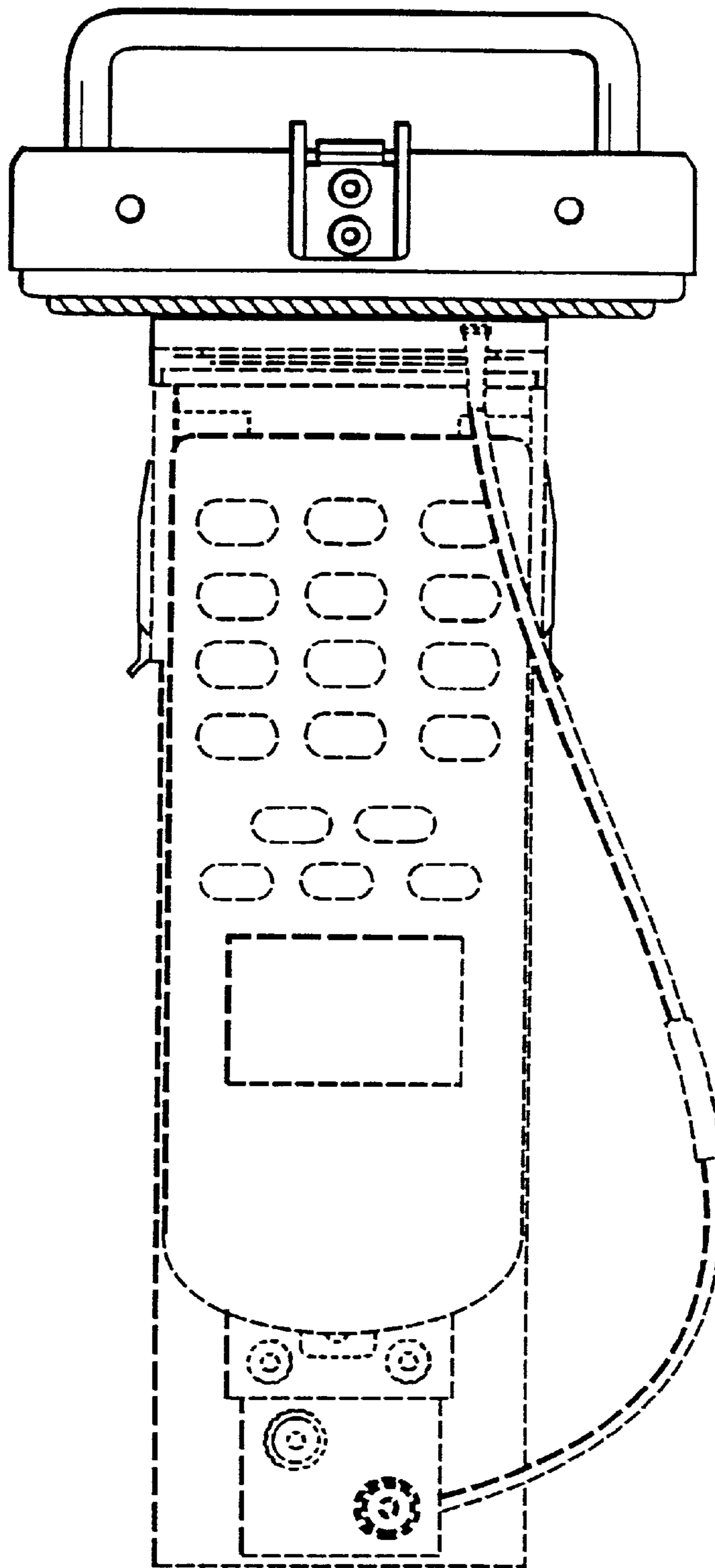


Fig. 1

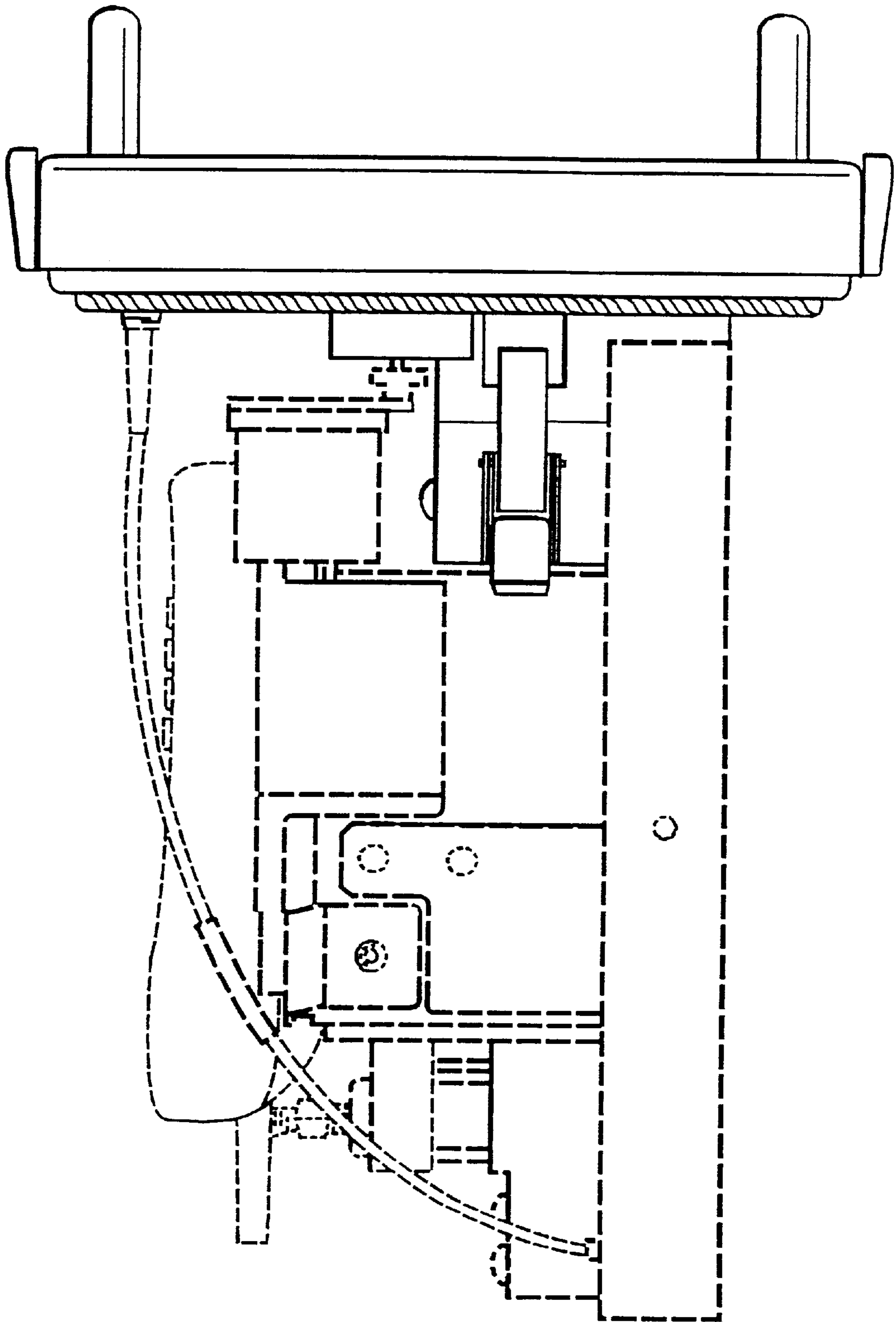


Fig. 2

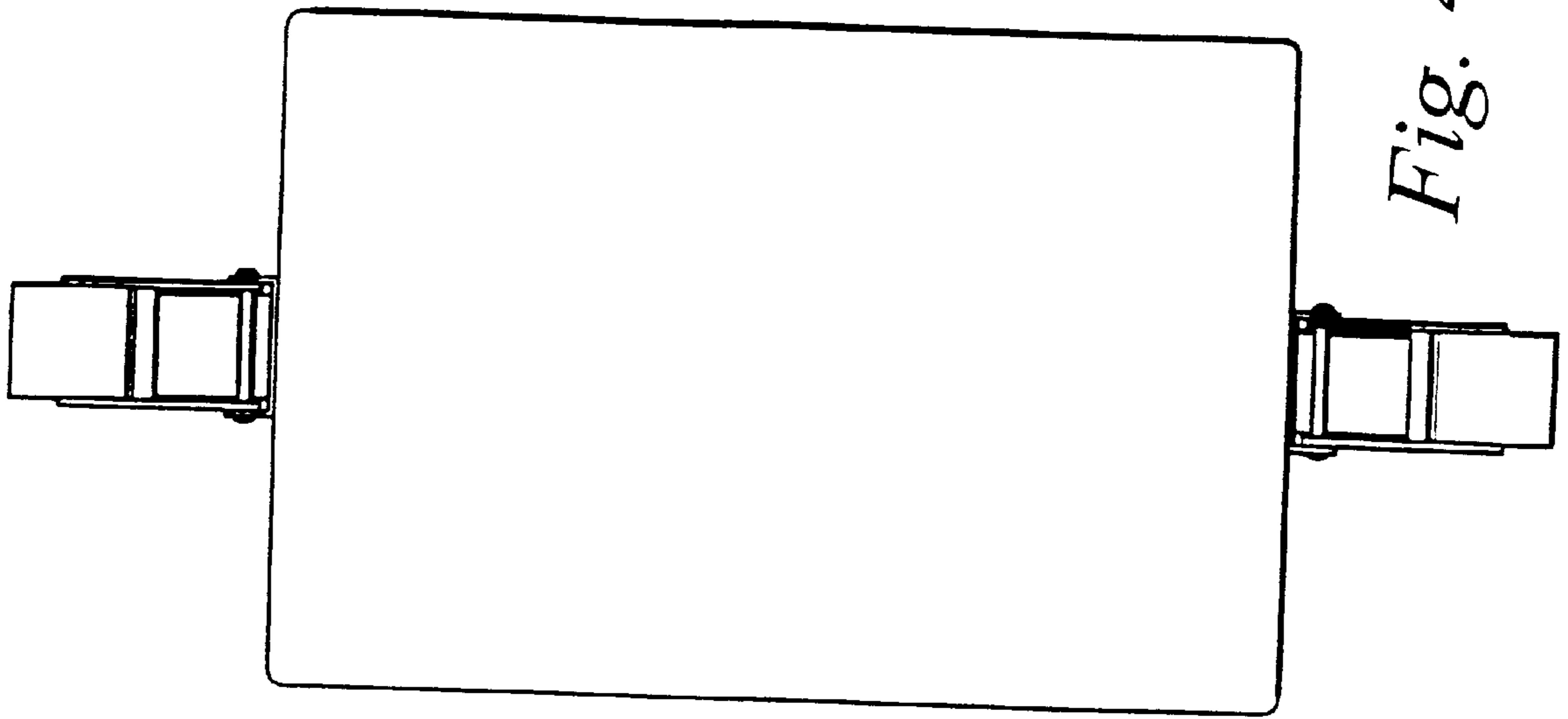


Fig. 4

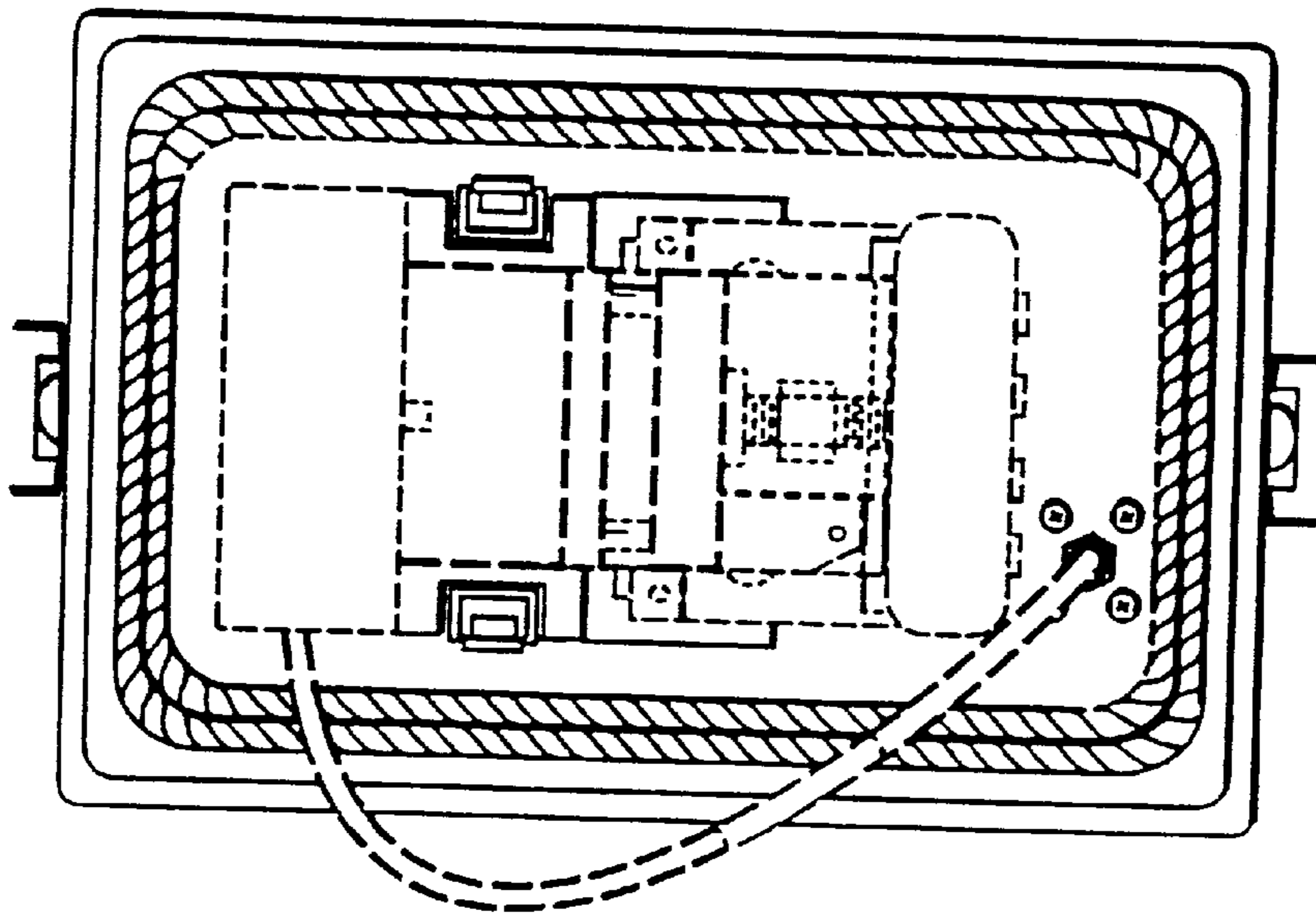


Fig. 3

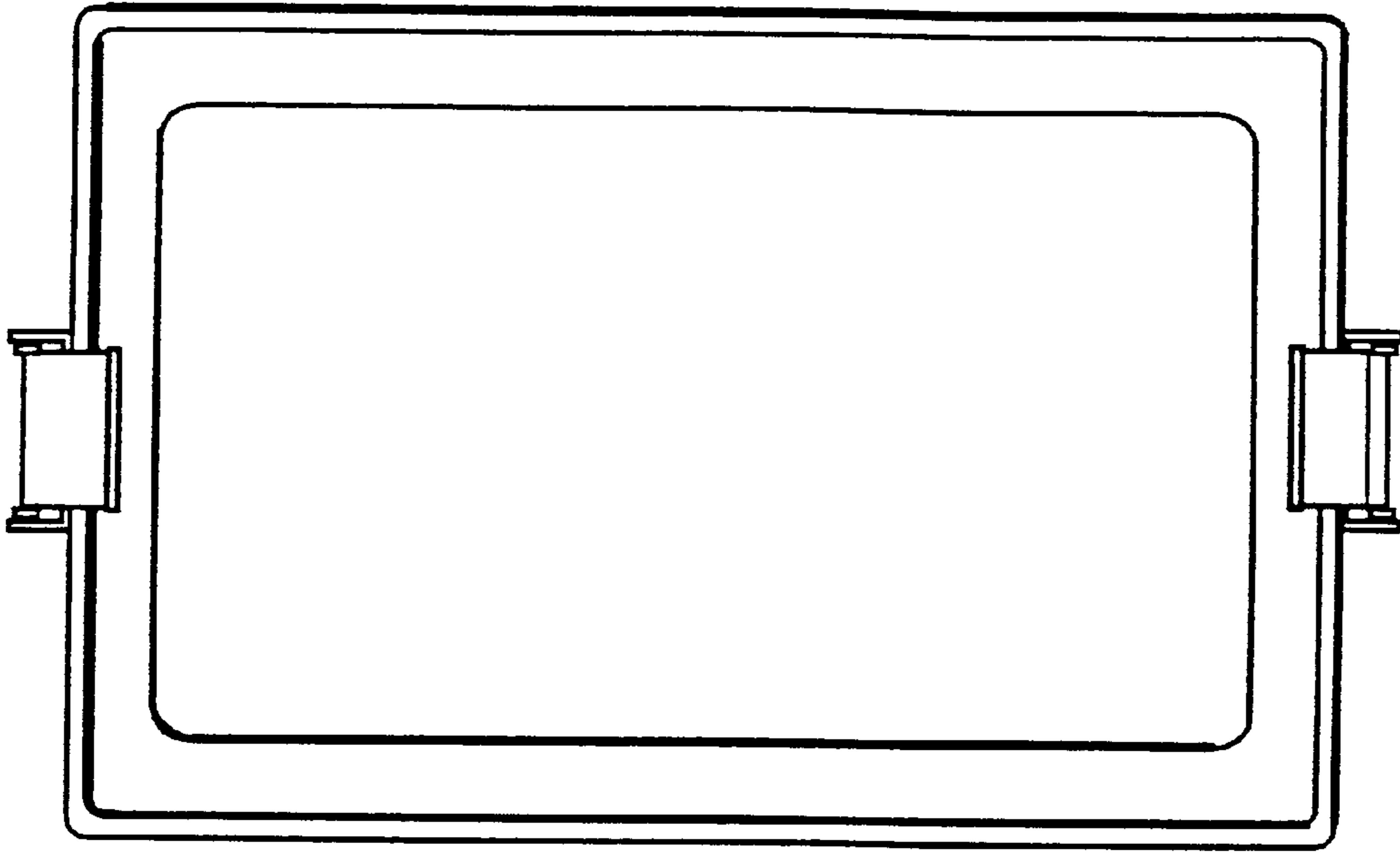


Fig. 6

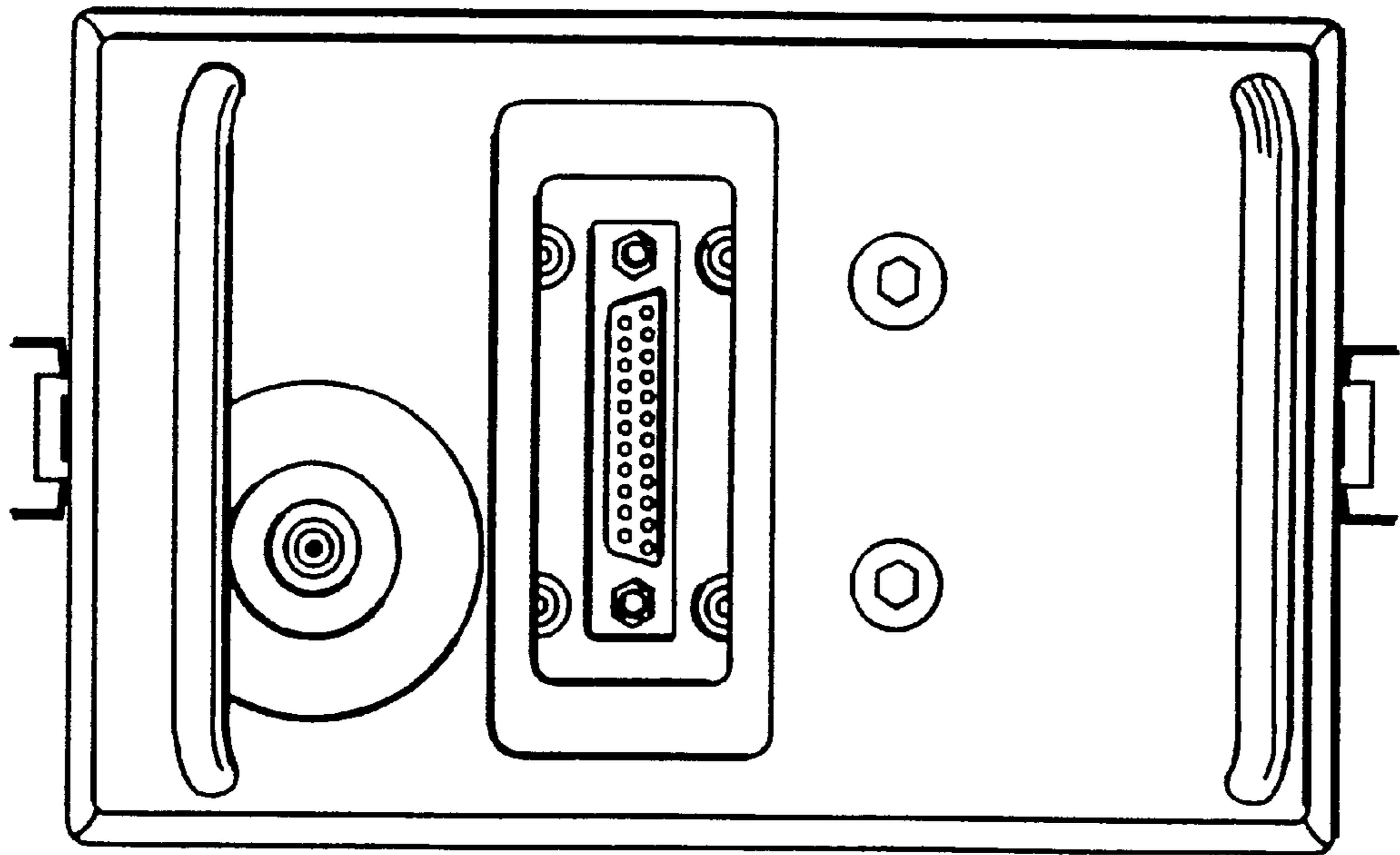


Fig. 5

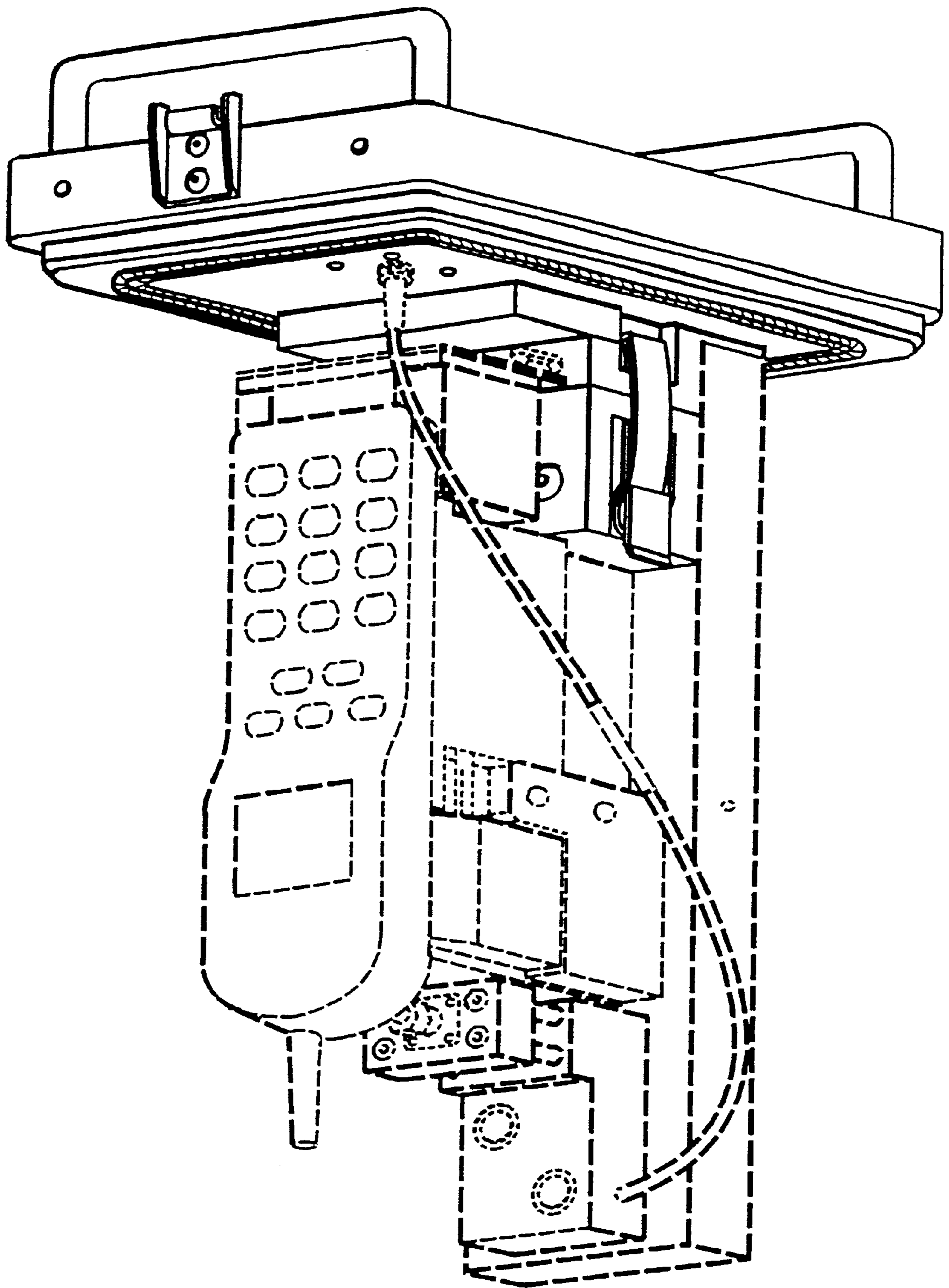


Fig. 7

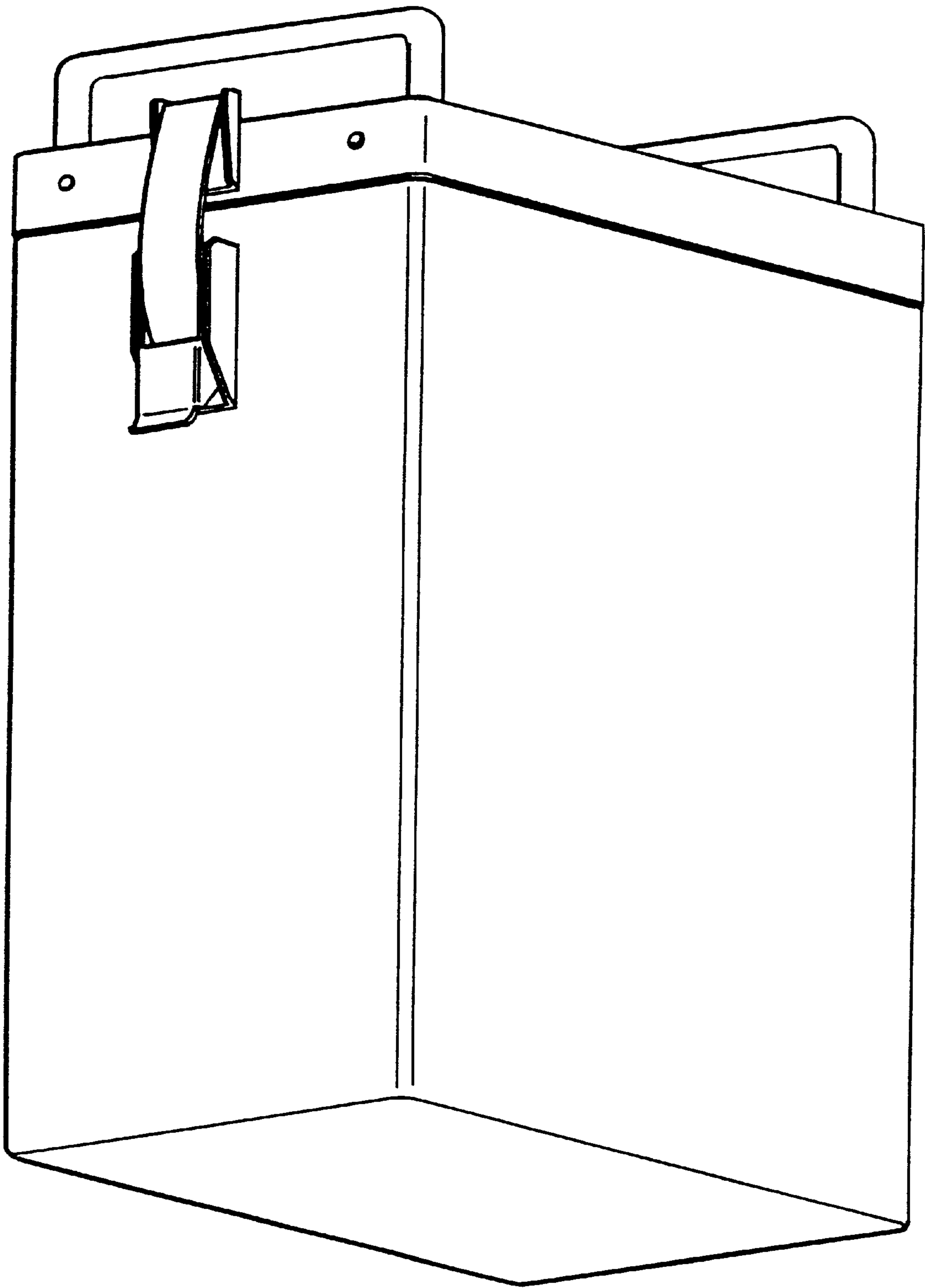


Fig. 8