



US00D454539S

(12) **United States Design Patent**
Poag

(10) **Patent No.:** **US D454,539 S**

(45) **Date of Patent:** **** Mar. 19, 2002**

(54) **ELECTRIC MOTOR COOLING JACKET ASSEMBLY**

(75) **Inventor:** **Andrew F. Poag**, St. Louis, MO (US)

(73) **Assignee:** **Emerson Electric Co.**, St. Louis, MO (US)

(**) **Term:** **14 Years**

(21) **Appl. No.:** **29/112,504**

(22) **Filed:** **Oct. 18, 1999**

(51) **LOC (7) Cl.** **13-01**

(52) **U.S. Cl.** **D13/122**

(58) **Field of Search** D13/112-114,
D13/122; 310/52-65

(56) **References Cited**

U.S. PATENT DOCUMENTS

3,963,950	A	*	6/1976	Watanabe et al.	310/54
D245,498	S		8/1977	Andreas		
D304,169	S		10/1989	Hoshino et al.		
D306,009	S		2/1990	Mintz et al.		
5,084,642	A	*	1/1992	Katsuzawa et al.	310/54
5,585,681	A		12/1996	Bitsche		
5,616,973	A	*	4/1997	Khazanov et al.	310/54
5,731,643	A	*	3/1998	Avakian et al.	310/53
5,773,903	A	*	6/1998	McCabria et al.	310/54
5,859,482	A		1/1999	Crowell et al.		

5,880,547	A	*	3/1999	Shoykhet	310/91
5,939,807	A	*	8/1999	Patyk et al.	310/89
5,939,808	A	*	8/1999	Adames	310/89
6,087,744	A	*	7/2000	Glauning	310/58
6,129,477	A	*	10/2000	Shoykhet	403/267

* cited by examiner

Primary Examiner—Joel Sincavage

(74) *Attorney, Agent, or Firm*—Senniger, Powers, Leavitt & Roedel

(57) **CLAIM**

The ornamental design for an electric motor cooling jacket assembly, as shown and described.

DESCRIPTION

FIG. 1 is a perspective view of an electric motor cooling jacket assembly incorporating the design of the present invention;

FIG. 2 is a front elevational view of the assembly;

FIG. 3 is a rear elevational view of the assembly.

FIG. 4 is a right side elevational view of the assembly;

FIG. 5 is a left side elevational view of the assembly;

FIG. 6 is a top plan view of the assembly; and,

FIG. 7 is a bottom plan view of the assembly.

The broken lines shown in the drawings indicate structure and features which form no part of the design.

1 Claim, 5 Drawing Sheets

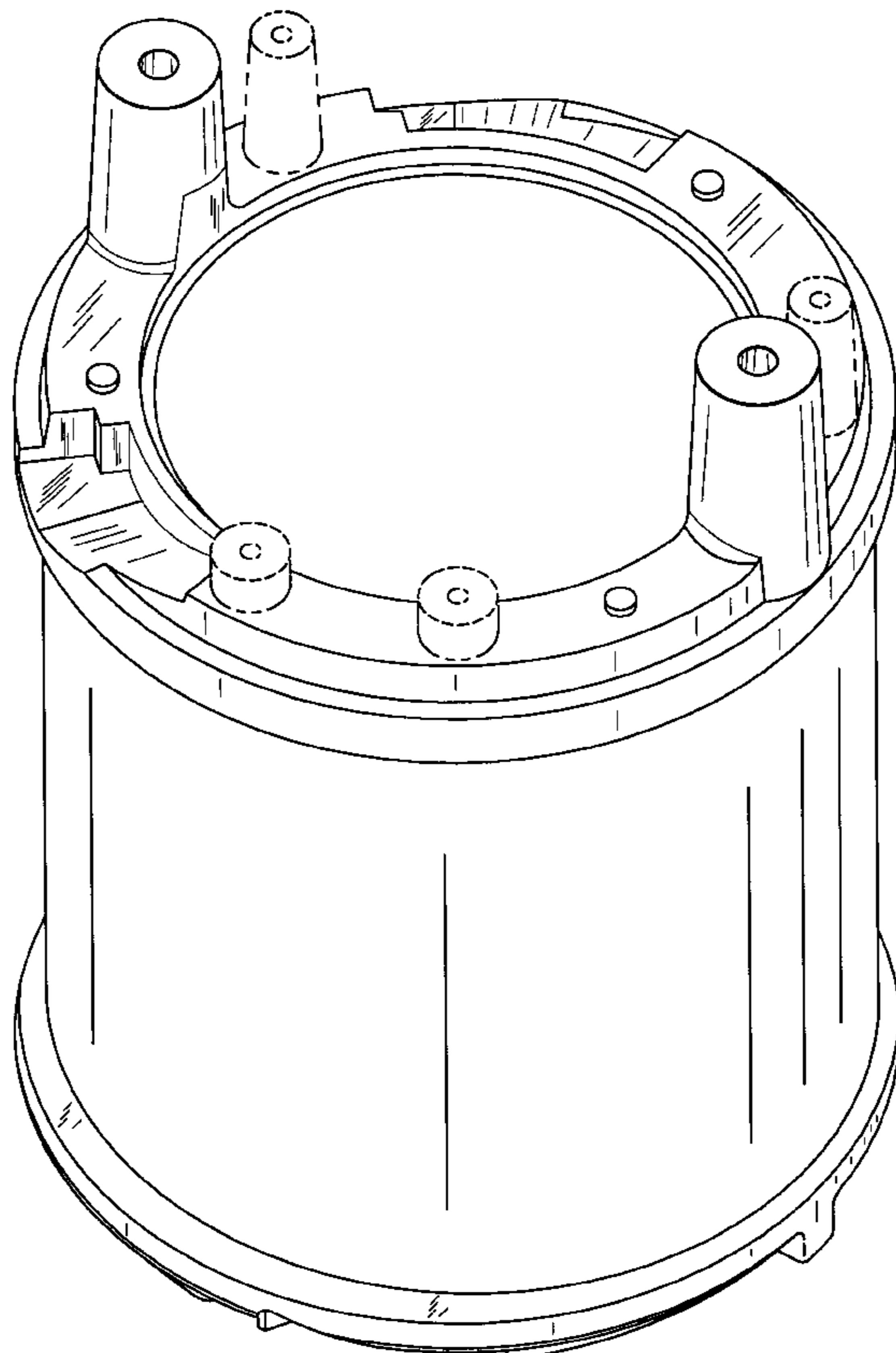


FIG. 1

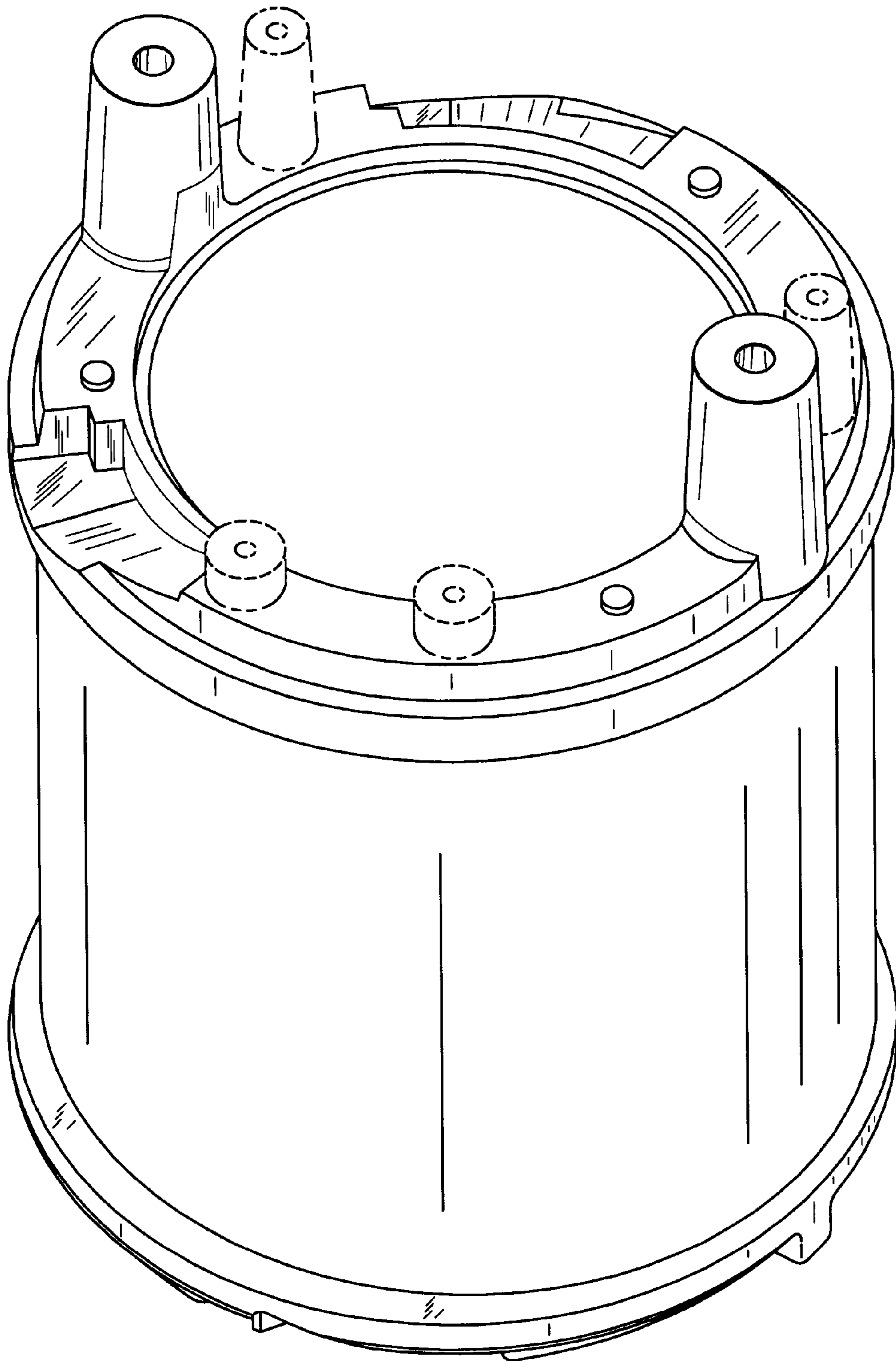


FIG. 3

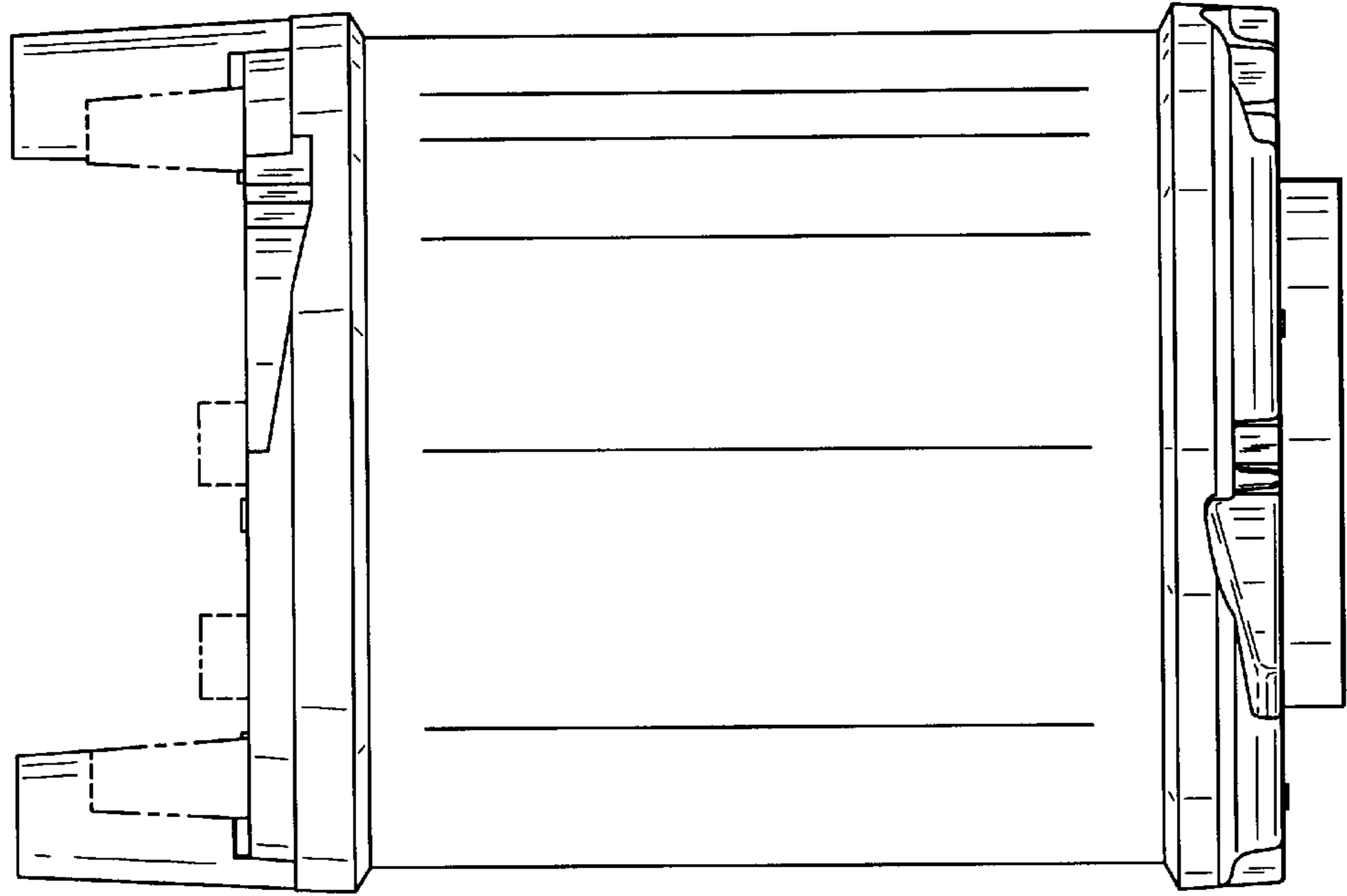


FIG. 2

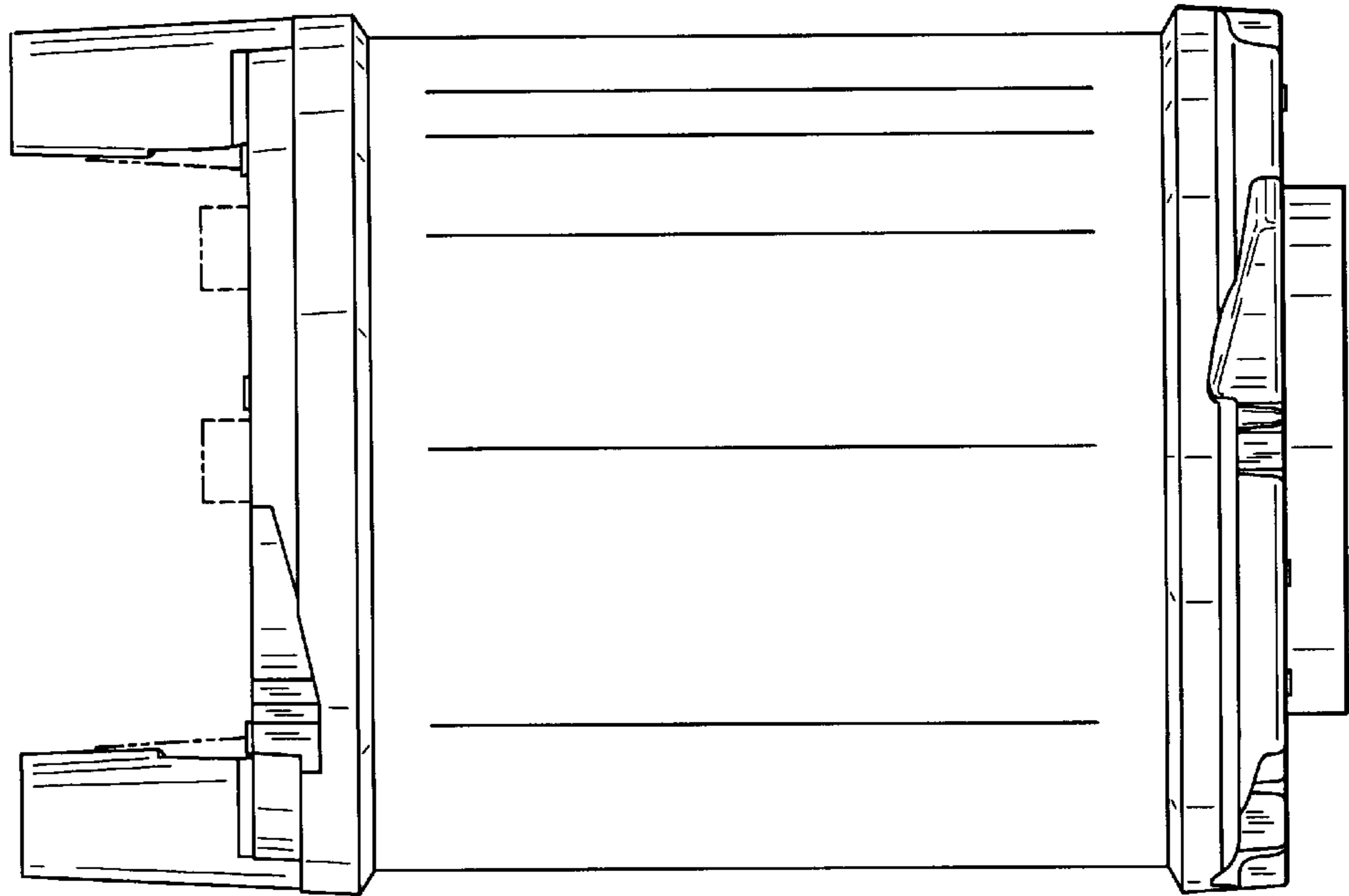


FIG. 5

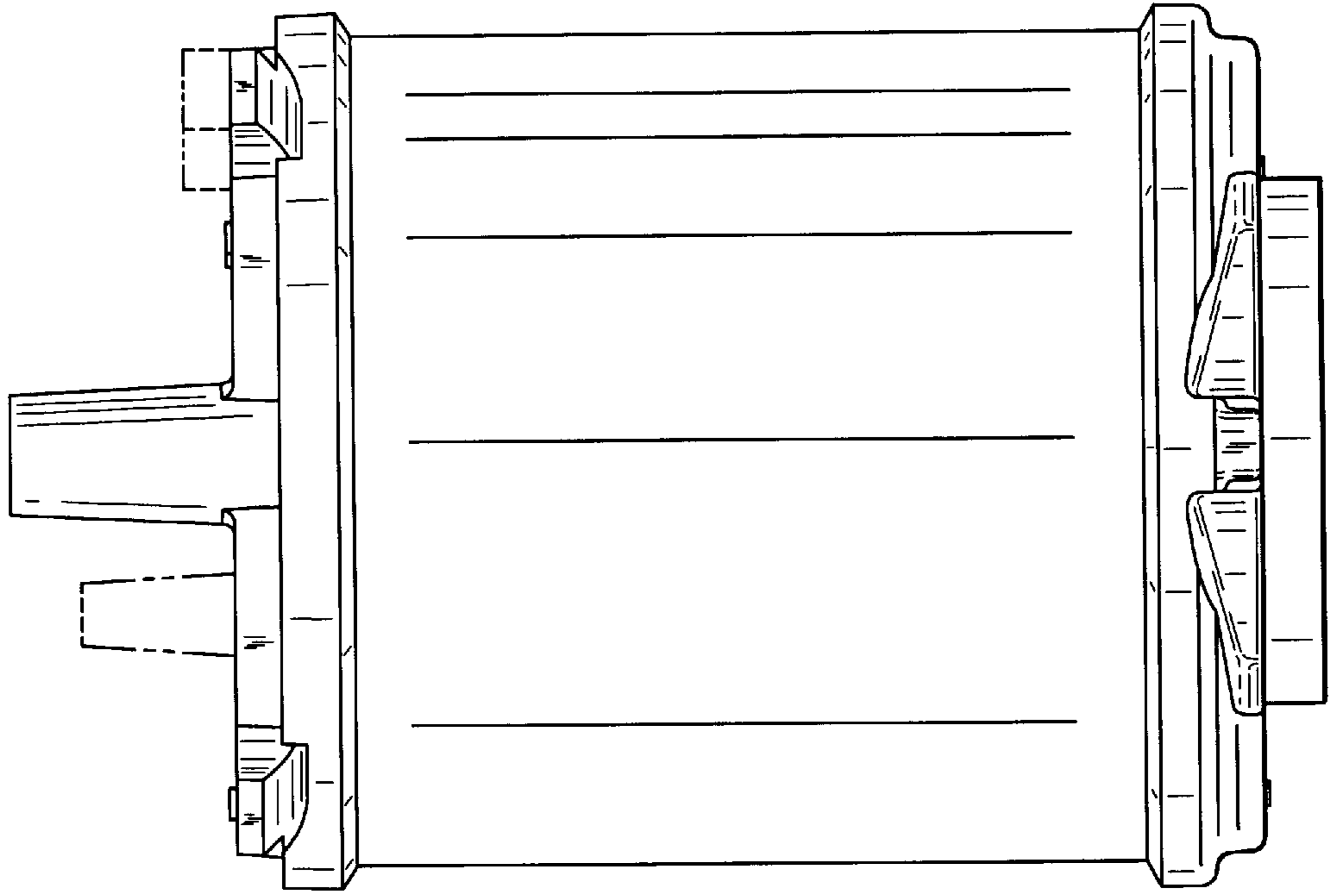


FIG. 4

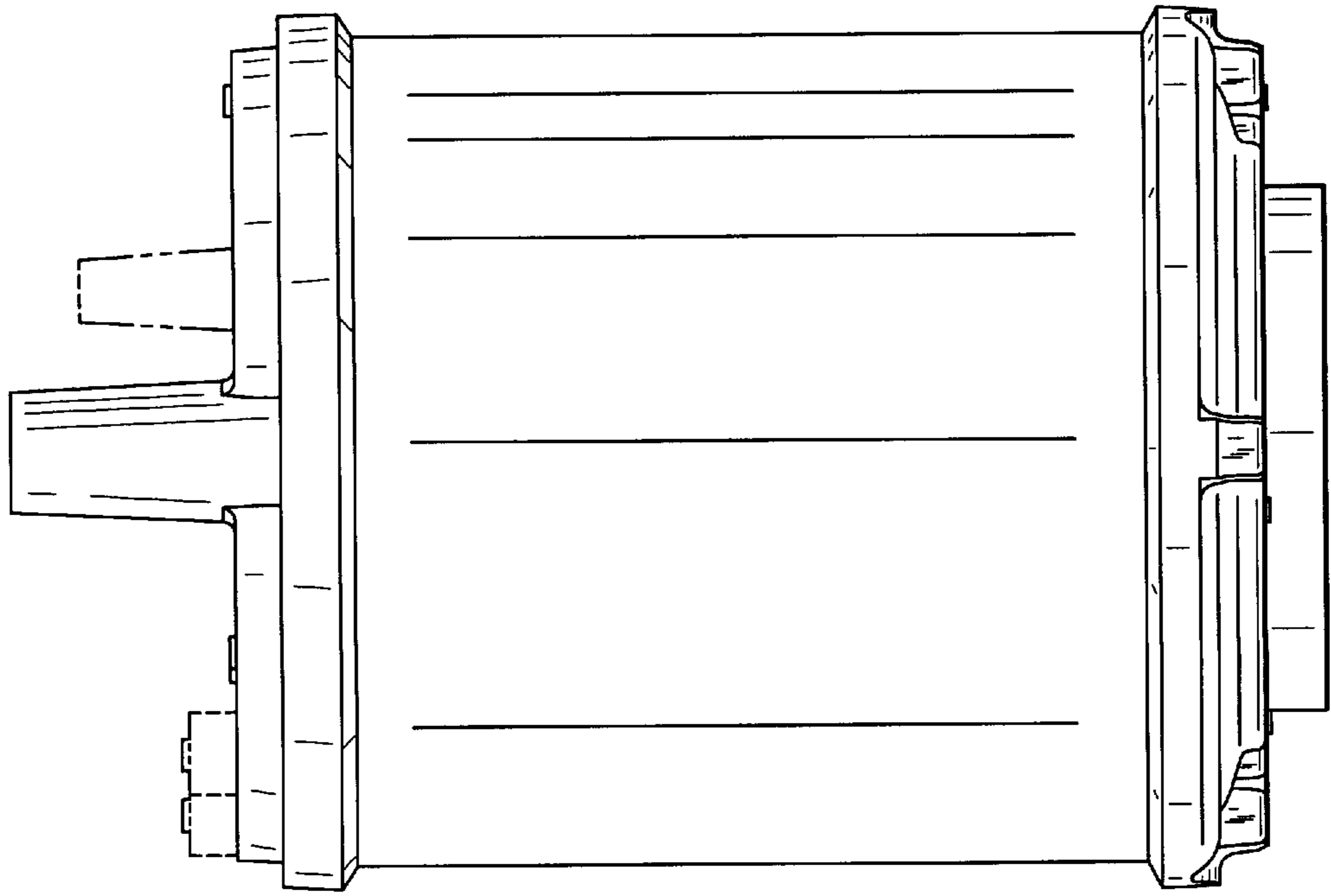


FIG. 6

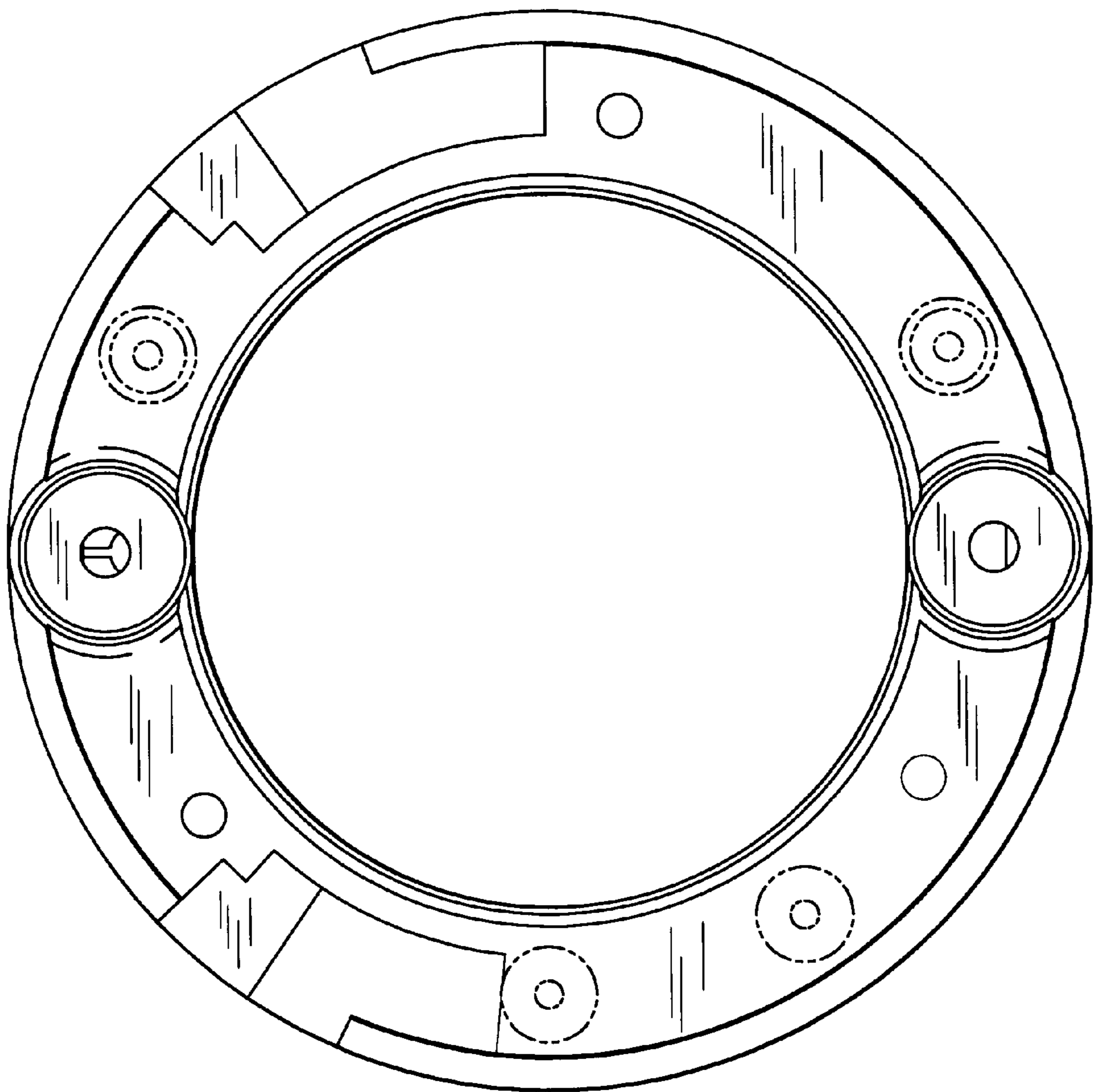
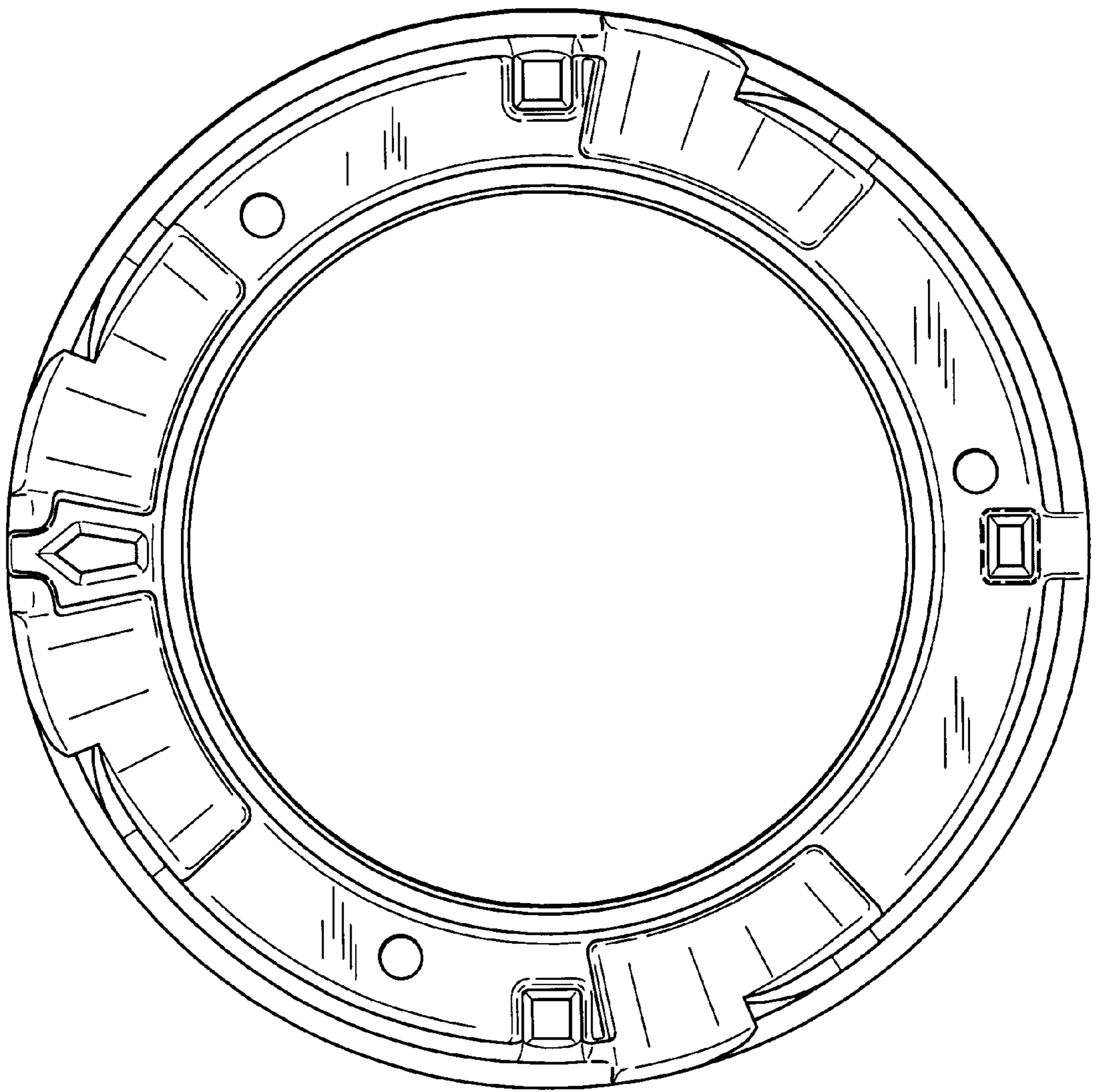


FIG. 7



UNITED STATES PATENT AND TRADEMARK OFFICE
CERTIFICATE OF CORRECTION

PATENT NO. : Des. 454,539 S
DATED : March 19, 2002
INVENTOR(S) : Andrew F. Poag

Page 1 of 1

It is certified that error appears in the above-identified patent and that said Letters Patent is hereby corrected as shown below:

Title page,

Item [63], **Related U.S. Application Data** should read -- Continuation-in-part of application Ser. No. 29/101,553, filed on March 5, 1999. --

Signed and Sealed this

Third Day of September, 2002

Attest:



Attesting Officer

JAMES E. ROGAN
Director of the United States Patent and Trademark Office