



US00D454533S

(12) **United States Design Patent**  
**Benson**

(10) **Patent No.:** **US D454,533 S**

(45) **Date of Patent:** **\*\* Mar. 19, 2002**

(54) **UNDER SEAT TOOLBOX**

(76) **Inventor:** **Dean E. Benson**, 1042 Flagstone, San Antonio, TX (US) 78258

(\*\*) **Term:** **14 Years**

(21) **Appl. No.:** **29/137,267**

(22) **Filed:** **Feb. 14, 2001**

(51) **LOC (7) Cl.** ..... **12-16**

(52) **U.S. Cl.** ..... **D12/425; D3/304**

(58) **Field of Search** ..... **D3/304-305, 315, D3/307-309; 220/570, 571, 573; D19/92, 75-77; 206/557, 566; D12/415, 425; 211/133.6, 126.1; D6/396, 510; 224/275, 539; 296/37.14, 37.15, 37.16**

3,815,799 A	6/1974	Trammell, Jr. ....	206/19.5 R
D247,866 S	* 5/1978	Sandoval .....	D6/510
D252,144 S	* 6/1979	Carmean .....	D12/425
D254,611 S	4/1980	Linato .....	D12/155
4,790,432 A	12/1988	Rees .....	206/315.11
4,927,200 A	5/1990	Wilkins .....	296/37.8
D309,059 S	7/1990	Bledsoe .....	D3/40
D311,292 S	* 10/1990	Ennis, Jr. ....	D6/510
5,039,155 A	8/1991	Suman et al. ....	296/65.1
5,065,920 A	11/1991	Amner .....	224/275
5,096,249 A	3/1992	Hines .....	296/37.15
5,249,724 A	* 10/1993	Green .....	224/275
5,816,650 A	10/1998	Lucas, Jr. ....	297/188.1
5,895,086 A	4/1999	Carico .....	296/37.6
5,902,009 A	5/1999	Singh et al. ....	297/188.1
5,957,521 A	9/1999	Schlachter .....	296/37.15
5,967,602 A	10/1999	Ptak et al. ....	297/188.11
D427,800 S	* 7/2000	Dornbierer .....	D6/396

\* cited by examiner

(56) **References Cited**

**U.S. PATENT DOCUMENTS**

601,744 A	4/1898	Wells et al.	
1,237,750 A	8/1917	Chappell	
1,398,884 A	11/1921	Aills	
1,412,680 A	4/1922	Fuller	
1,502,180 A	7/1924	Dever, Jr.	
1,600,977 A	9/1926	Dameron	
1,631,811 A	6/1927	Guenther	
1,897,717 A	2/1933	Appel	
1,947,055 A	* 2/1934	Moorman .....	D3/307
2,210,347 A	8/1940	Story .....	206/19.5
2,828,059 A	* 3/1958	Ross .....	206/557
3,026,141 A	3/1962	Welles .....	297/192
3,082,863 A	3/1963	Oharenko .....	206/19.5
3,131,813 A	5/1964	Jensen .....	206/19.5
3,321,237 A	5/1967	Gangell .....	296/63
3,625,347 A	12/1971	Trammell, Jr. ....	206/19.5 R
3,756,652 A	9/1973	Trammell, Jr. ....	297/192
3,800,939 A	4/1974	Cornelius .....	206/19.5 R

*Primary Examiner*—Louis S. Zarfaz

*Assistant Examiner*—Deanne Levy

(74) *Attorney, Agent, or Firm*—Wayne J. Colton, Inc.

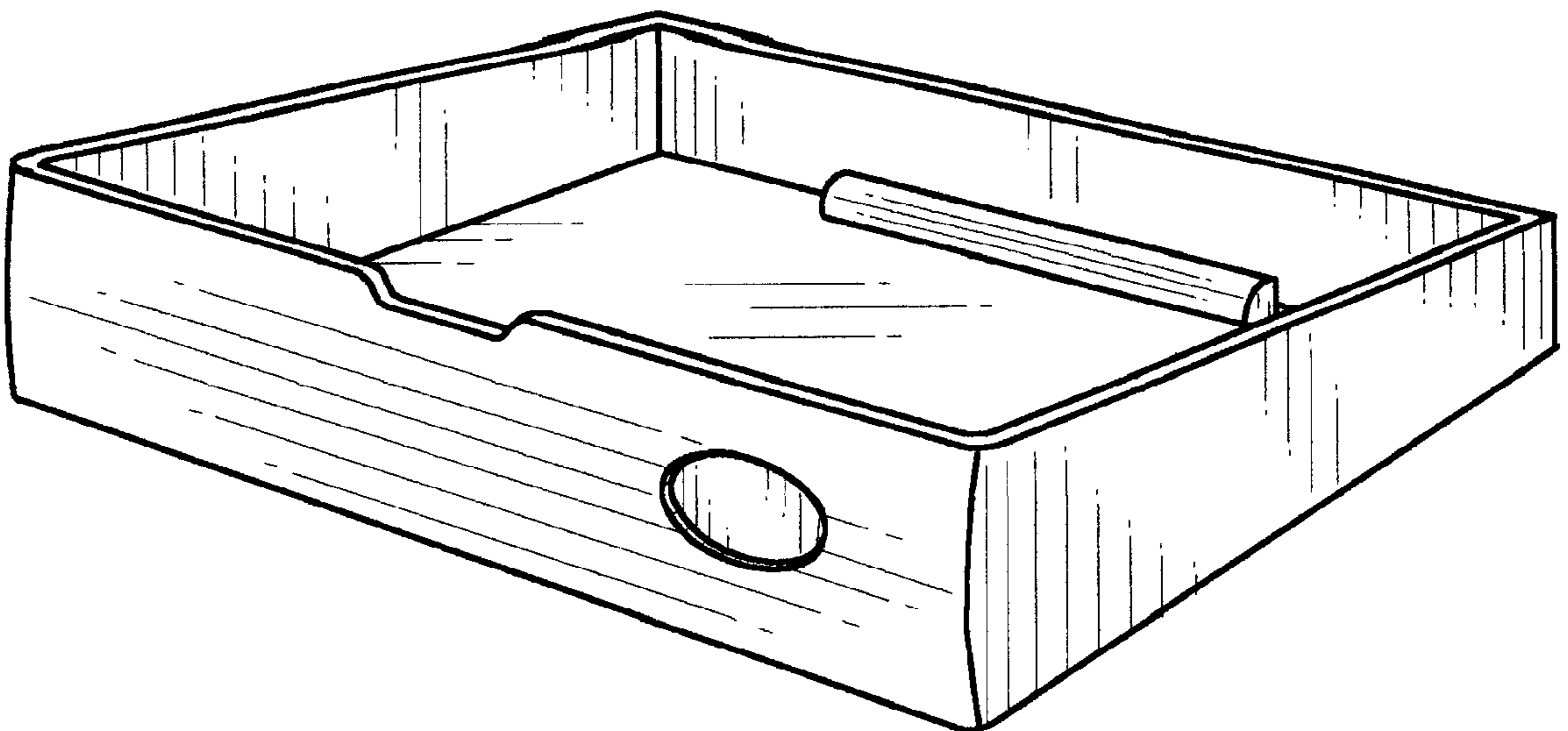
(57) **CLAIM**

The ornamental design for an under seat toolbox, as shown and described.

**DESCRIPTION**

FIG. 1 is a perspective view of the under seat toolbox, showing my new design;  
FIG. 2 is a top plan view thereof;  
FIG. 3 is a front elevational view thereof;  
FIG. 4 is a right side elevational view thereof;  
FIG. 5 is a rear elevational view thereof;  
FIG. 6 is a left side elevational view thereof; and,  
FIG. 7 is a bottom plan view thereof.

**1 Claim, 2 Drawing Sheets**



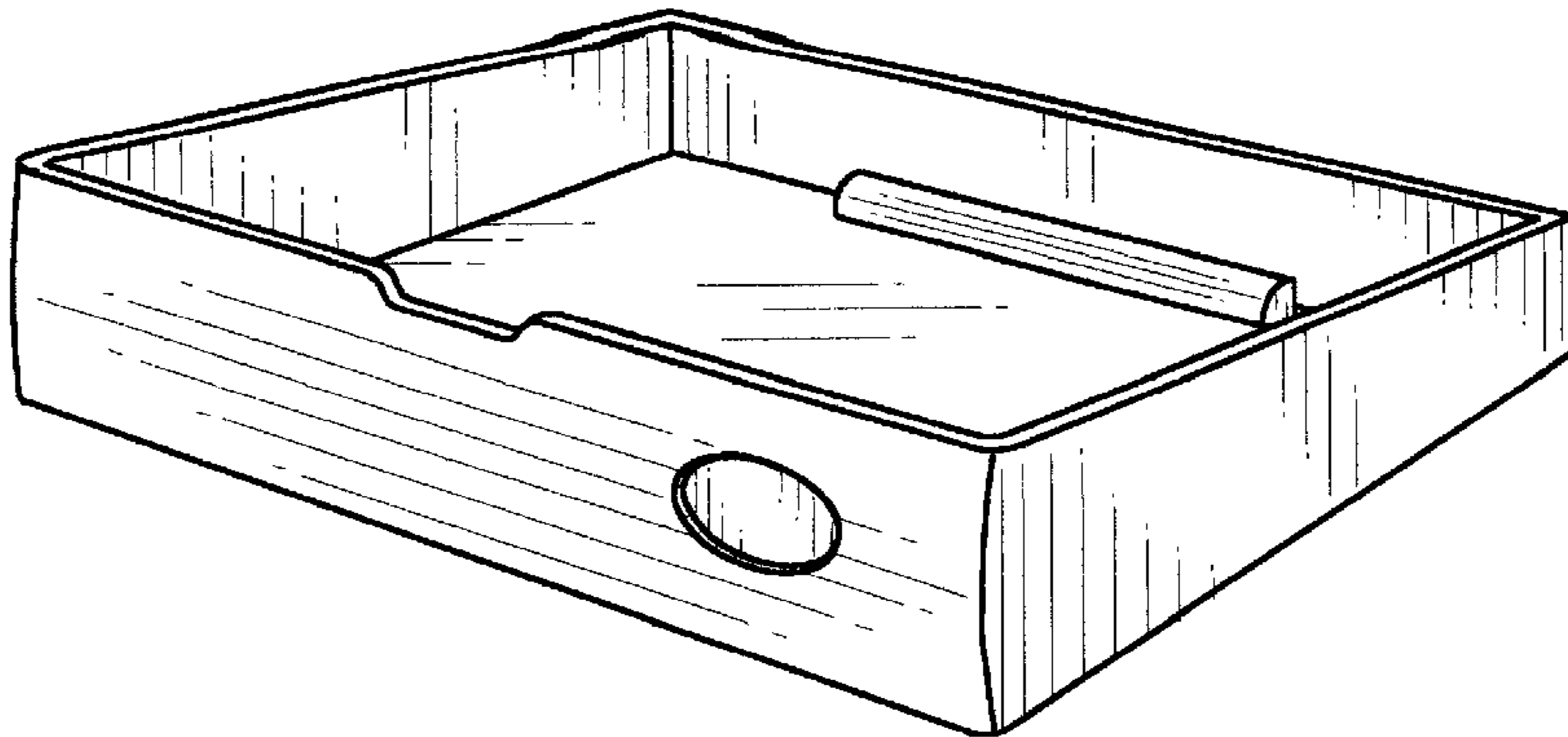


Fig. 1

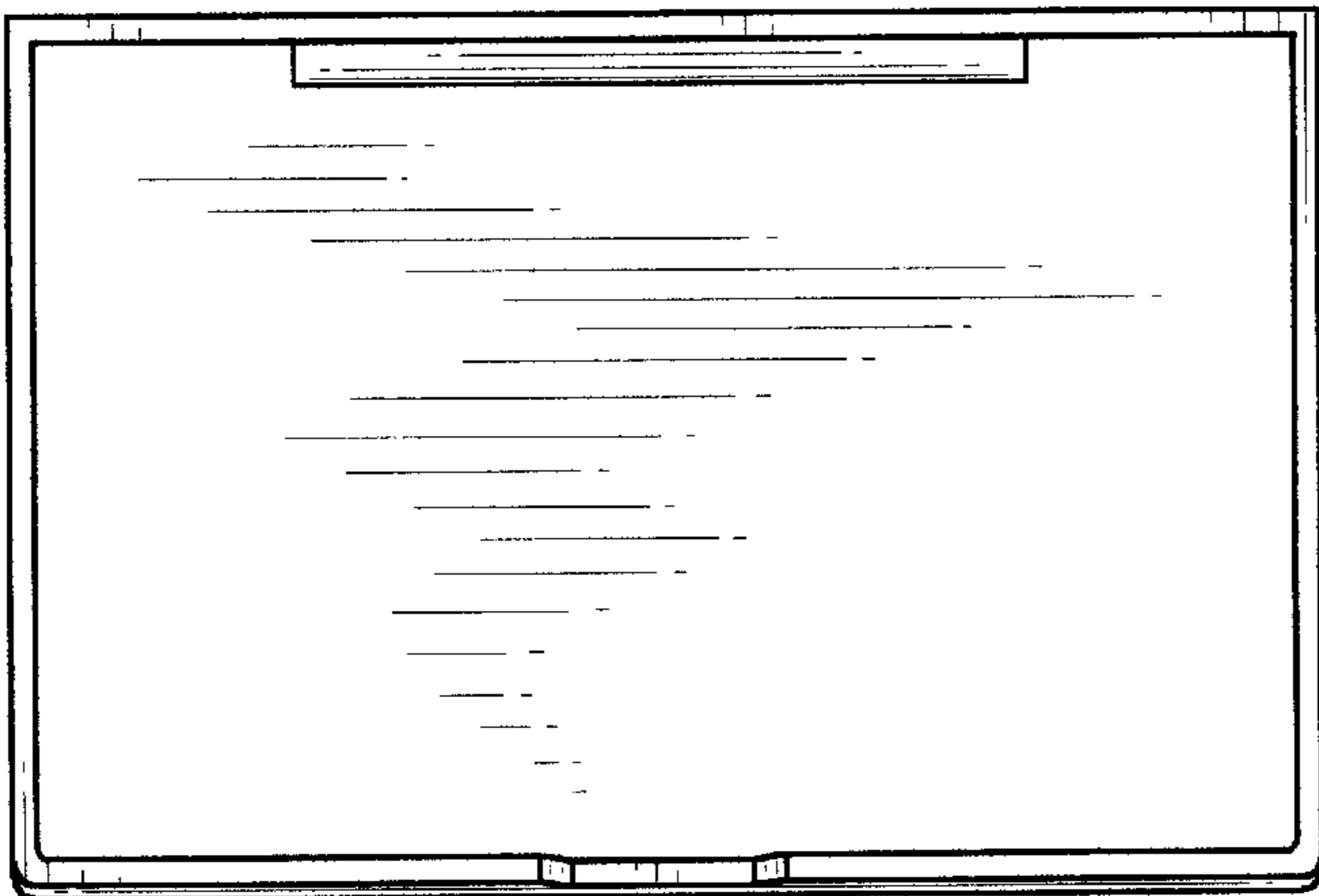


Fig. 2

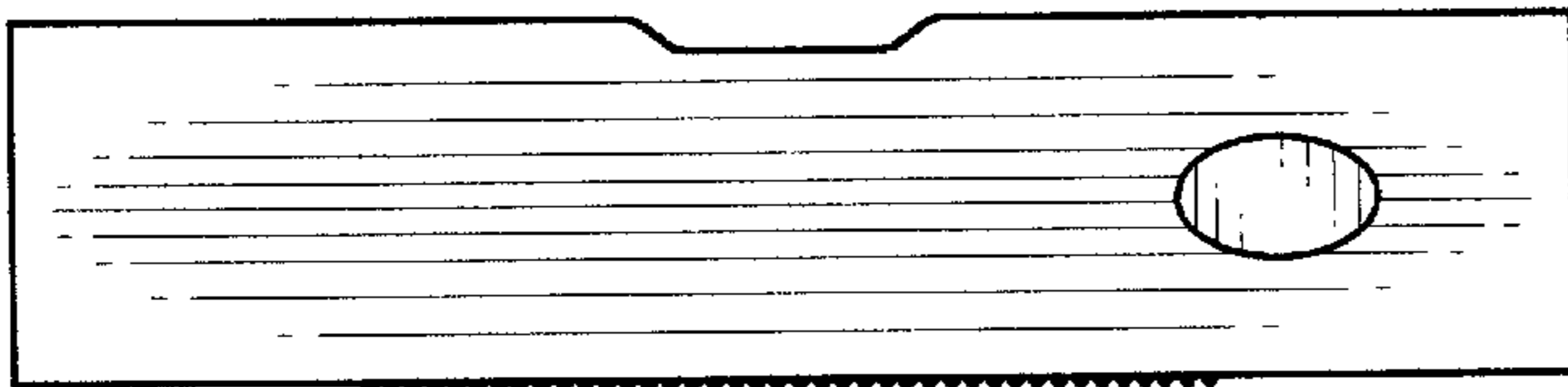


Fig. 3

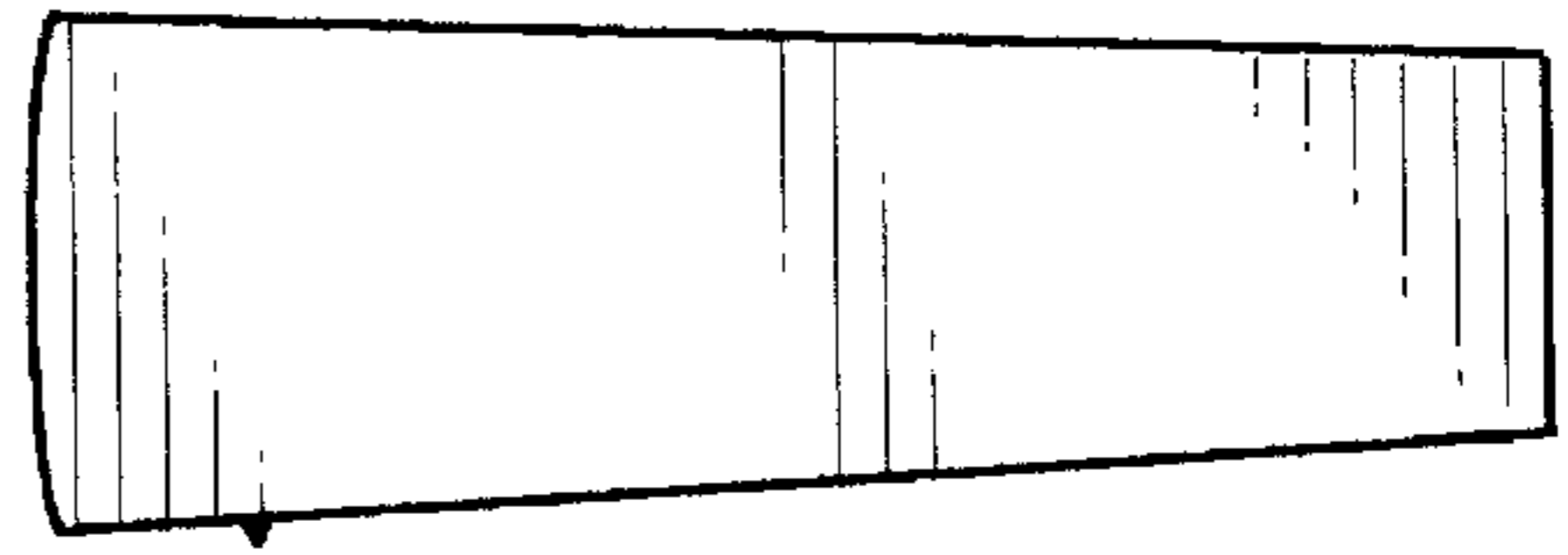


Fig. 4

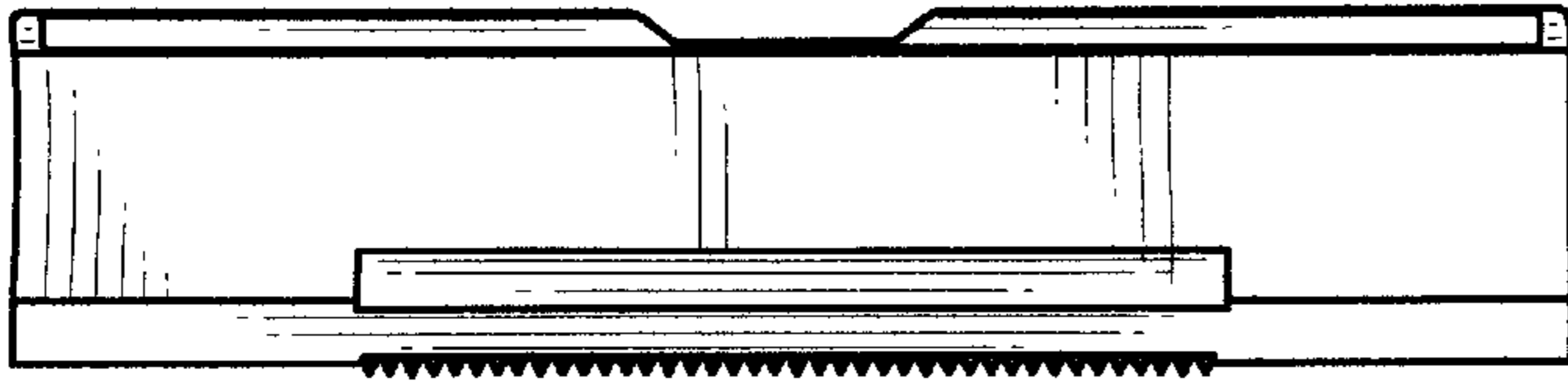


Fig. 5

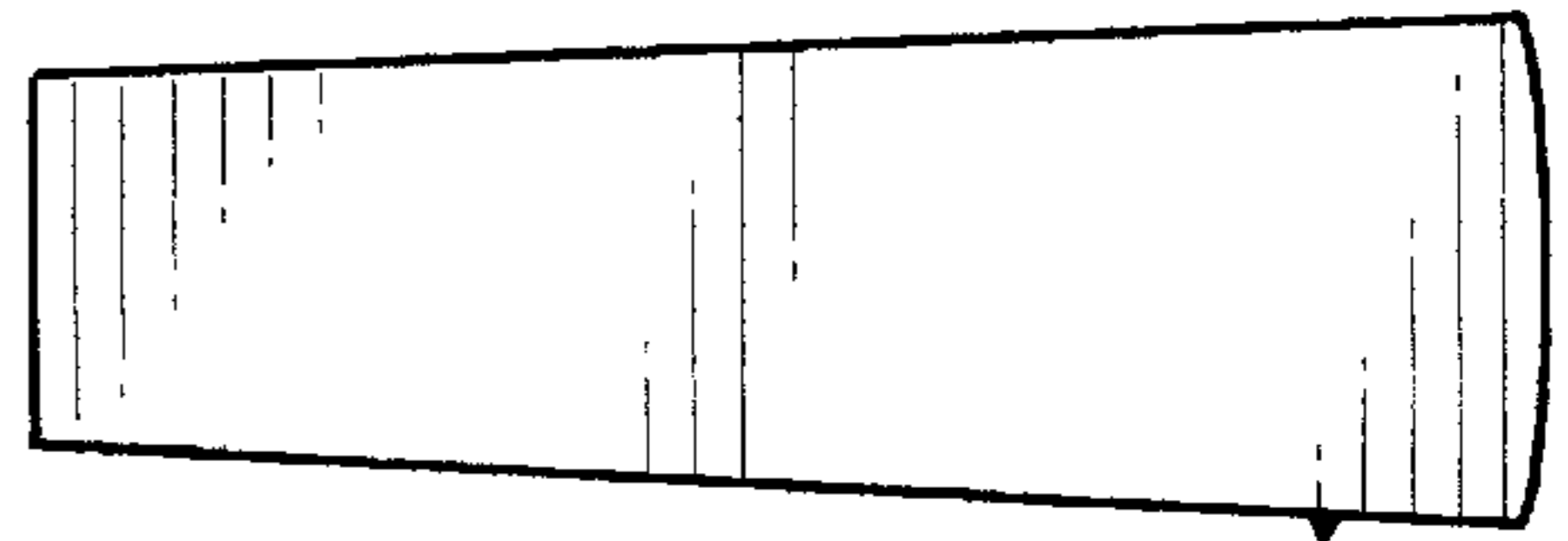


Fig. 6

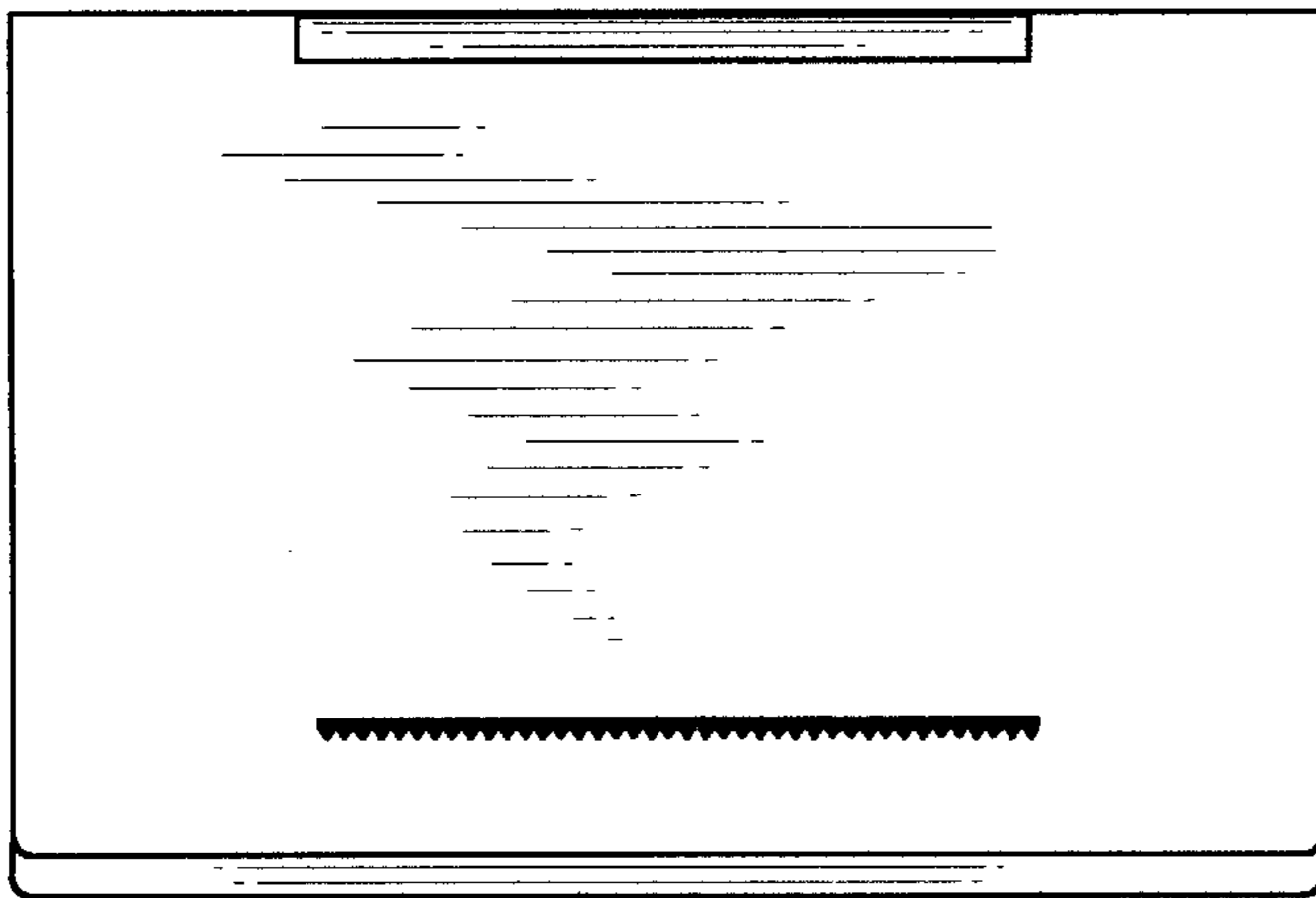


Fig. 7