



US00D454531S

(12) **United States Design Patent**
Amatino

(10) **Patent No.:** **US D454,531 S**
(45) **Date of Patent:** **** Mar. 19, 2002**

(54) **FRONT FACE OF A VEHICLE WHEEL**
(75) Inventor: **Bruno Antonio Amatino, Munich (DE)**
(73) Assignee: **Bayerische Motoren Werke
Aktiengesellschaft, Munich (DE)**
(**) Term: **14 Years**

D419,517 S * 1/2000 Sacco et al. D12/211
D432,480 S * 10/2000 Chung D12/209
D434,712 S * 12/2000 Chung D12/209
D435,005 S * 12/2000 Chung D12/209
D440,534 S * 4/2001 Ivanova et al. D12/211
D440,535 S * 4/2001 Penzes D12/211
D441,706 S * 5/2001 Pfeiffer D12/209
D447,106 S * 8/2001 Chung D12/209

(21) Appl. No.: **29/128,451**
(22) Filed: **Aug. 25, 2000**
(30) **Foreign Application Priority Data**
Feb. 25, 2000 (DE) 400 02 210
(51) **LOC (7) Cl.** **12-16**
(52) **U.S. Cl.** **D12/211**
(58) **Field of Search** D12/204-211;
301/37.1, 64.1, 65

FOREIGN PATENT DOCUMENTS

XH DM/047770 4/1999

* cited by examiner

Primary Examiner—Stacia Cadmus

(74) *Attorney, Agent, or Firm*—Crowell & Moring LLP

(57) **CLAIM**

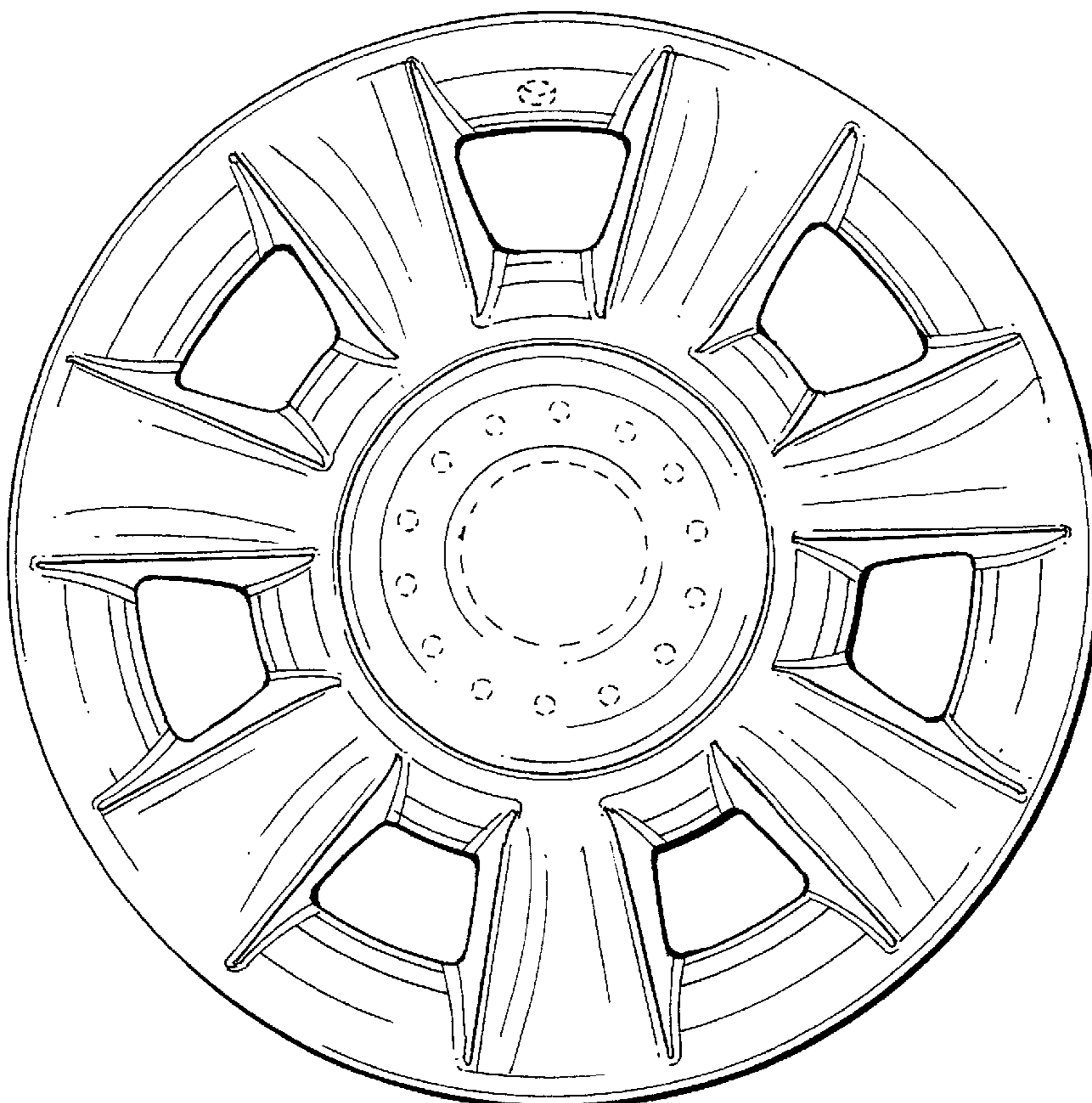
The ornamental design for a front face of a vehicle wheel, as shown and described.

(56) **References Cited**
U.S. PATENT DOCUMENTS
D84,322 S * 6/1931 Beutke et al. D12/209
D260,874 S * 9/1981 Reppert D12/209
D329,416 S * 9/1992 Braungart et al. D12/209
D333,648 S * 3/1993 Schwenk D12/209
D388,047 S * 12/1997 Pfeiffer et al. D12/211
D401,899 S * 12/1998 Pfeiffer D12/209
D408,346 S * 4/1999 Goplen D12/211

DESCRIPTION

FIG. 1 is a front view of a front face of a vehicle wheel according to my novel design; and, FIG. 2 is a perspective view of the front face of a vehicle wheel according to my novel design. The dash lines included depict environment and are not part of the claimed design.

1 Claim, 1 Drawing Sheet



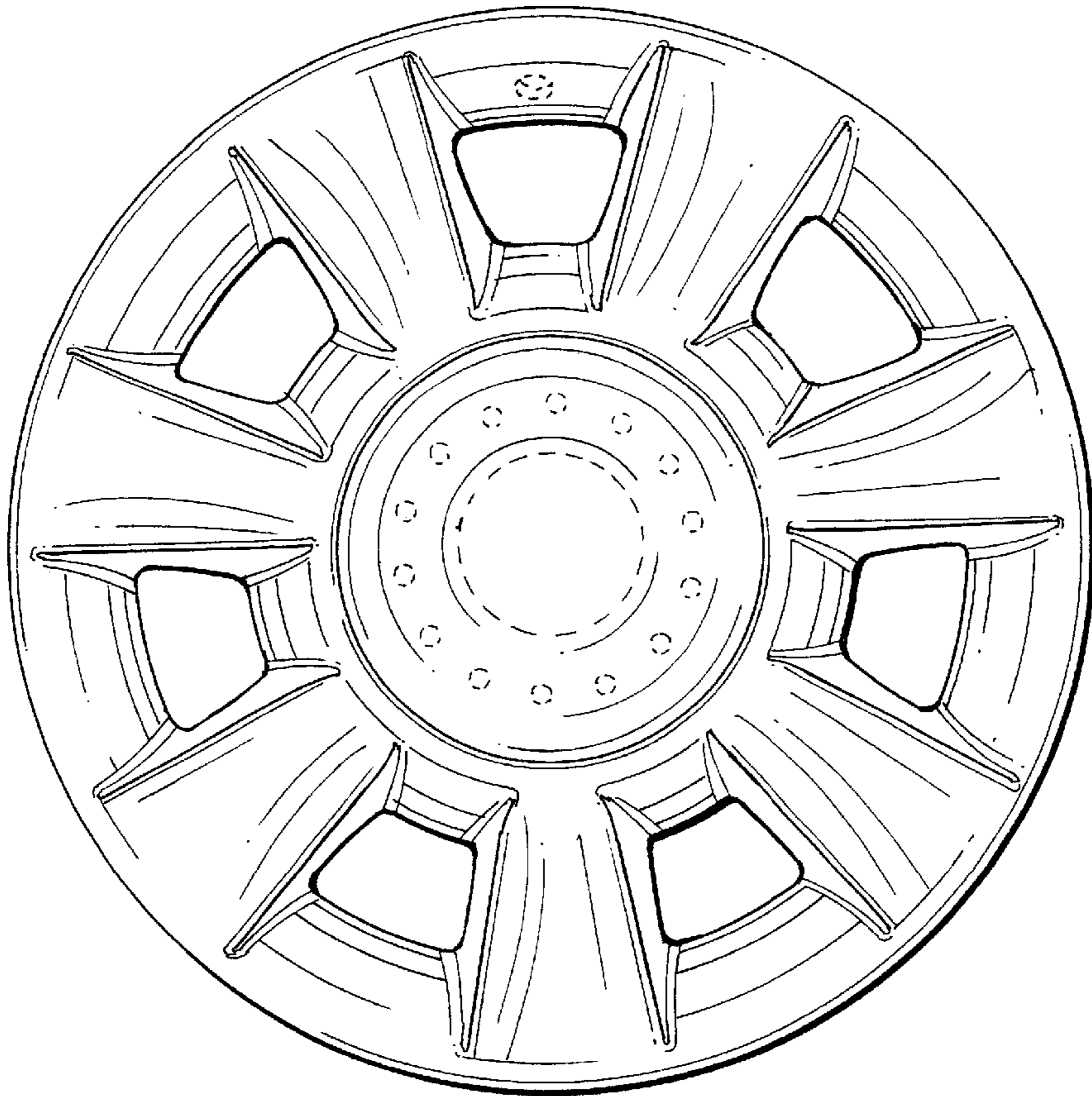


FIG. 1

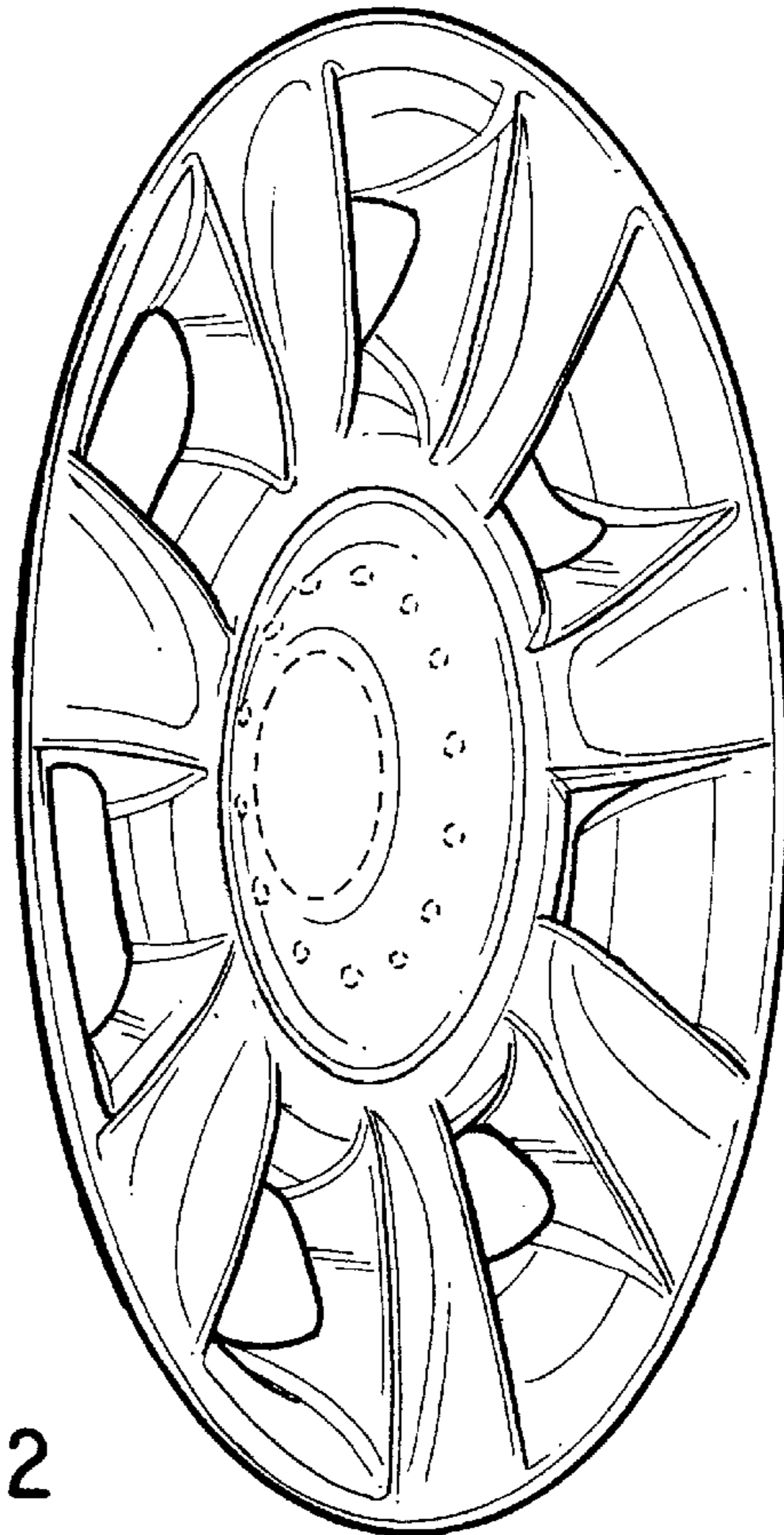


FIG. 2