



US00D454528S

(12) **United States Design Patent**
Brown et al.

(10) **Patent No.:** **US D454,528 S**
(45) **Date of Patent:** **** Mar. 19, 2002**

(54) **CUSTOM WHEEL**

(75) Inventors: **Larry P. Brown**, Altadena; **Frederick D. Brown**, Los Angeles, both of CA (US)

(73) Assignee: **Arelli Alloy Wheels, Inc.**, Los Angeles, CA (US)

(**) Term: **14 Years**

(21) Appl. No.: **29/145,519**

(22) Filed: **Jul. 23, 2001**

(51) **LOC (7) Cl.** **12-16**

(52) **U.S. Cl.** **D12/209**

(58) **Field of Search** D12/204-211;
301/37.1, 64.1, 65

(56) **References Cited**

U.S. PATENT DOCUMENTS

D375,287 S	*	11/1996	Neeper	D12/211
D388,046 S	*	12/1997	Roesianto	D12/209
D391,216 S	*	2/1998	Bollmanne et al.	D12/209
D398,275 S	*	9/1998	Neeper	D12/209
D408,774 S	*	4/1999	Nishida	D12/209
D411,159 S	*	6/1999	Neeper	D12/211

D416,534 S	*	11/1999	Couzyne et al.	D12/211
D416,846 S	*	11/1999	Melegarie et al.	D12/209
D432,972 S	*	10/2000	Chung	D12/209
D433,986 S	*	11/2000	Wang	D12/209
D436,569 S	*	1/2001	Brown et al.	D12/209
D438,161 S	*	2/2001	Ong	D12/209
D442,135 S	*	5/2001	Chrysanto et al.	D12/209
D445,392 S	*	7/2001	Chung	D12/211

OTHER PUBLICATIONS

Lowrider Magazine, p. 161, See Arelli Wheel JADE.*

* cited by examiner

Primary Examiner—Stacia Cadmus

(74) *Attorney, Agent, or Firm*—Lyon & Lyon LLP

(57) **CLAIM**

The ornamental design for a custom wheel, as shown and described.

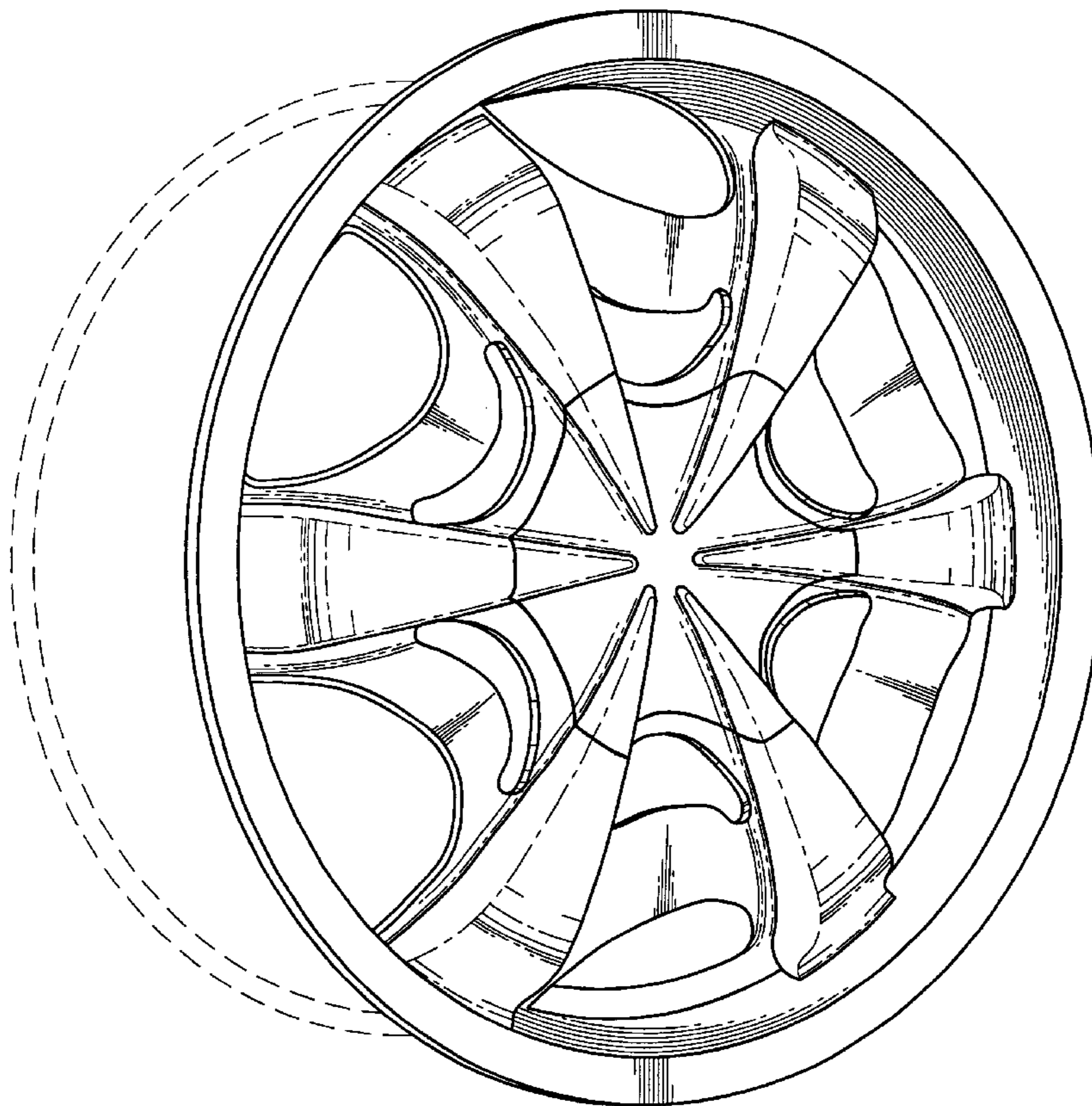
DESCRIPTION

FIG. 1 is a front elevational view of a custom wheel showing our new design; and,

FIG. 2 is a perspective view thereof.

The broken line showing of environment is for illustrative purposes only and forms no part of the claimed design.

1 Claim, 2 Drawing Sheets



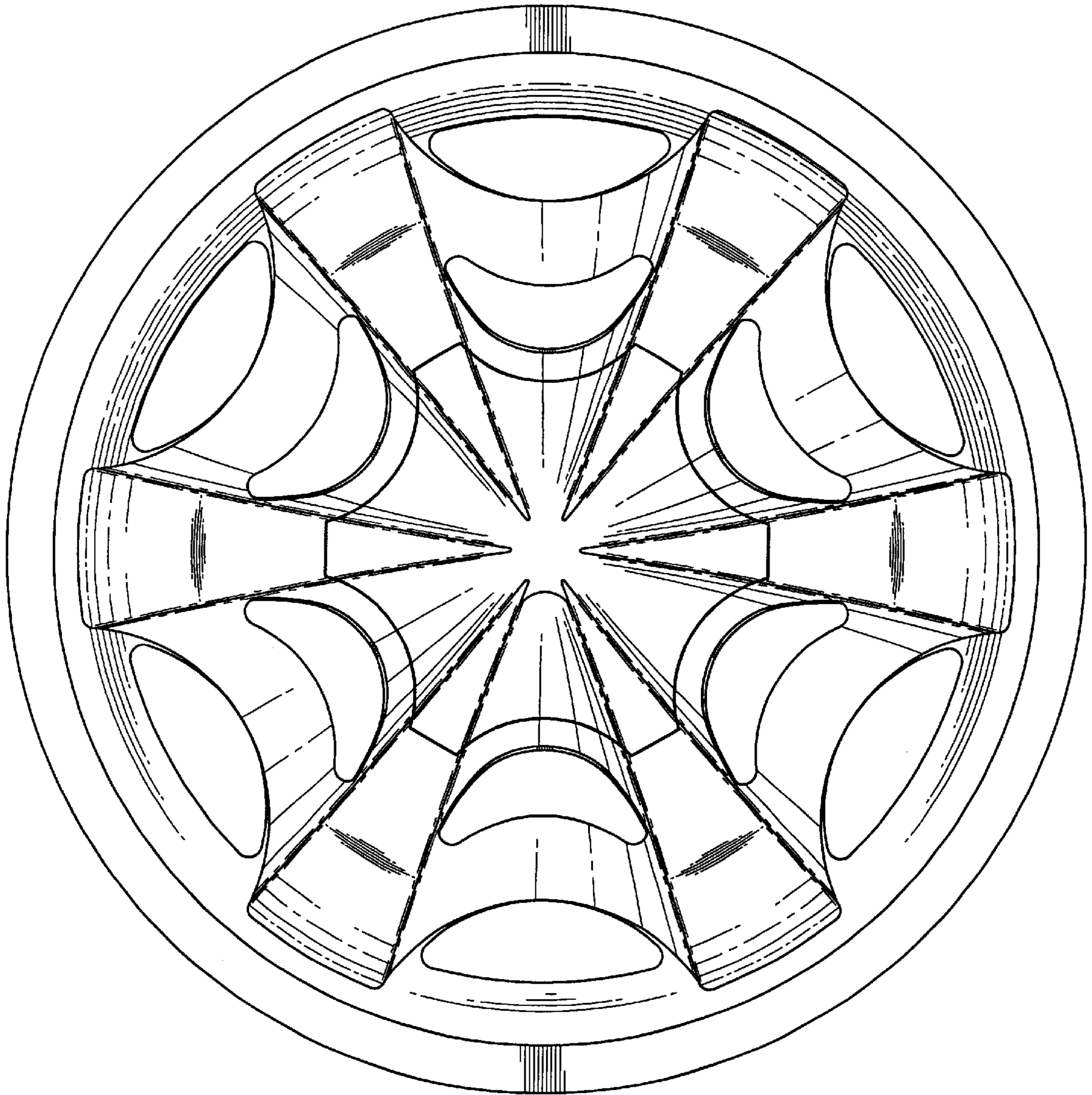


FIG. 1

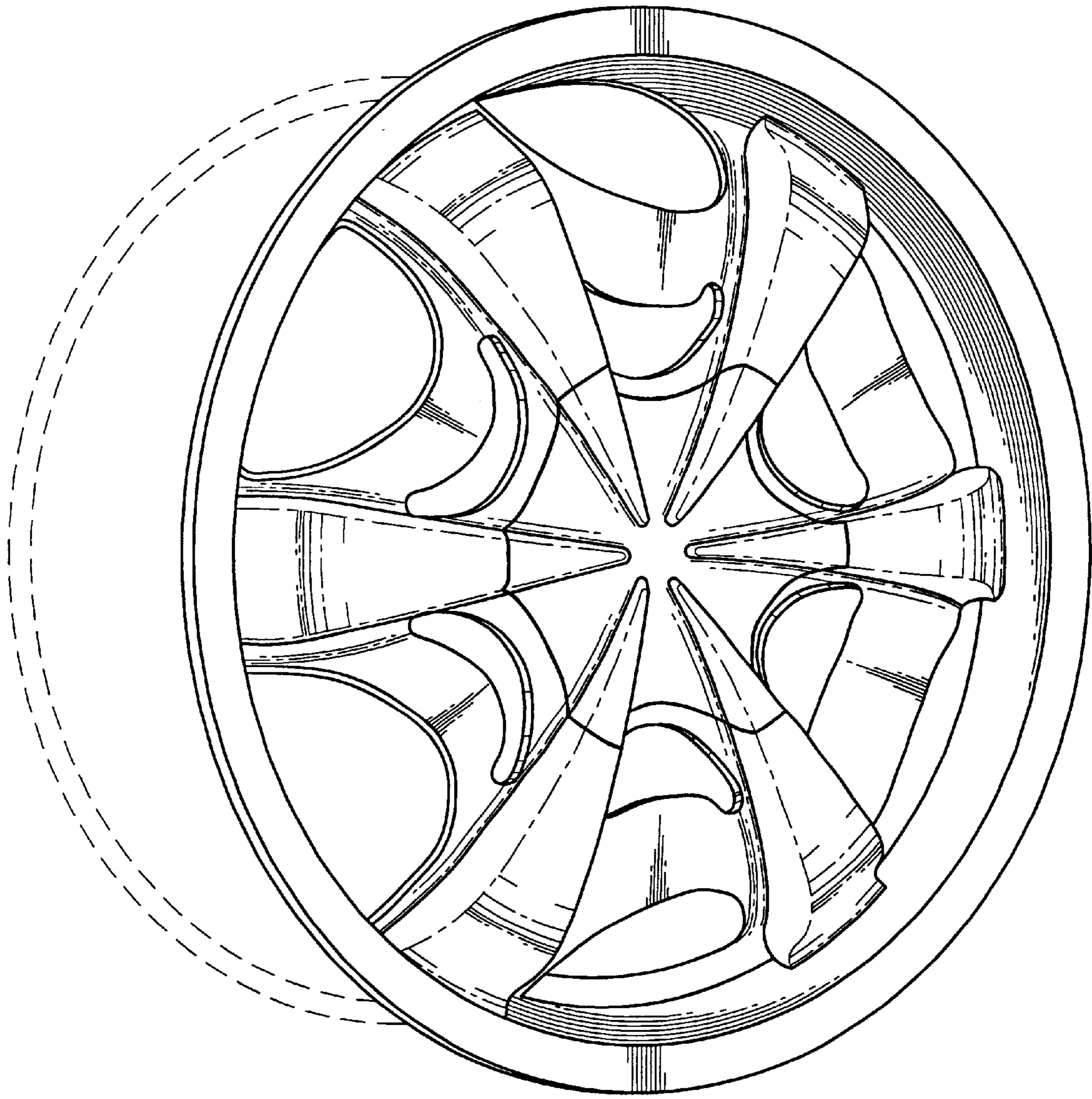


FIG. 2