



US00D454527S

(12) **United States Design Patent**
Bhambra

(10) **Patent No.:** **US D454,527 S**

(45) **Date of Patent:** **** Mar. 19, 2002**

(54) **FRONT FACE OF A VEHICLE WHEEL**

(75) **Inventor:** **Ranjit Bhambra,**
Tiefenbronn-Mühlhausen (DE)

(73) **Assignee:** **Dr. Ing. H. C. F. Porsche**
Aktiengesellschaft, Stuttgart (DE)

(**) **Term:** **14 Years**

(21) **Appl. No.:** **29/135,714**

(22) **Filed:** **Jan. 18, 2001**

(30) **Foreign Application Priority Data**

Jul. 20, 2000 (DE) 4 00 06 802

(51) **LOC (7) Cl.** **12-16**

(52) **U.S. Cl.** **D12/209**

(58) **Field of Search** D12/204-211;
301/37.1, 64.1, 65

(56) **References Cited**

U.S. PATENT DOCUMENTS

- D380,432 S * 7/1997 Hettler D12/209
- D384,932 S * 10/1997 Cullen D12/211
- D398,574 S * 9/1998 McMath D12/211
- D402,251 S * 12/1998 Timm D12/211

- D407,364 S * 3/1999 Fisker D12/209
- D412,480 S * 8/1999 Hussaini et al. D12/209
- D417,646 S * 12/1999 Baumgartner D12/211
- D421,417 S * 3/2000 Weidhase D12/209
- D428,846 S * 8/2000 Yoshida et al. D12/211
- D429,681 S * 8/2000 Cullen D12/211
- D432,974 S * 10/2000 Jablonski D12/211
- D433,374 S * 11/2000 Wang D12/209
- D433,659 S * 11/2000 Frizzi D12/211
- D437,819 S * 2/2001 Brown et al. D12/209

* cited by examiner

Primary Examiner—Stacia Cadmus

(74) *Attorney, Agent, or Firm*—Crowell & Moring LLP

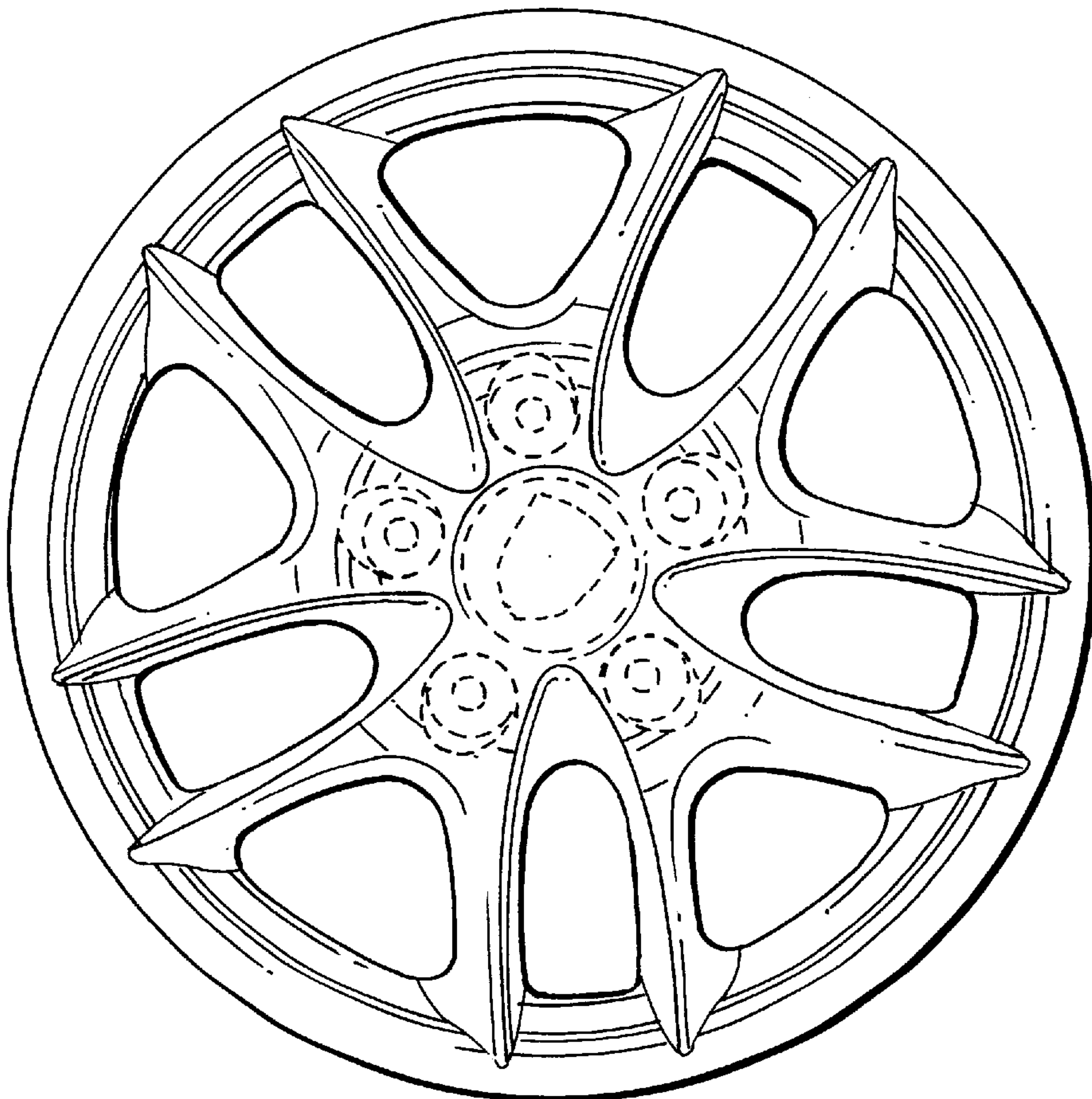
(57) **CLAIM**

The ornamental design for a front face of a vehicle wheel, as shown and described.

DESCRIPTION

FIG. 1 is a front view of a front face of a vehicle wheel according to my novel design; and, FIG. 2 is a perspective view of the front face of a vehicle wheel according to my novel design. The dash lines included depict environment and are not part of the claimed design.

1 Claim, 1 Drawing Sheet



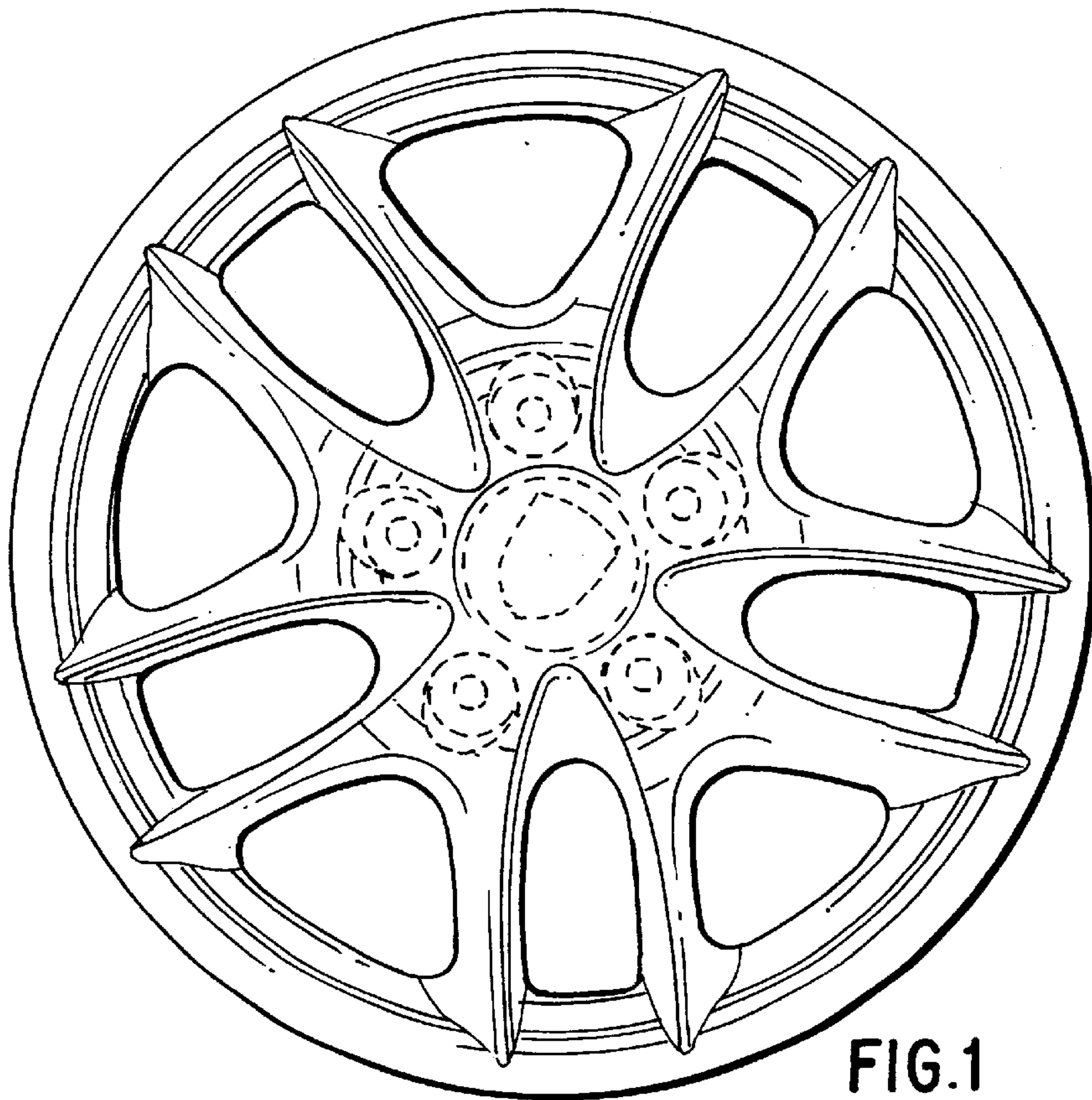


FIG. 1

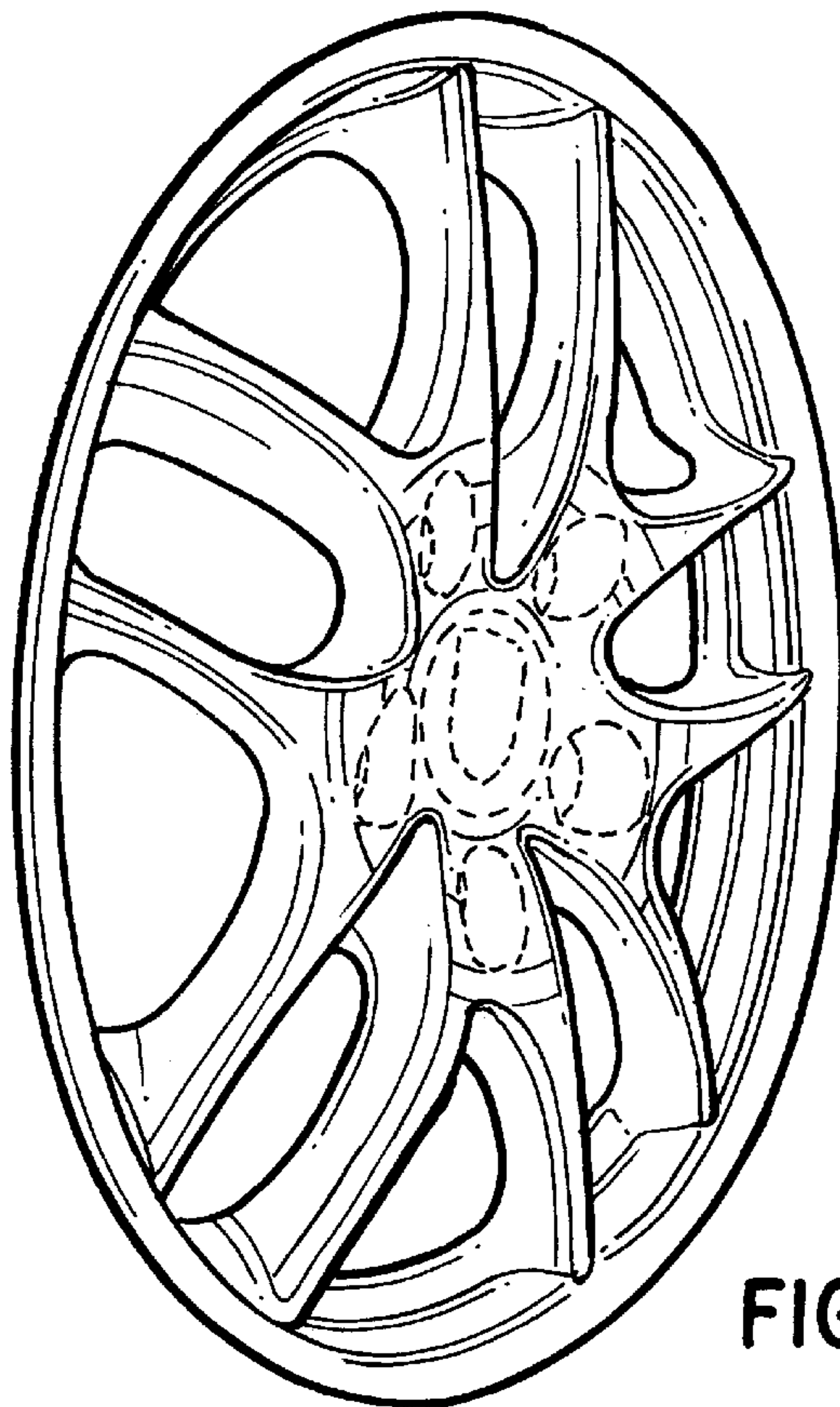


FIG. 2