



US00D454517S

(12) **United States Design Patent**
Yuan et al.

(10) **Patent No.:** **US D454,517 S**
(45) **Date of Patent:** **** Mar. 19, 2002**

(54) **DIAMOND**

D440,902 S * 4/2001 Wolf D11/90

(76) Inventors: **Joe Chih-Chung Yuan; Calvin S. C. Yuan**, both of 7F-2, No. 63, Sec. 1, Fu-Hsing S. Rd., Taipei (TW)

* cited by examiner

Primary Examiner—Ralf Seifert
(74) *Attorney, Agent, or Firm*—Christensen O'Connor Johnson Kindness PLLC

(**) Term: **14 Years**

(21) Appl. No.: **29/140,327**

(57) **CLAIM**

(22) Filed: **Apr. 16, 2001**

The ornamental design for diamond, as shown and described.

(51) **LOC (7) Cl.** **11-01**

DESCRIPTION

(52) **U.S. Cl.** **D11/90**

(58) **Field of Search** D11/1, 2, 7, 26-29, D11/35-36, 40-46, 78, 89-92; 63/1.1-36

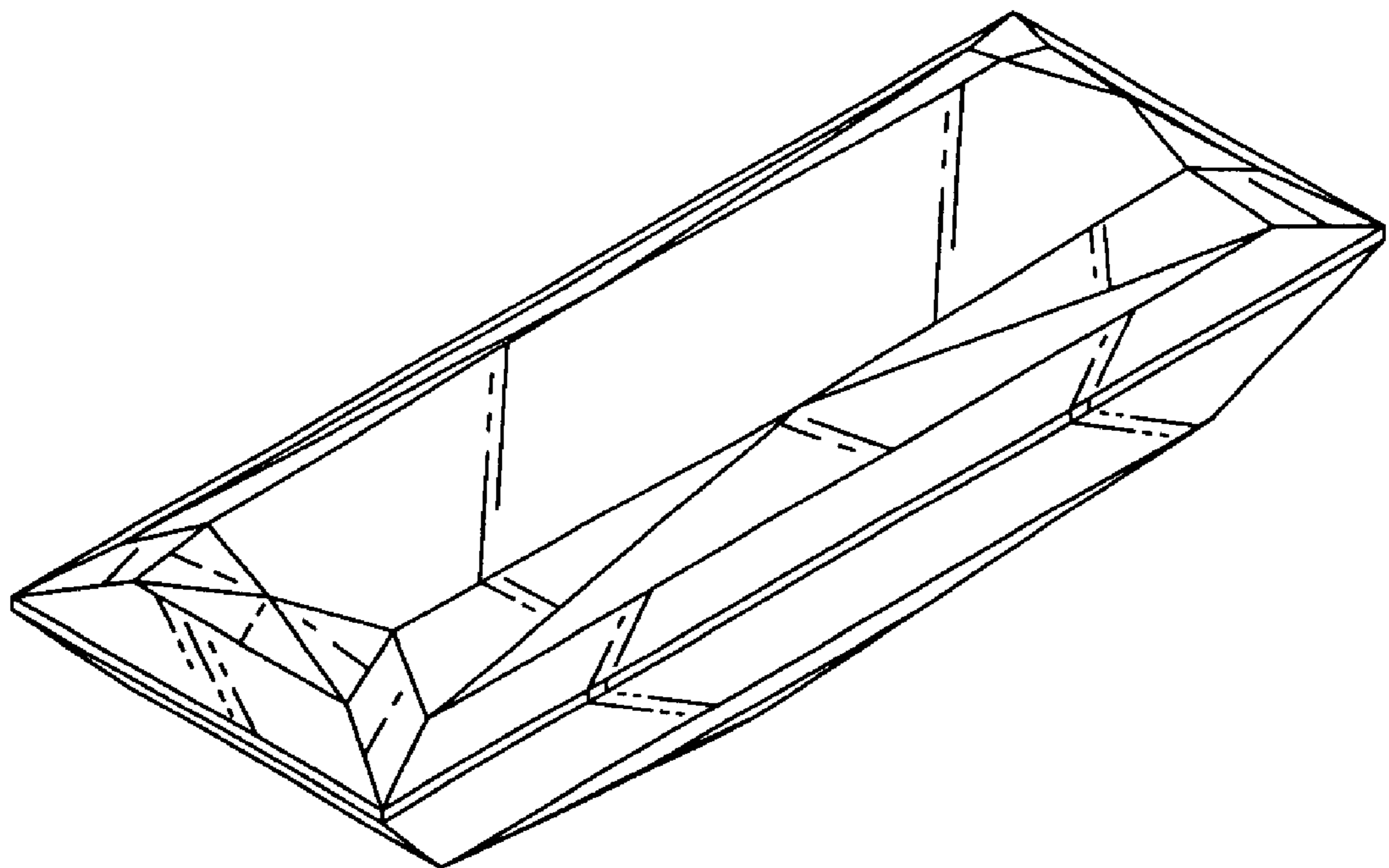
FIG. 1 is a perspective view of one embodiment of a diamond showing my new design; FIG. 2 is a front elevational view of the diamond of FIG. 1; FIG. 3 is a rear elevational view of the diamond of FIG. 1; FIG. 4 is a left side elevational view of the diamond of FIG. 1; FIG. 5 is a right side elevational view of the diamond of FIG. 1; FIG. 6 is a top plan view of the diamond of FIG. 1; and, FIG. 7 is a bottom plan view of the diamond of FIG. 1.

(56) **References Cited**

U.S. PATENT DOCUMENTS

D251,659 S	*	4/1979	Grossbard	D11/90
D324,003 S	*	2/1992	Baranes	D11/90
D402,226 S	*	12/1998	Wolf	D11/90
D402,582 S	*	12/1998	Ambar	D11/89
D420,935 S	*	2/2000	Ambar	D11/90
D429,475 S	*	8/2000	Steinberg	D11/90

1 Claim, 1 Drawing Sheet



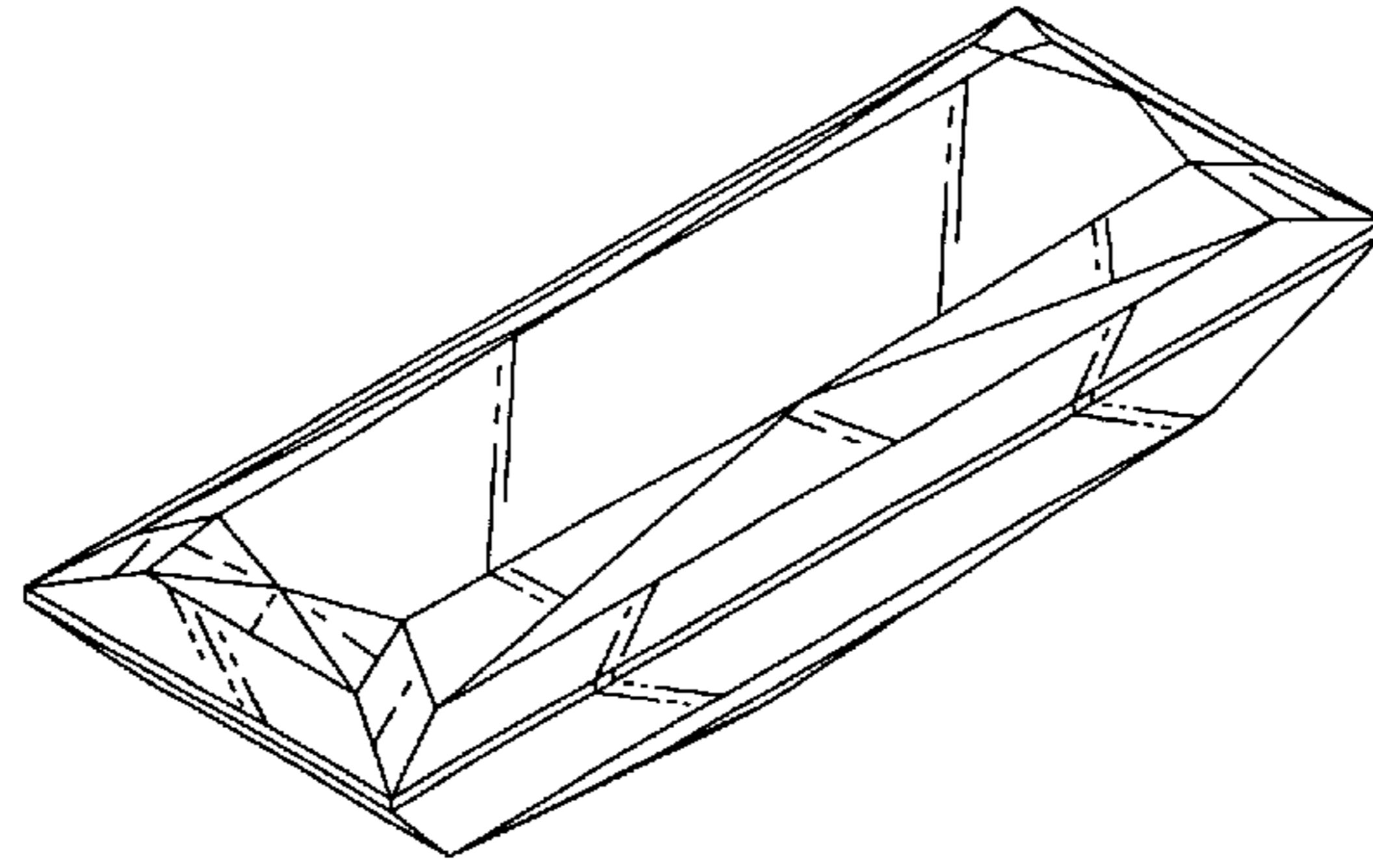


FIG. 1

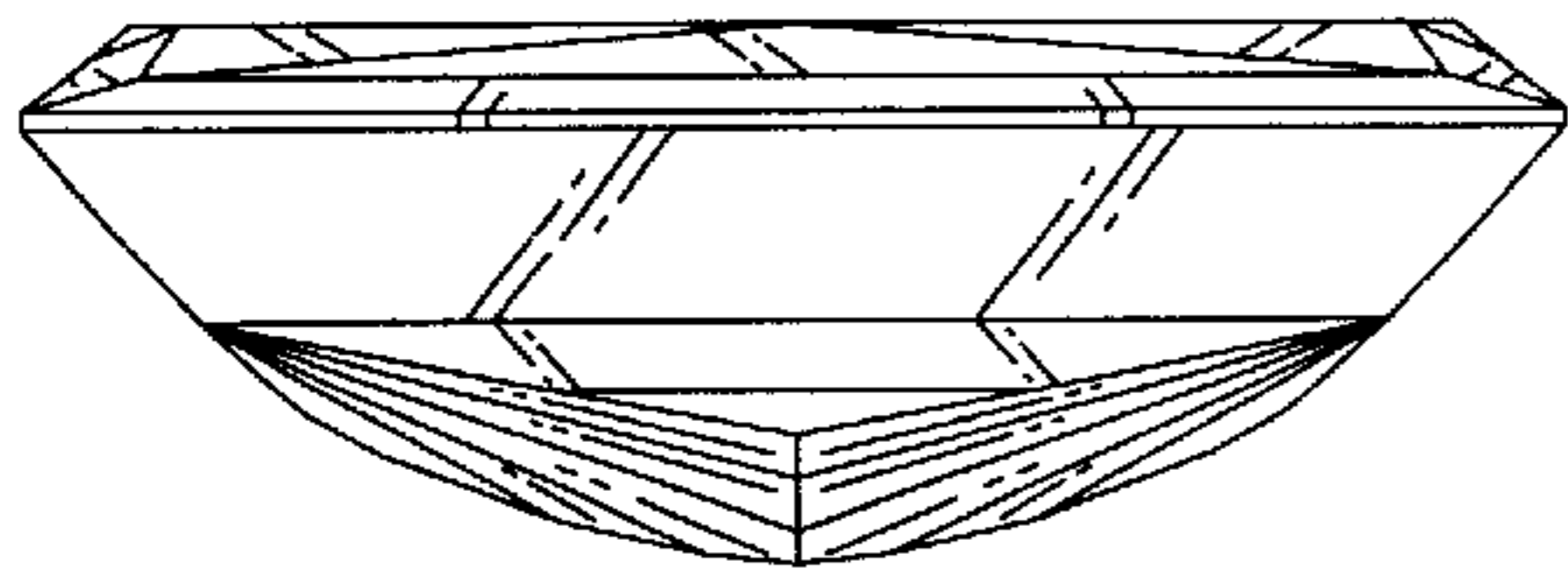


FIG. 2

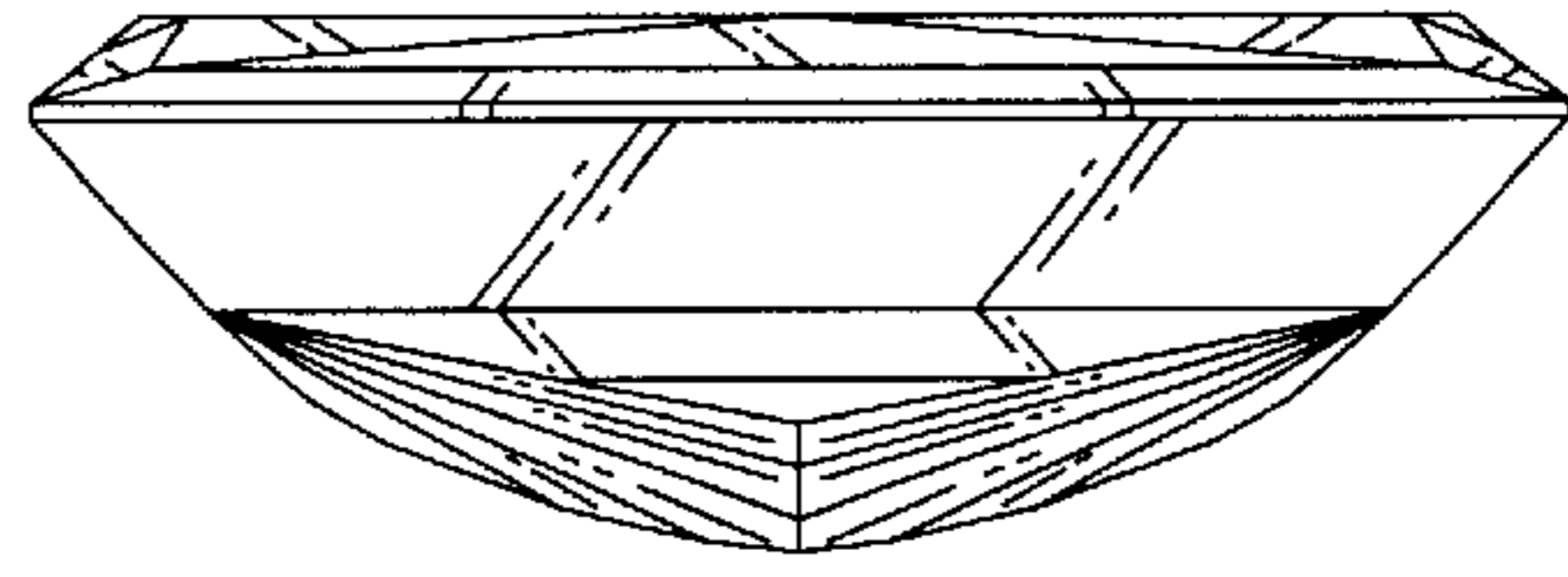


FIG. 3

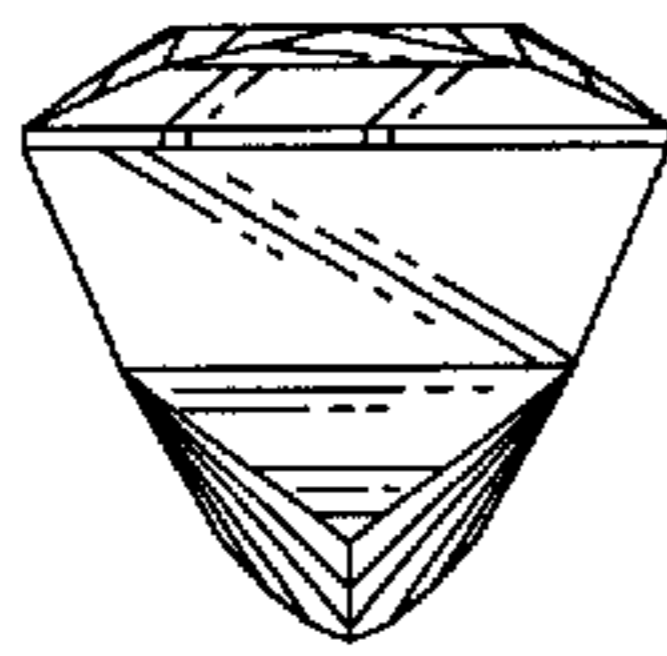


FIG. 4

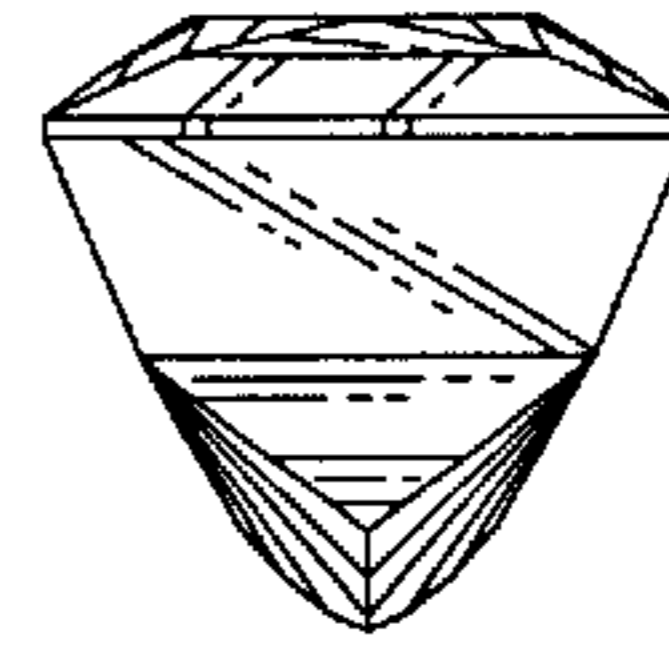


FIG. 5

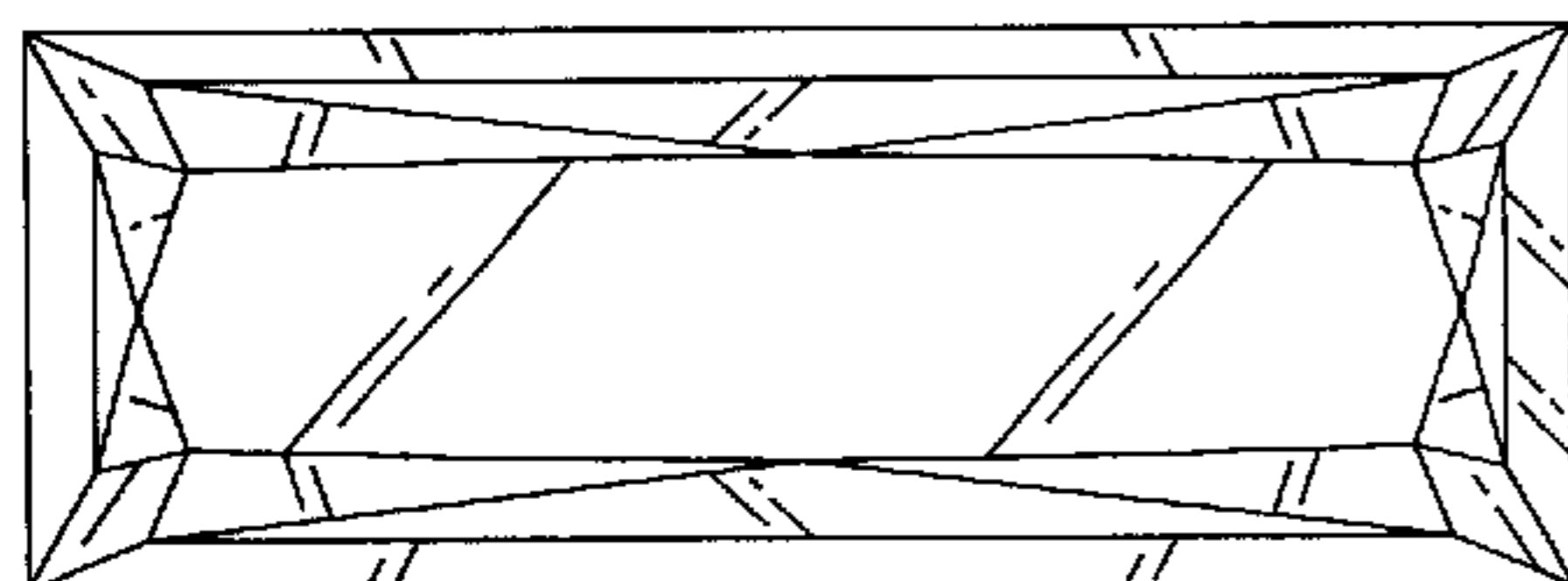


FIG. 6

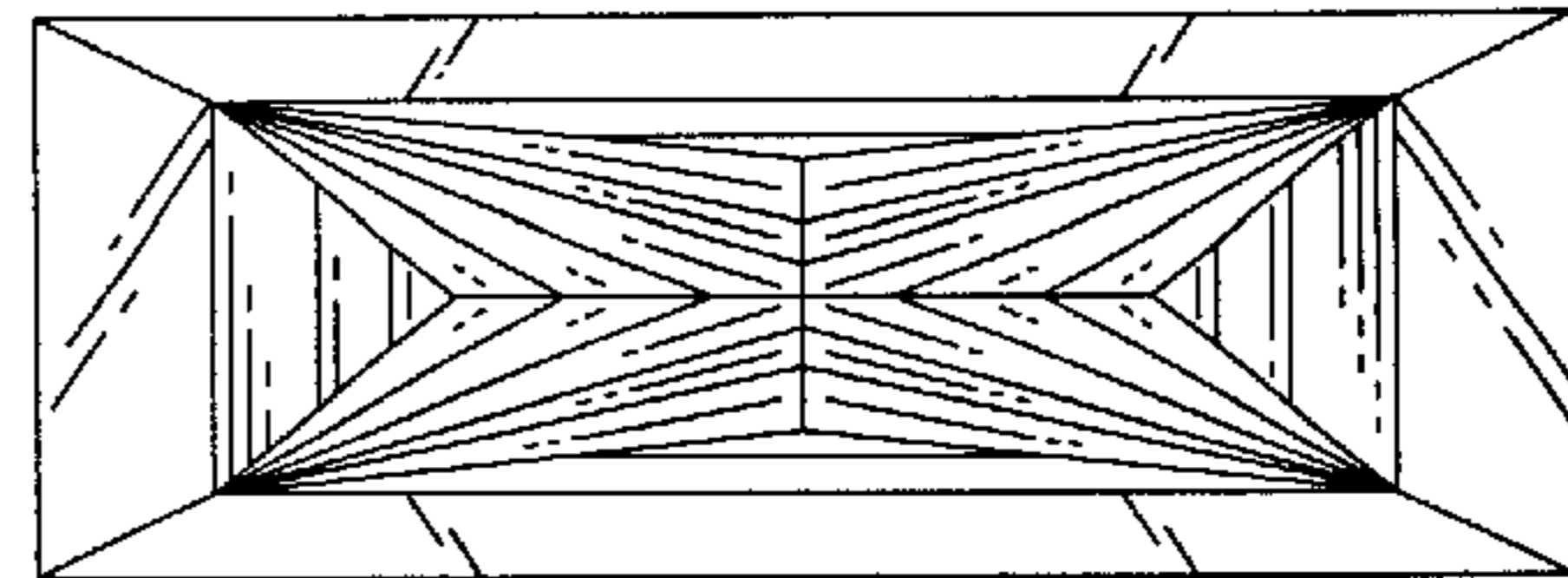


FIG. 7