



US00D454510S

(12) **United States Design Patent**  
**Jones**

(10) **Patent No.:** **US D454,510 S**

(45) **Date of Patent:** **\*\* Mar. 19, 2002**

(54) **SADDLE SQUARE**

(75) Inventor: **Steve K. Jones**, Nepean (CA)

(73) Assignee: **Lee Valley Tools Ltd.**, Ottawa (CA)

(\*\*) Term: **14 Years**

(21) Appl. No.: **29/139,506**

(22) Filed: **Mar. 30, 2001**

(51) **LOC (7) Cl.** ..... **10-04**

(52) **U.S. Cl.** ..... **D10/65**

(58) **Field of Search** ..... D10/65; 33/429,  
33/474, 475, 348, 666, 672, 833, 347

(56) **References Cited**

**U.S. PATENT DOCUMENTS**

D331,025 S \* 11/1992 Friddell ..... D10/69  
D442,095 S \* 5/2001 Goss et al. .... D10/69

\* cited by examiner

*Primary Examiner*—Antoine Duval Davis  
(74) *Attorney, Agent, or Firm*—Kilpatrick Stockton LLP;  
John S. Pratt, Esq.; Kristin L. Johnson, Esq.

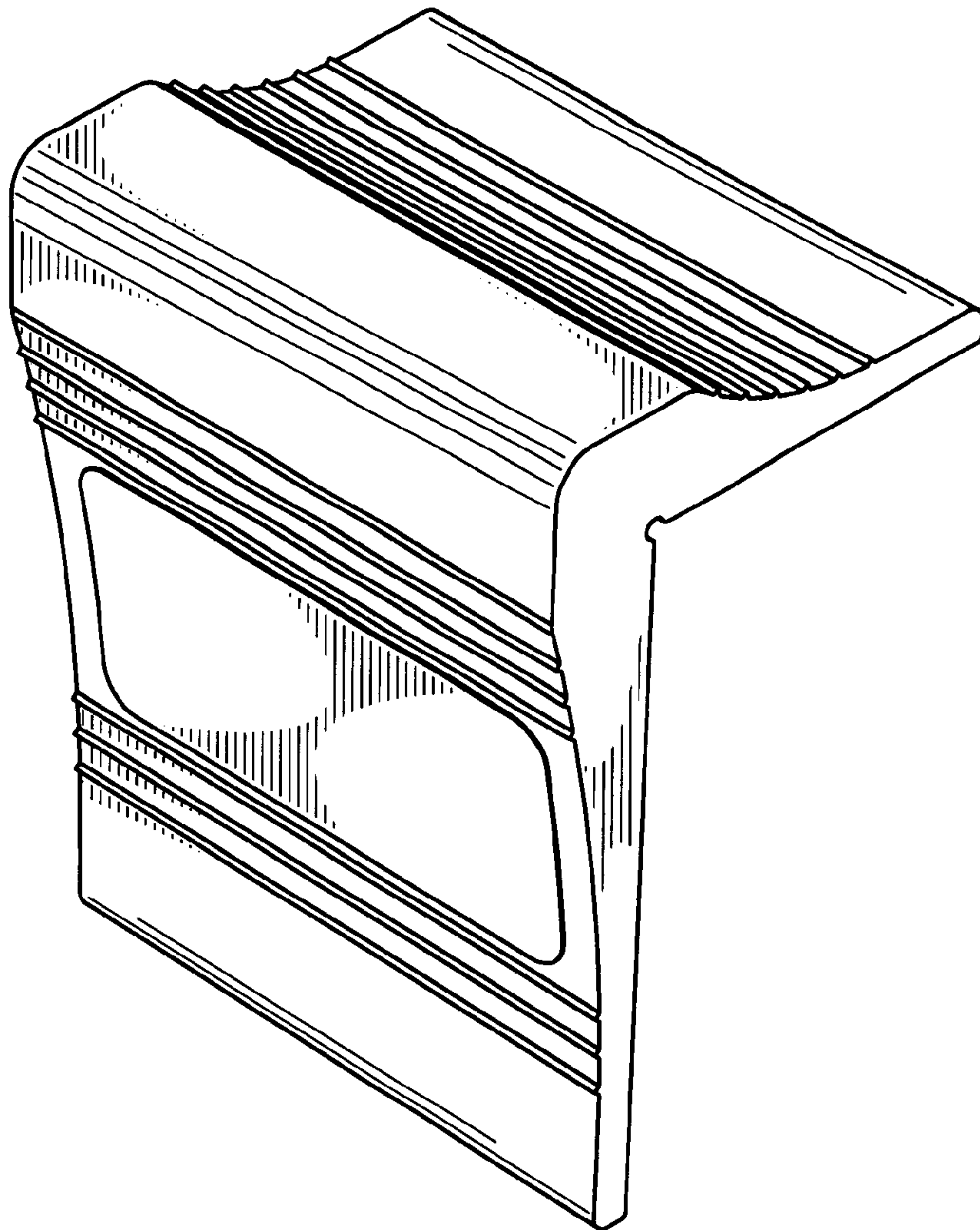
(57) **CLAIM**

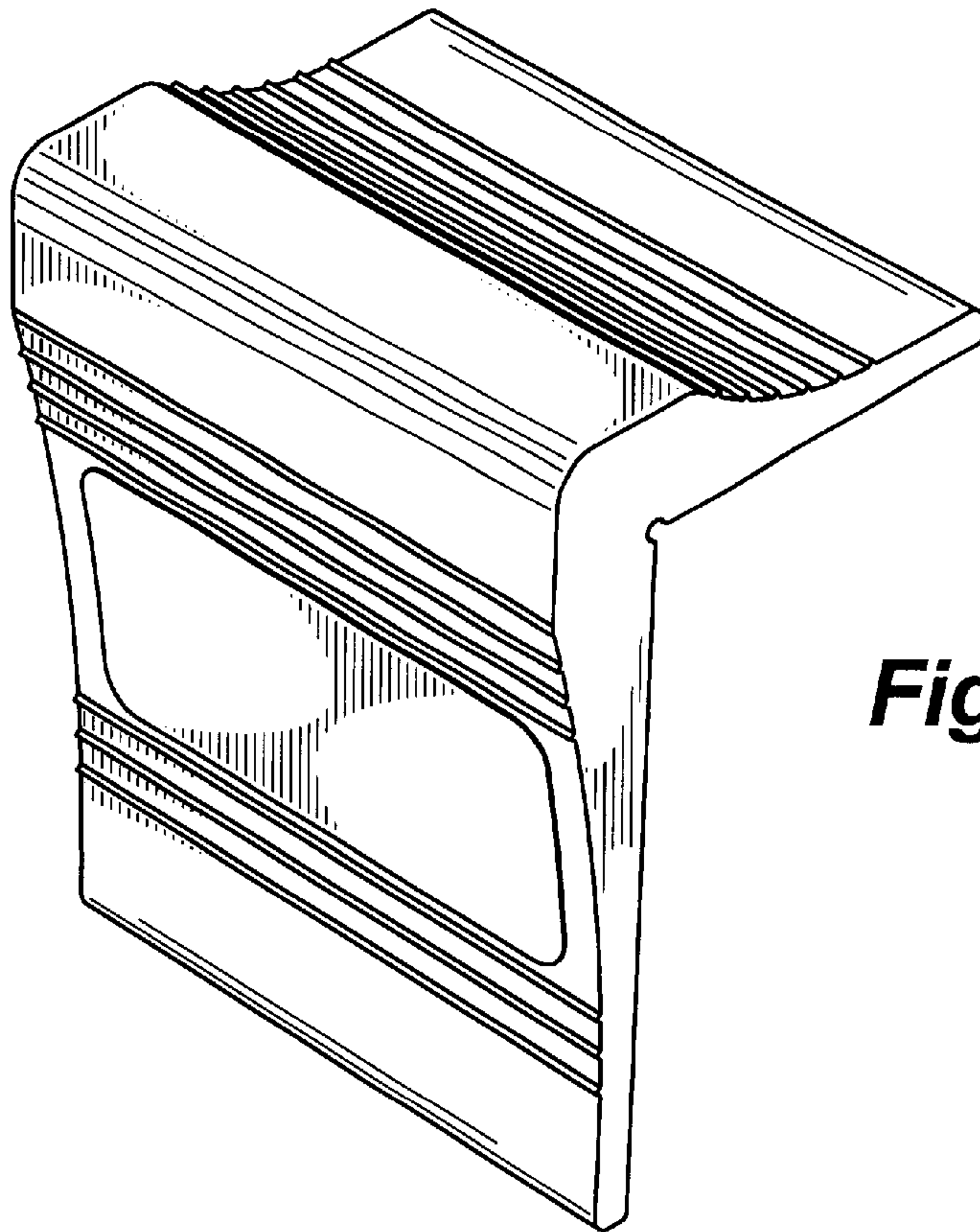
The ornamental design for a saddle square, as shown and described.

**DESCRIPTION**

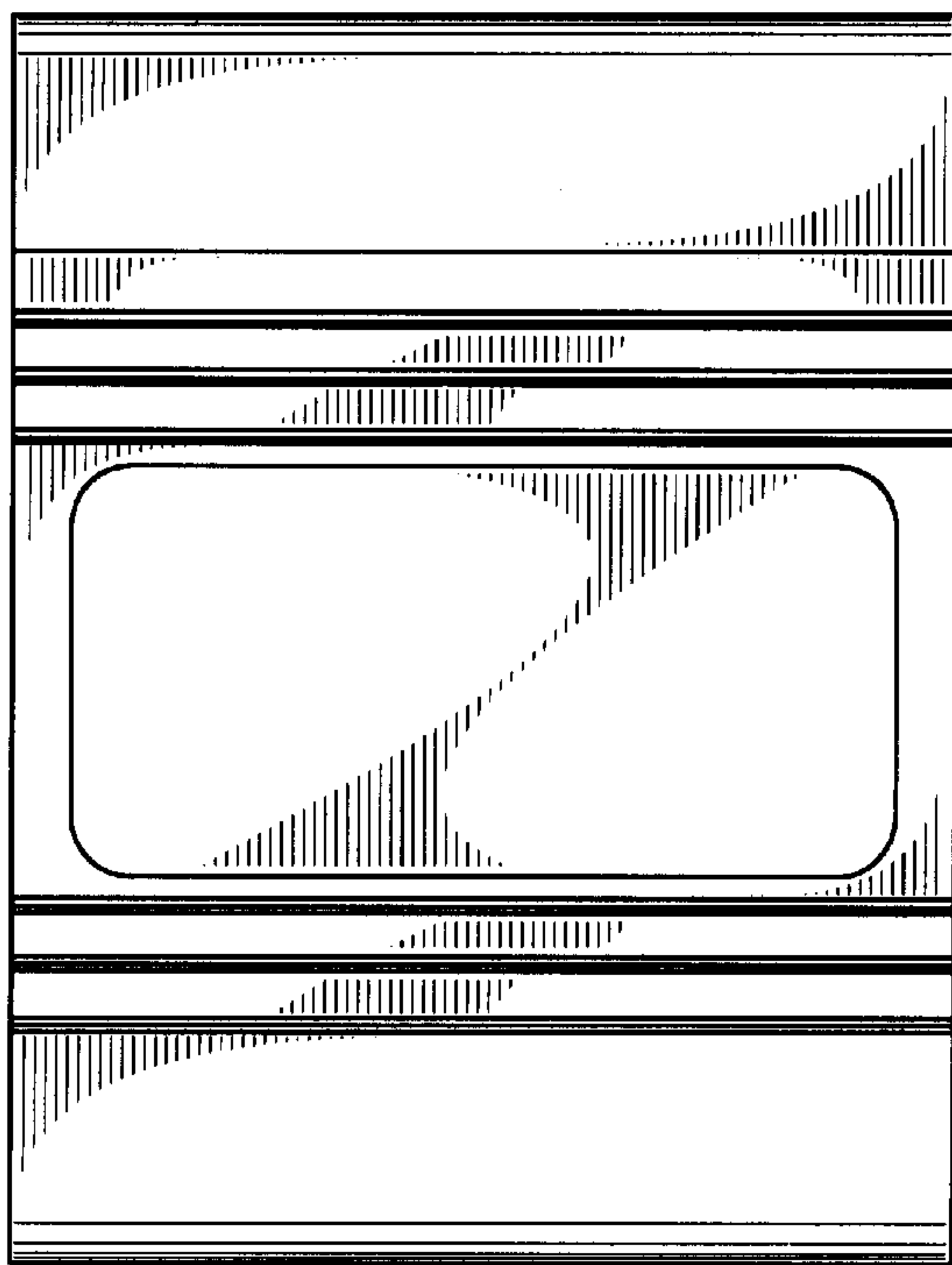
FIG. 1 is a top perspective view of the saddle square.  
FIG. 2 is a front elevation view of the saddle square shown in FIG. 1.  
FIG. 3 is a side elevation view of the saddle square shown in FIG. 1.  
FIG. 4 is a back elevation view of the saddle square shown in FIG. 1.  
FIG. 5 is a top plan view of the saddle square shown in FIG. 1; and,  
FIG. 6 is a bottom plan view of the saddle square shown in FIG. 1.

**1 Claim, 2 Drawing Sheets**

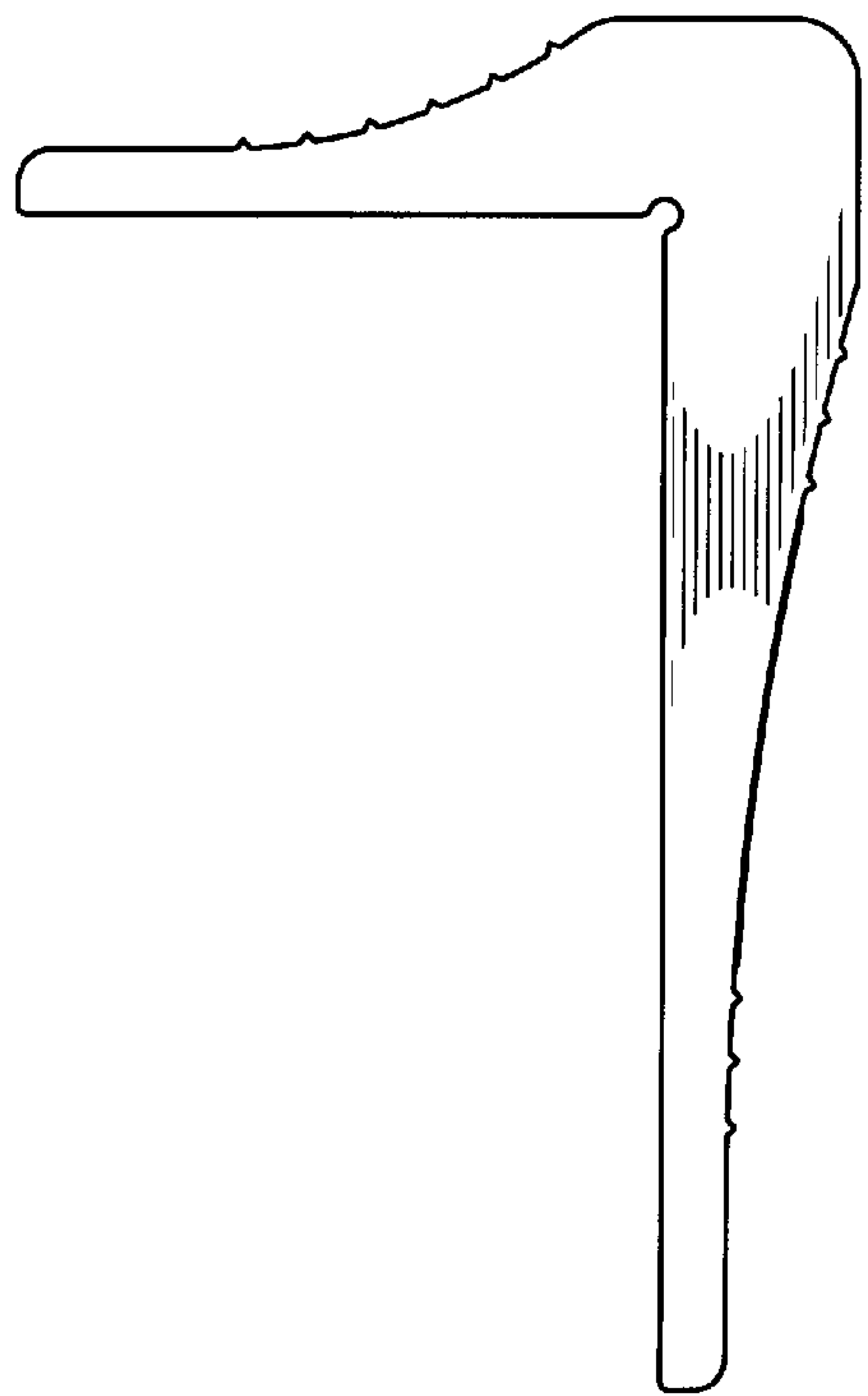




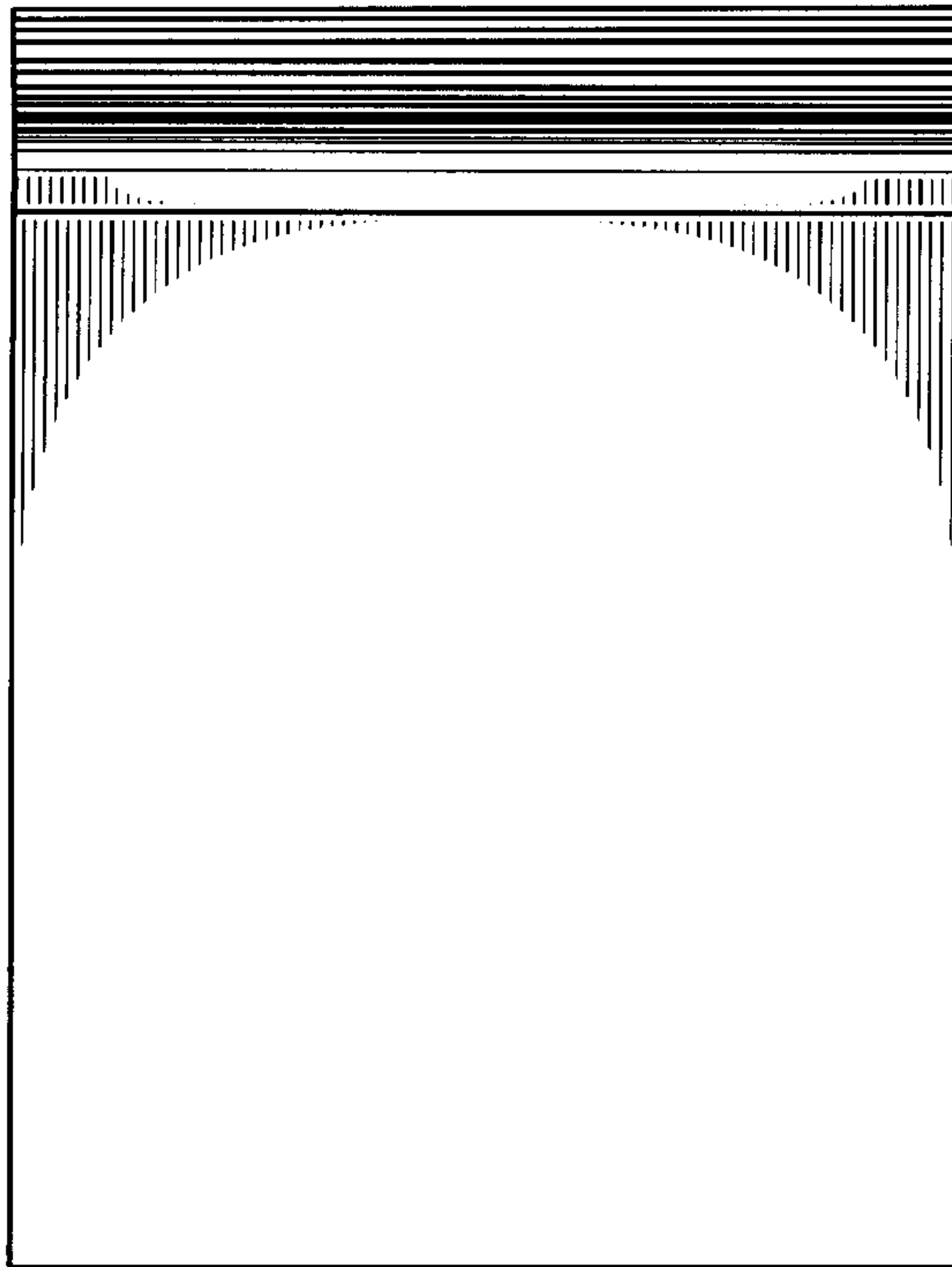
**Fig. 1**



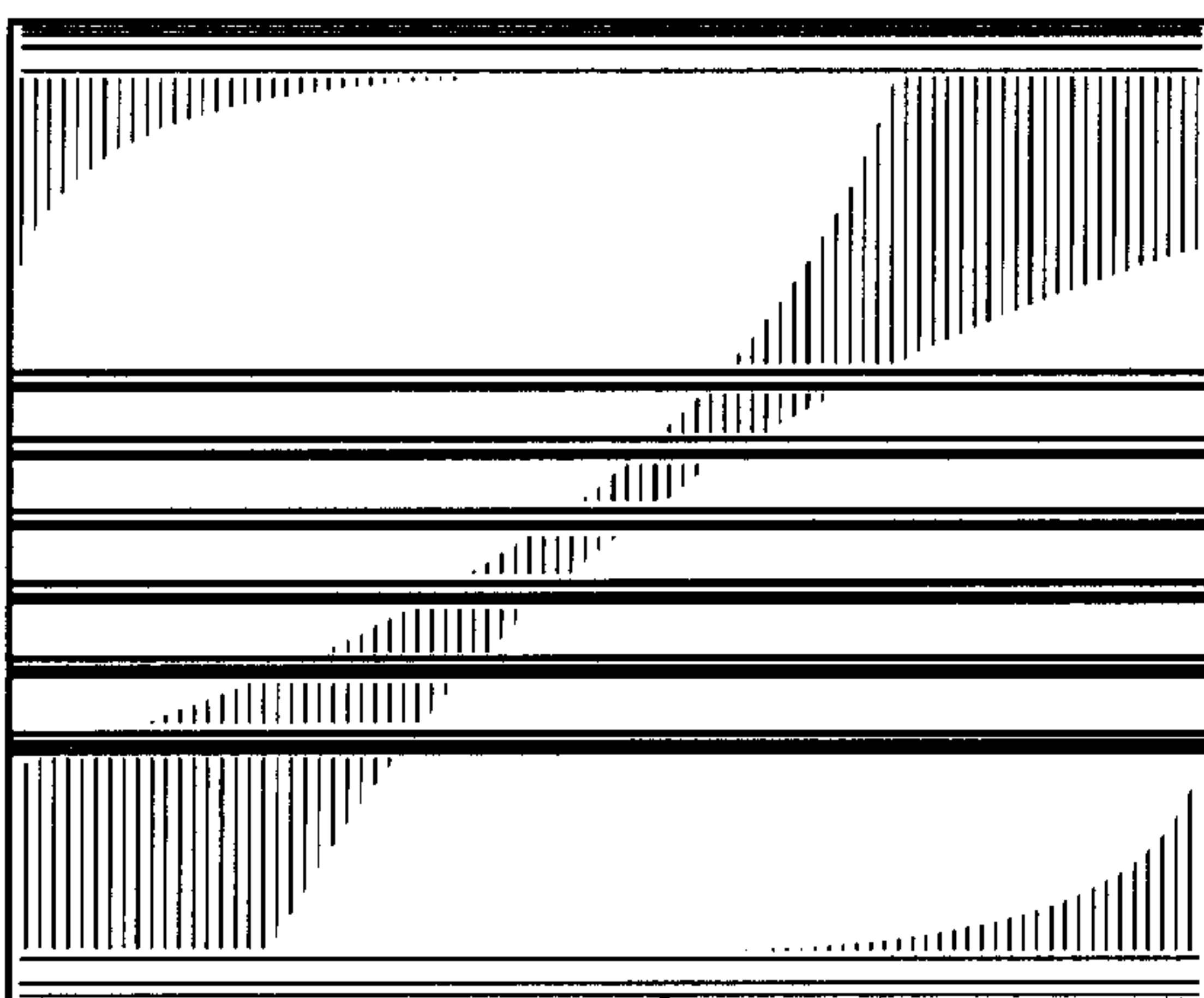
**Fig. 2**



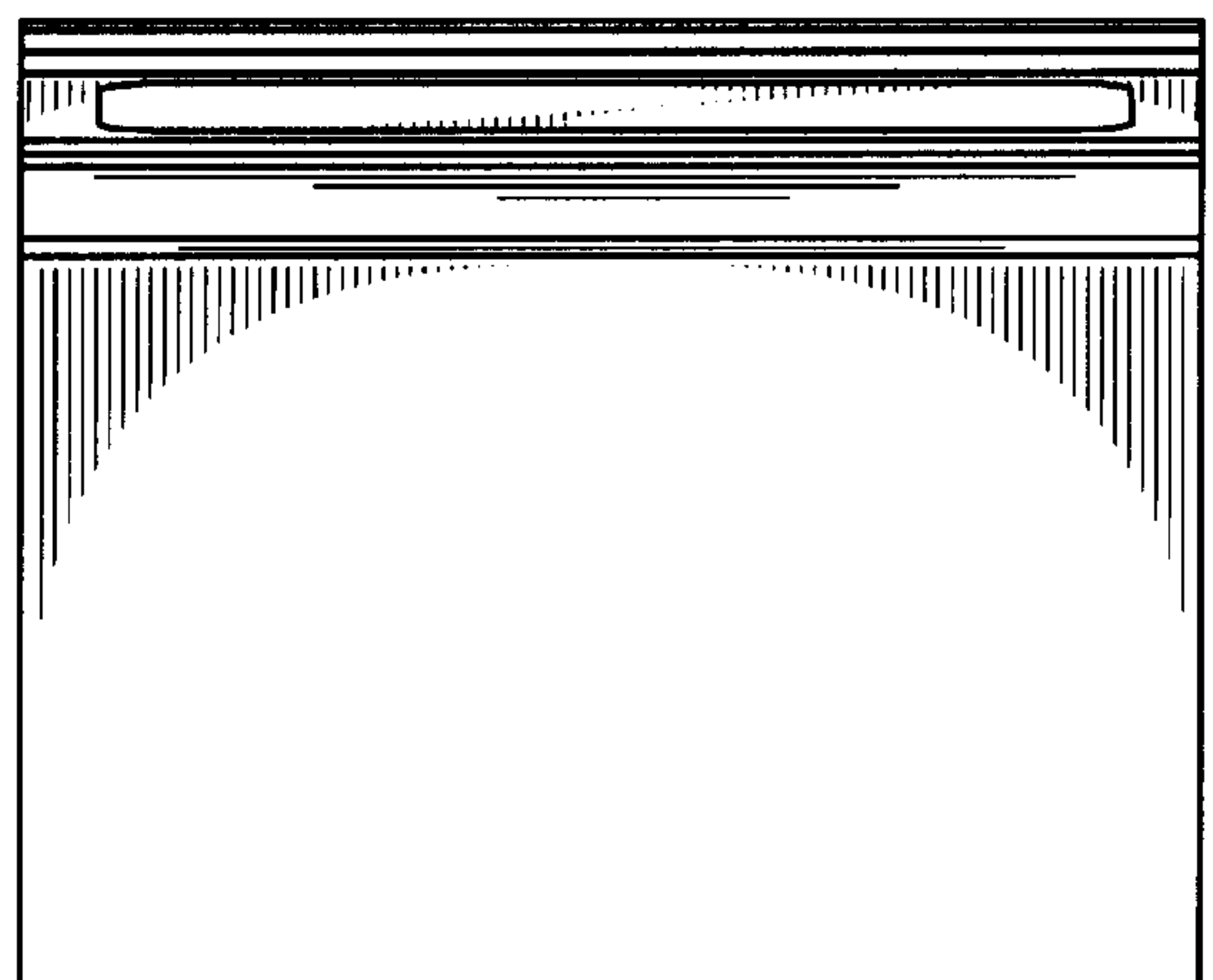
**Fig. 3**



**Fig. 4**



**Fig. 5**



**Fig. 6**