



US00D454508S

(12) **United States Design Patent**
Stekelenburg

(10) **Patent No.:**

US D454,508 S

(45) **Date of Patent:**

**** Mar. 19, 2002**

(54) **TIMER**

(75) **Inventor:** Albert Stekelenburg, Taipei (TW)

(73) **Assignee:** All-Time Inc. (TW)

(**) **Term:** 14 Years

(21) **Appl. No.:** 29/143,472

(22) **Filed:** Jun. 15, 2001

(51) **LOC (7) Cl.** 10-03

(52) **U.S. Cl.** D10/40

(58) **Field of Search** D10/15, 22, 40,
D10/41, 123; D13/171; 200/35 H, 35 R,
36, 37 A, 38 A, 38 F, 38 FA, 38 D, 38 DA,
38 DC, 38 FB, 38 R; 307/141; 368/96,
97, 98, 99, 100, 107, 108, 109, 110, 112,
113, 246, 276, 277

(56) **References Cited**

U.S. PATENT DOCUMENTS

- D165,134 S * 11/1951 Burger D13/171
- D204,312 S * 4/1966 Landvater D10/123
- D405,376 S * 2/1999 Stekelenburg D10/40

- D428,347 S * 7/2000 Stekelenburg D10/40
- D431,787 S * 10/2000 Stekelenburg D10/40
- D432,441 S * 10/2000 Stekelenburg D10/40
- D449,235 S * 10/2001 Stekelenburg D10/40
- D449,541 S * 10/2001 Stekelenburg D10/40

* cited by examiner

Primary Examiner—Doris V. Coles

Assistant Examiner—Elizabeth A. Albert

(74) *Attorney, Agent, or Firm*—Troxell Law Office PLLC

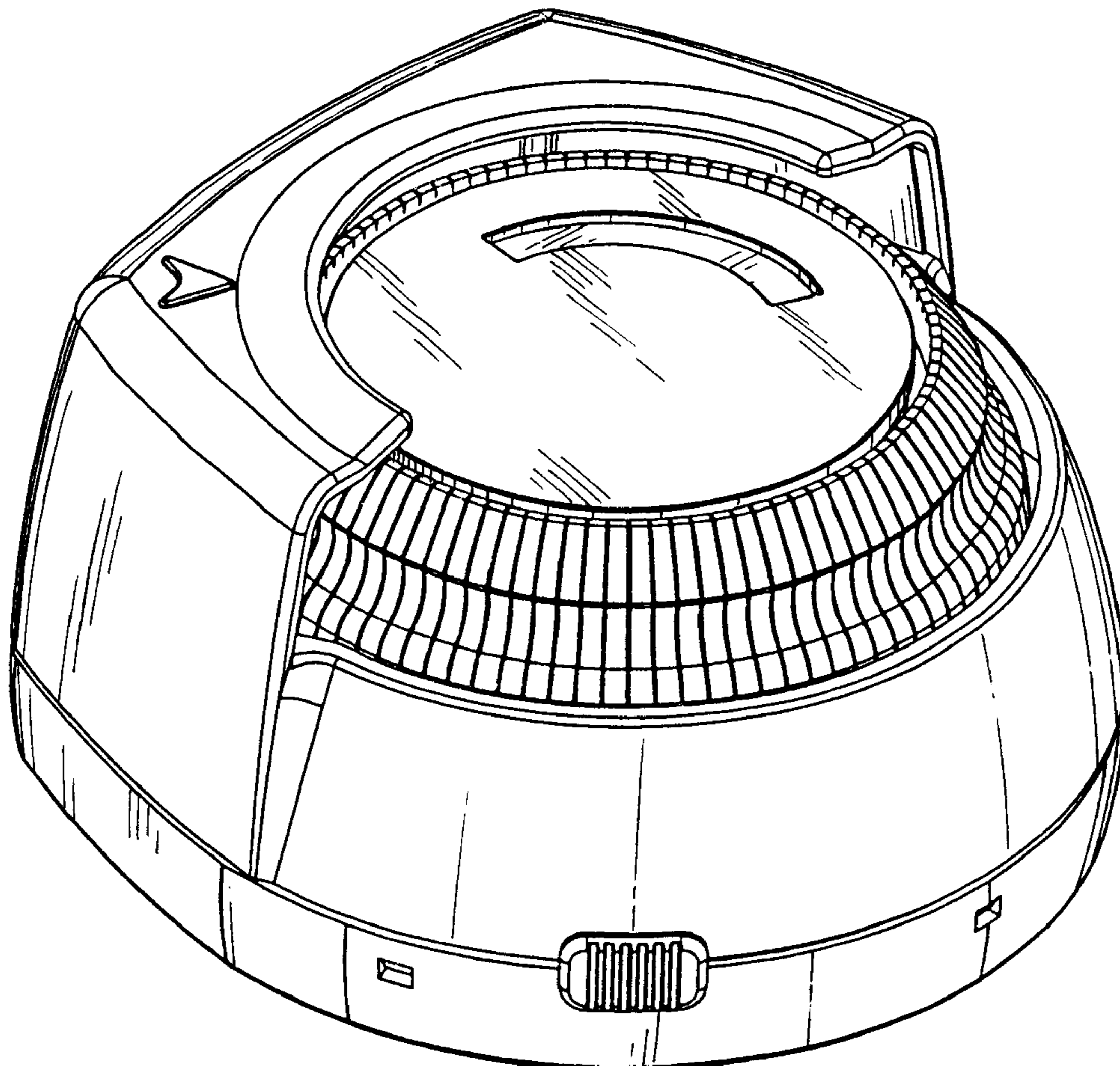
(57) **CLAIM**

The ornamental design for a timer, as shown and described.

DESCRIPTION

FIG. 1 is a top view of a timer showing the preferred embodiment of my new design;
 FIG. 2 is a front view thereof;
 FIG. 3 is a right side elevational view thereof;
 FIG. 4 is a rear view thereof;
 FIG. 5 is a left side elevational view thereof;
 FIG. 6 is a bottom view thereof; and,
 FIG. 7 is a perspective view thereof.

1 Claim, 3 Drawing Sheets



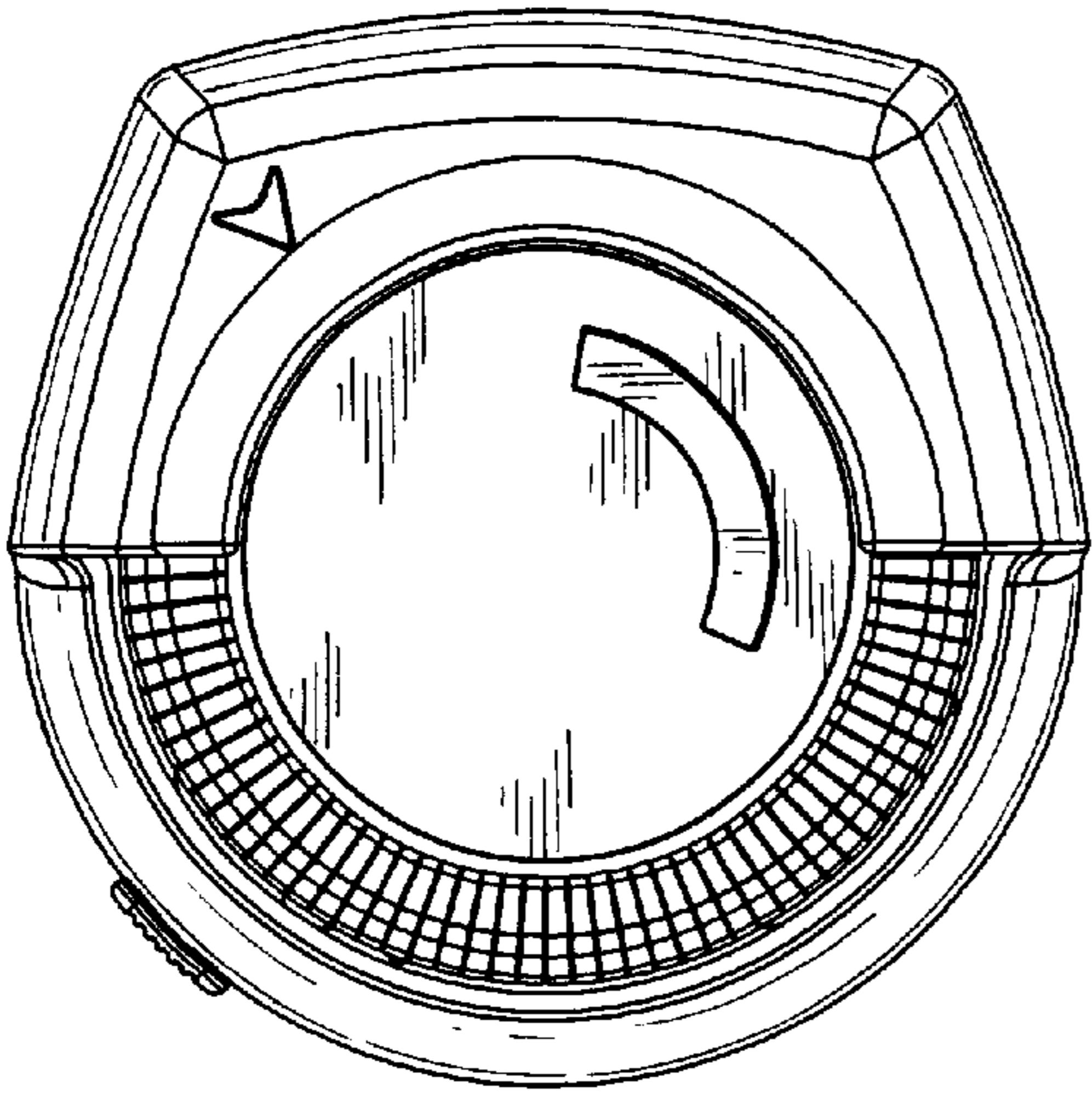


FIG. 1

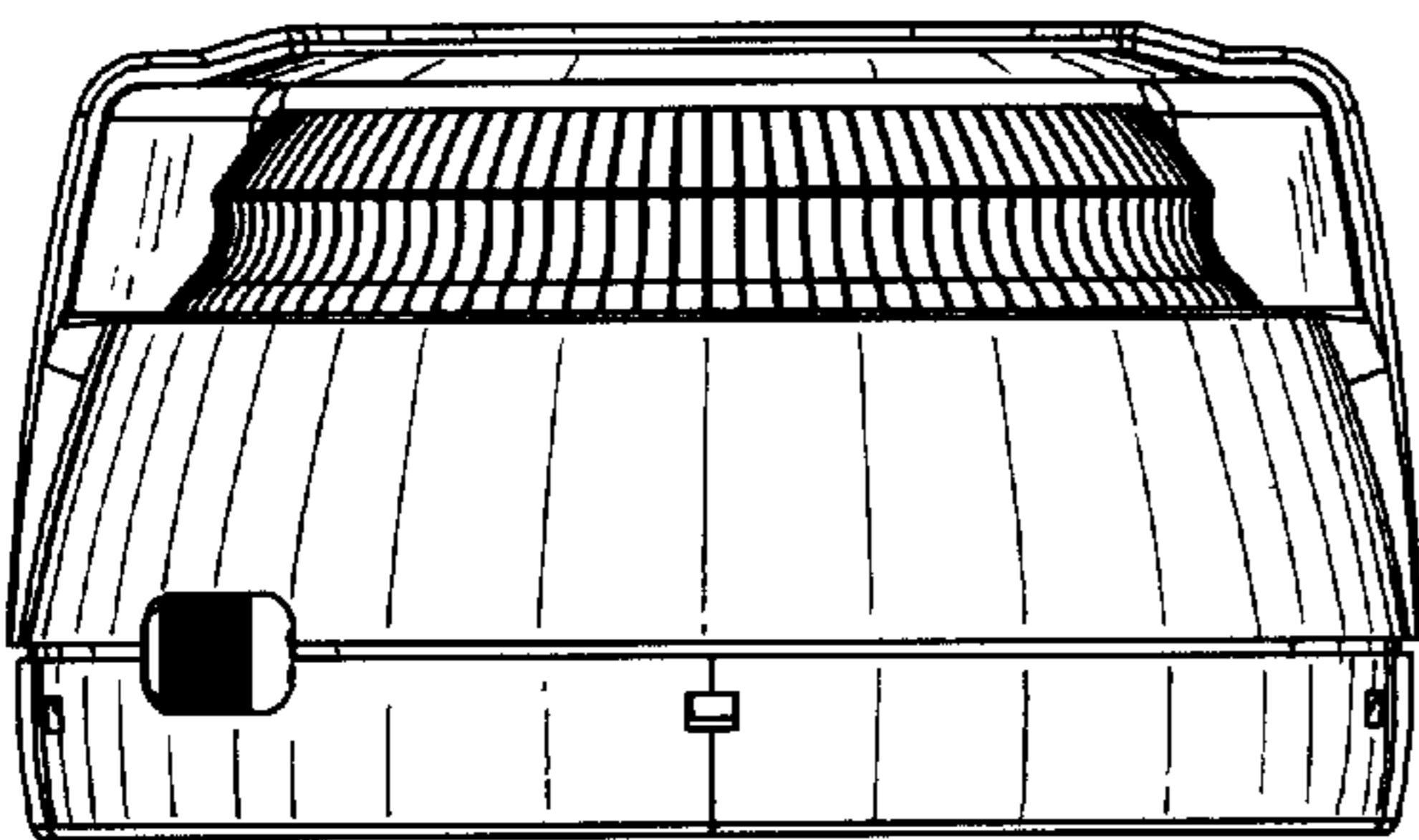


FIG. 2

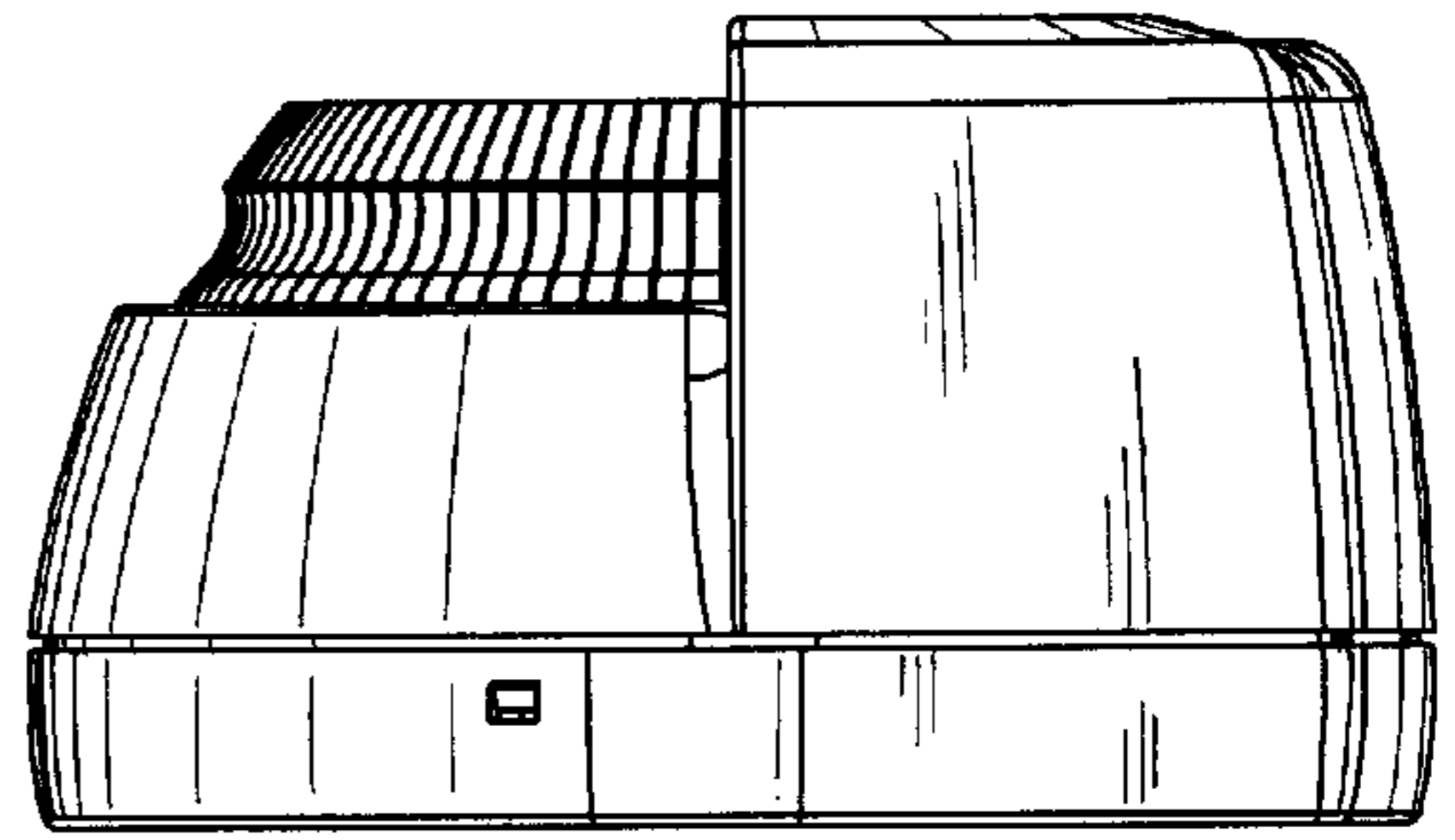


FIG. 3

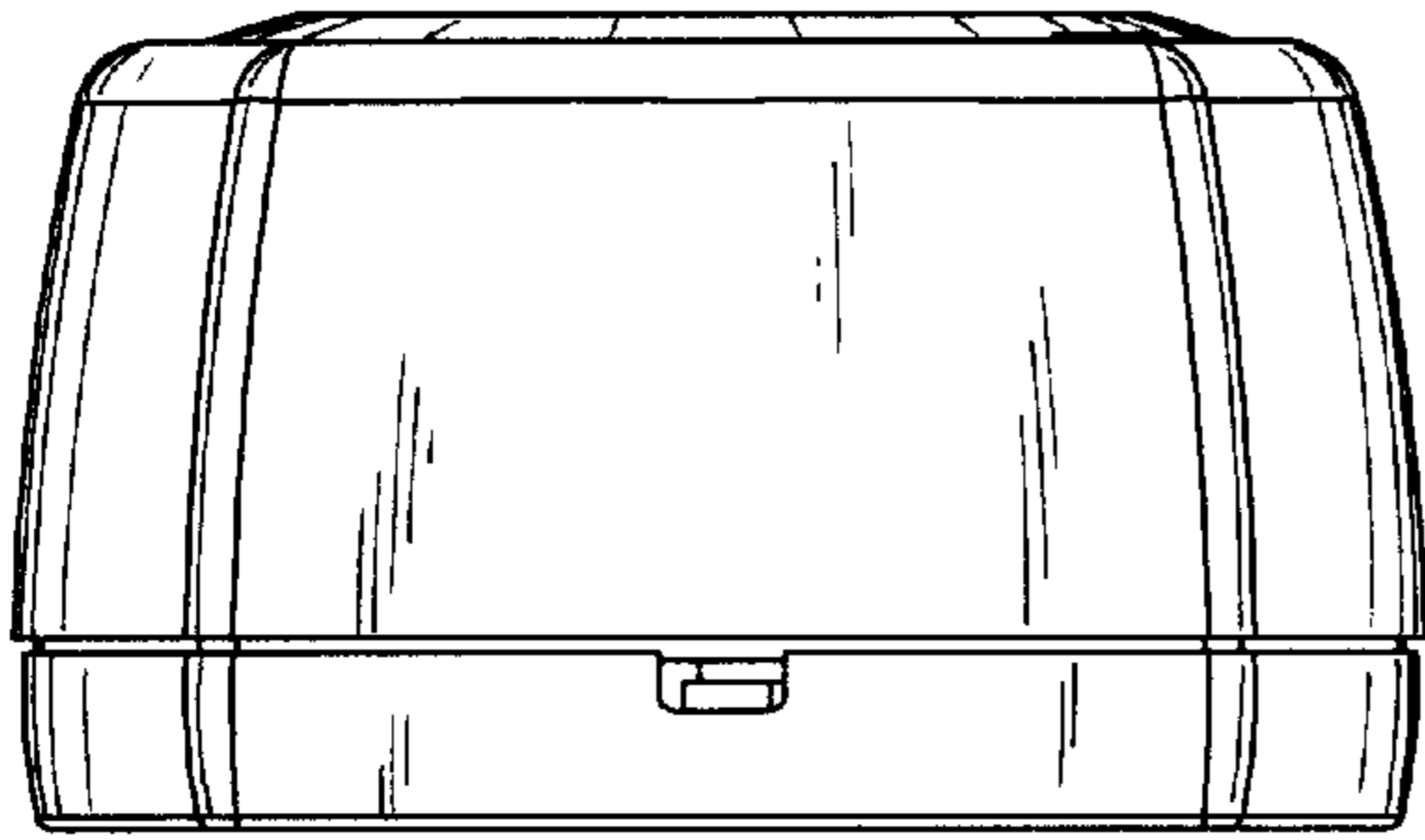


FIG. 4

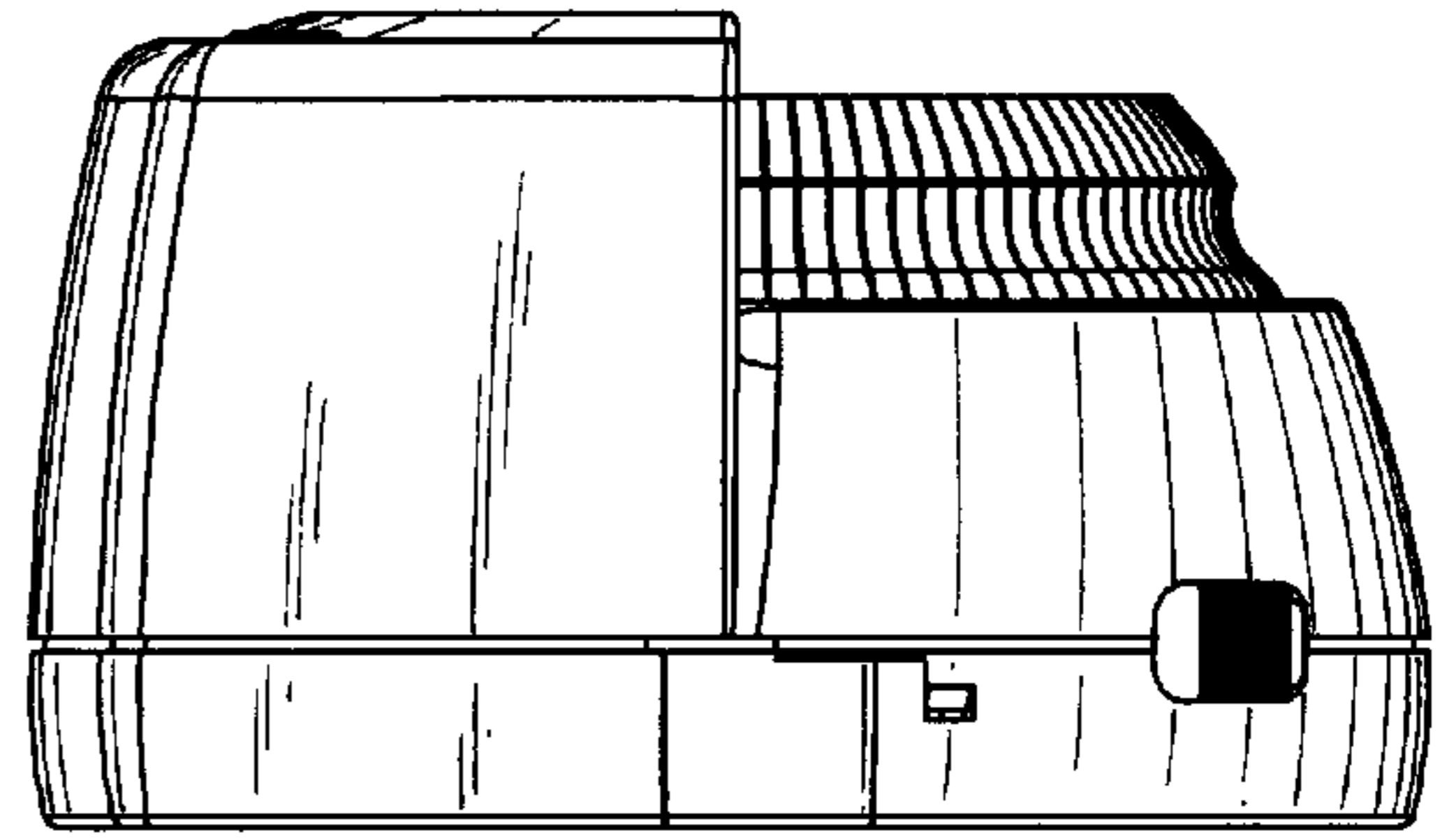


FIG. 5

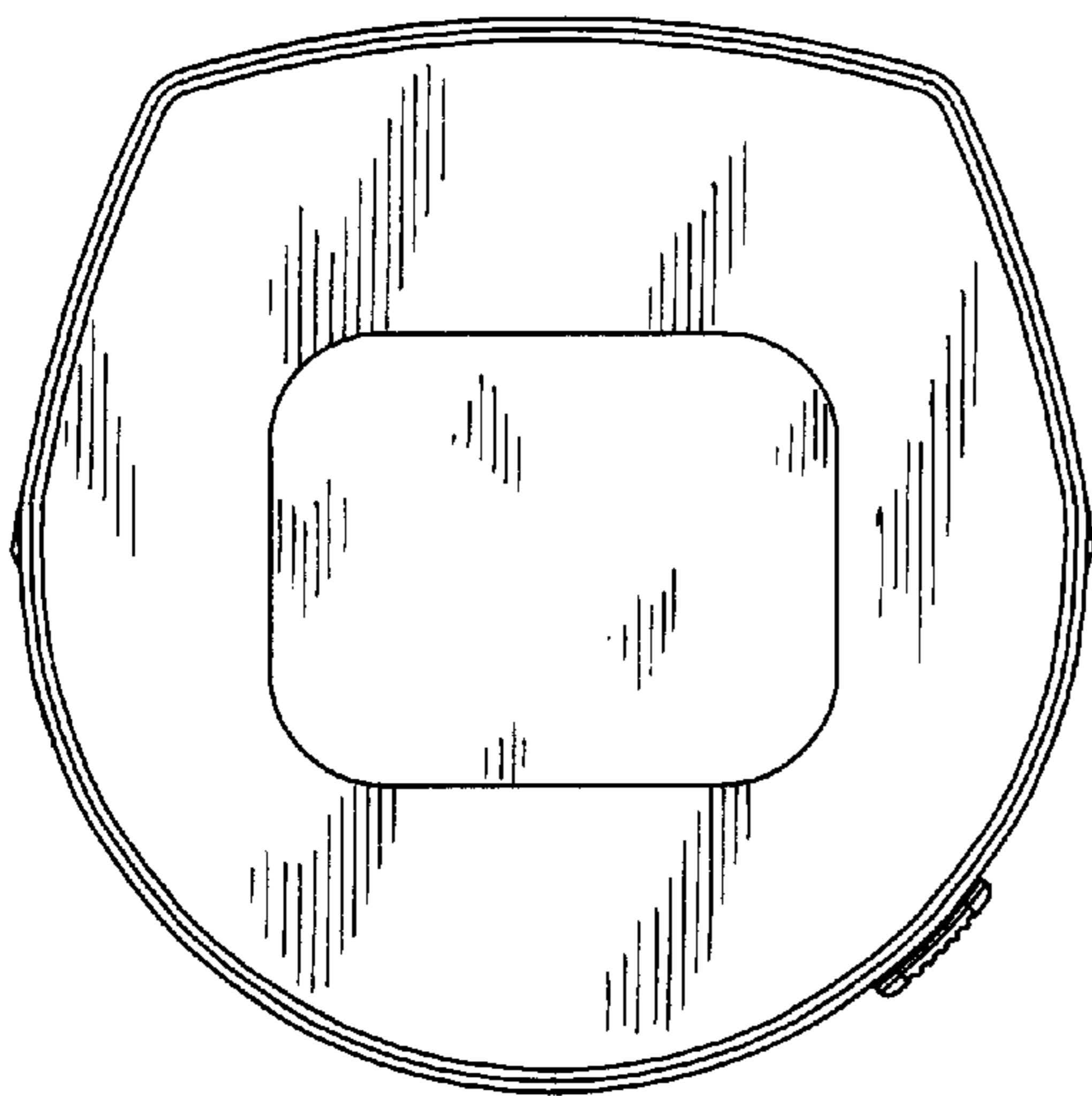


FIG. 6

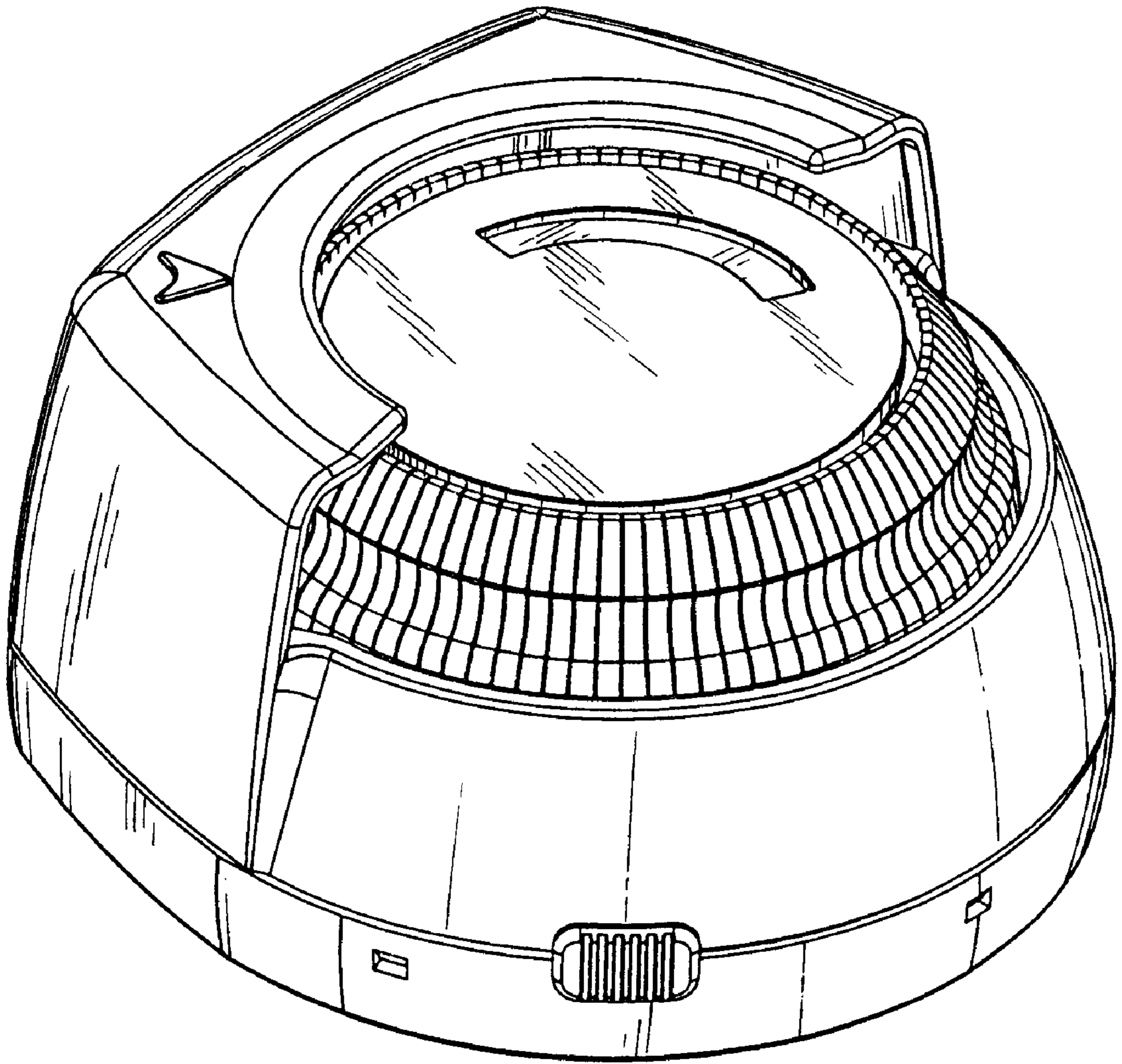


FIG. 7