



US00D454498S

(12) **United States Design Patent**
Darr et al.

(10) **Patent No.:** **US D454,498 S**
(45) **Date of Patent:** **** Mar. 19, 2002**

(54) **BOTTLE BASE**

(75) Inventors: **Richard C. Darr**, Medina; **Marc A. Pedmo**, Litchfield; **James C. Dorn**, Norton, all of OH (US)

(73) Assignee: **Plastipak Packaging, Inc.**, Plymouth, MI (US)

(**) Term: **14 Years**

(21) Appl. No.: **29/147,763**

(22) Filed: **Sep. 5, 2001**

Related U.S. Application Data

(62) Division of application No. 29/132,965, filed on Nov. 16, 2000.

(51) **LOC (7) Cl.** **09-01**

(52) **U.S. Cl.** **D9/520; D9/500**

(58) **Field of Search** D9/434, 500, 502-505, D9/516, 520, 545, 549, 550, 557, 574; 215/381-384, 396, 398, 370-371, 375-376, 378-389; 220/661, 671-672, 675, 770-772, 906

(56) **References Cited**

U.S. PATENT DOCUMENTS

4,134,510 A * 1/1979 Chang 215/373
4,403,706 A * 9/1983 Mahajan 215/373

4,486,043 A * 12/1984 Rais 294/27.1
4,525,401 A * 6/1985 Pockock et al. 428/66.3
4,850,493 A * 7/1989 Howard, Jr. 215/375
4,955,491 A * 9/1990 Marshall et al. 215/12.1
5,047,271 A * 9/1991 Feddersen et al. 428/36.92
5,503,283 A * 4/1996 Semersky 215/375
5,529,196 A * 6/1996 Lane 215/375
5,648,133 A * 7/1997 Suzuki et al. 428/36.92
D391,167 S * 2/1998 Beshara, Jr. D9/531
5,836,469 A * 11/1998 Zebrowski 215/384
D418,058 S * 12/1999 Chatterton et al. D9/434
6,136,354 A * 10/2000 Wood et al. 426/323

* cited by examiner

Primary Examiner—James Gandy

Assistant Examiner—Carol Rademaker

(74) *Attorney, Agent, or Firm*—Bachman & LaPointe, P.C.

(57) **CLAIM**

The ornamental design for a bottle base, as shown and described.

DESCRIPTION

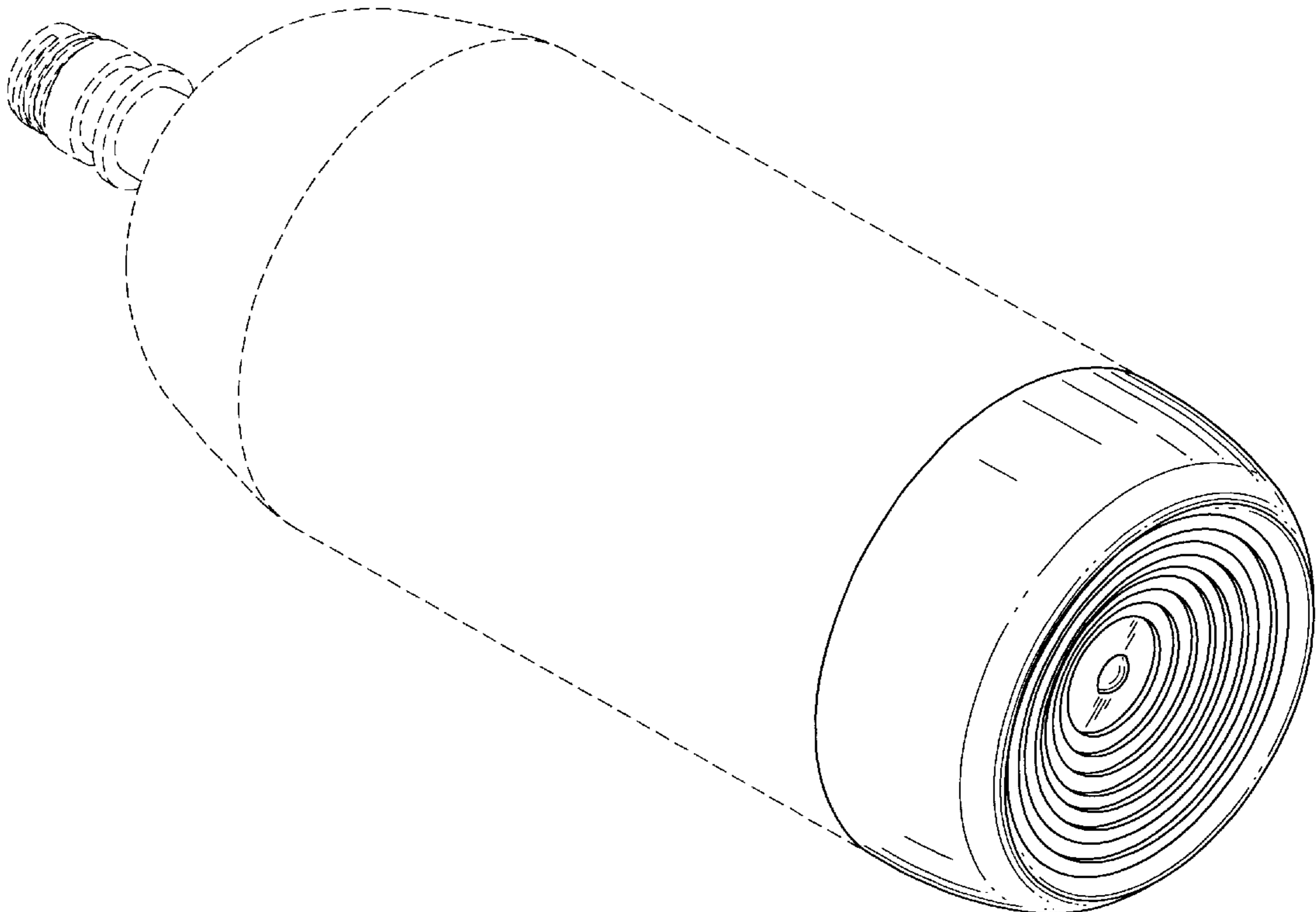
FIG. 1 is a perspective view of the bottle base of the present invention;

FIG. 2 is a side view of the bottle base of FIG. 1;

FIG. 3 is a bottom view of the bottle base of FIG. 1; and, FIG. 4 is a top view of the bottle base of FIG. 1.

The broken line showing in FIGS. 1 & 2 is for illustrative purposes only and forms no part of the claimed design.

1 Claim, 2 Drawing Sheets



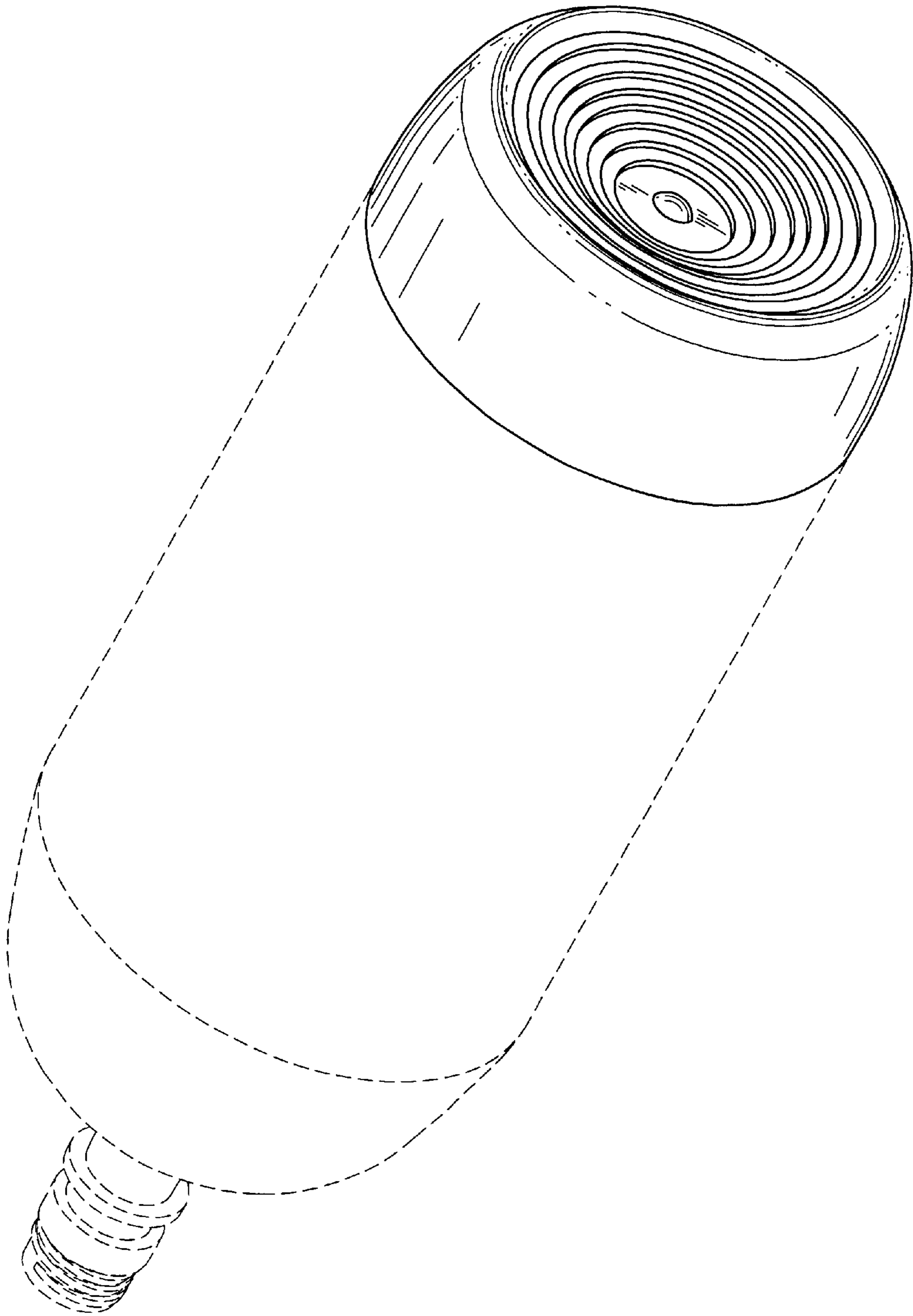


FIG. 1



FIG. 2

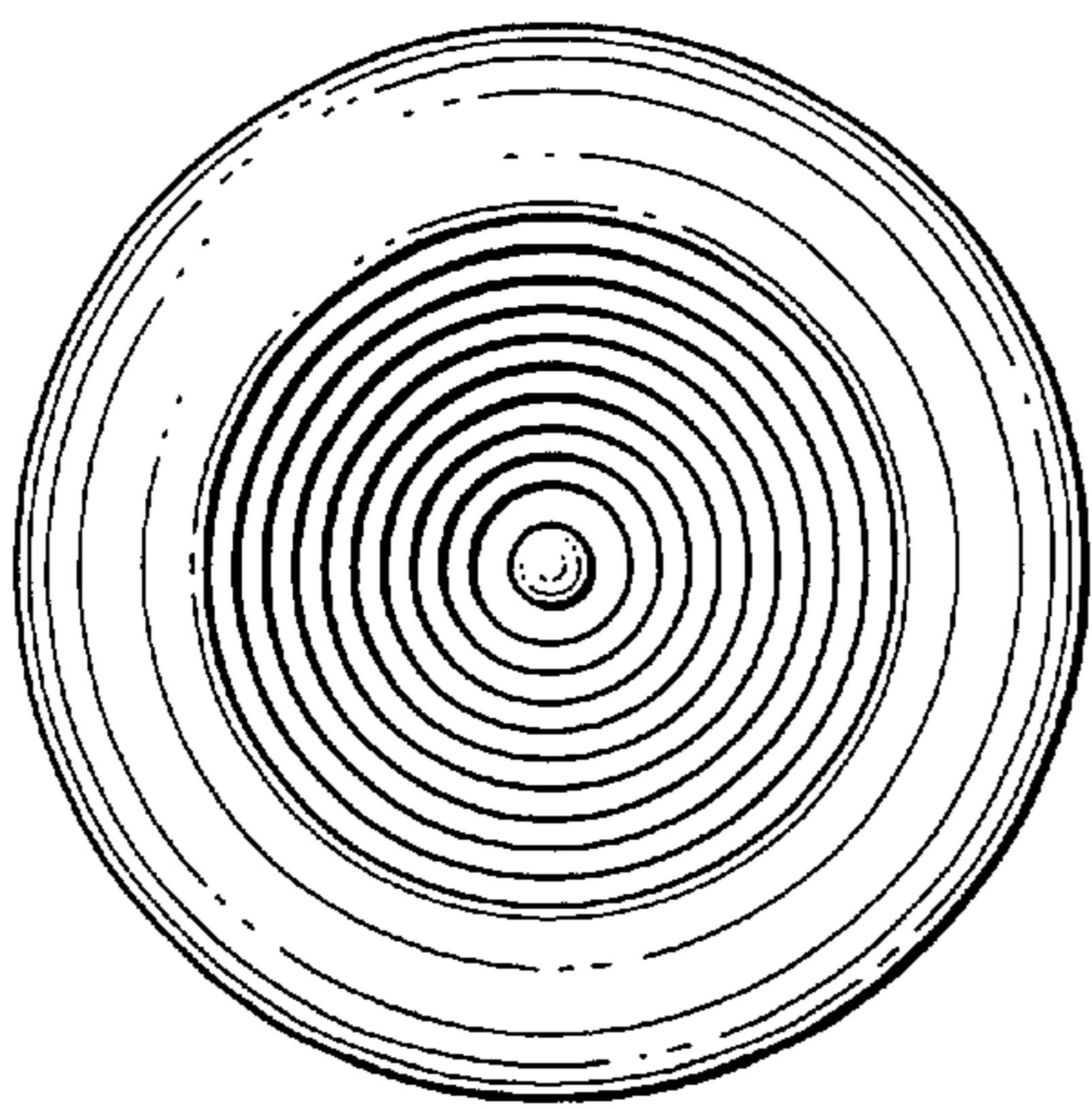


FIG. 3

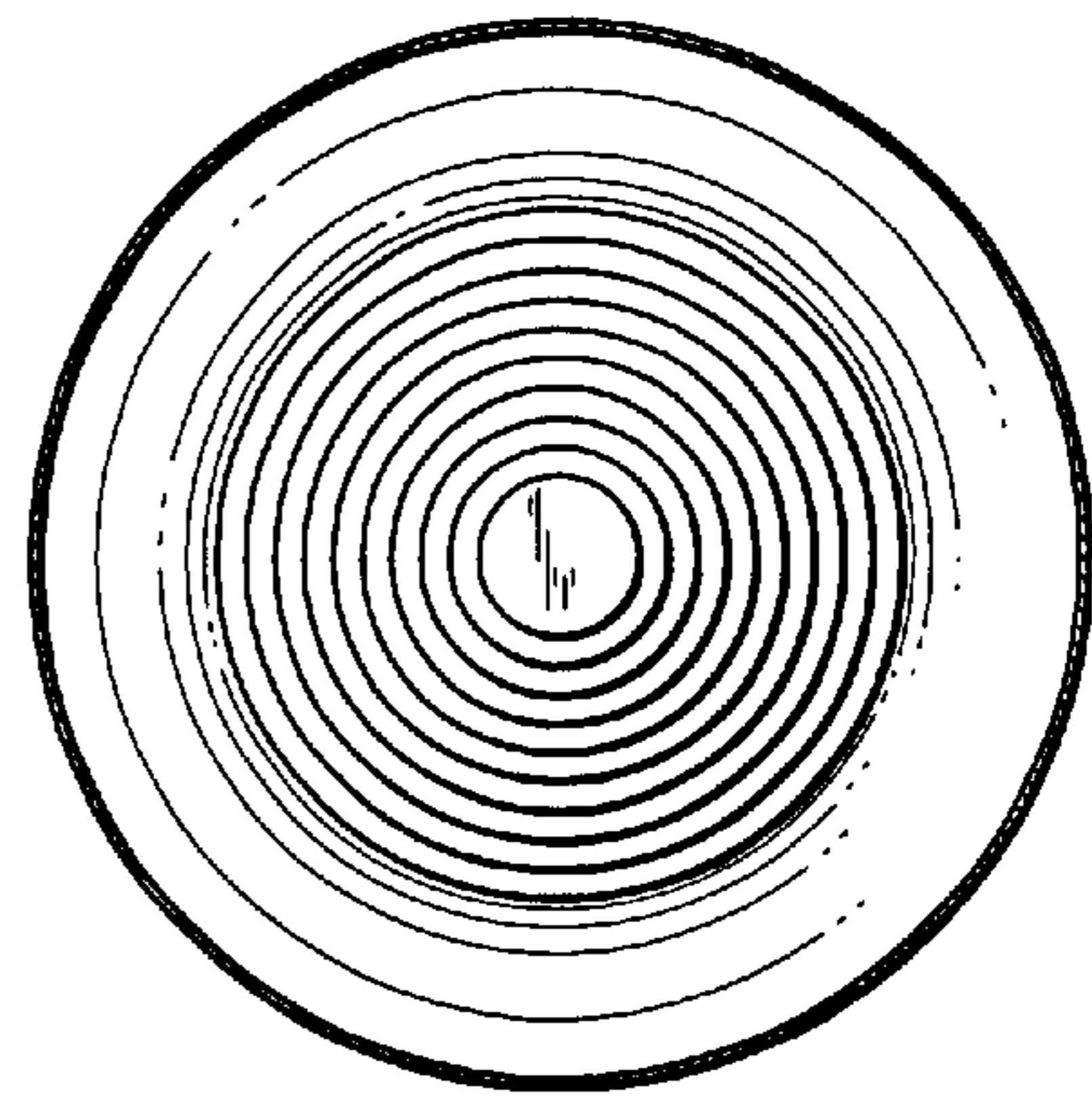


FIG. 4