



US00D454497S

(12) **United States Design Patent**
Darr et al.

(10) **Patent No.:** **US D454,497 S**
(45) **Date of Patent:** **** Mar. 19, 2002**

(54) **BOTTLE**

(75) Inventors: **Richard C. Darr**, Medina; **Marc A. Pedmo**, Litchfield; **James C. Dorn**, Norton, all of OH (US)

(73) Assignee: **Plastipak Packaging, Inc.**, Plymouth, MI (US)

(**) Term: **14 Years**

(21) Appl. No.: **29/136,259**

(22) Filed: **Jan. 26, 2001**

| | | | | |
|-------------|---|---------|------------------------|-----------|
| 4,426,013 A | * | 1/1984 | Cherchian et al. | D9/520 X |
| 4,486,043 A | * | 12/1984 | Rais | 215/396 X |
| 4,525,401 A | * | 6/1985 | Pocock et al. | 215/373 X |
| 4,850,493 A | * | 7/1989 | Howard, Jr. | 215/375 |
| 4,955,491 A | * | 9/1990 | Marshall et al. | 215/386 X |
| 5,047,271 A | * | 9/1991 | Feddersen et al. | 215/373 X |
| D345,693 S | * | 4/1994 | Edstrom | D9/538 X |
| 5,503,283 A | * | 4/1996 | Semersky | 215/375 |
| 5,529,196 A | * | 6/1996 | Lane | 215/375 |
| 5,648,133 A | * | 7/1997 | Suzuki et al. | 215/370 X |
| D391,167 S | * | 2/1998 | Beshara, Jr. | D9/531 |
| 5,727,710 A | * | 3/1998 | Severus et al. | 220/906 X |
| 5,836,469 A | * | 11/1998 | Zebrowski | 215/384 |
| D418,058 S | * | 12/1999 | Chatterton et al. | D9/434 |
| 6,136,354 A | * | 10/2000 | Wood et al. | 215/371 X |

Related U.S. Application Data

(63) Continuation-in-part of application No. 29/132,963, filed on Nov. 16, 2000.

(51) **LOC (7) Cl.** **09-01**

(52) **U.S. Cl.** **D9/500**; D9/520

(58) **Field of Search** D9/434, 500, 502-505, D9/516, 520, 545, 549, 550, 557, 574; 215/381-384, 396, 398, 370-371, 375-376, 378-379; 220/661, 671-672, 675, 770-772, 906

(56) **References Cited**

U.S. PATENT DOCUMENTS

| | | | | |
|-------------|---|---------|------------------|-----------|
| 2,988,258 A | * | 6/1961 | Witzke | D7/523 |
| 3,043,461 A | * | 7/1962 | Glassco | 215/375 |
| 3,372,826 A | * | 3/1968 | Heaton | 215/372 |
| 3,403,804 A | * | 10/1968 | Colombo | 215/375 |
| 4,134,510 A | * | 1/1979 | Chang | 215/373 |
| 4,241,839 A | * | 12/1980 | Alberghini | 215/372 X |
| 4,403,706 A | * | 9/1983 | Mahajan | 215/373 |

* cited by examiner

Primary Examiner—Ted Shooman

Assistant Examiner—Carol Rademaker

(74) *Attorney, Agent, or Firm*—Bachman & LaPointe, P.C.

(57) **CLAIM**

The ornamental design for a bottle, as shown and described.

DESCRIPTION

FIG. 1 is a perspective view of the bottle of the present invention;

FIG. 2 is a side view of the bottle of FIG. 1;

FIG. 3 is a bottom view of the bottle of FIG. 1;

FIG. 4 is a top view of the bottle of FIG. 1;

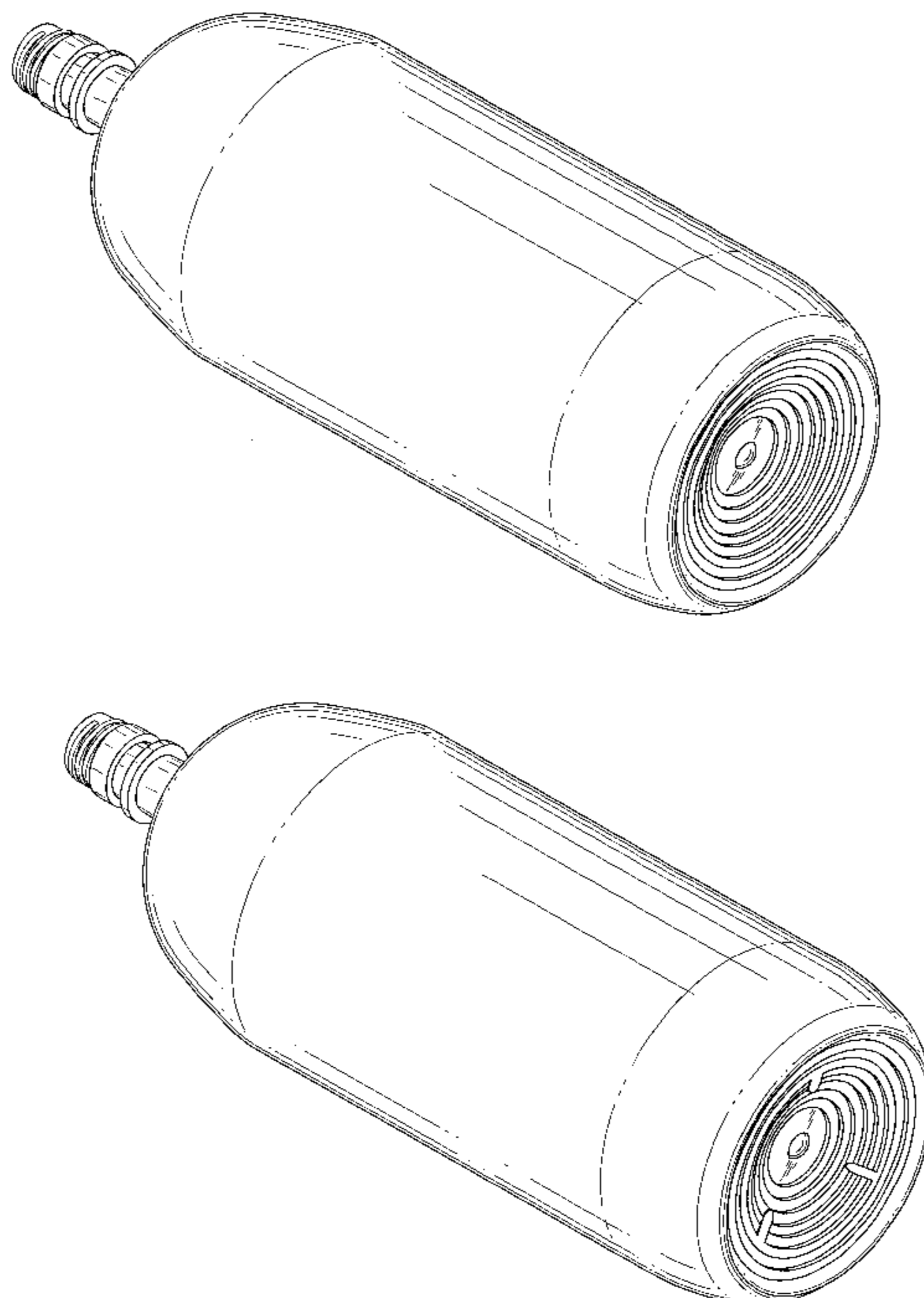
FIG. 5 is a perspective view of a second embodiment of the bottle of the present invention;

FIG. 6 is a side view of the bottle of FIG. 5;

FIG. 7 is a bottom view of the bottle of FIG. 5; and,

FIG. 8 is a top view of the bottle of FIG. 5.

1 Claim, 4 Drawing Sheets



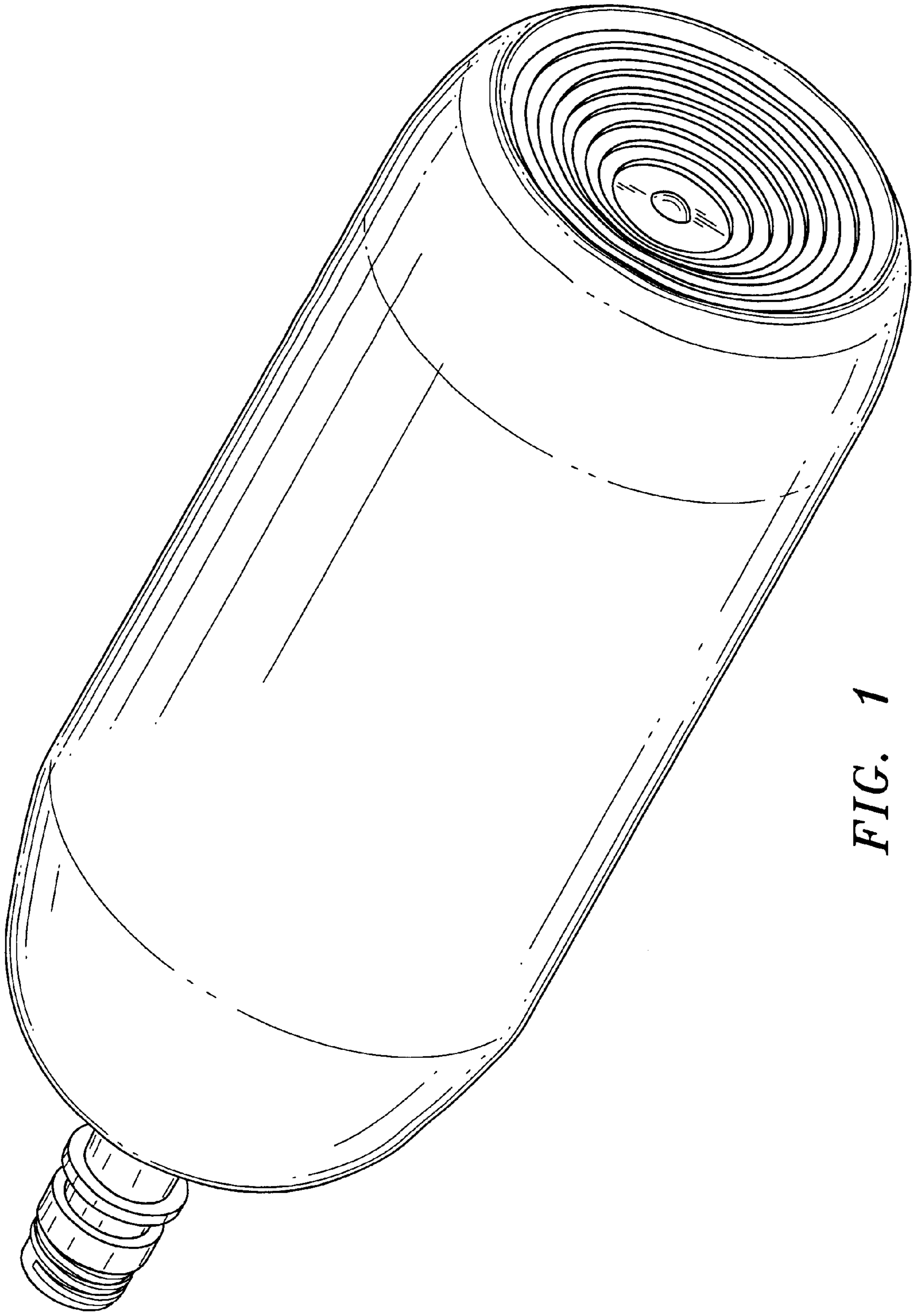


FIG. 1

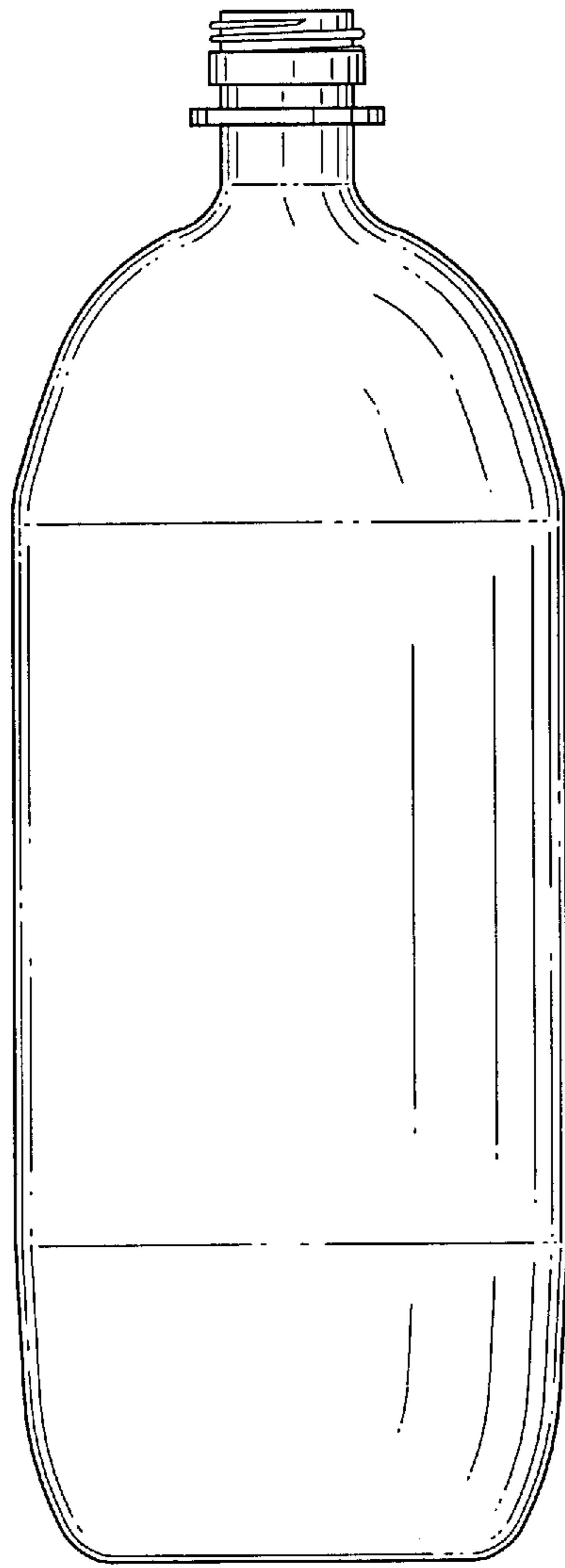


FIG. 2

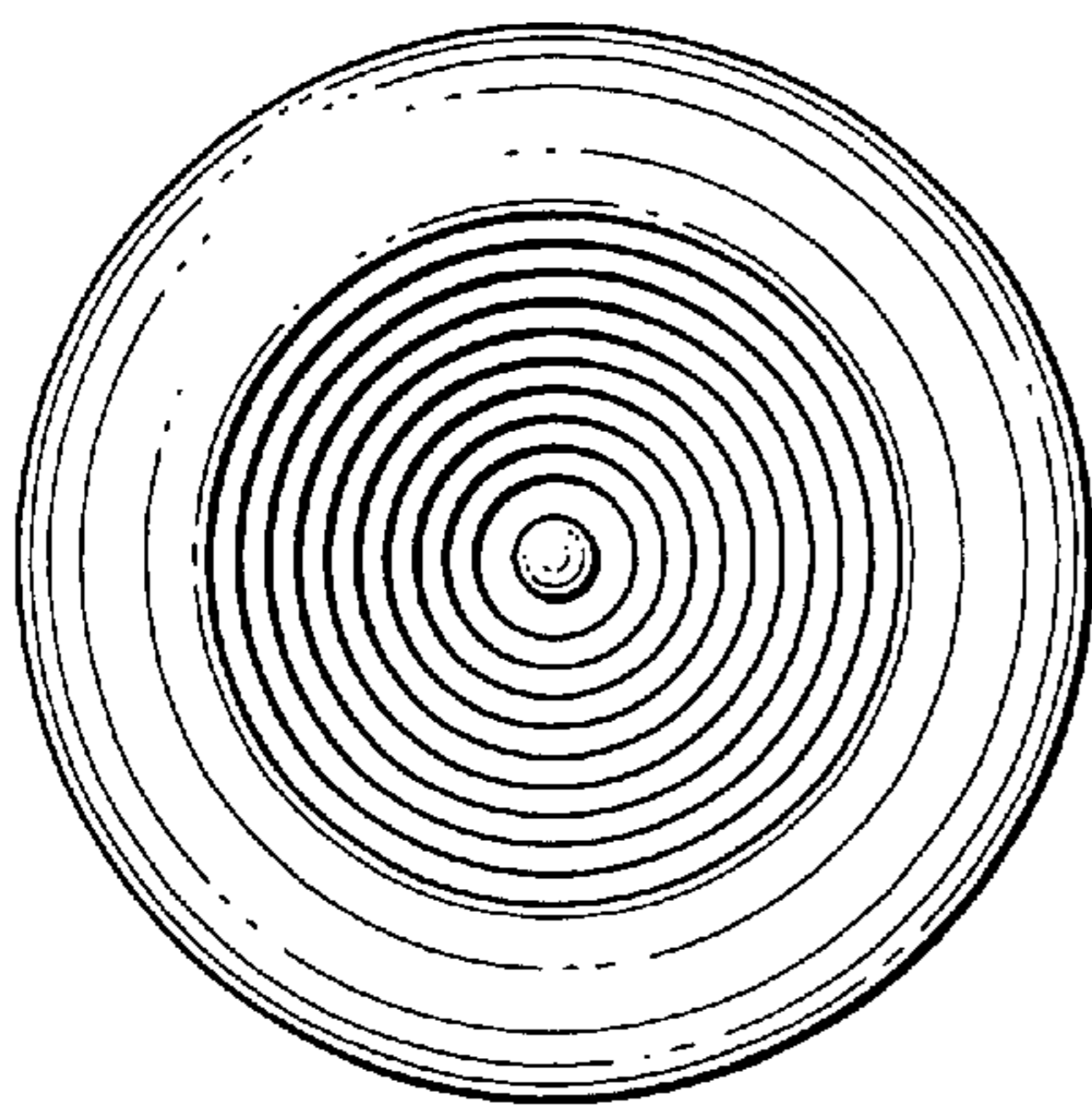


FIG. 3

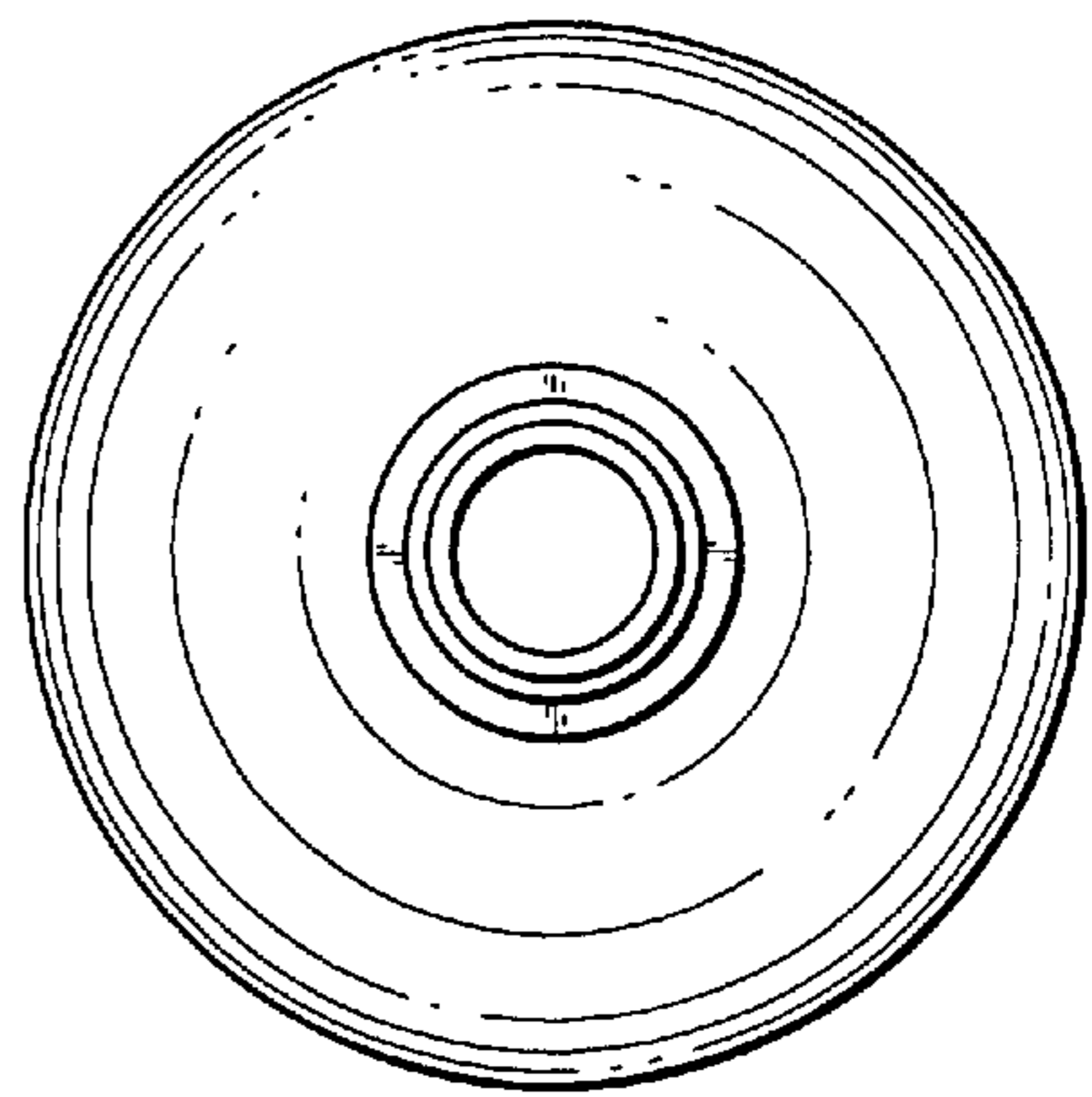


FIG. 4

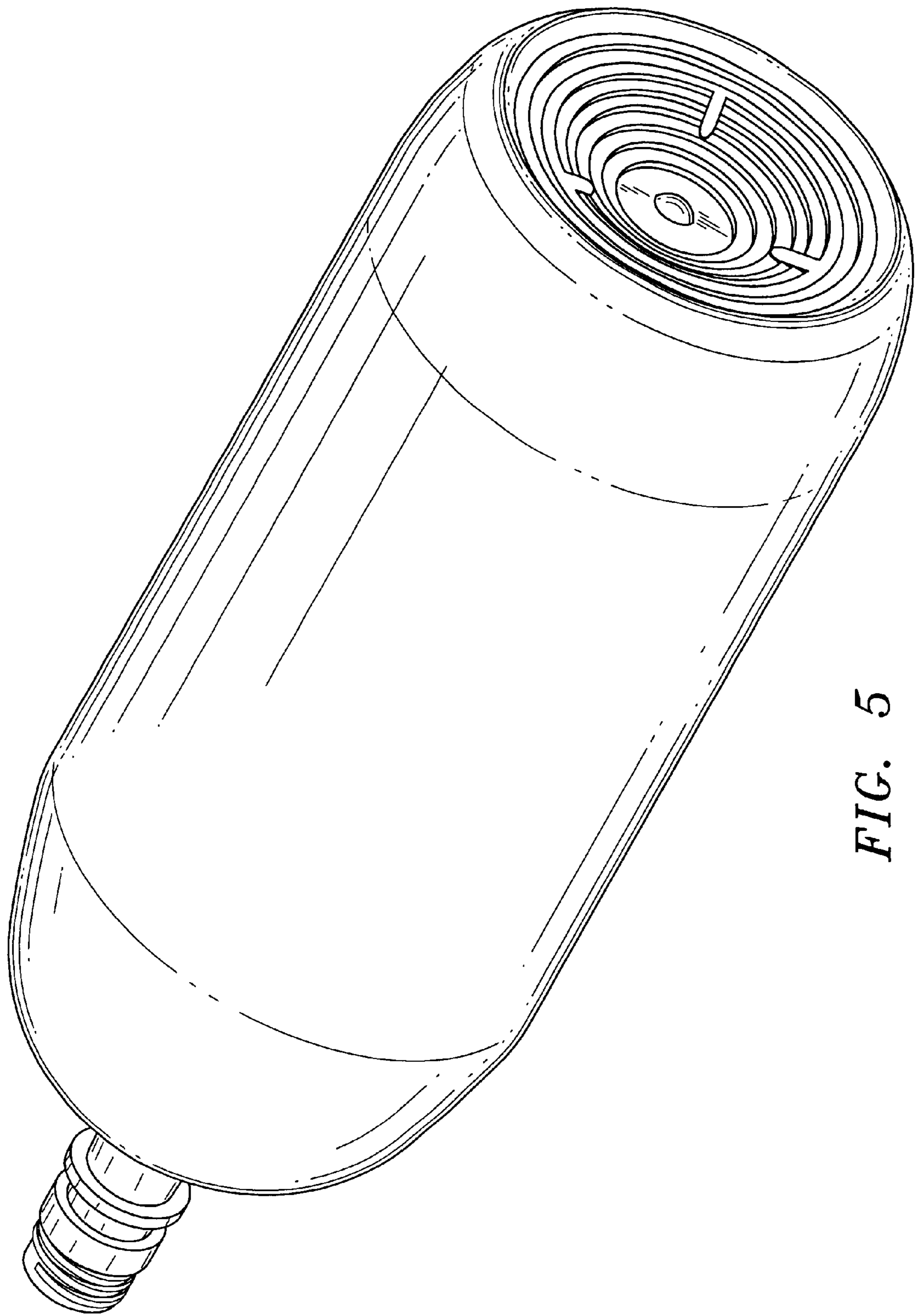


FIG. 5

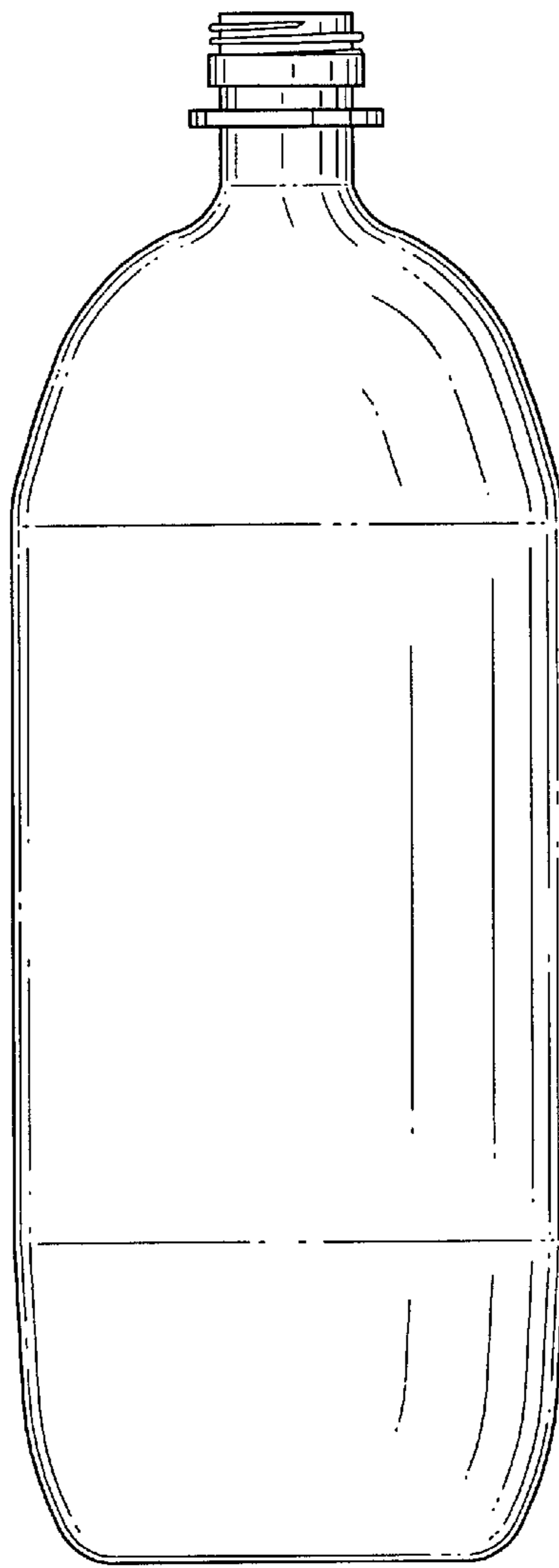


FIG. 6

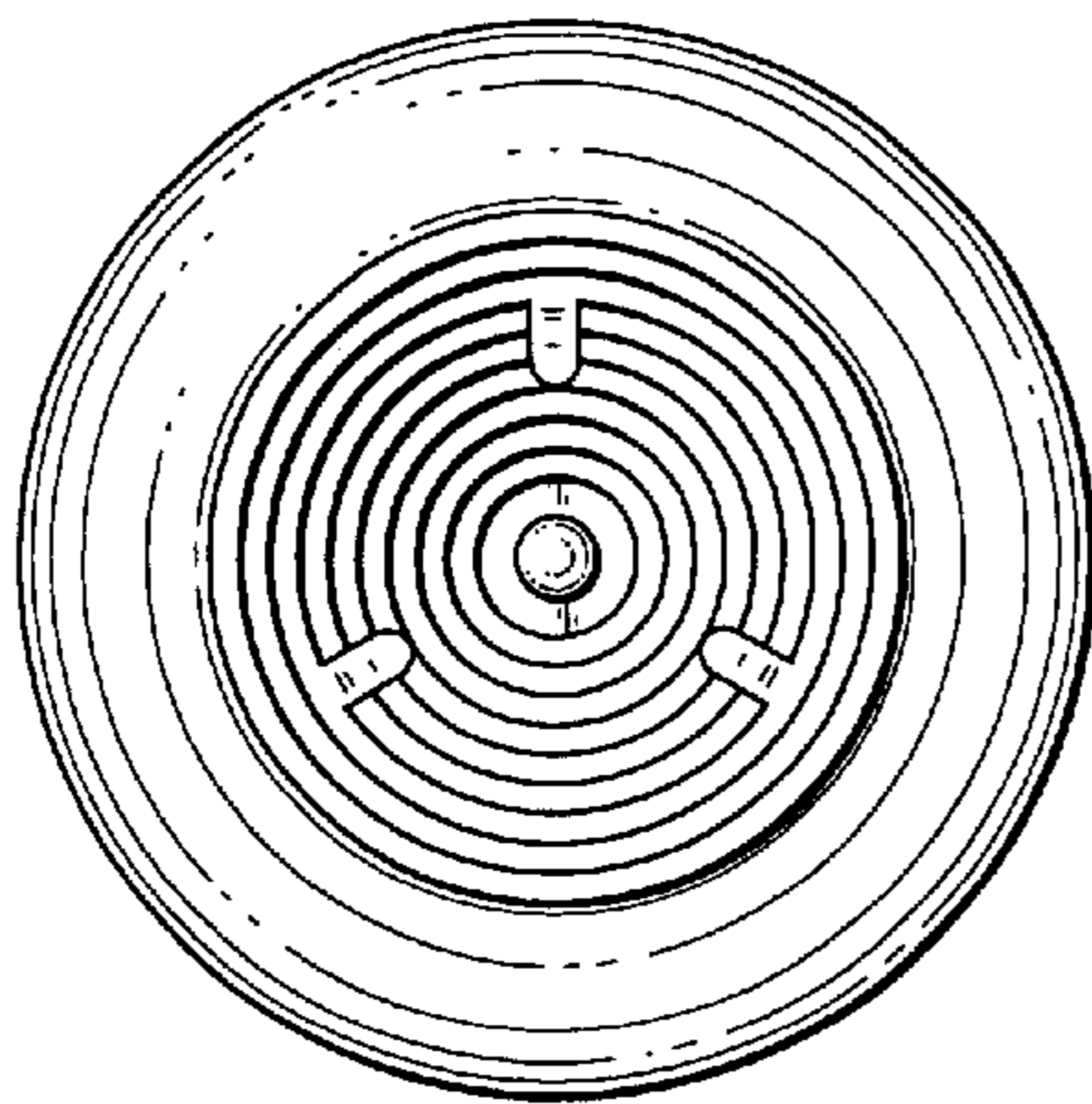


FIG. 7

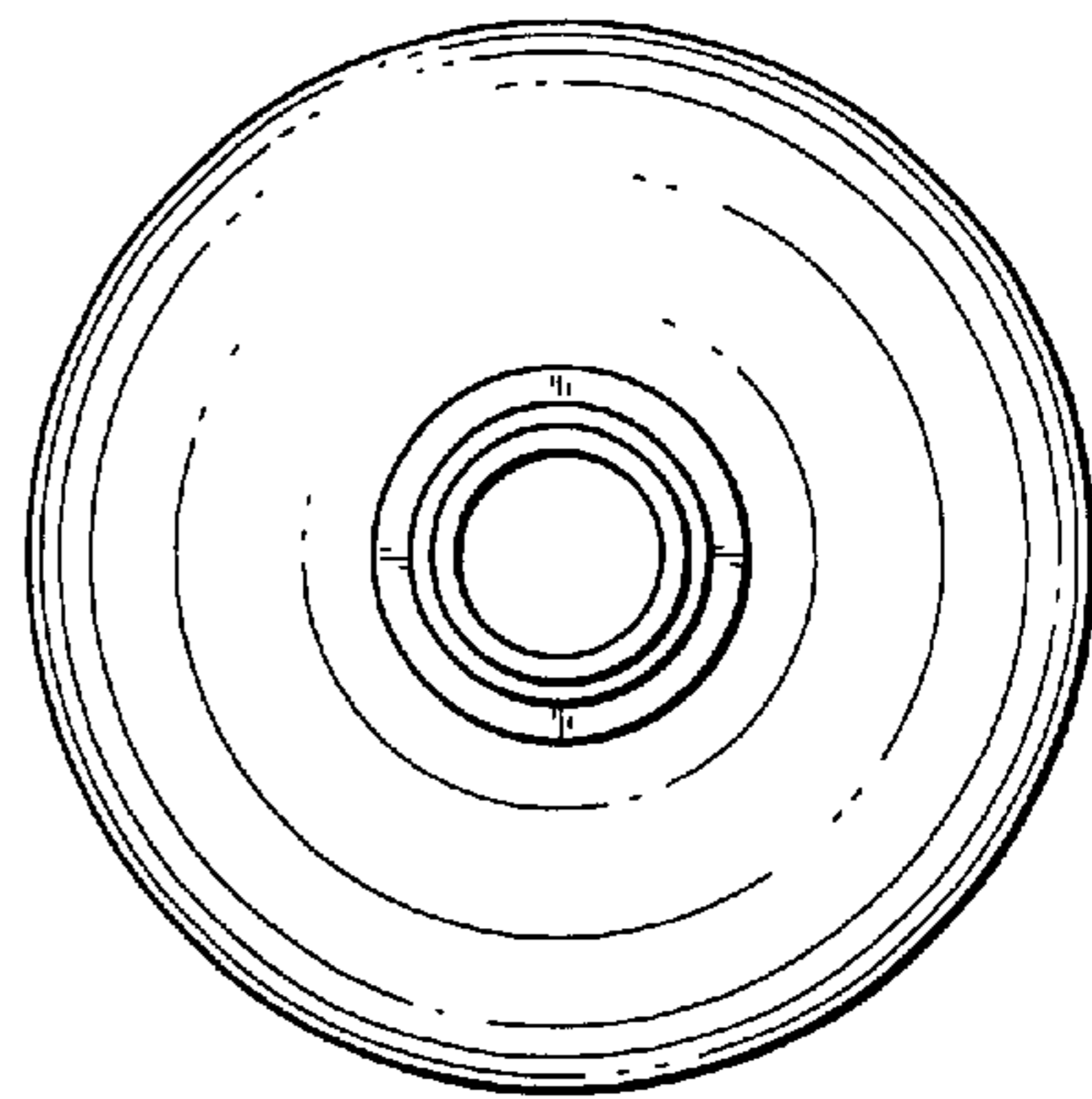


FIG. 8