



US00D454493S

(12) **United States Design Patent**
Chung

(10) **Patent No.:** **US D454,493 S**

(45) **Date of Patent:** **** Mar. 19, 2002**

(54) **PACKAGING BOX FOR OPTICAL COMPONENTS**

(75) **Inventor:** **Yueh Liang Chung, Tu-Chen (TW)**

(73) **Assignee:** **Hon Hai Precision Ind. Co., Ltd., Taipei Hsien (TW)**

(**) **Term:** **14 Years**

(21) **Appl. No.:** **29/138,089**

(22) **Filed:** **Mar. 5, 2001**

(30) **Foreign Application Priority Data**

Dec. 30, 2000 (TW) 089308672

(51) **LOC (7) Cl.** **09-03**

(52) **U.S. Cl.** **D9/423; D3/263**

(58) **Field of Search** D9/420, 423, 424, D9/425, 432, 337, 341, 346, 418; D3/263-266, 901; 206/5, 5.1, 6, 6.1, 730, 581; 220/500, 501, 553, 253, 836, 837, 376

(56) **References Cited**

U.S. PATENT DOCUMENTS

3,394,717 A	*	7/1968	Hollinger	206/5
5,249,675 A	*	10/1993	Strauss et al.	206/5
5,503,858 A	*	4/1996	Reskow	426/119
D397,551 S	*	9/1998	Shefler	D3/263

5,833,053 A	*	11/1998	Wood et al.	206/5
5,915,545 A	*	6/1999	Shackel et al.	206/5
5,921,383 A	*	7/1999	Hsefler et al.	206/5
D414,036 S	*	9/1999	Conway	D3/263
D417,391 S	*	12/1999	Szczepanski et al.	D9/423
D439,404 S	*	3/2001	Dar	D3/263

* cited by examiner

Primary Examiner—Prabhakar Deshmukh

(74) *Attorney, Agent, or Firm*—Wei Te Chung

(57) **CLAIM**

The ornamental design for a packaging box for optical components, as shown.

DESCRIPTION

FIG. 1 is a front, top and right side perspective view of a packaging box for optical components showing my new design;

FIG. 2 is a right elevational view thereof;

FIG. 3 is a left elevational view thereof;

FIG. 4 is a rear side elevational view thereof;

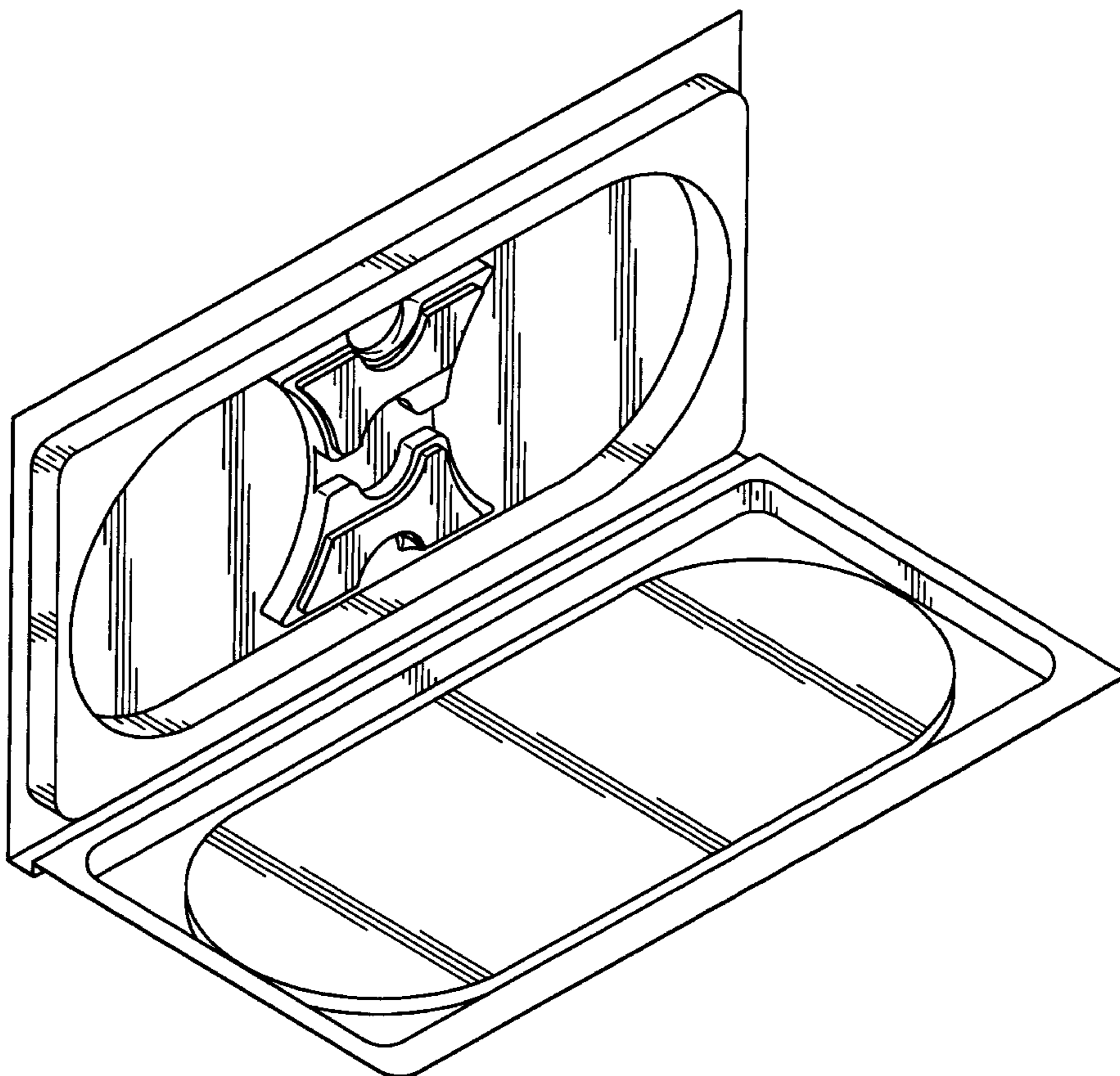
FIG. 5 is a front side elevational view thereof;

FIG. 6 is a top plan view thereof; and

FIG. 7 is a bottom plan view thereof; and,

FIG. 8 is a perspective view showing the packaging box for optical components in an open condition.

1 Claim, 5 Drawing Sheets



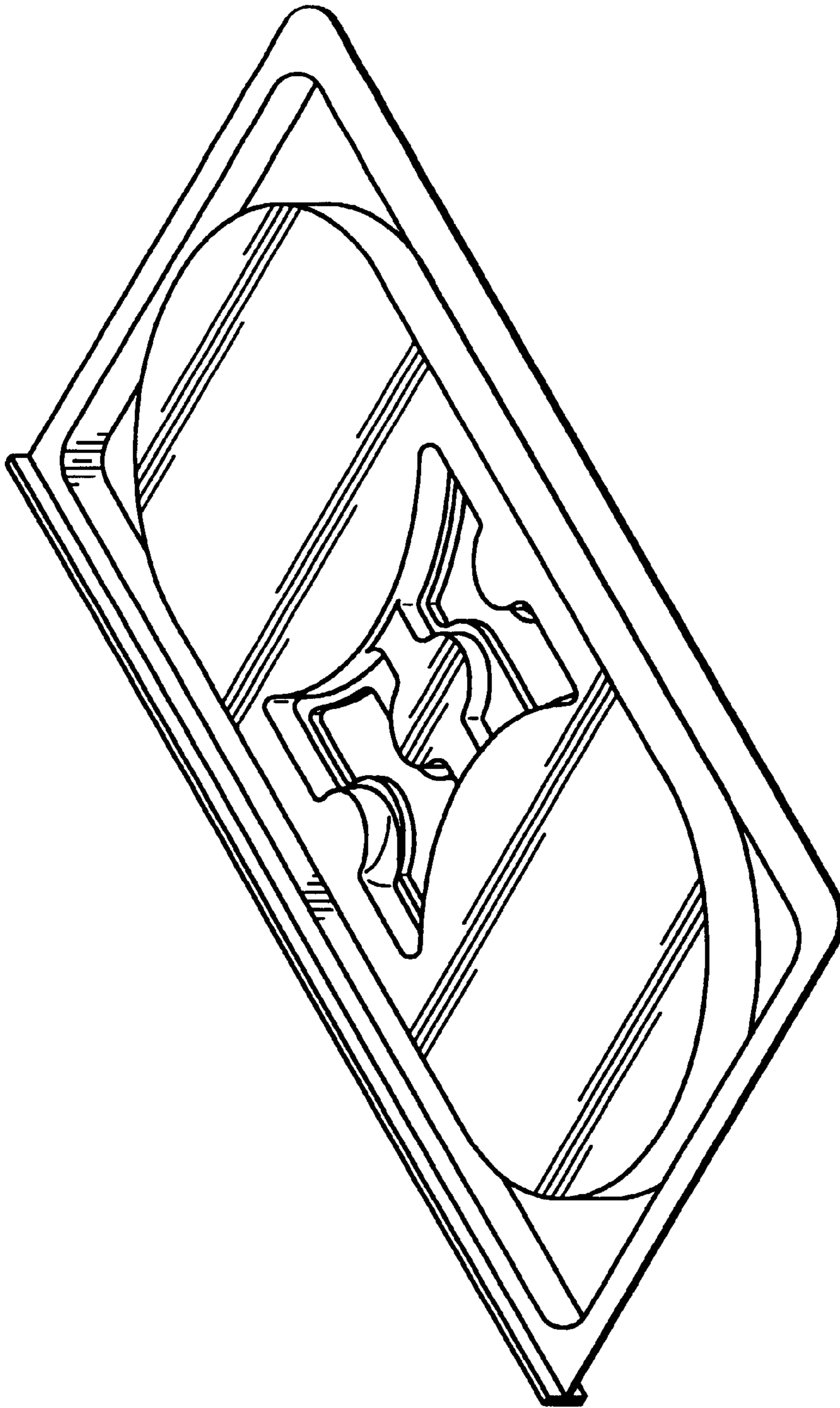


FIG. 1



FIG. 2



FIG. 3



FIG. 4



FIG. 5

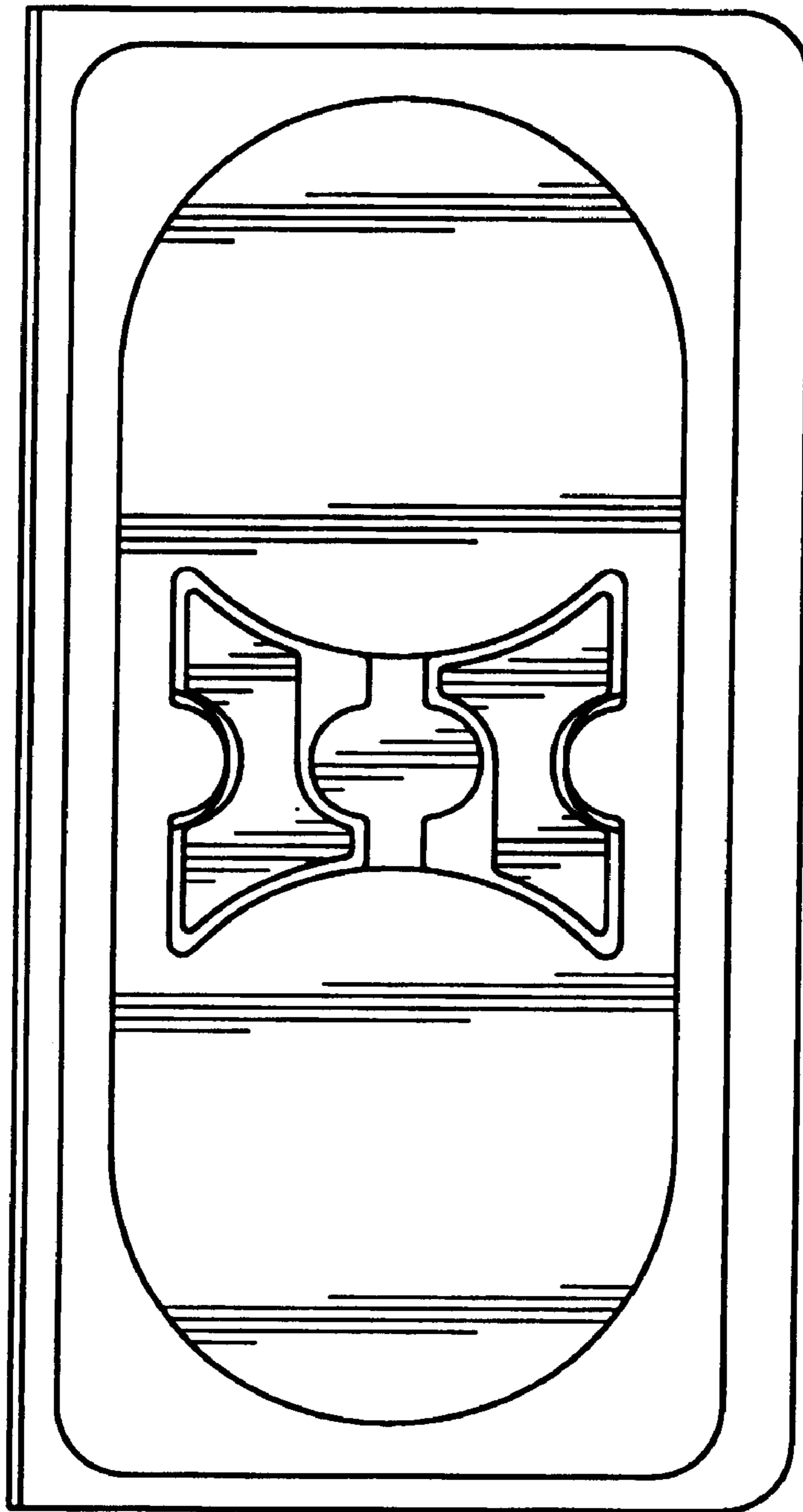


FIG. 6

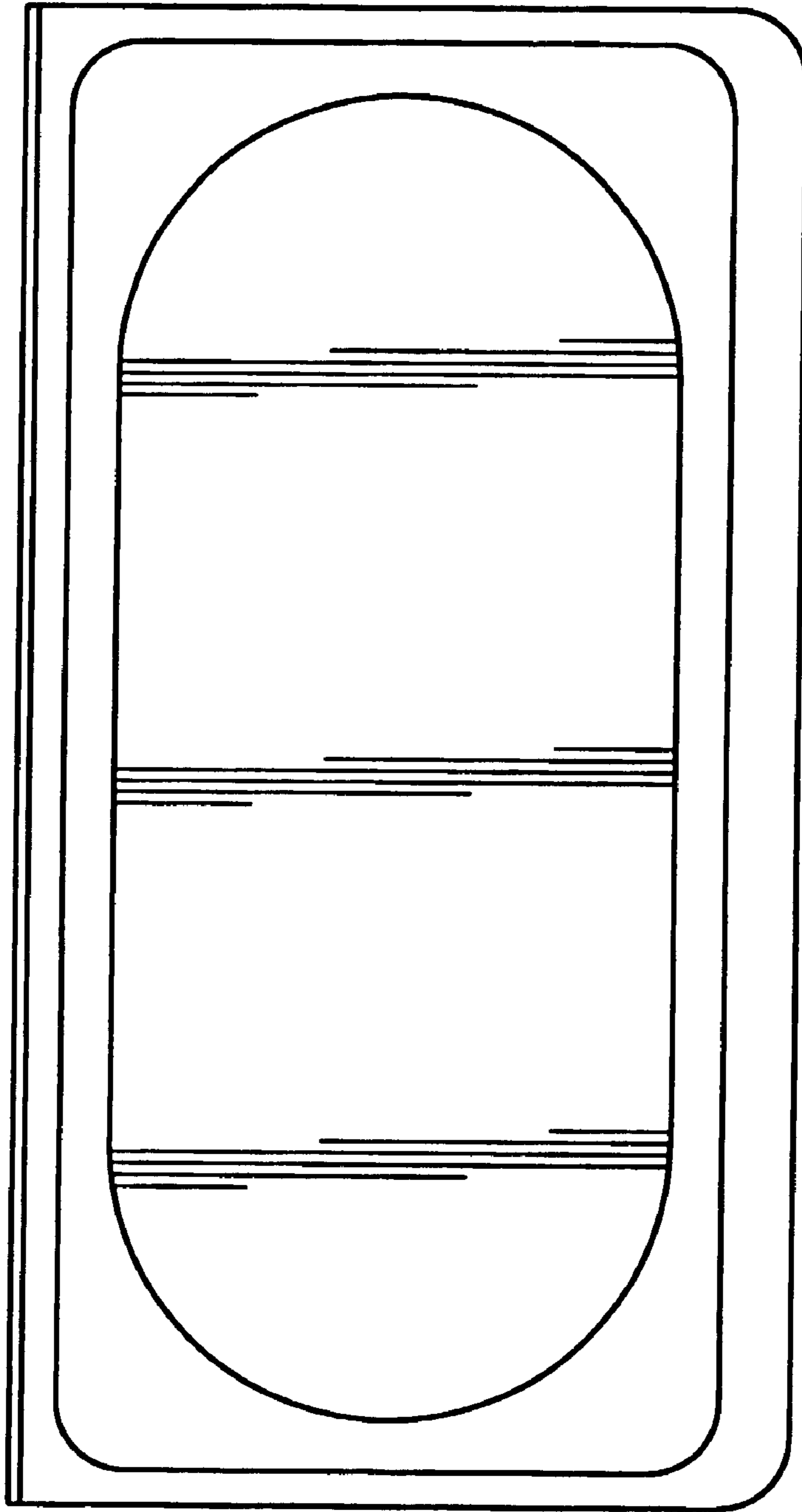


FIG. 7

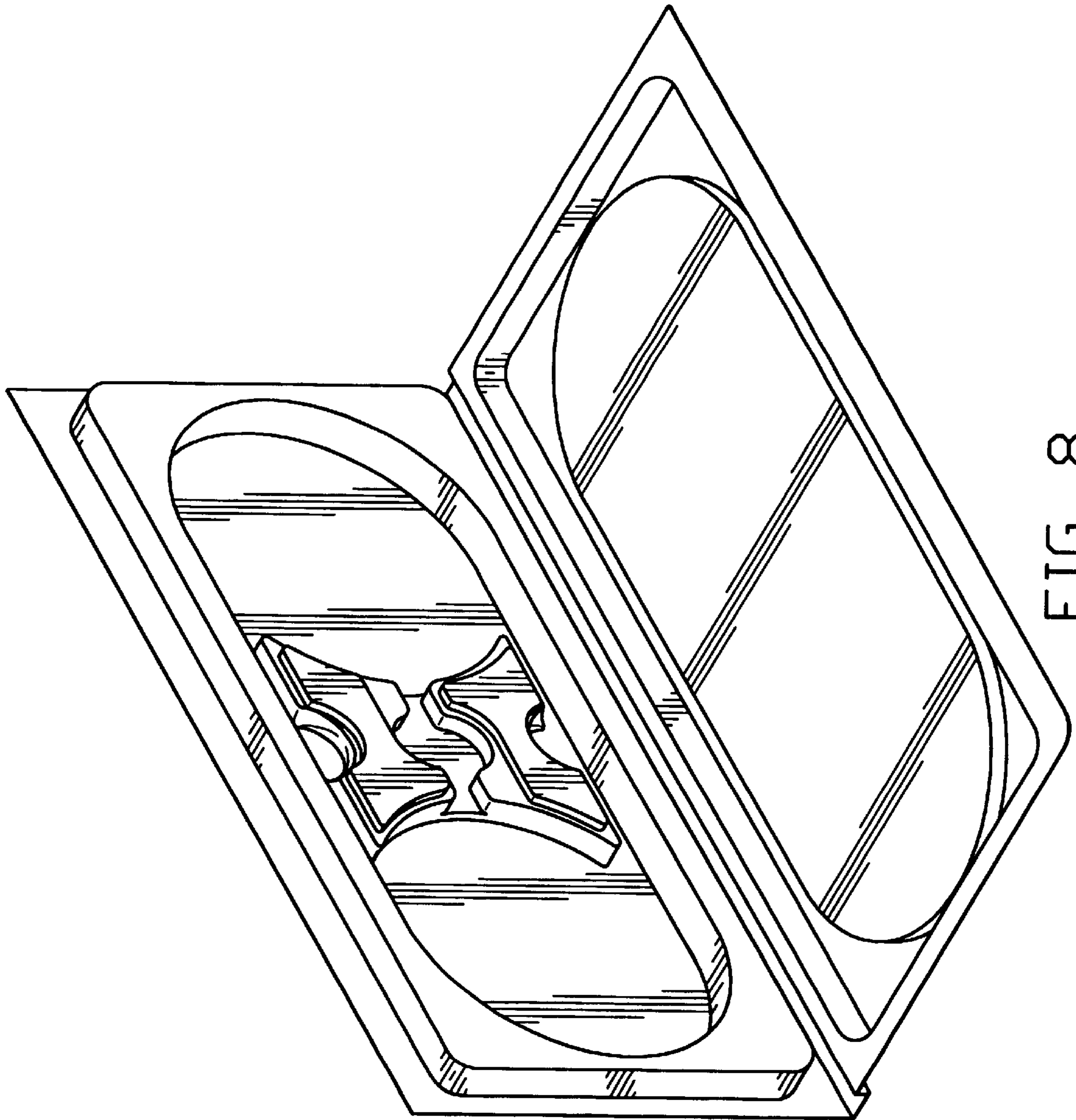


FIG. 8