



US00D454489S

(12) **United States Design Patent**
Enciso et al.

(10) **Patent No.: US D454,489 S**
(45) **Date of Patent: ** Mar. 19, 2002**

(54) **ONE PIECE ASSEMBLY OF
MULTI-COMPARTMENT CONTAINER WITH
UTENSIL**

(75) Inventors: **Neil Enciso**, Chicago; **Surendra
Agarwal**, Glenview, both of IL (US)

(73) Assignee: **Kraft Foods Holdings, Inc.**, Northfield,
IL (US)

(**) Term: **14 Years**

(21) Appl. No.: **29/131,189**

(22) Filed: **Oct. 16, 2000**

(51) **LOC (7) Cl. 09-03**

(52) **U.S. Cl. D9/347; D9/425**

(58) **Field of Search** D9/341, 346, 347,
D9/425, 426, 432, 428, 429, 337; D7/550.1,
553.1, 553.2, 553.4, 553.5, 553.6, 555,
602; 206/216, 557, 561, 563; 229/406,
407, 902-906, 915, 938; 426/106, 120,
128, 129, 130, 113, 114, 115; 220/556,
500, 506, 521

(56) **References Cited**

U.S. PATENT DOCUMENTS

1,848,066 A * 3/1932 Shepard et al. D7/555 X
3,381,876 A * 5/1968 Biggins 220/574
3,704,779 A * 12/1972 Nigg 220/556

4,013,798 A * 3/1977 Goltzos 220/556
D324,651 S * 3/1992 Kaneko D9/418
5,236,119 A * 8/1993 Chu 220/556
D379,301 S * 5/1997 Lippincott D9/347
5,747,084 A * 5/1998 Cochran et al. 426/110
D395,003 S * 6/1998 Daniels D9/347
D398,524 S * 9/1998 Waterhouse D9/347
D429,147 S * 8/2000 Baker et al. D9/347
D432,409 S * 10/2000 Feldmeier D9/347

* cited by examiner

Primary Examiner—Prabhakar Deshmukh

(74) *Attorney, Agent, or Firm*—Fitch, Even, Tabin &
Flannery

(57) **CLAIM**

The ornamental design for one piece assembly of multi-
compartment container with utensil, as shown and
described.

DESCRIPTION

FIG. 1 is a perspective view of a one piece assembly of a
container and utensil showing my new design;
FIG. 2 is a top plan view thereof;
FIG. 3 is a bottom plan view thereof;
FIG. 4 is a rear elevational view thereof;
FIG. 5 is a elevational view taken from either side thereof;
and,
FIG. 6 is a front elevational view thereof.

1 Claim, 3 Drawing Sheets

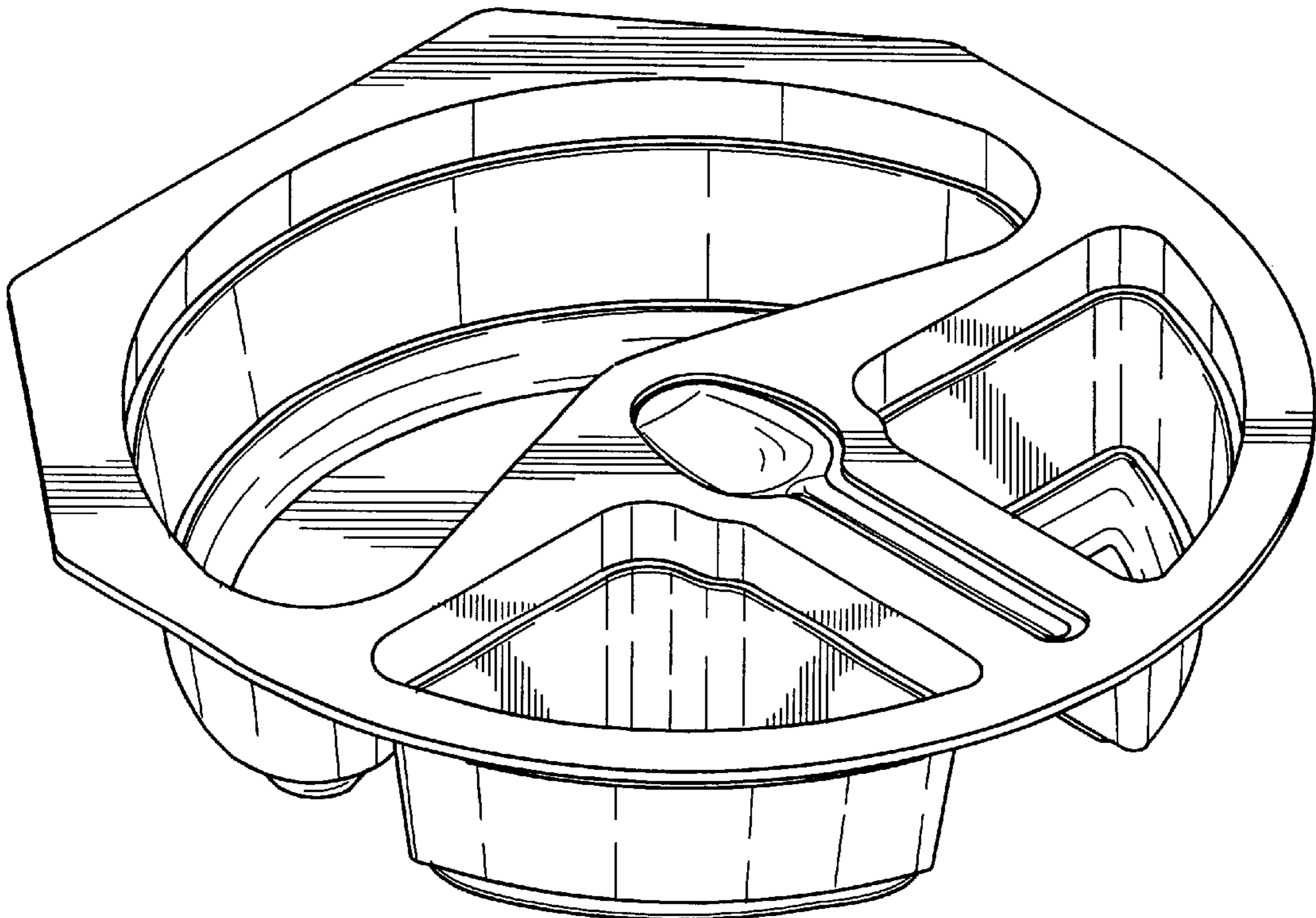


Fig. 1

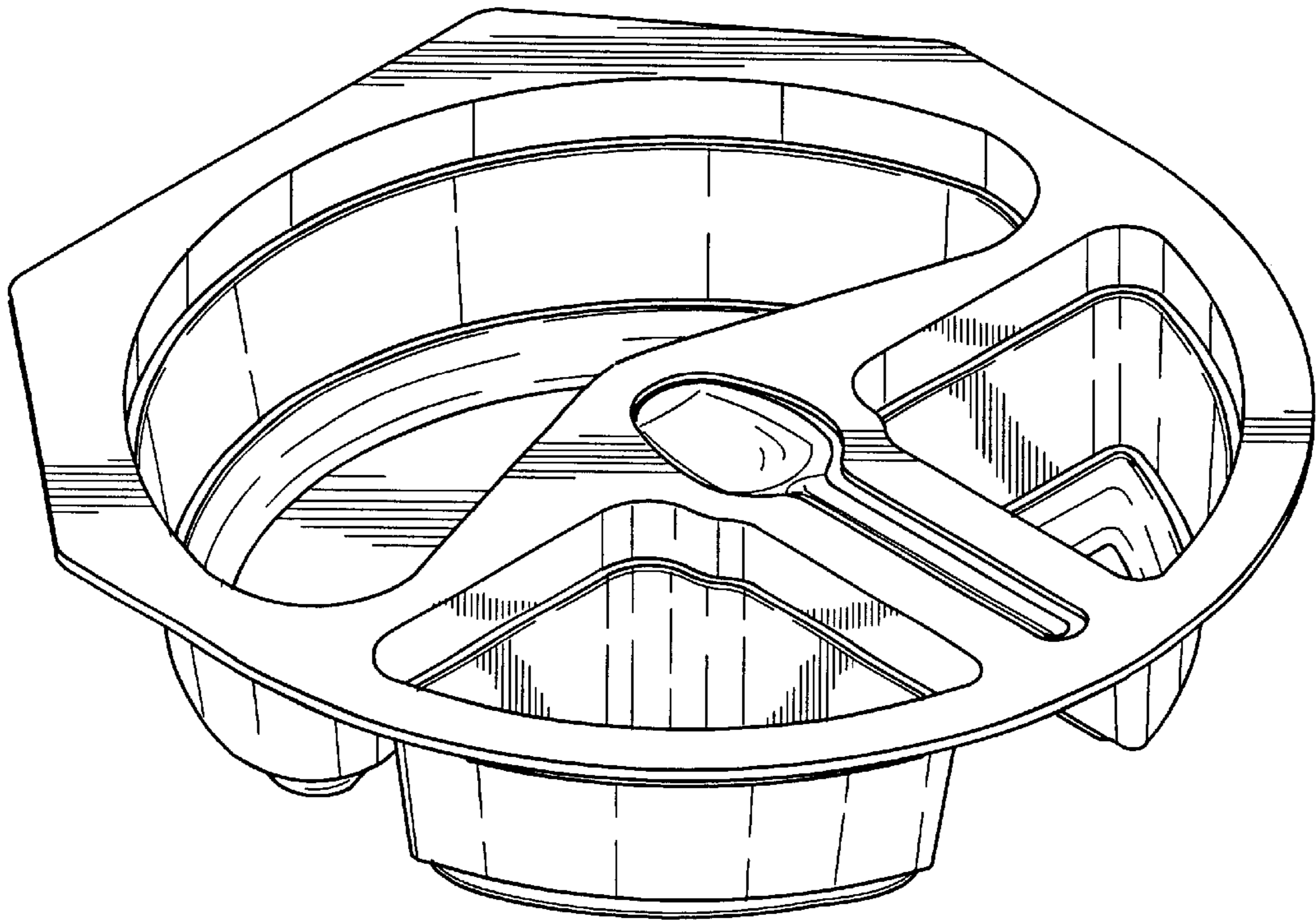


Fig. 2

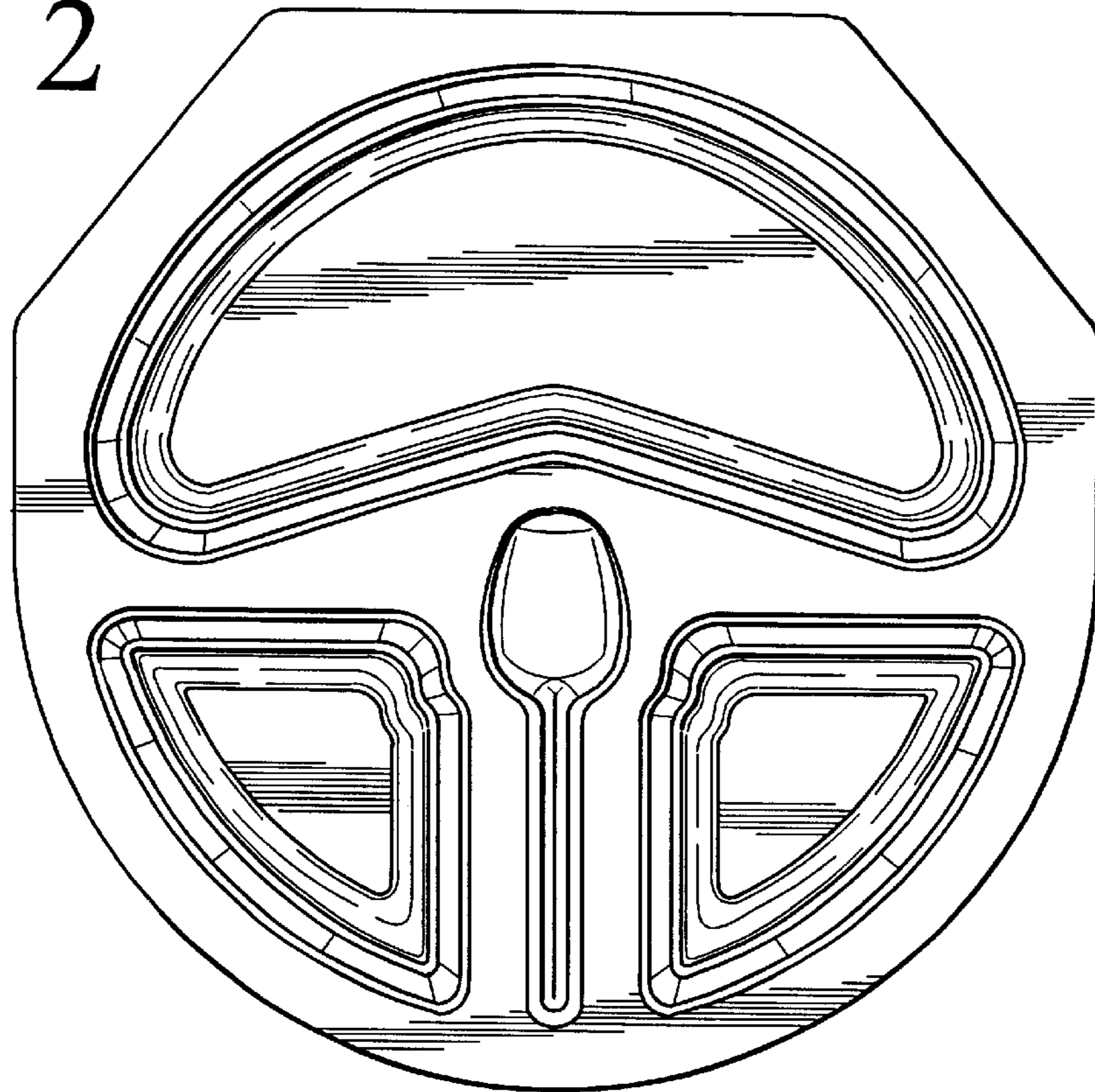


Fig. 3

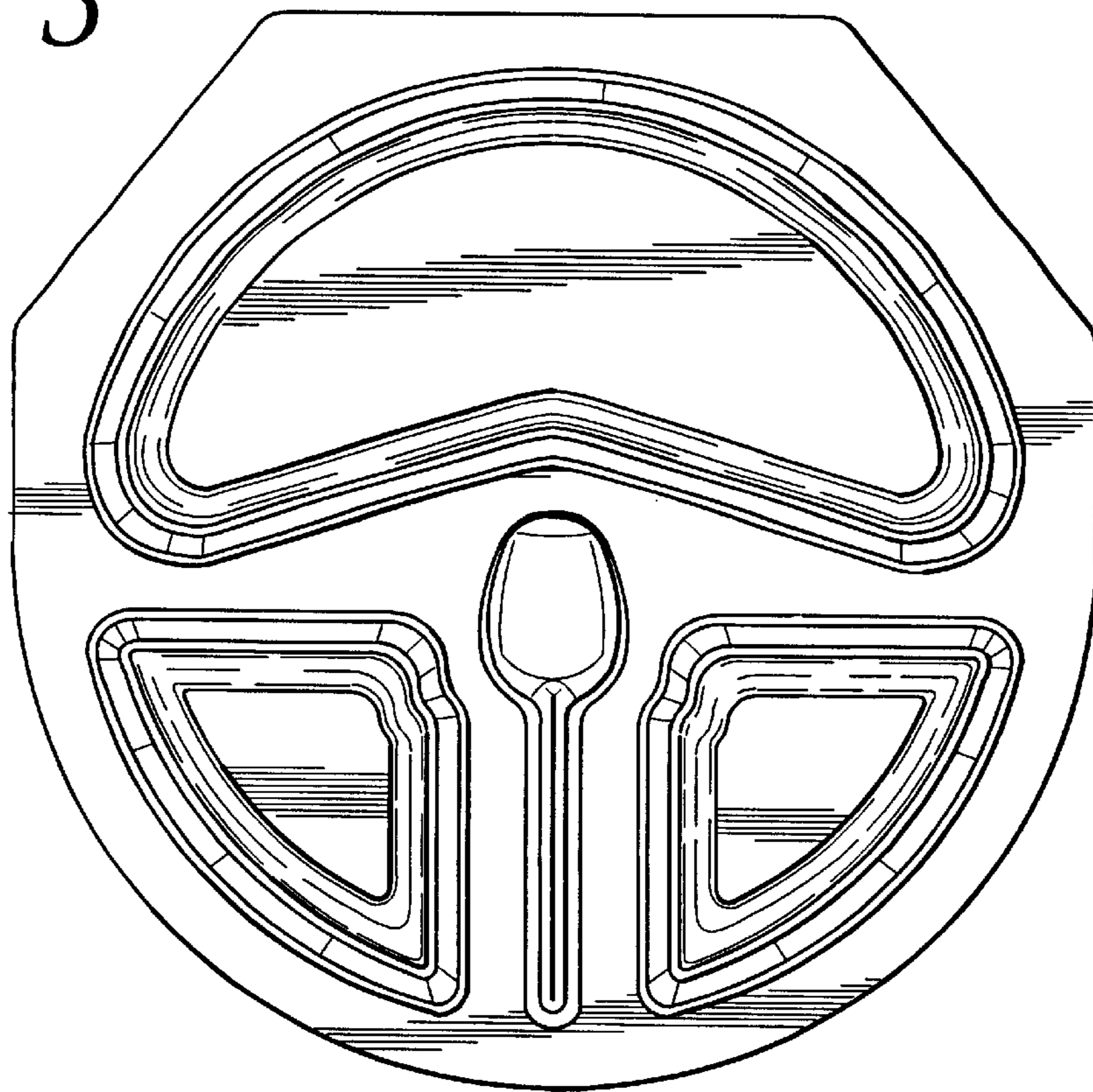


Fig. 4

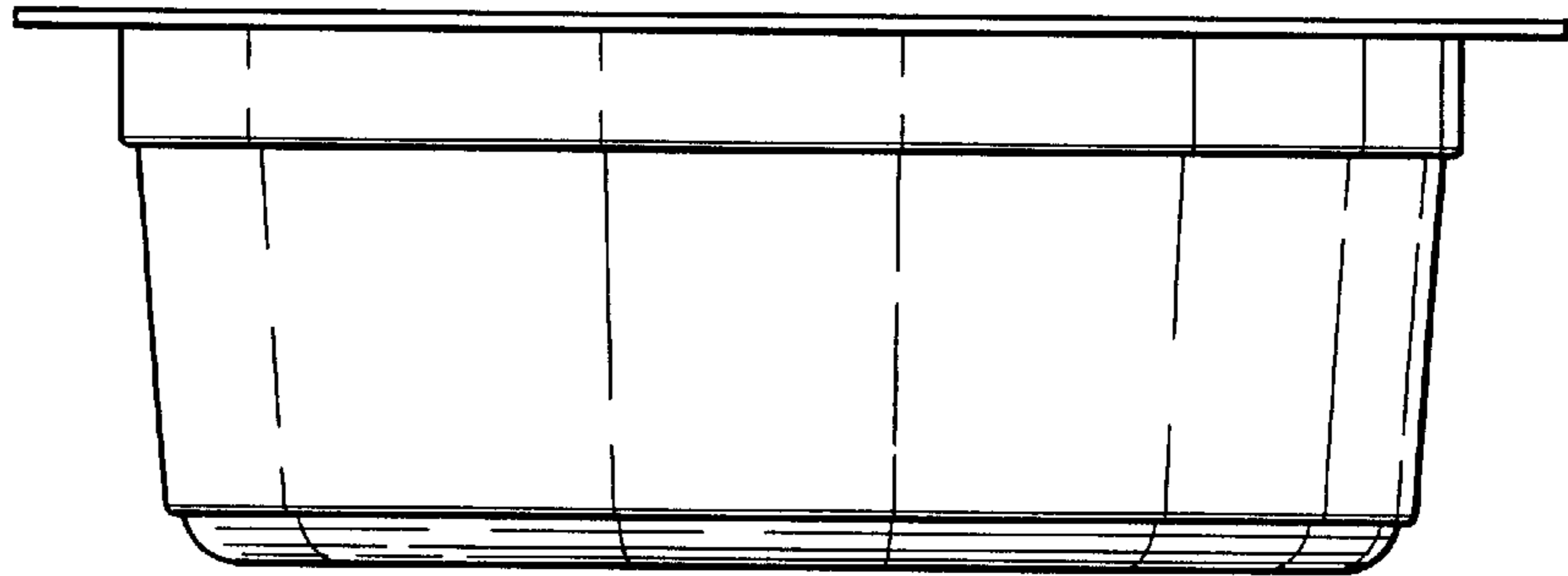


Fig. 5

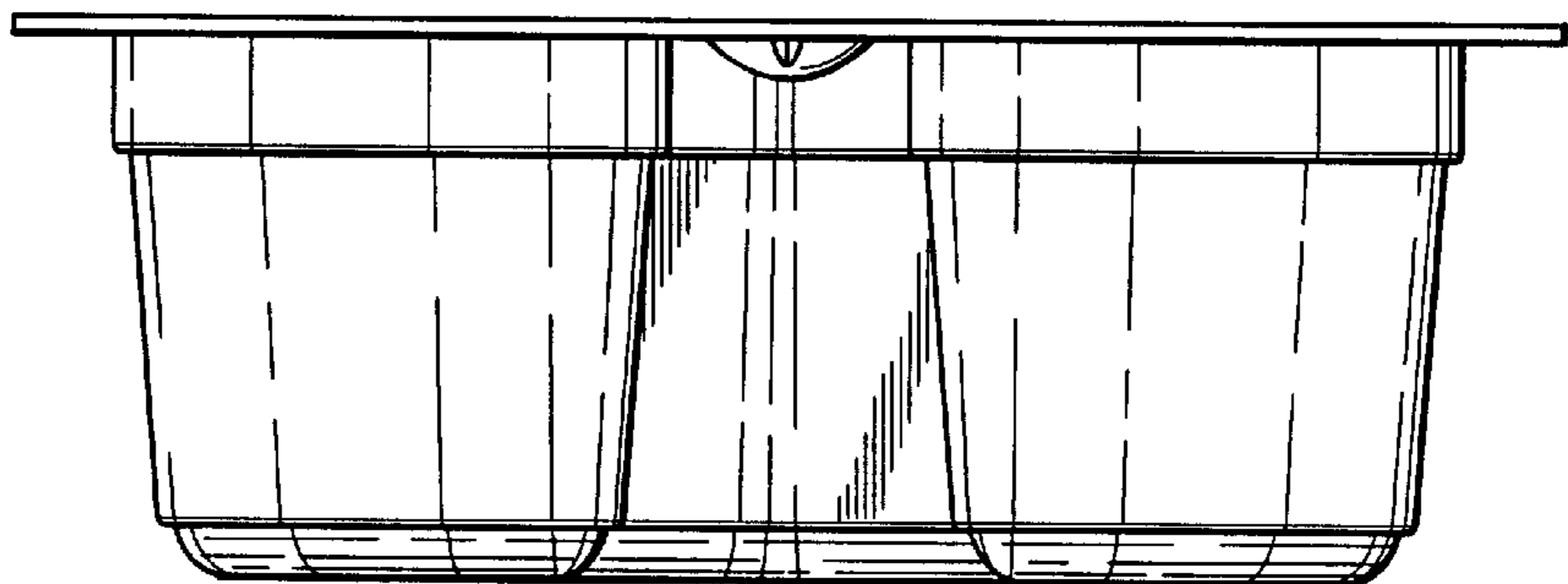


Fig. 6

