



US00D454486S

(12) **United States Design Patent**
Striebel

(10) **Patent No.:** **US D454,486 S**

(45) **Date of Patent:** **** Mar. 19, 2002**

(54) **WEBBING SHACKLE**

(75) Inventor: **Roman F. Striebel**, Duxbury, MA (US)

(73) Assignee: **Suncor Stainless, Inc.**, Pembroke, MA (US)

(**) Term: **14 Years**

(21) Appl. No.: **29/125,632**

(22) Filed: **Jun. 23, 2000**

(51) **LOC (7) Cl.** **08-99**

(52) **U.S. Cl.** **D8/499**

(58) **Field of Search** D8/382, 400, 499;
59/78, 84, 85, 86, 93; 24/116 R; 294/74,
82.11; D11/212

(56) **References Cited**

U.S. PATENT DOCUMENTS

D58,002 S	*	5/1921	Virden	D8/499
D141,713 S	*	6/1945	Johnson	D8/499
2,473,348 A	*	6/1949	Sharps	24/116 R
3,299,628 A	*	1/1967	Chisler	59/24
3,611,710 A	*	10/1971	Holmes et al.	24/116 R
D246,141 S	*	10/1977	Mazur	D11/212
4,094,141 A	*	6/1978	Rehbein	59/93
4,220,052 A	*	9/1980	Sheldon	474/207
5,046,881 A	*	9/1991	Swager	403/154
D374,394 S	*	10/1996	Lynch et al.	D8/400

OTHER PUBLICATIONS

Catalog of Suncor Stainless, Published Jan. 1999, pp. 1, 2, 3, 4 and 5.

* cited by examiner

Primary Examiner—Alan P. Douglas

Assistant Examiner—Clare E. Heflin

(74) *Attorney, Agent, or Firm*—Perkins, Smith & Cohen, LLP; Jerry Cohen; Jacob N. Erlich

(57) **CLAIM**

The ornamental design for a webbing shackle, as shown and described.

DESCRIPTION

FIG. 1 is a first side view showing my new design of a webbing shackle;

FIG. 2 is a front view showing my new design of a webbing shackle;

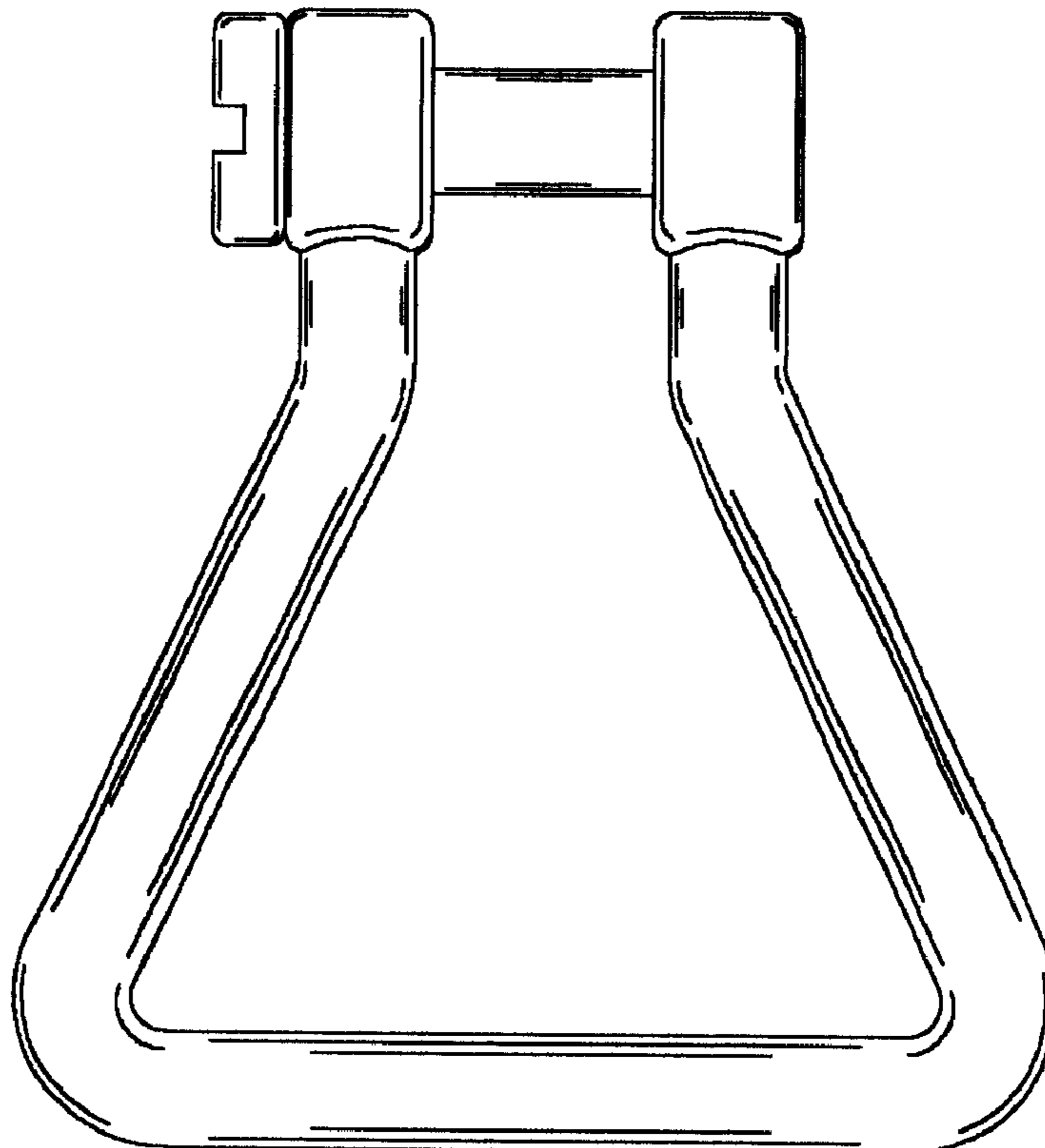
FIG. 3 is a second side view of my new design of a webbing shackle taken on a side opposite the side shown in FIG. 1;

FIG. 4 is a back view showing my new design of a webbing shackle;

FIG. 5 is a top view of my new design of a webbing shackle; and,

FIG. 6 is a bottom view of my new design of a webbing shackle.

1 Claim, 1 Drawing Sheet



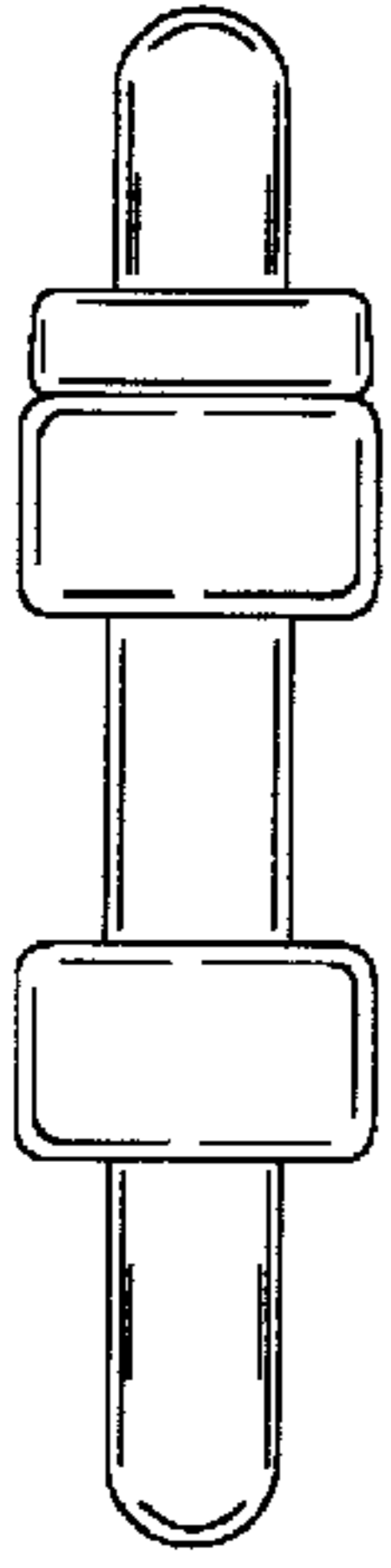


FIG. 5

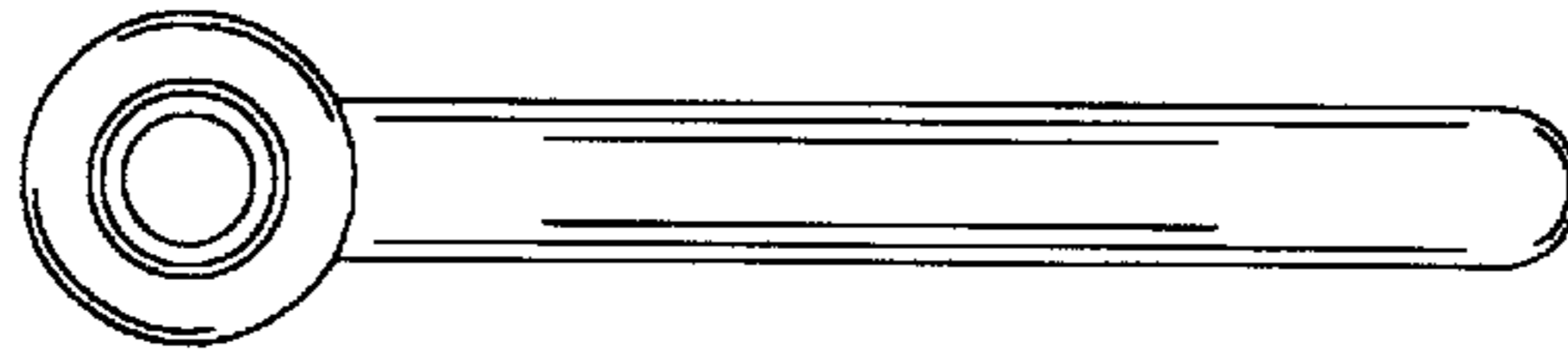


FIG. 1

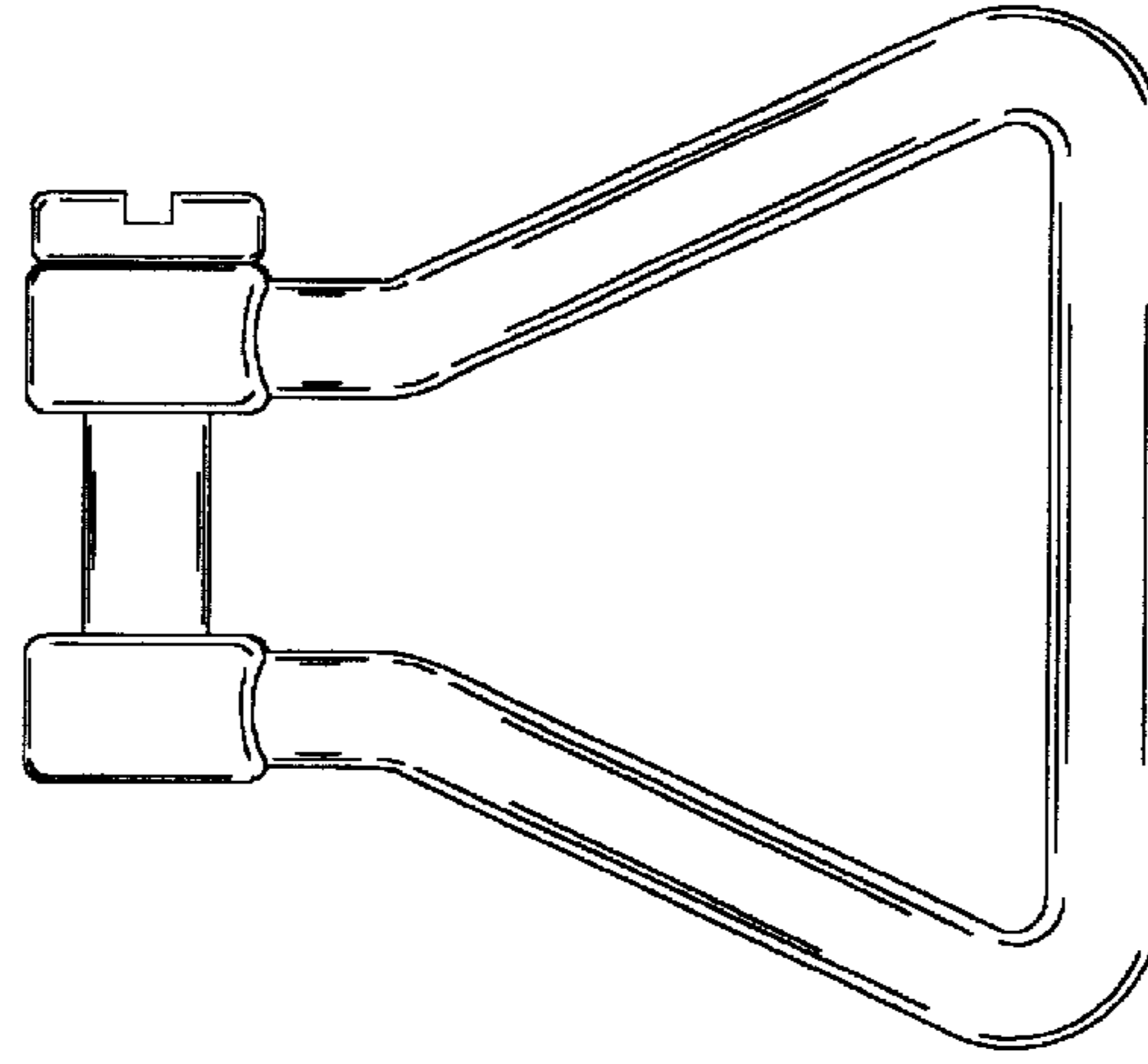


FIG. 2

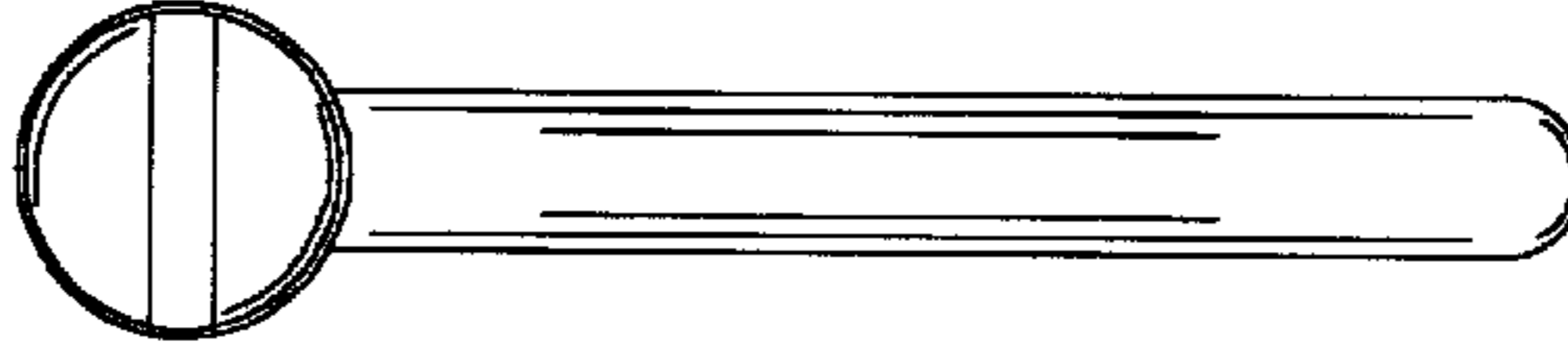


FIG. 3

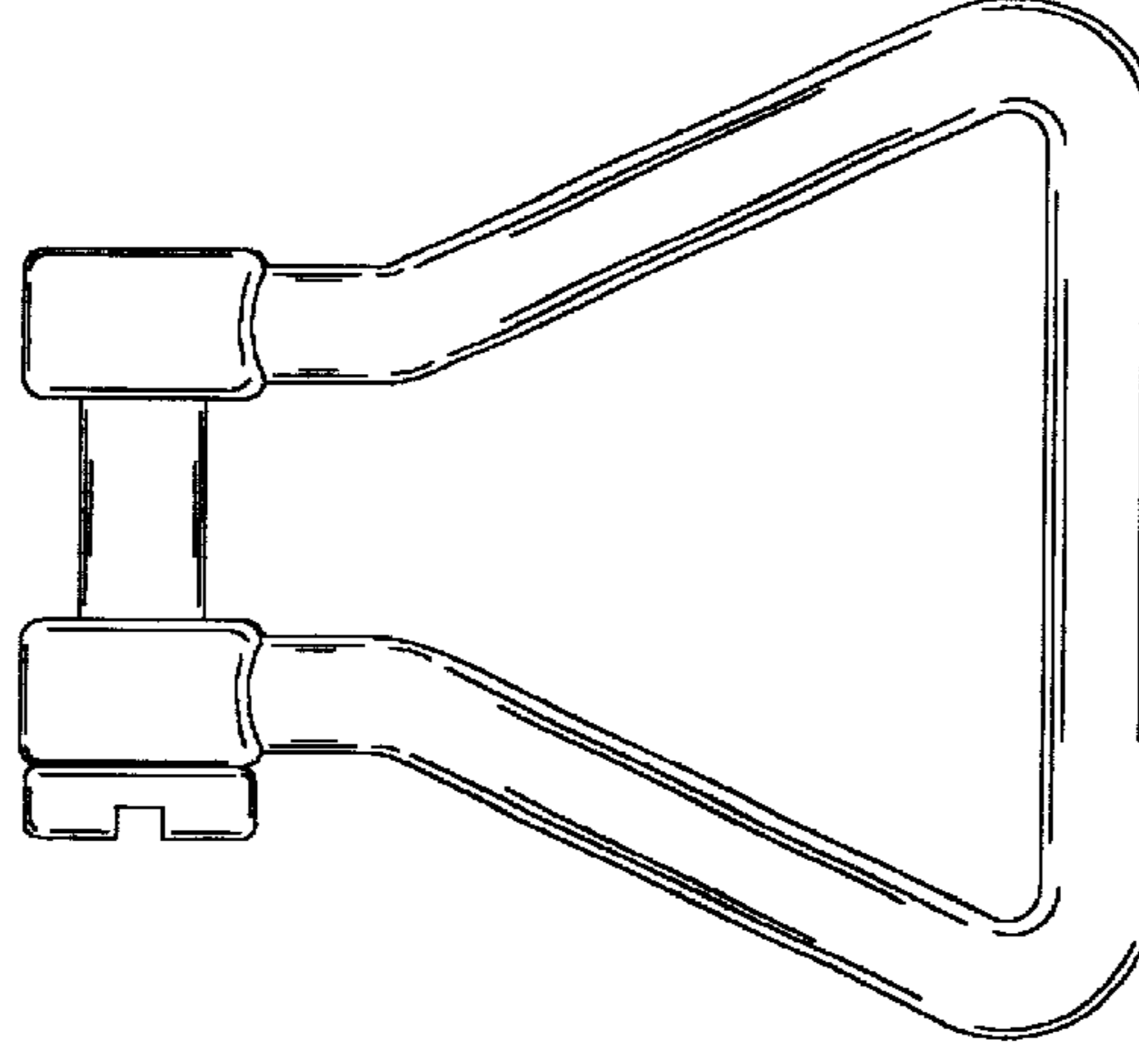


FIG. 4

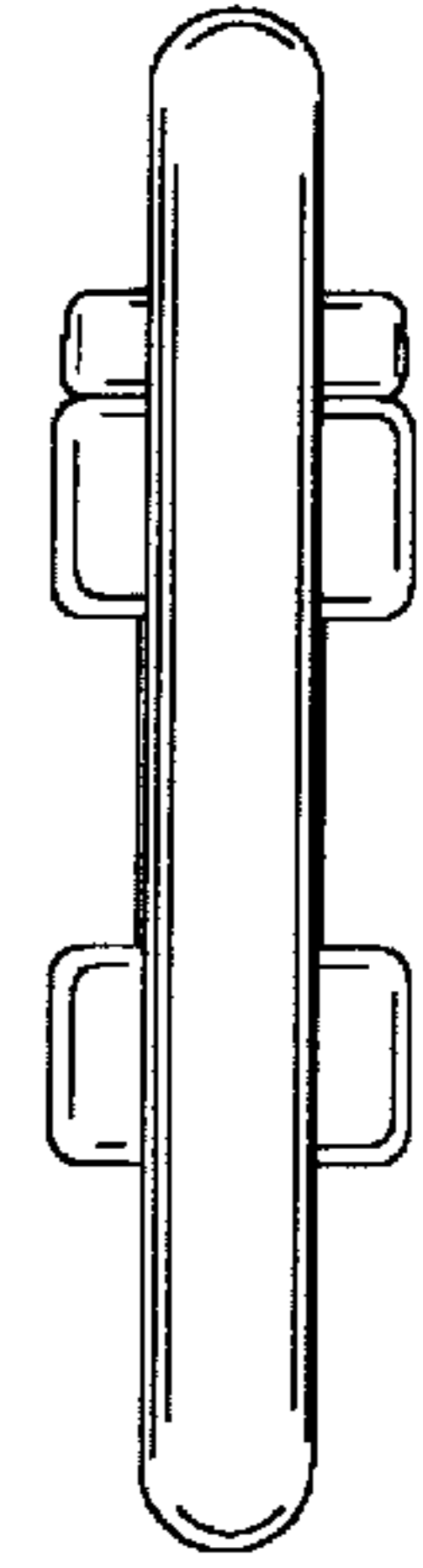


FIG. 6