



US00D454483S

(12) **United States Design Patent**  
**Wolf**

(10) **Patent No.:** **US D454,483 S**

(45) **Date of Patent:** **\*\* Mar. 19, 2002**

(54) **DROP WIRE CLAMP**

(75) Inventor: **David Wolf**, Newton, MA (US)

(73) Assignee: **Allied Bolts, Inc.**, Hollis, NY (US)

(\*\*) Term: **14 Years**

(21) Appl. No.: **29/133,491**

(22) Filed: **Nov. 30, 2000**

(51) **LOC (7) Cl.** ..... **08-08**

(52) **U.S. Cl.** ..... **D8/394**

(58) **Field of Search** ..... D8/394, 395, 396,  
D8/499; 248/65, 67.5, 68.1, 74.1, 74.2;  
267/167, 166, 170, 171, 179, 180

(56) **References Cited**

**U.S. PATENT DOCUMENTS**

917,770	A	*	4/1909	Knudsen	
1,845,365	A	*	2/1932	Thomson	
2,131,737	A	*	10/1938	Hoyt	265/1.4
2,903,242	A	*	9/1959	Bodine, Jr.	255/28
3,288,918	A	*	11/1966	Schlein	174/173
4,854,558	A	*	8/1989	Newton	267/74

\* cited by examiner

*Primary Examiner*—Adir Aronovich

*Assistant Examiner*—Daniel Bui

(74) *Attorney, Agent, or Firm*—Wolf, Greenfield & Sacks, P.C.

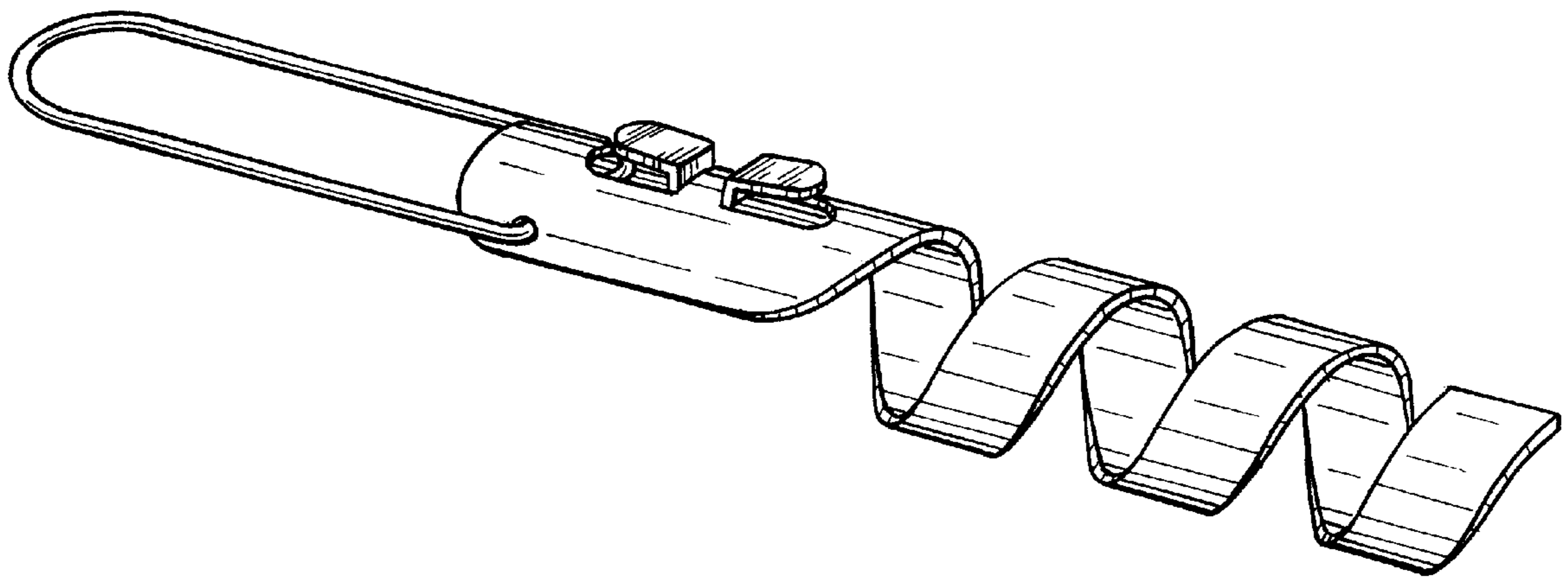
(57) **CLAIM**

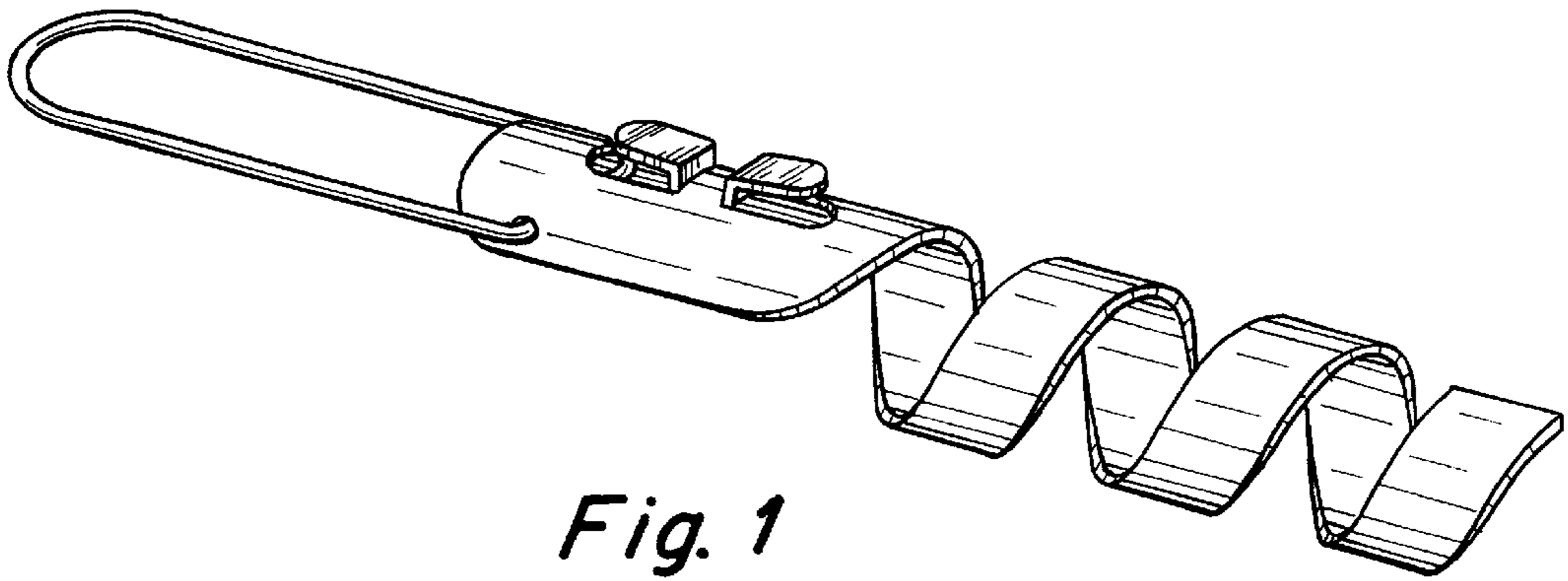
The ornamental design for a drop wire clamp, as shown and described.

**DESCRIPTION**

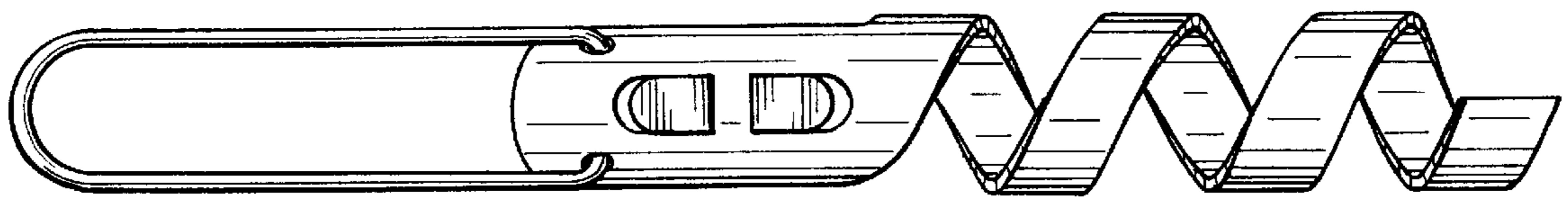
FIG. 1 is a perspective view of a drop wire clamp showing my new design;  
 FIG. 2 is a top planar view thereof;  
 FIG. 3 is a left-side elevational view thereof;  
 FIG. 4 is a right-side elevational view thereof;  
 FIG. 5 is a bottom plan view thereof;  
 FIG. 6 is a left-end elevational view thereof;  
 FIG. 7 is a right-end elevational view thereof;  
 FIG. 8 is a perspective view of a wire-holder showing an alternative embodiment of my new design;  
 FIG. 9 is a top planar view thereof;  
 FIG. 10 is a left-side elevational view thereof;  
 FIG. 11 is a right-side elevational view thereof;  
 FIG. 12 is a bottom plan view thereof;  
 FIG. 13 is a left-end elevational view thereof; and,  
 FIG. 14 is a right-end elevational view thereof.  
 The broken line, illustrating a cable in position and a means for securing the cable, is for illustrative purposes only and forms no part of the claimed design.

**1 Claim, 4 Drawing Sheets**

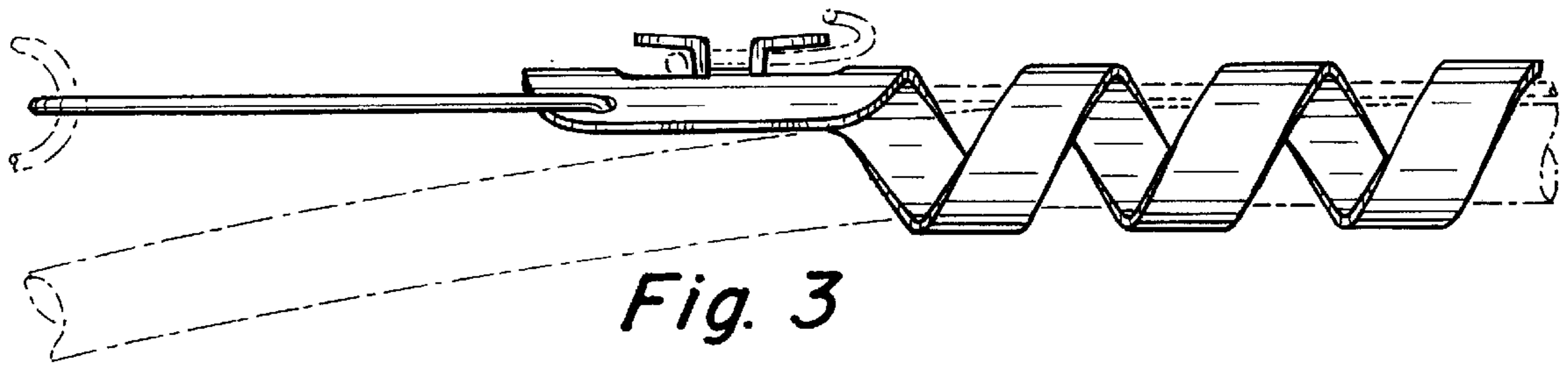




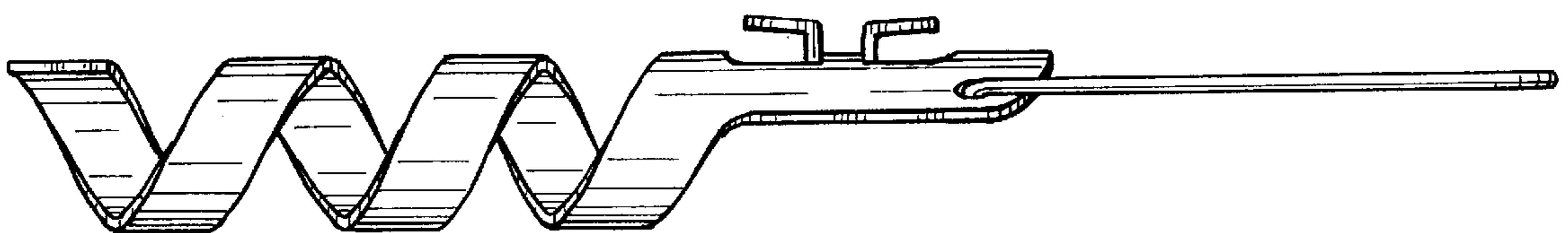
*Fig. 1*



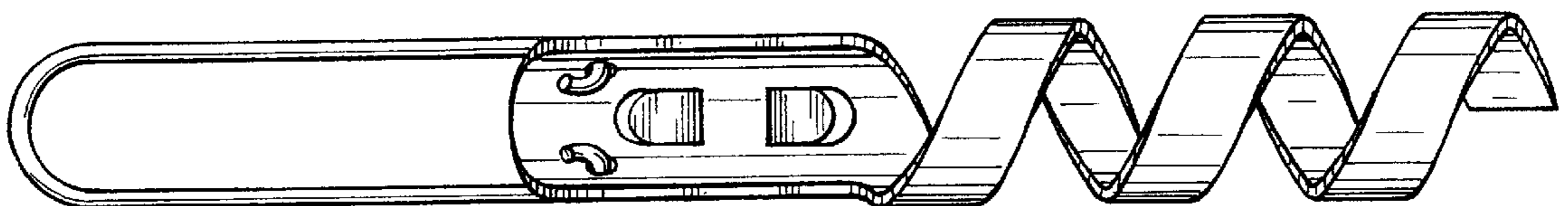
*Fig. 2*



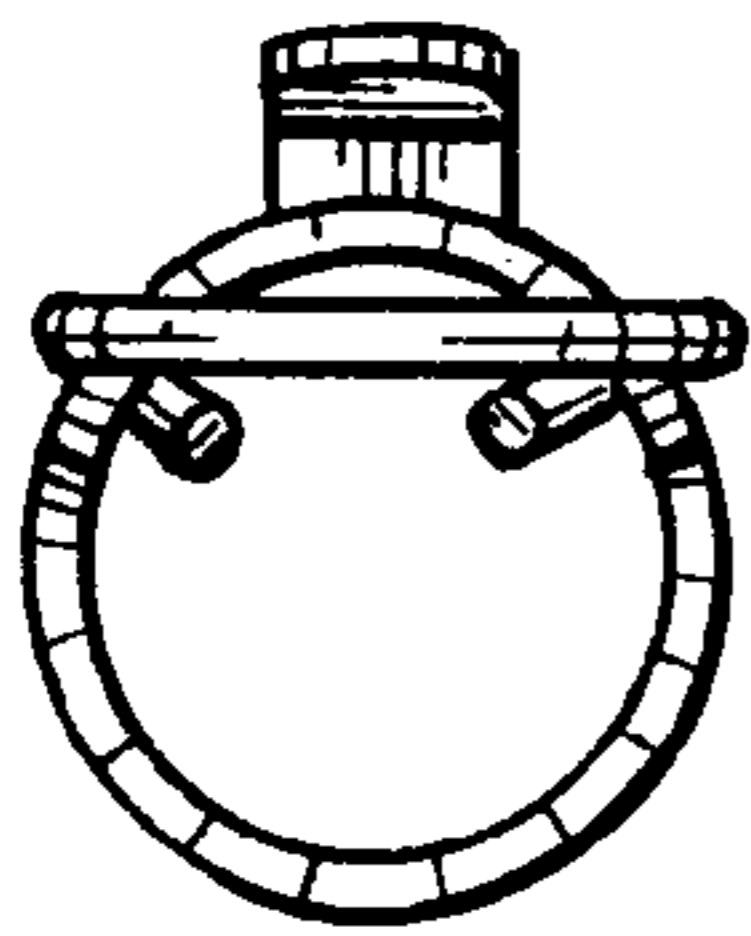
*Fig. 3*



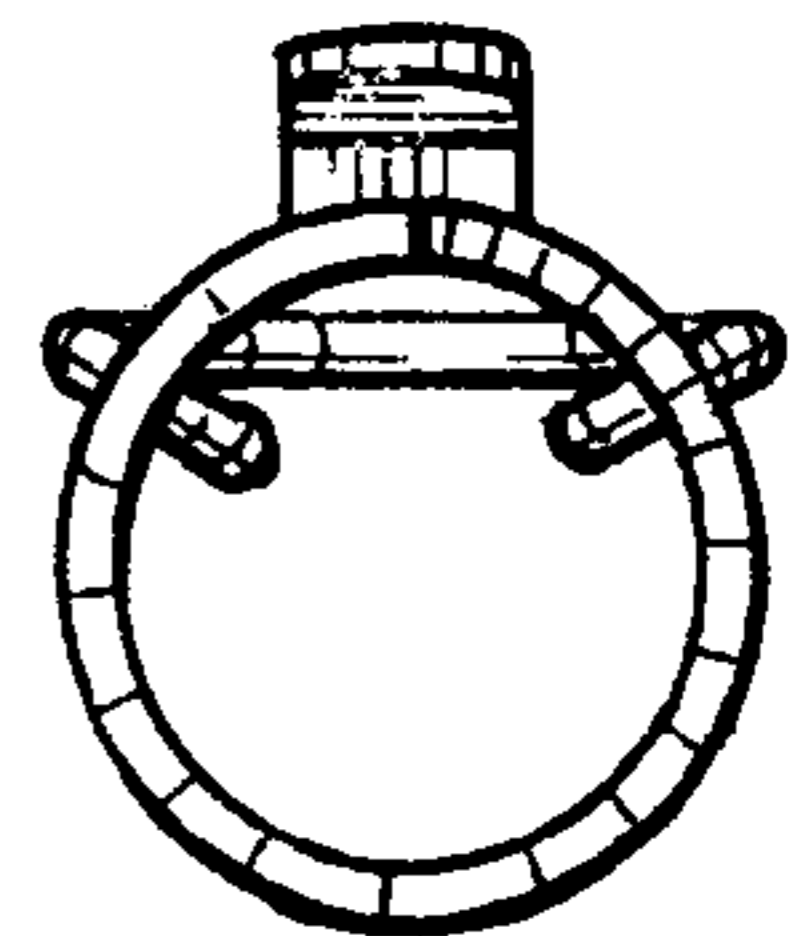
*Fig. 4*



*Fig. 5*



*Fig. 6*



*Fig. 7*

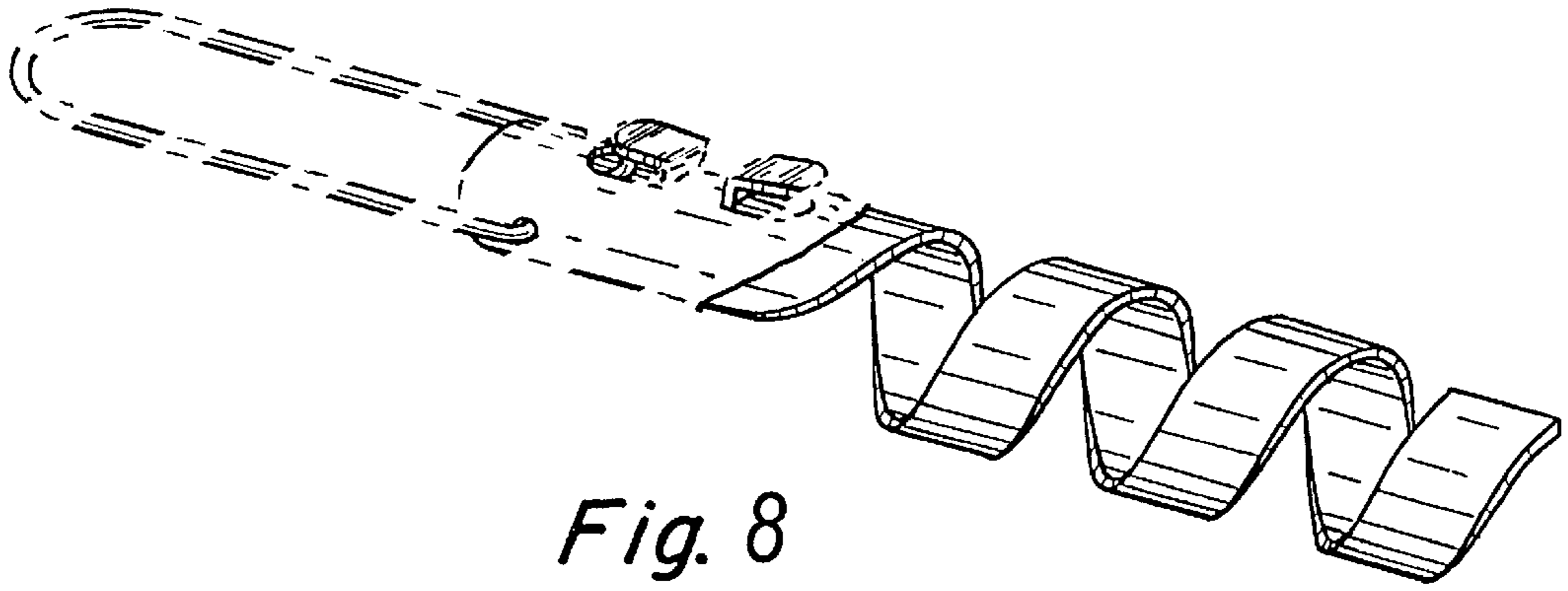


Fig. 8

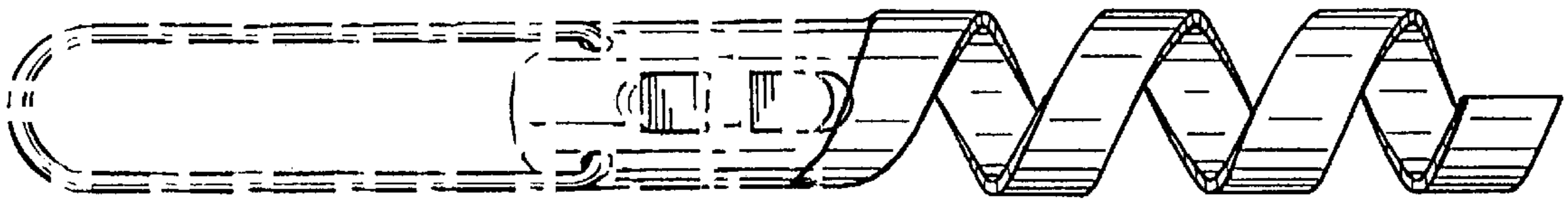


Fig. 9

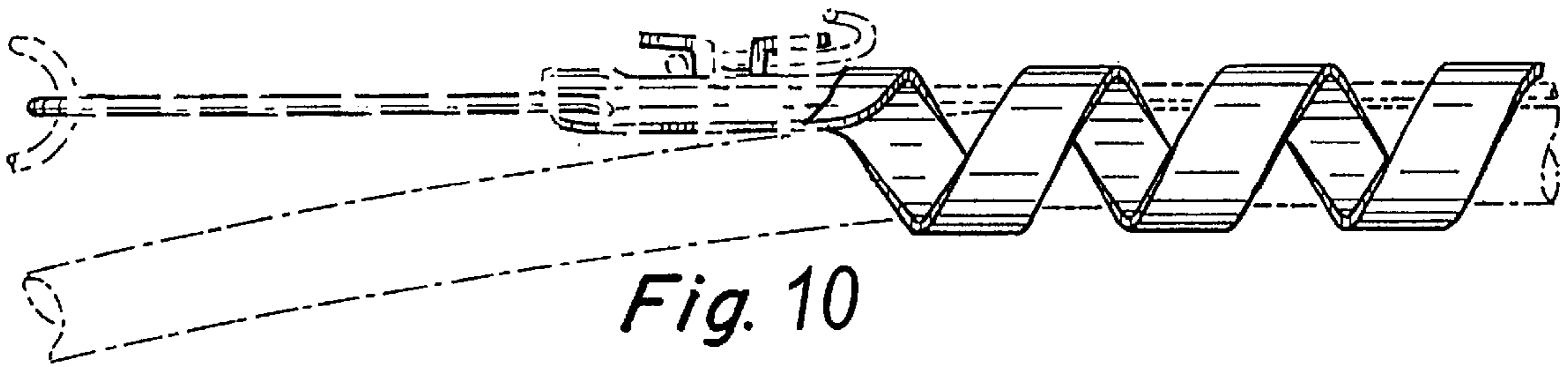


Fig. 10

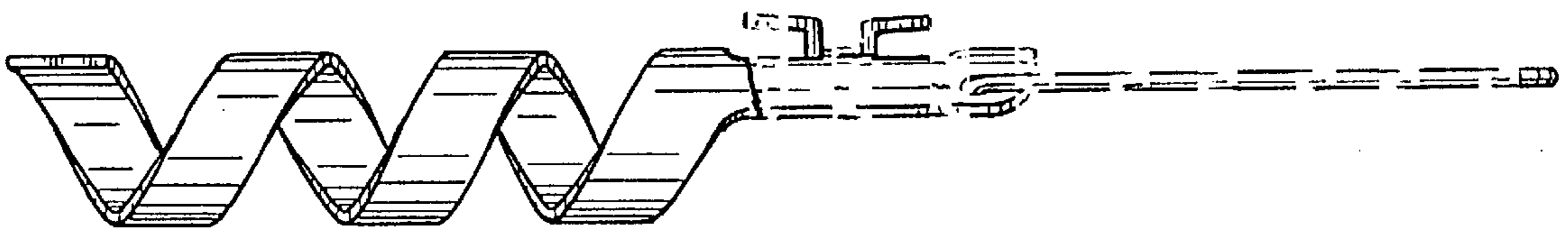


Fig. 11

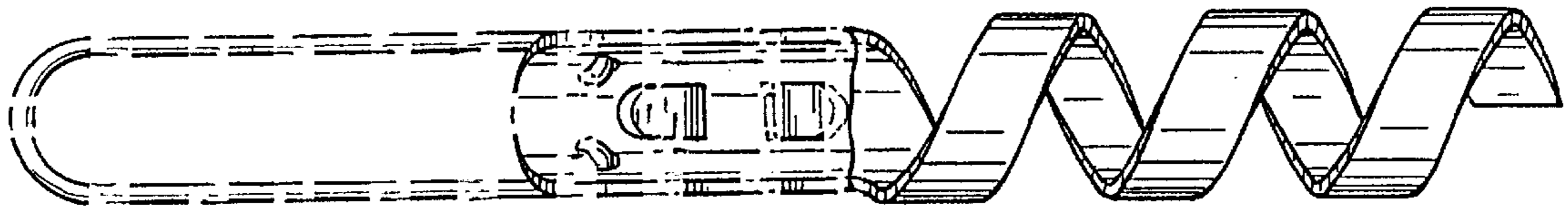
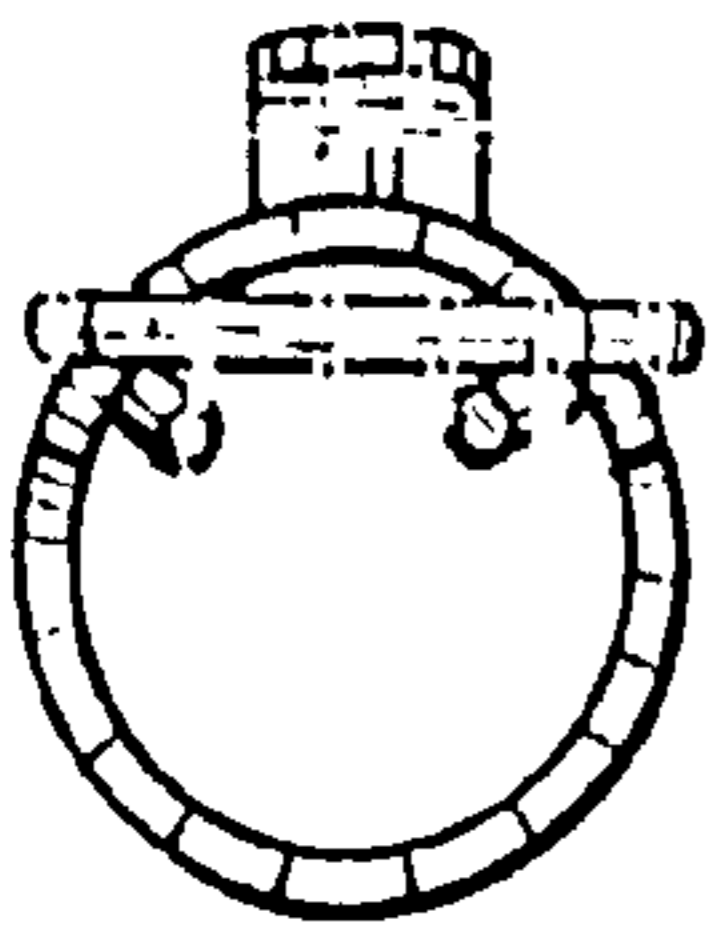
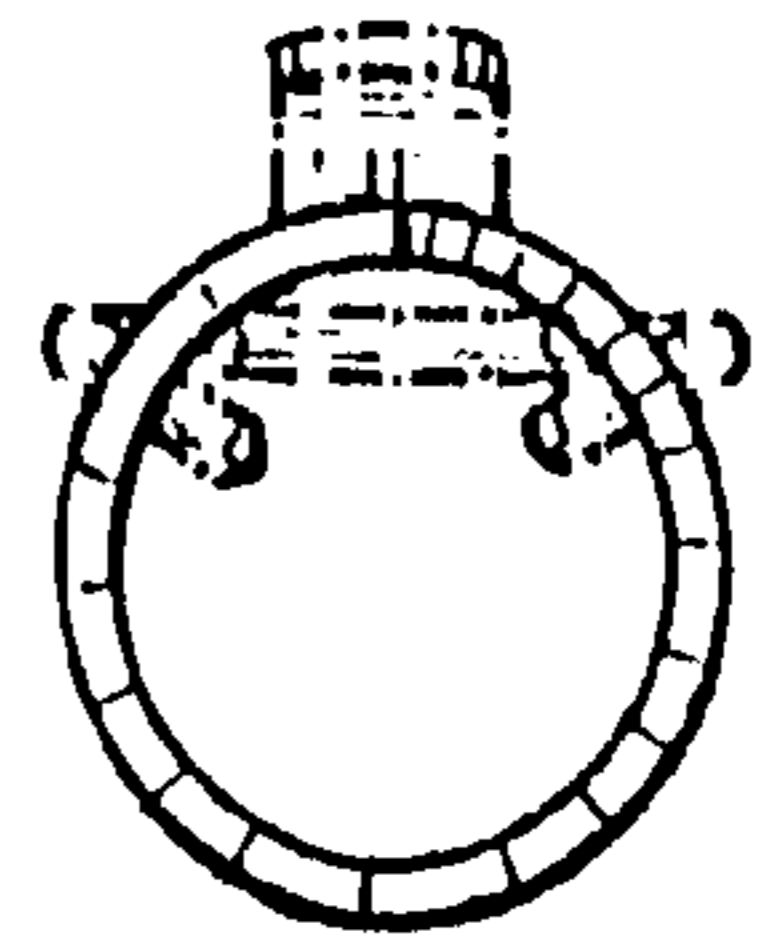


Fig. 12



*Fig. 13*



*Fig. 14*