



US00D454482S

(12) **United States Design Patent**
Morita

(10) **Patent No.:** **US D454,482 S**
(45) **Date of Patent:** **** Mar. 19, 2002**

(54) **MAGNETIC FASTENER**

(76) Inventor: **Tamao Morita**, 47-1, Arakawa,
6-Chome, Arakawa-ku, Tokyo 116 (JP)

(**) Term: **14 Years**

(21) Appl. No.: **29/129,781**

(22) Filed: **Sep. 22, 2000**

(30) **Foreign Application Priority Data**

Jun. 30, 2000 (JP) DH12-003

(51) **LOC (7) Cl.** **08-08**

(52) **U.S. Cl.** **D8/382**

(58) **Field of Search** D13/183; D11/220,
D11/231; D8/349, 382; 24/303, 304, 305,
572; 292/251.5; 335/251, 255, 278

(56) **References Cited**

U.S. PATENT DOCUMENTS

4,453,294 A	6/1984	Morita	
4,700,436 A	10/1987	Morita	
D294,810 S	* 3/1988	Morita D11/231
5,125,134 A	6/1992	Morita	
5,152,035 A	10/1992	Morita	
5,199,138 A	4/1993	Morita	
5,253,394 A	10/1993	Morita	
5,274,889 A	1/1994	Morita	
5,377,392 A	1/1995	Morita	
5,707,091 A	1/1998	Morita	
D400,429 S	* 11/1998	Morita D8/382

D426,491 S	*	6/2000	Chan	D11/220
D426,765 S	*	6/2000	Aoki	D8/382
6,131,247 A		10/2000	Morita		
D438,451 S	*	3/2001	Reiter	D8/382

* cited by examiner

Primary Examiner—Ted Shooman

Assistant Examiner—Daniel Bui

(74) *Attorney, Agent, or Firm*—Patton Boggs LLP

(57) **CLAIM**

The ornamental design for a magnetic fastener, as shown and described.

DESCRIPTION

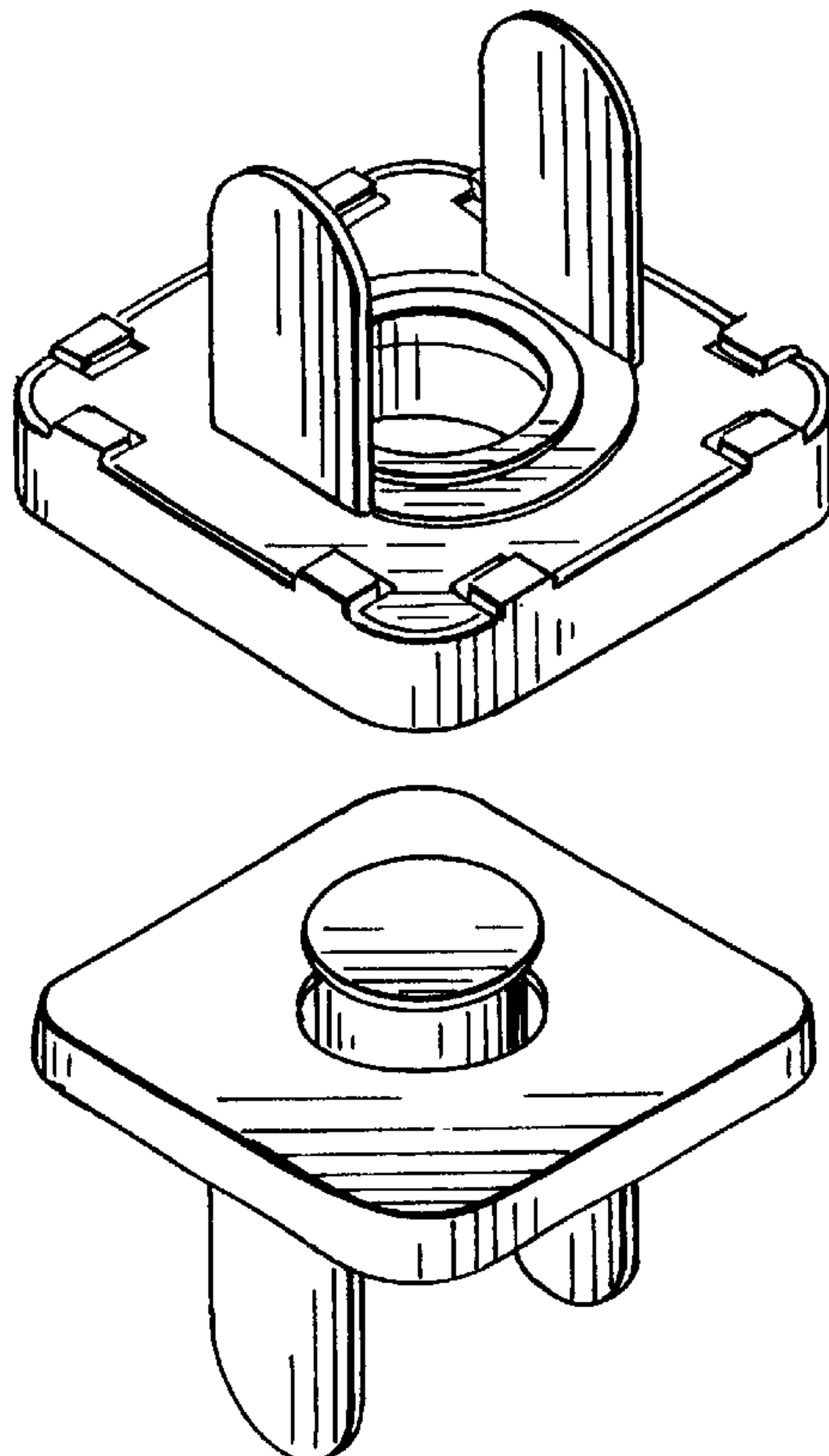
FIG. 1 is a bottom isometric view of the male fastener and the female fastener of a magnetic fastener in their separated or detached position with female fastener member overlying the male fastener member.

FIG. 2 is a bottom isometric view of the male fastener and the female fastener of the magnetic fastener of FIG. 1 in their attracted or fastened position;

FIG. 3 is a top isometric view of the male fastener and the female fastener of a magnetic fastener in their separated or detached position with the female member overlying the male fastener member; and,

FIG. 4 is a top isometric view of the male fastener and the female fastener of the magnetic fastener of FIG. 3 in their attracted or fastened position.

1 Claim, 1 Drawing Sheet



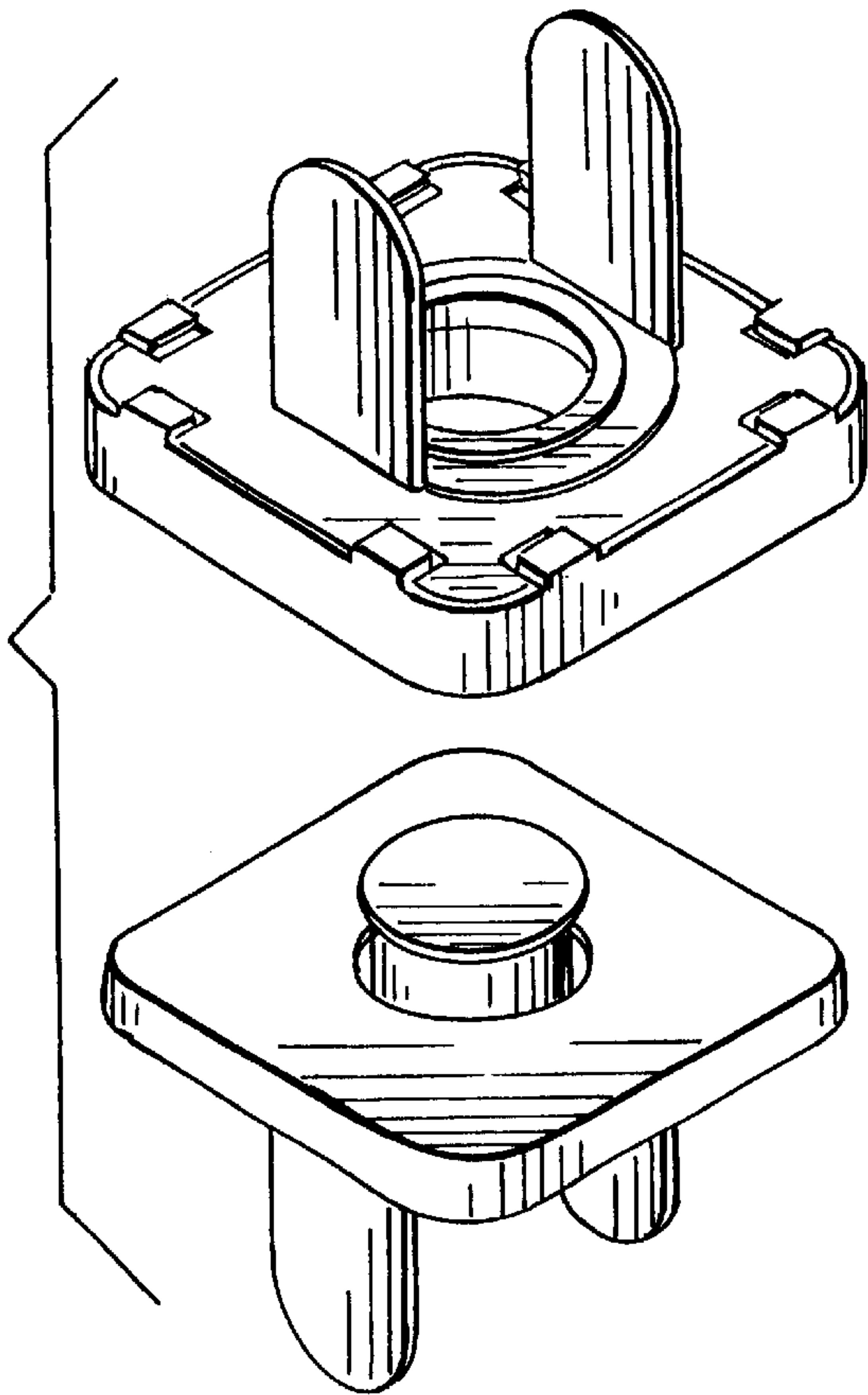


Fig. 1

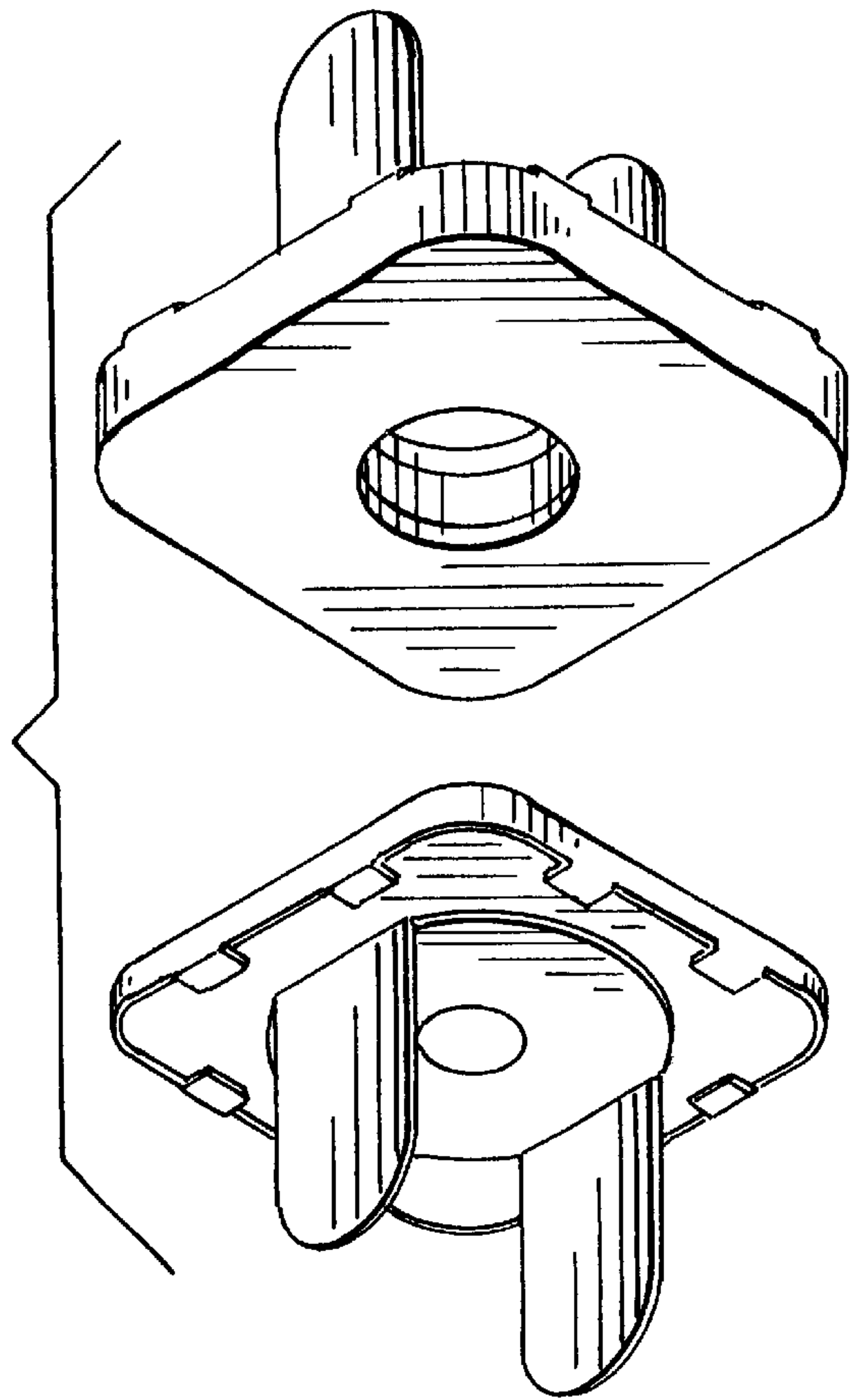


Fig. 3

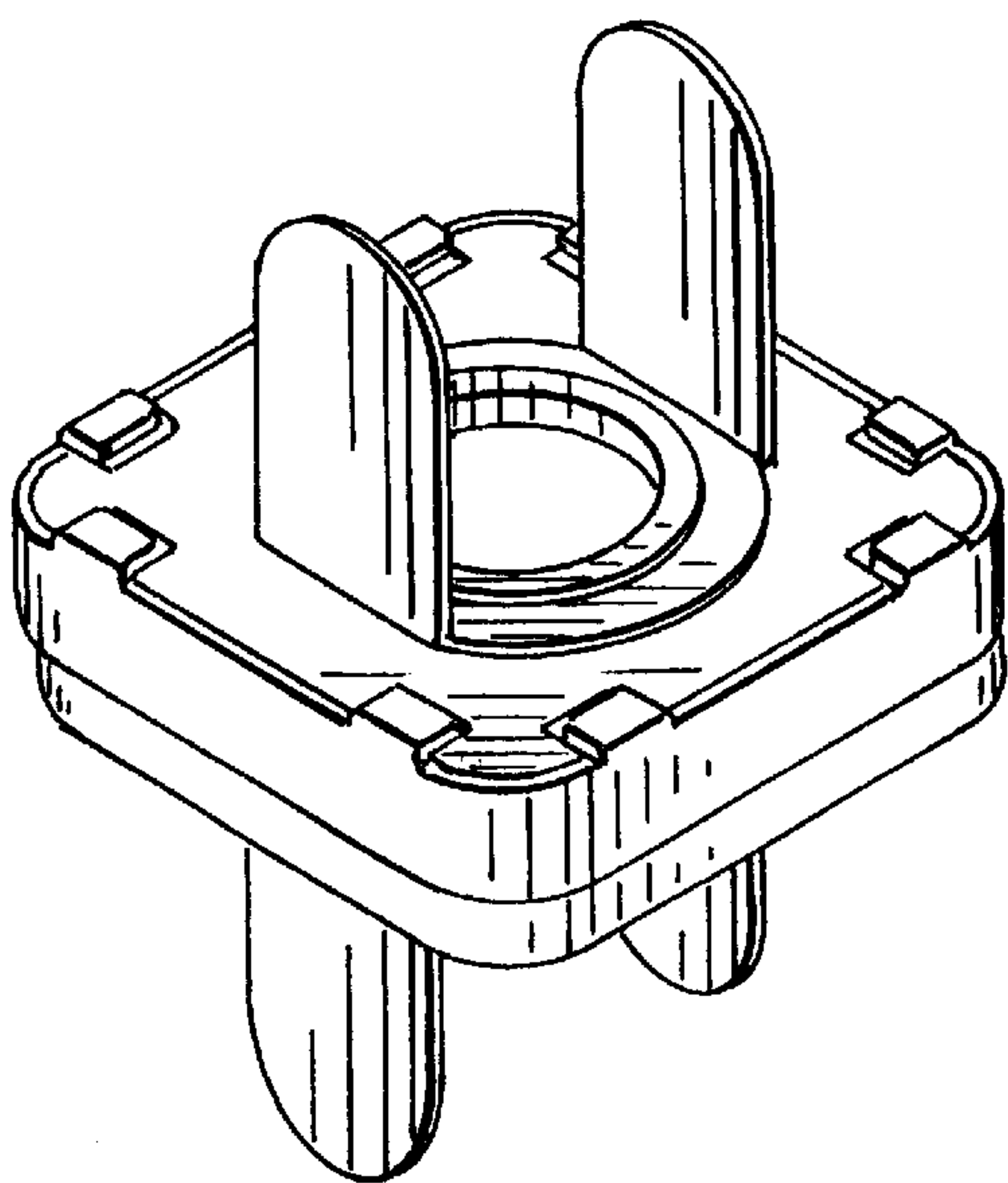


Fig. 2

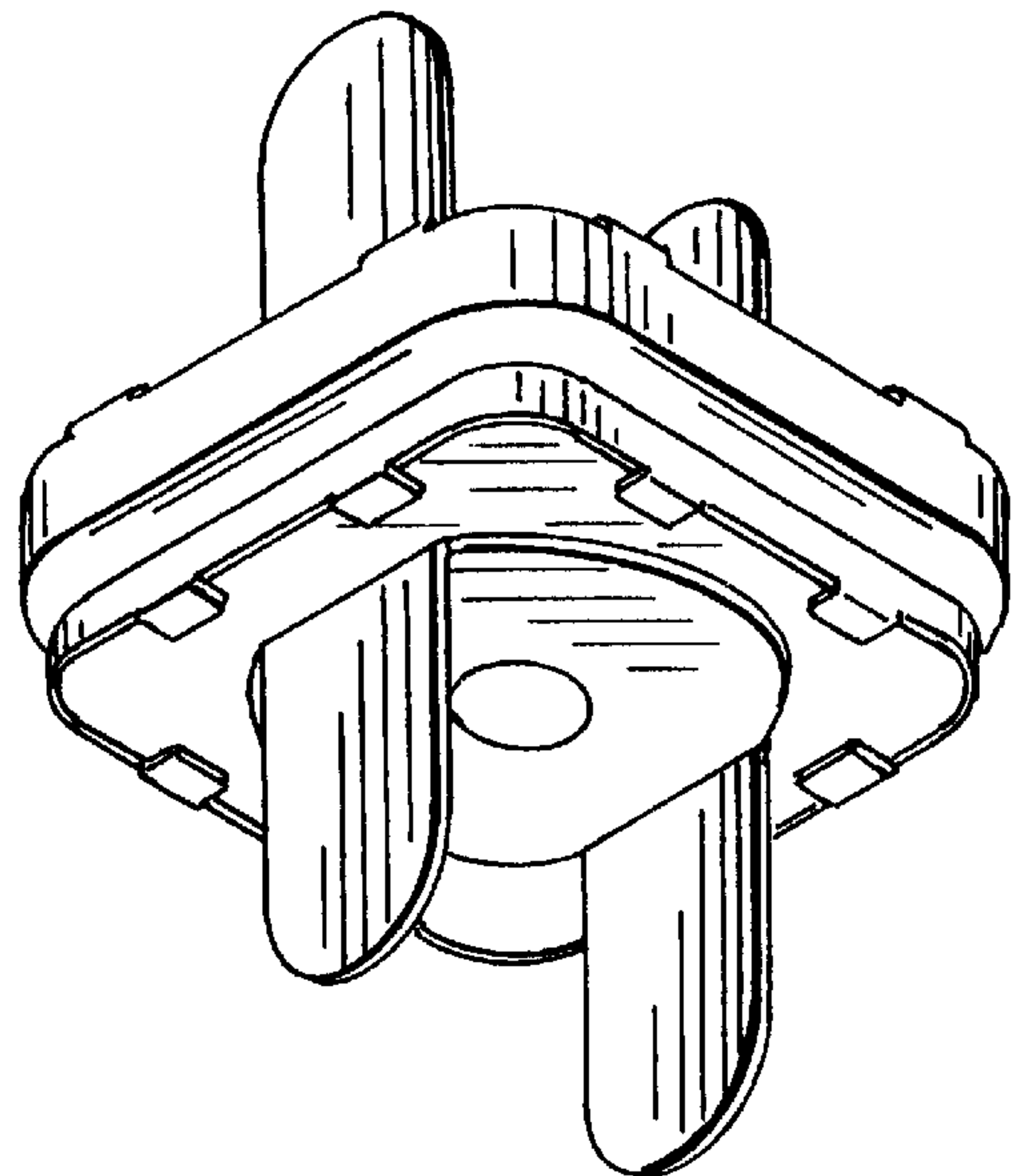


Fig. 4