



US00D454481S

(12) **United States Design Patent**
DeLine

(10) **Patent No.:** **US D454,481 S**

(45) **Date of Patent:** **** Mar. 19, 2002**

(54) **SELF-INTERLOCKING HANGER**

(75) **Inventor:** **Kenneth E. DeLine**, Fort Collins, CO (US)

(73) **Assignee:** **Venture Management Alliance, LLC**, Fort Collins, CO (US)

(**) **Term:** **14 Years**

(21) **Appl. No.:** **29/149,734**

(22) **Filed:** **Oct. 15, 2001**

Related U.S. Application Data

(63) Continuation of application No. 09/959,130, filed as application No. PCT/US01/09563 on Mar. 23, 2001.

(60) Provisional application No. 60/191,993, filed on Mar. 24, 2000.

(51) **LOC (7) Cl.** **08-05**

(52) **U.S. Cl.** **D8/373**

(58) **Field of Search** D8/373, 367, 371, D8/354, 380; 248/489, 301, 497, 493, 495, 300, 544; 52/36.5; 211/87.01, 94.01

(56) **References Cited**

U.S. PATENT DOCUMENTS

3,861,639 A	1/1975	Morrill	248/489
3,955,790 A	5/1976	Ballin	248/489
3,982,719 A	9/1976	Kilborne	248/489
4,026,510 A	5/1977	Holmes	248/493
4,069,998 A	1/1978	Rytting	248/476
4,171,117 A	10/1979	Prochaska	248/495
4,244,549 A	1/1981	Oldfield	248/494

4,333,625 A	6/1982	Haug	248/216.1
4,384,648 A	5/1983	Hart et al.	206/527
D275,730 S	10/1984	Melley	D8/373
4,641,807 A	2/1987	Phillips	248/480
4,645,165 A	2/1987	Raap	248/476
4,775,129 A	10/1988	Gleisten	248/493
4,883,247 A	11/1989	Crandall	248/542
5,048,788 A	9/1991	Lorincz	248/477
D322,389 S	* 12/1991	Harmon	D8/380
5,069,411 A	12/1991	Murphy	248/476
5,069,412 A	12/1991	Jacob	248/493
D361,260 S	8/1995	Trentham	D8/354
5,443,238 A	8/1995	Mitchell	248/498
5,507,462 A	4/1996	Hickey	248/489
D392,176 S	* 3/1998	Orser	D8/373
5,791,625 A	8/1998	Orser	248/495
5,906,349 A	5/1999	Roy	248/489
5,947,438 A	9/1999	Lemire	248/476
D421,714 S	* 3/2000	Moscovitch et al.	D8/373

* cited by examiner

Primary Examiner—Pamela Burgess

(74) *Attorney, Agent, or Firm*—Santangelo Law Offices, P.C.

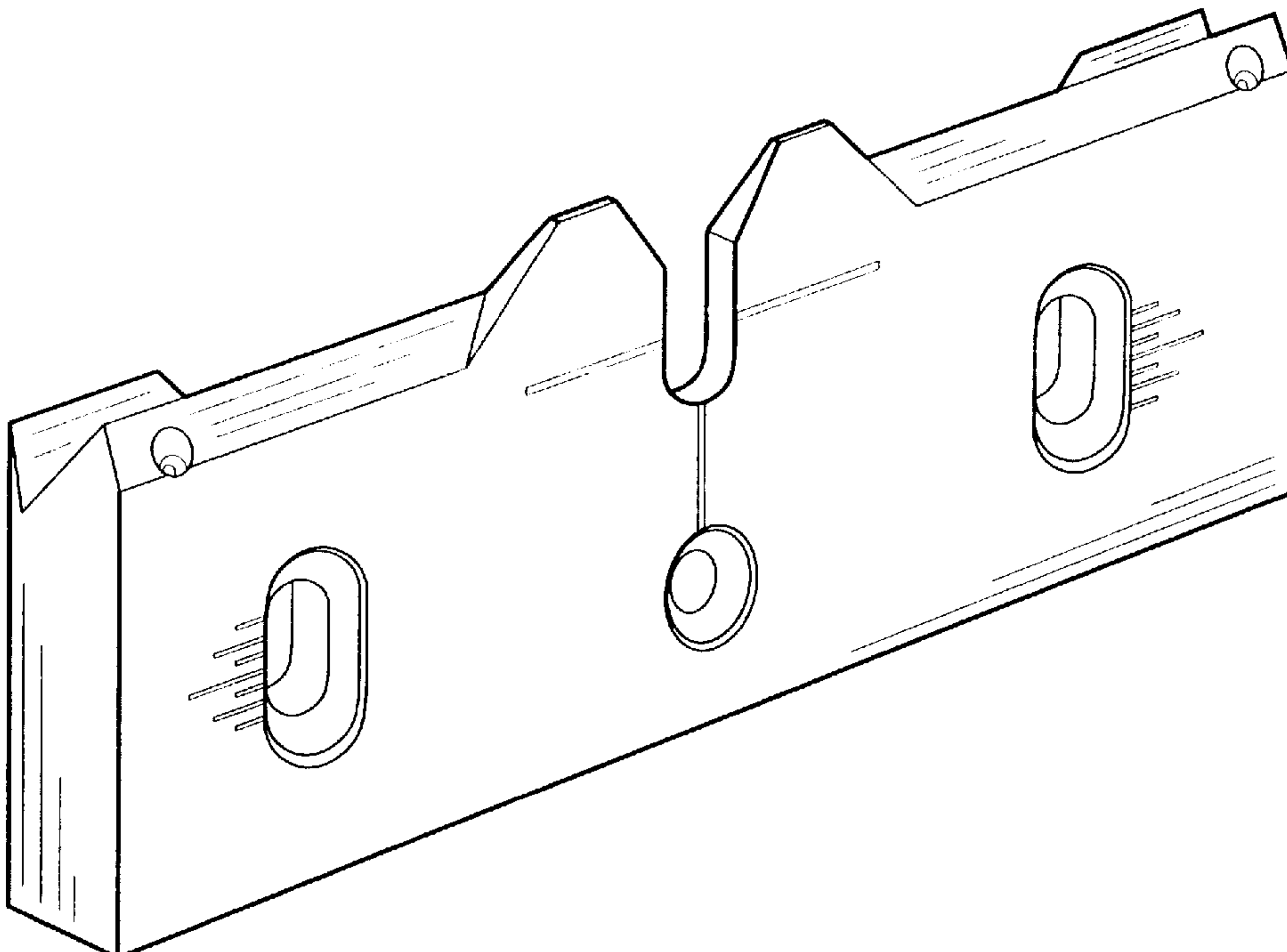
(57) **CLAIM**

The ornamental design for a self-interlocking hanger, as shown and described.

DESCRIPTION

FIG. 1 is a front, top, left side perspective view of a self-interlocking hanger showing my new design; and, FIG. 2 is a back, top, right side perspective view thereof.

1 Claim, 2 Drawing Sheets



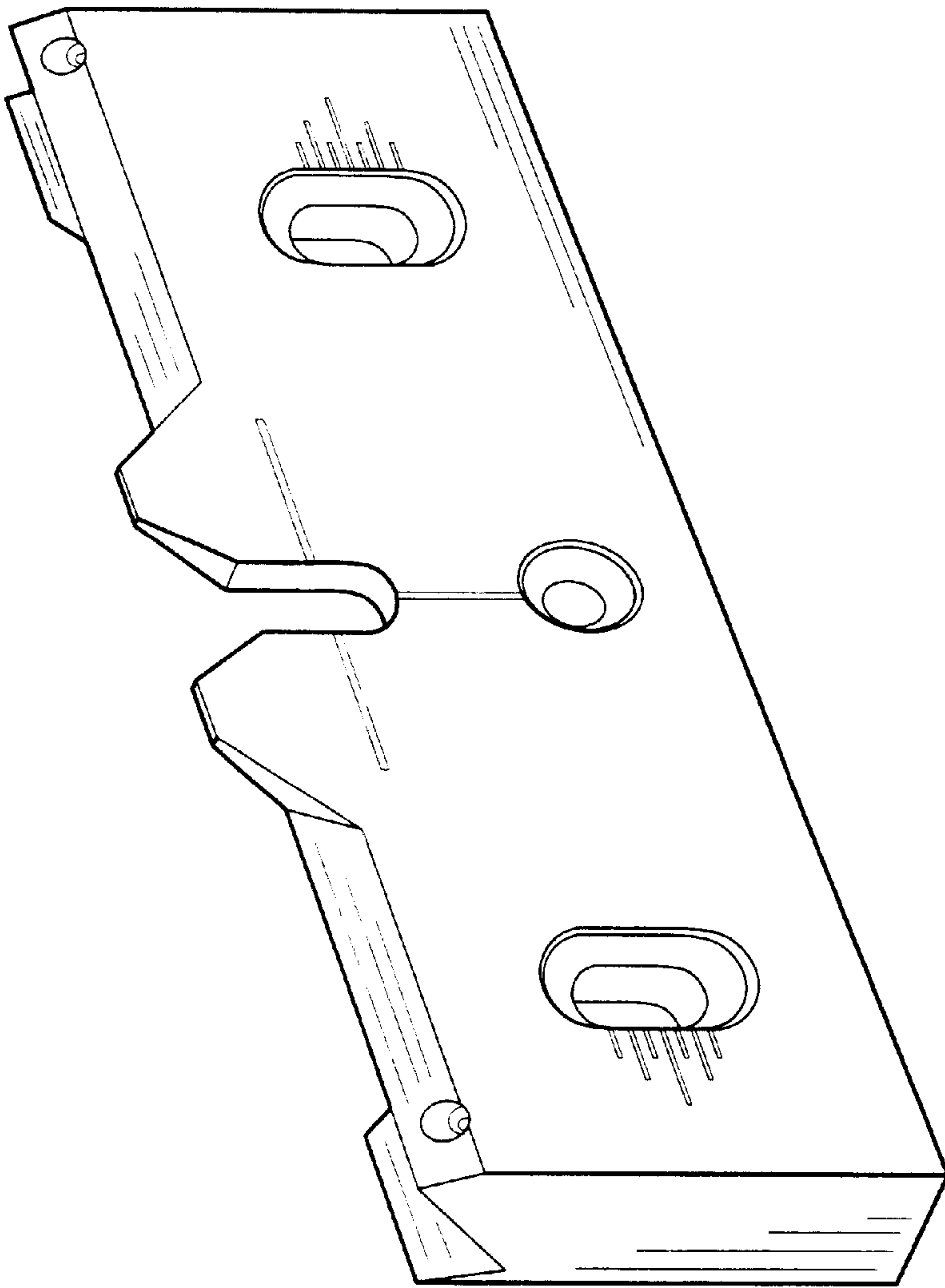


Fig. 1

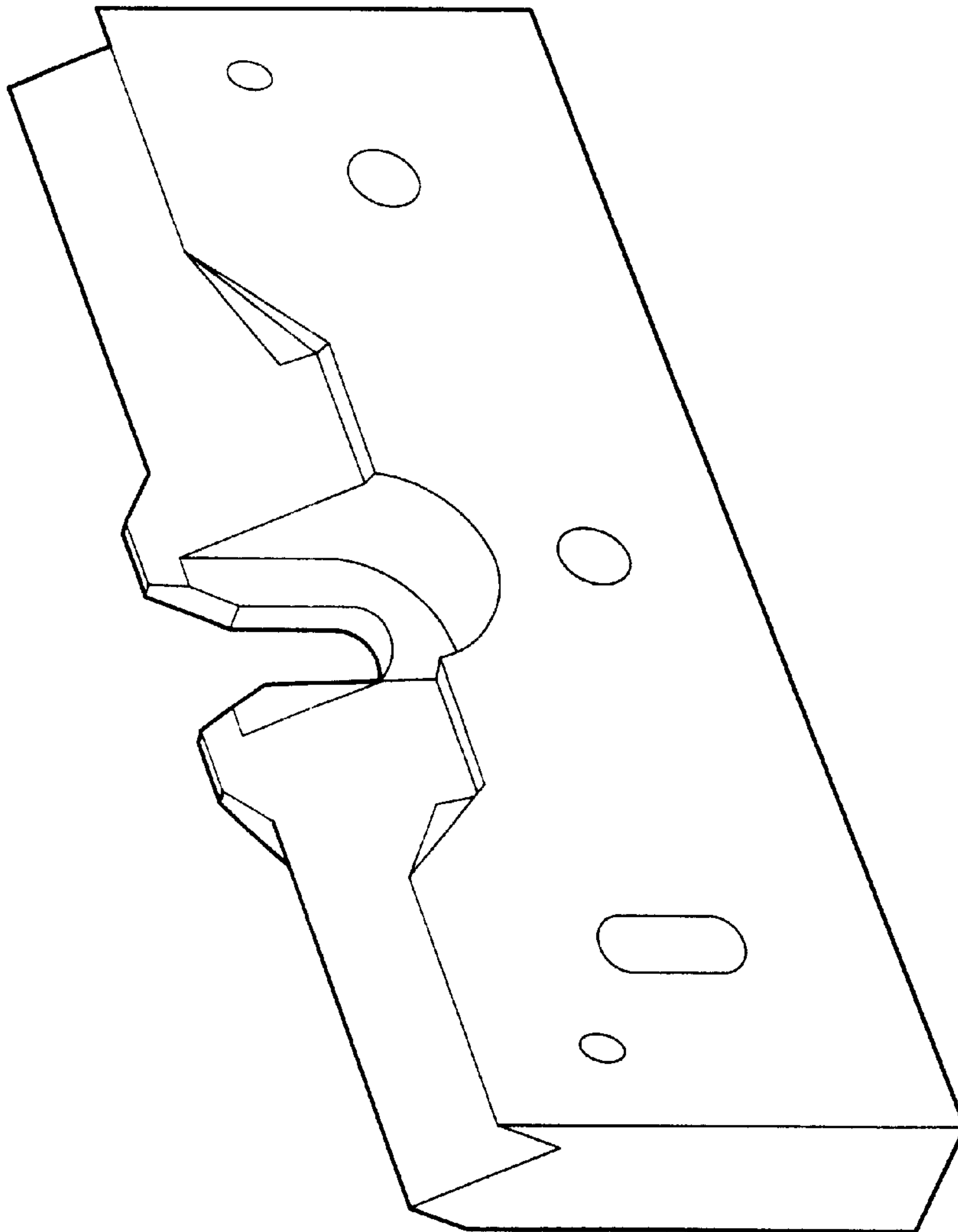


Fig. 2