



US00D454480S

(12) **United States Design Patent**
Ou-Young

(10) **Patent No.:** **US D454,480 S**

(45) **Date of Patent:** **** Mar. 19, 2002**

(54) **ROBE HOOK**

(75) Inventor: **Ming Ou-Young, Tai Chung (TW)**

(73) Assignee: **Globe Union America Corporation,**
Bolingbrook, IL (US)

(**) Term: **14 Years**

(21) Appl. No.: **29/136,912**

(22) Filed: **Feb. 9, 2001**

(51) **LOC (7) Cl.** **08-07**

(52) **U.S. Cl.** **D8/367; D6/323**

(58) **Field of Search** **D6/524, 553, 567,**
D6/323, 316, 320, 546; D8/367, 350, 352;
248/304, 309.1, 87.01, 106.01

(56) **References Cited**

U.S. PATENT DOCUMENTS

D251,462 S	4/1979	Tegner	
D267,455 S	* 1/1983	Cohen	D8/367
D281,838 S	* 12/1985	Thompson	D6/323
D298,895 S	12/1988	Sharpe	
D312,935 S	12/1990	Chap et al.	
D317,691 S	6/1991	Wang	
D318,590 S	* 7/1991	McKeone	D6/524

D330,636 S	* 11/1992	Sharpe	D6/323
D334,315 S	3/1993	Bengtson	
D397,256 S	* 8/1998	Moore et al.	D6/323
D417,112 S	* 11/1999	Chen	D6/546
D426,390 S	* 6/2000	Green et al.	D6/323
D432,843 S	10/2000	Gastelum et al.	
D436,452 S	* 1/2001	Gastelum et al.	D6/323
D442,073 S	* 5/2001	Lyndon	D8/367

* cited by examiner

Primary Examiner—Brian N. Vinson

(74) *Attorney, Agent, or Firm*—Brinks Hofer Gilson & Lione

(57) **CLAIM**

The ornamental design for a robe hook, as shown and described.

DESCRIPTION

FIG. 1 is a perspective view showing our new design.
FIG. 2 is a top view thereof.
FIG. 3 is a side view thereof.
FIG. 4 is a bottom view thereof.
FIG. 5 is a front view thereof; and,
FIG. 6 is a back view thereof.

1 Claim, 1 Drawing Sheet

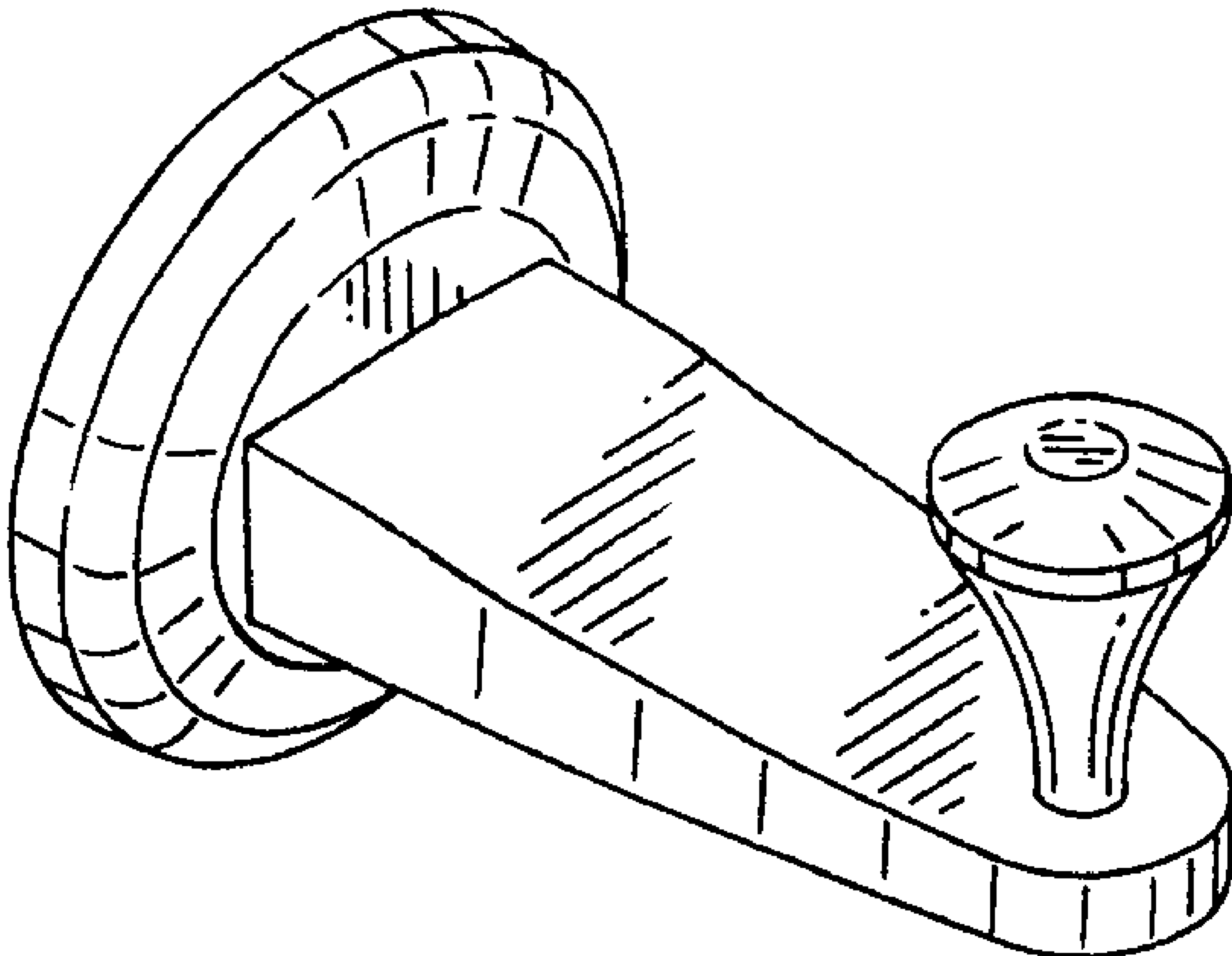


FIG. 1

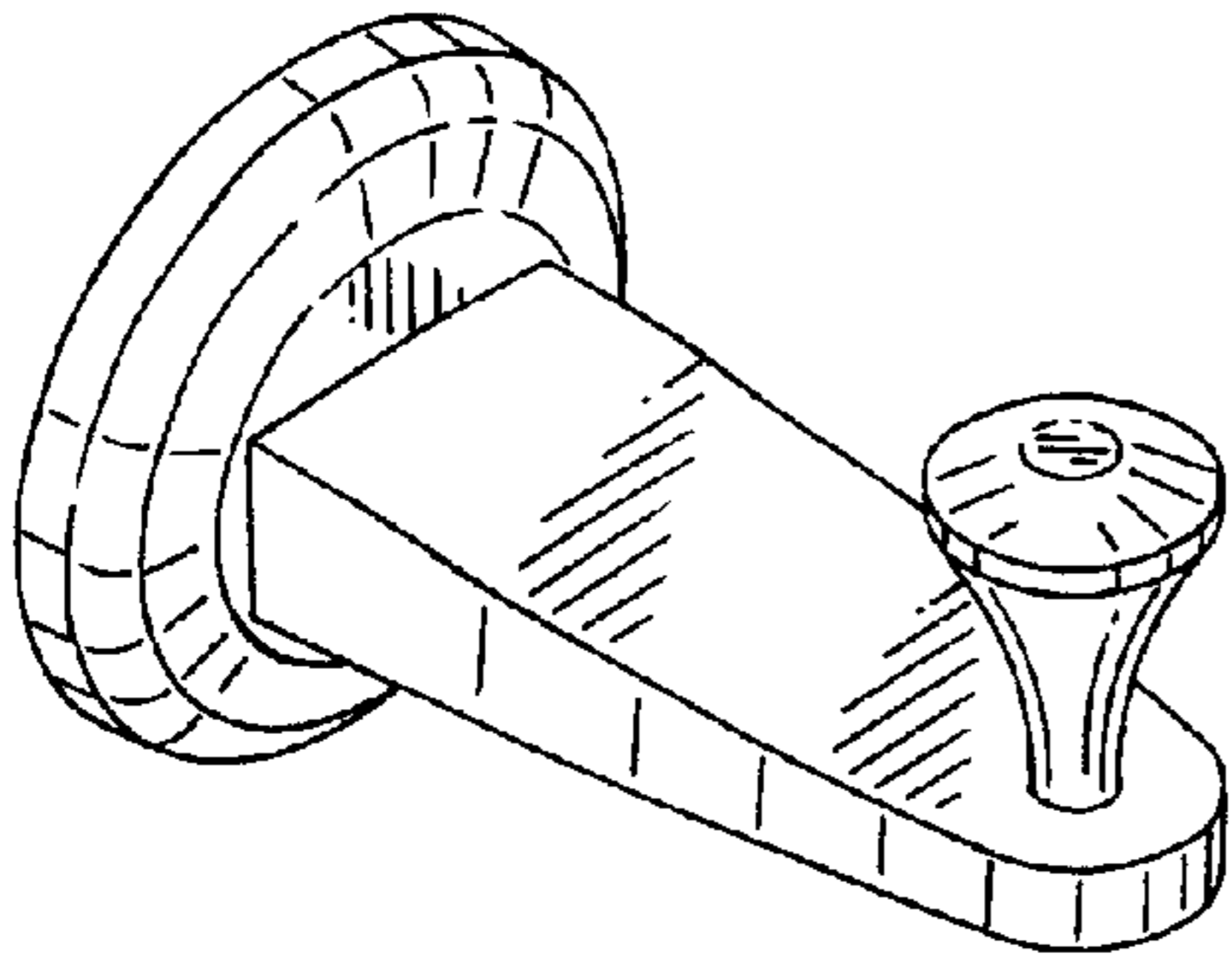


FIG. 4

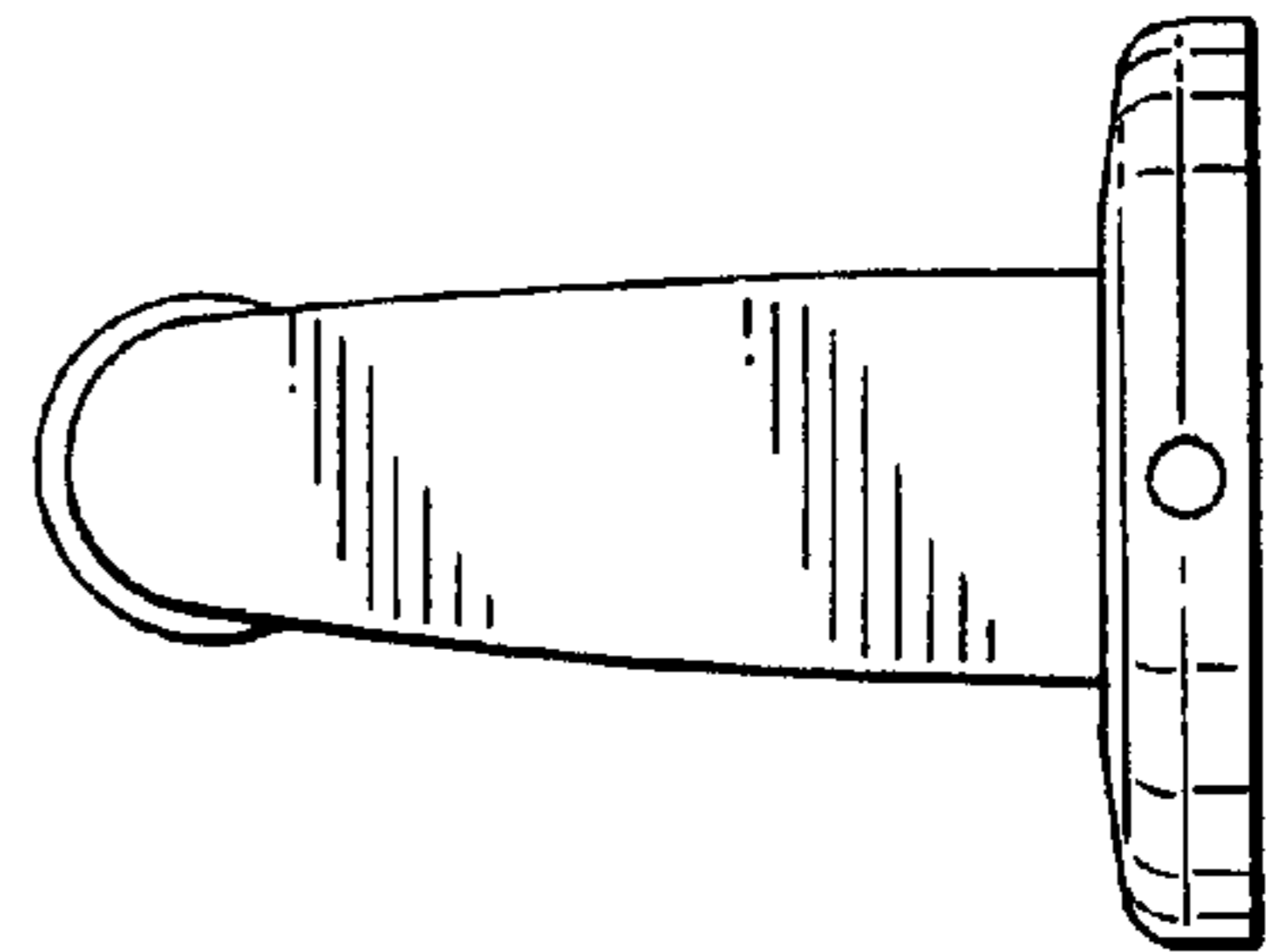


FIG. 2

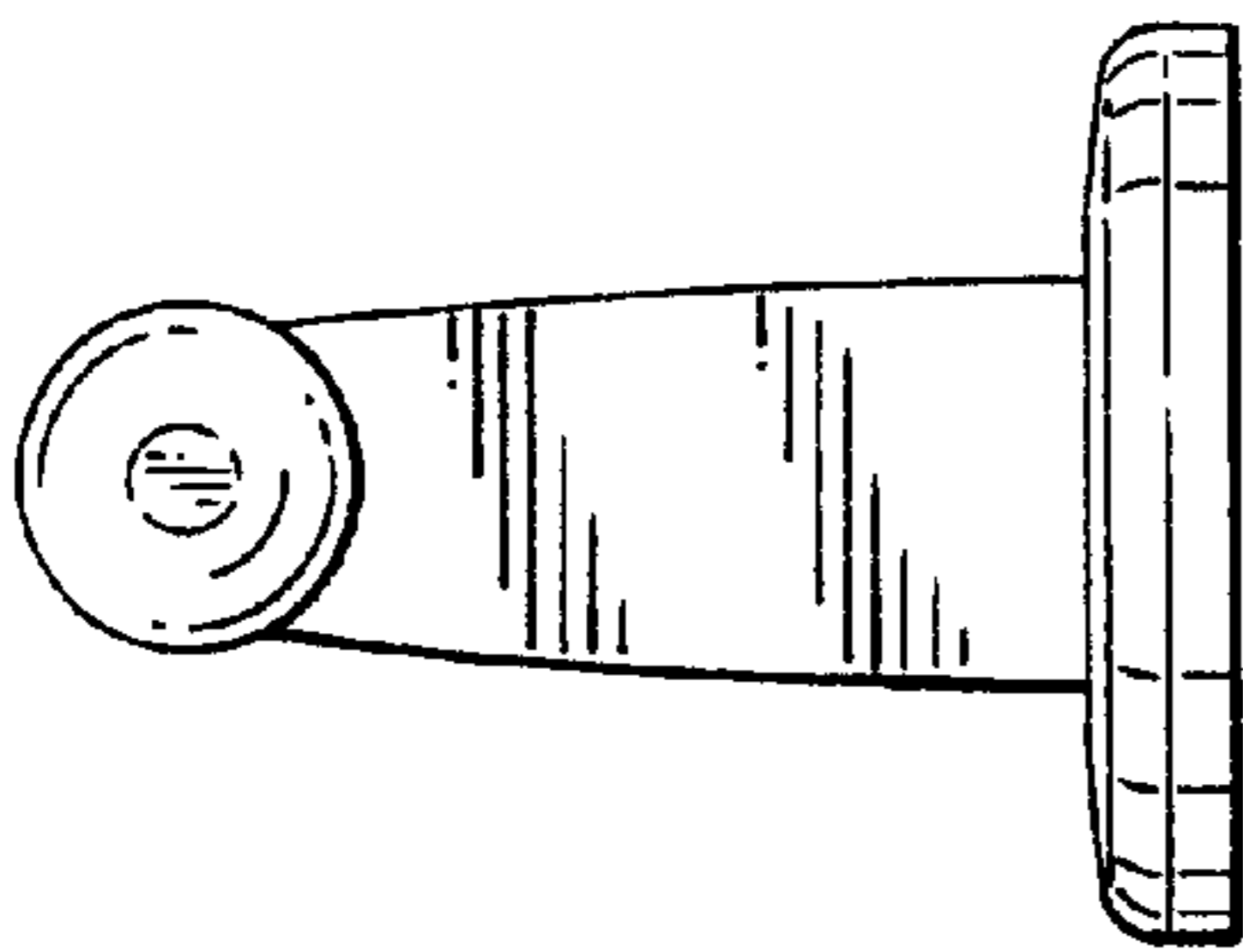


FIG. 5

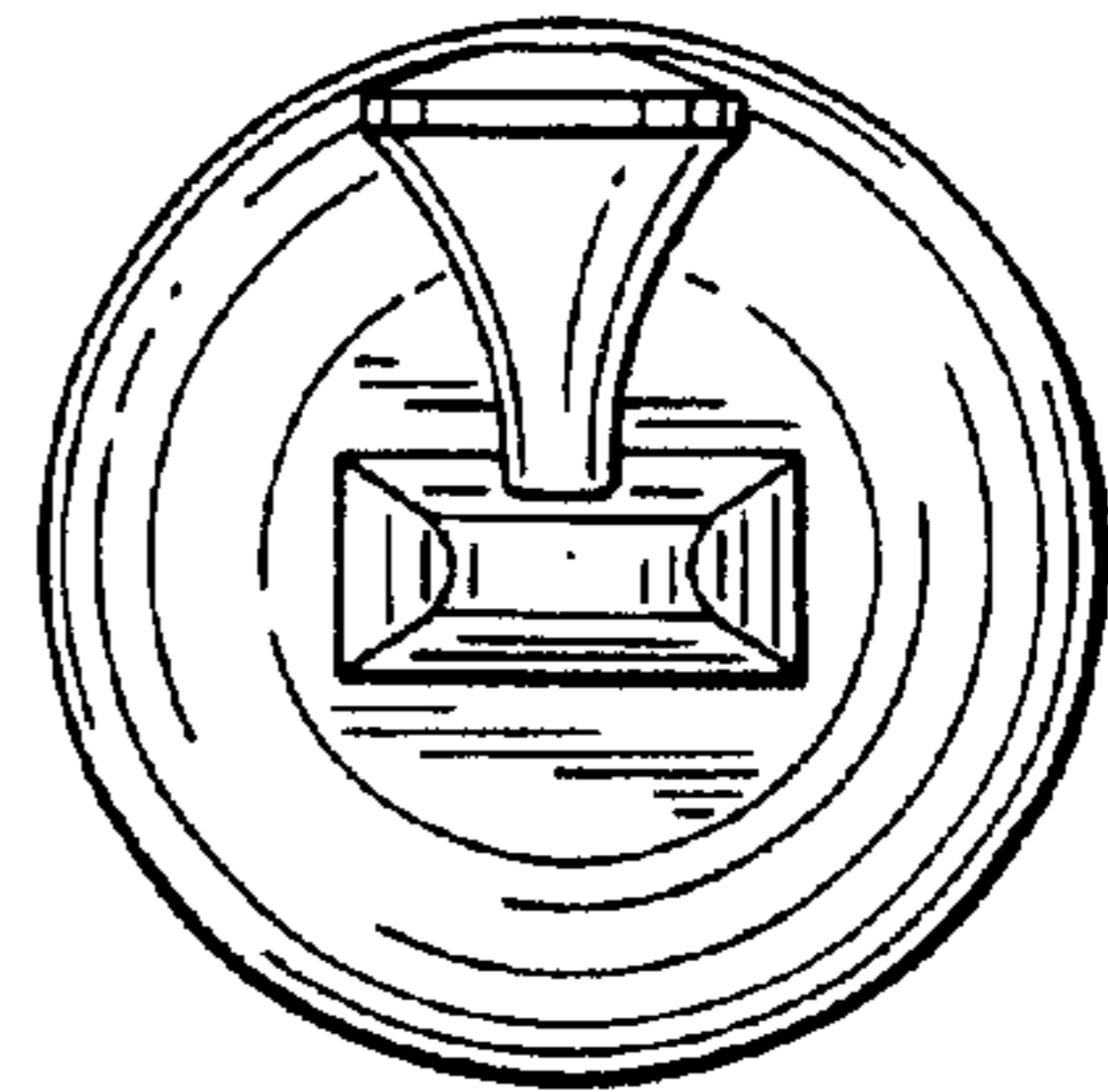


FIG. 3

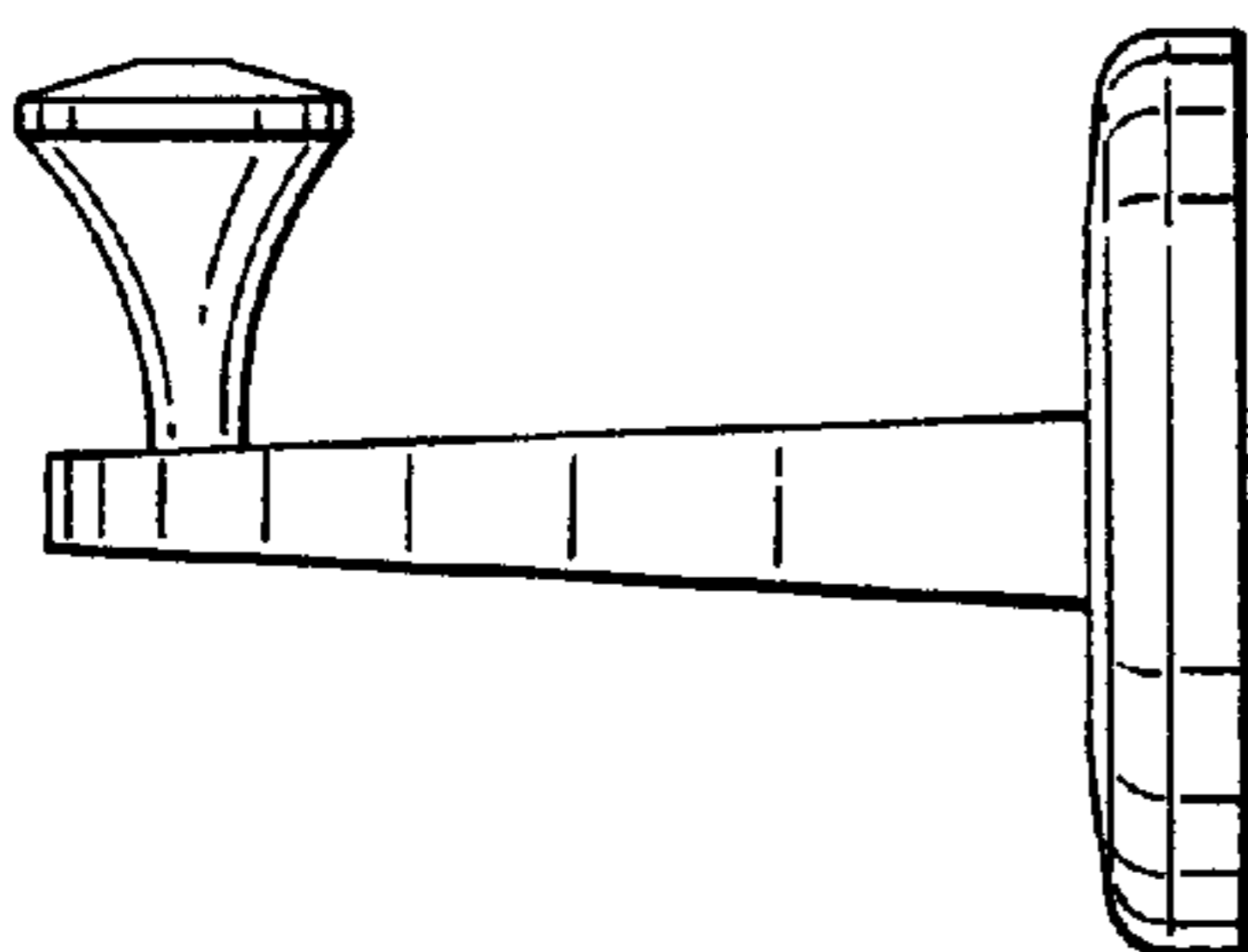
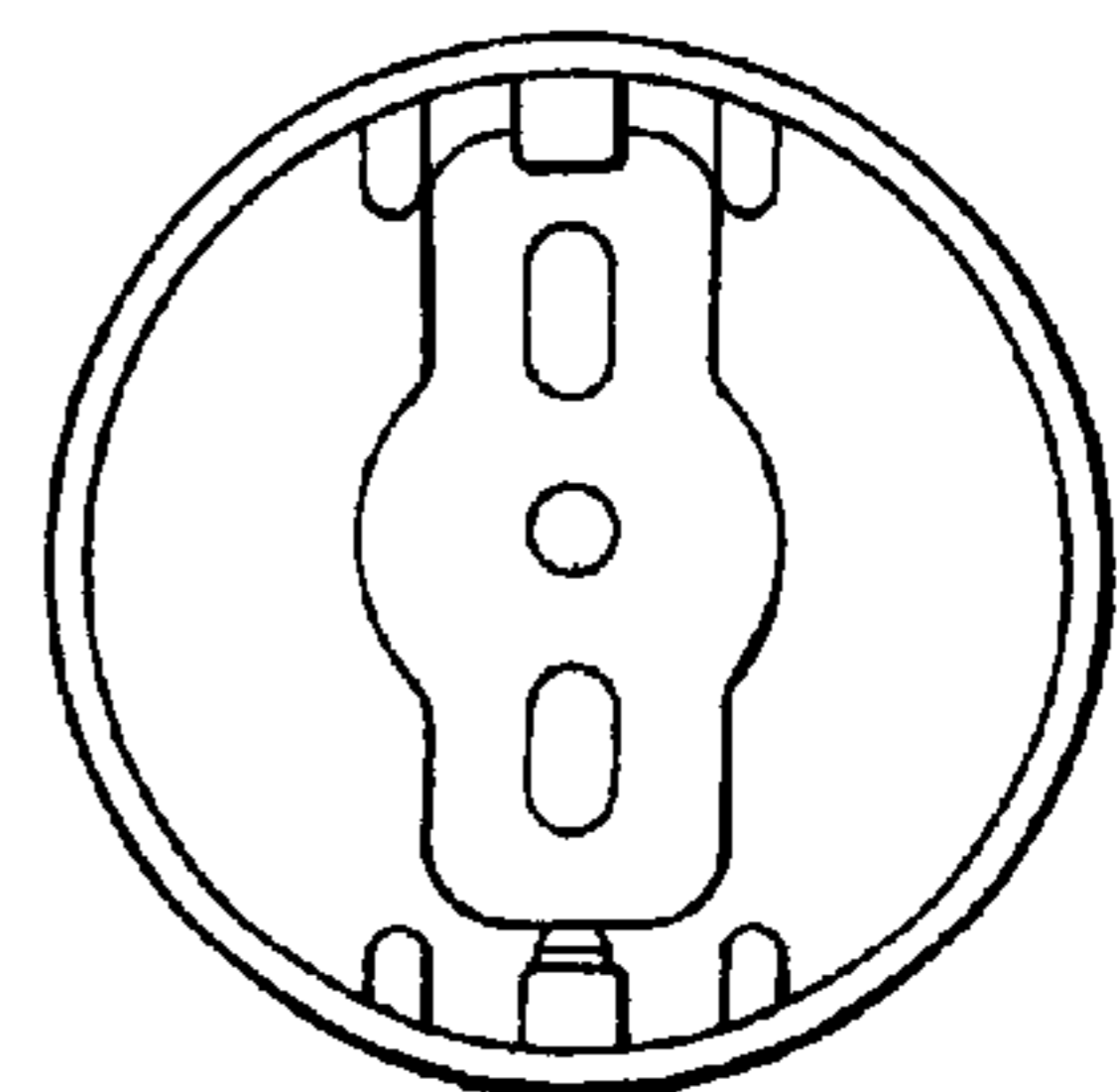


FIG. 6



UNITED STATES PATENT AND TRADEMARK OFFICE
CERTIFICATE OF CORRECTION

PATENT NO. : Des. 454,480 S
DATED : March 19, 2002
INVENTOR(S) : Chung-Fang Chen

Page 1 of 1

It is certified that error appears in the above-identified patent and that said Letters Patent is hereby corrected as shown below:

Title page,

Item [12], delete “**Ou-Young**” and substitute -- **Chen** -- in its place.

Item [75], delete “**Ming Ou-Young,**” and substitute -- **Chung-Fang Chen,** -- in its place.

Signed and Sealed this

Twenty-fifth Day of February, 2003

A handwritten signature in black ink, appearing to read "James E. Rogan", written over a horizontal line.

JAMES E. ROGAN
Director of the United States Patent and Trademark Office