



US00D454475S

(12) **United States Design Patent**
Taga

(10) **Patent No.:** **US D454,475 S**

(45) **Date of Patent:** **** Mar. 19, 2002**

(54) **END CAP FOR PORTABLE
DOUBLE-KNOCK-TYPE AIR IMPACT
WRENCH**

D384,562 S * 10/1997 Sung D8/68
D410,181 S * 5/1999 Sung D8/68
D410,830 S * 6/1999 Pusateri et al. D8/68

(76) **Inventor:** **Koji Taga**, 1-14-1 Tsurugamai,
Ohi-machi, Iruma-gun, Saitama (JP)

* cited by examiner

(**) **Term:** **14 Years**

Primary Examiner—Doris V. Coles

Assistant Examiner—Elizabeth A. Albert

(21) **Appl. No.:** **29/137,226**

(74) *Attorney, Agent, or Firm*—Jordan and Hamburg LLP

(22) **Filed:** **Feb. 15, 2001**

(30) **Foreign Application Priority Data**

Dec. 14, 2000 (JP) 2000-035735

(51) **LOC (7) Cl.** **08-05**

(52) **U.S. Cl.** **D8/61; D8/68**

(58) **Field of Search** D8/61, 62, 63,
D8/64, 68, 69; D15/122, 127, 132; 81/57.13,
57.14, 52, 54, 121.1; 140/122; 173/179;
408/124, 125, 132, 199

(56) **References Cited**

U.S. PATENT DOCUMENTS

D377,894 S * 2/1997 Sung D8/68
D378,891 S * 4/1997 Sung D8/68
D382,184 S * 8/1997 Sung D8/61

(57) **CLAIM**

The ornamental design for an end cap for portable double-knock-type air impact wrench, as shown and described.

DESCRIPTION

FIG. 1 is a front elevational view of an end cap for a portable double-knock-type air impact wrench showing my new design;

FIG. 2 is a rear elevational view thereof;

FIG. 3 is a top plan view thereof;

FIG. 4 is a bottom plan view thereof;

FIG. 5 is a right side elevational view thereof;

FIG. 6 is a left side elevational view thereof; and,

FIG. 7 is a perspective view thereof.

The broken line showing of a portable double-knock-type air impact wrench in FIGS. 1–7 is for illustrative purposes only and forms no part of the claimed design.

1 Claim, 7 Drawing Sheets

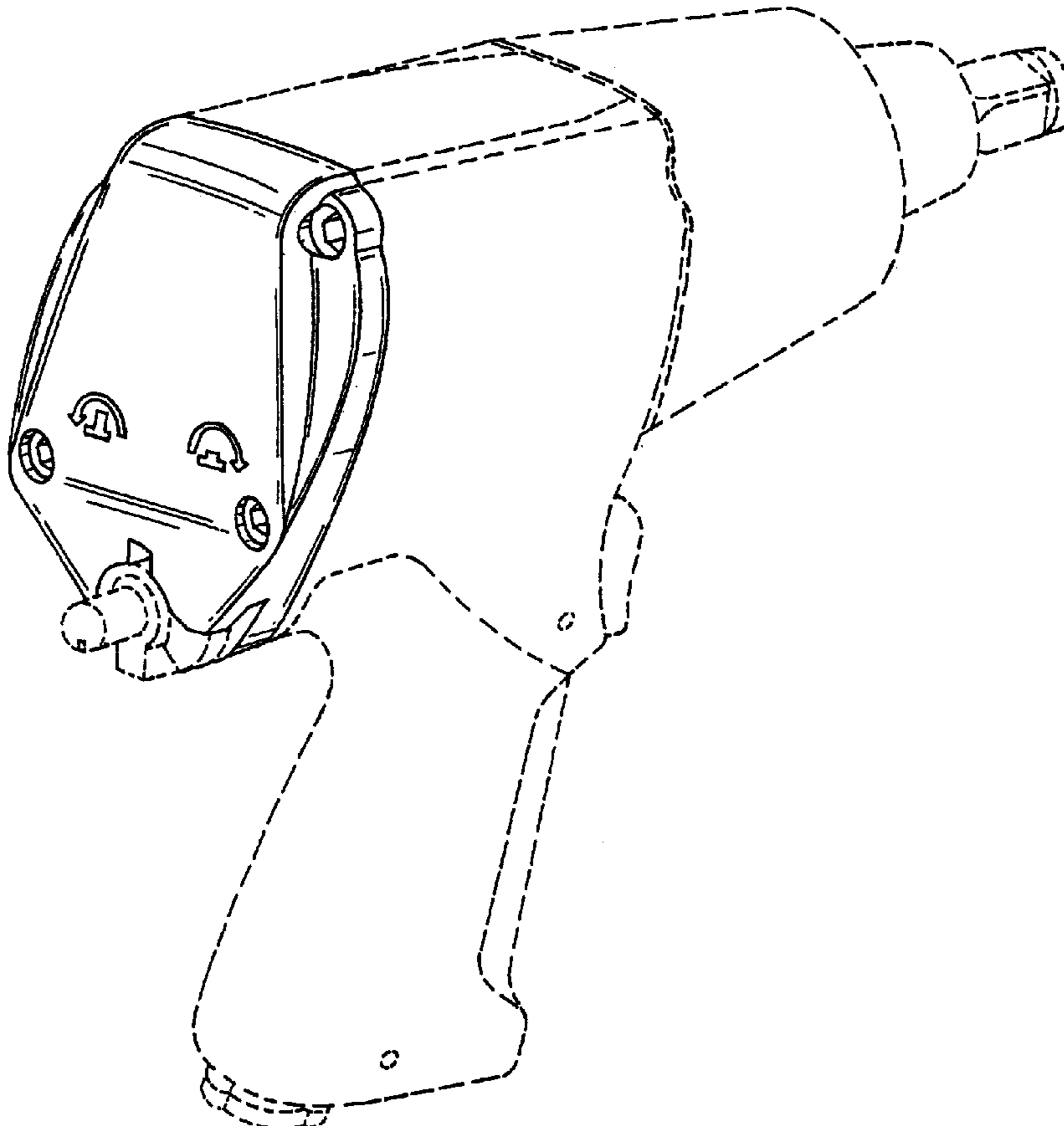


FIG. 1

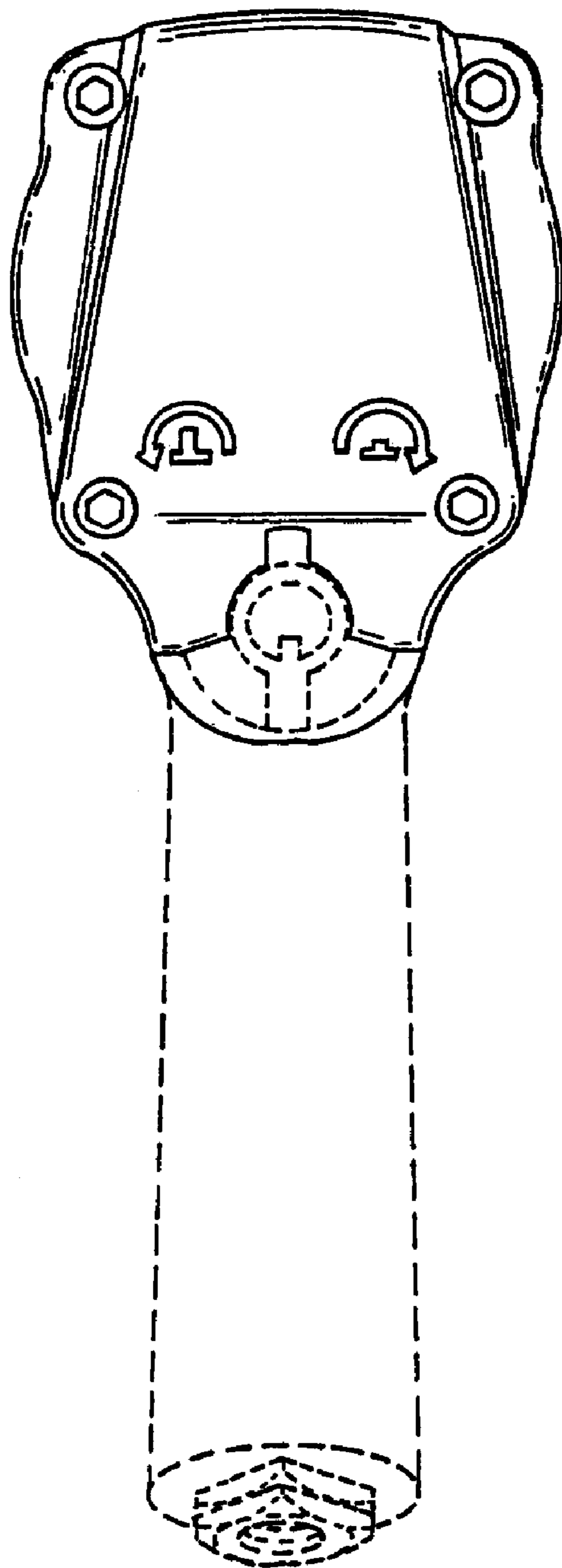


FIG.2

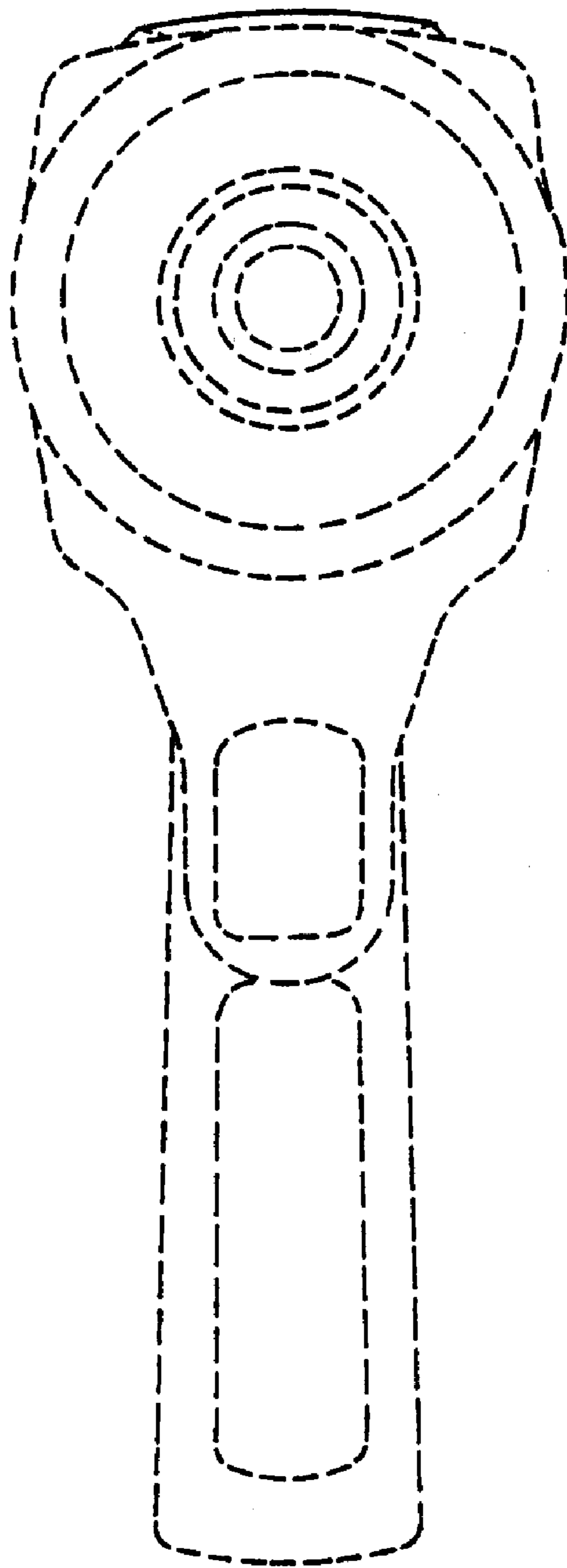


FIG. 3

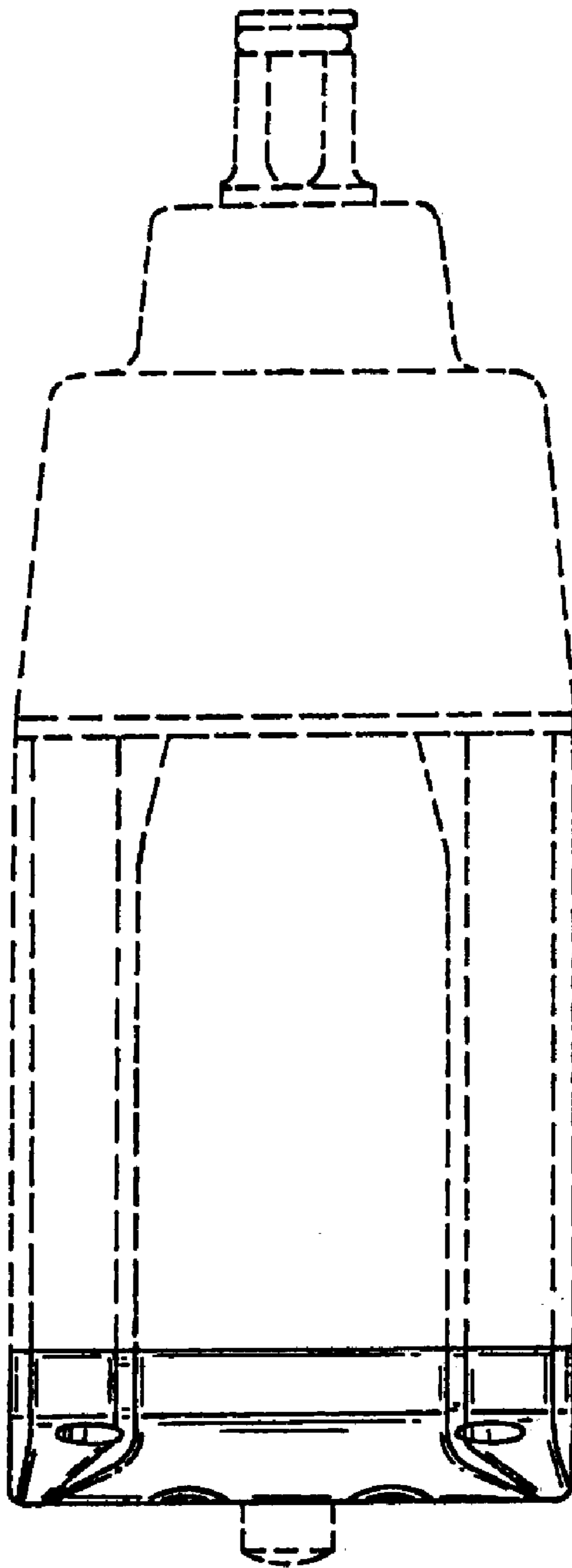


FIG. 4

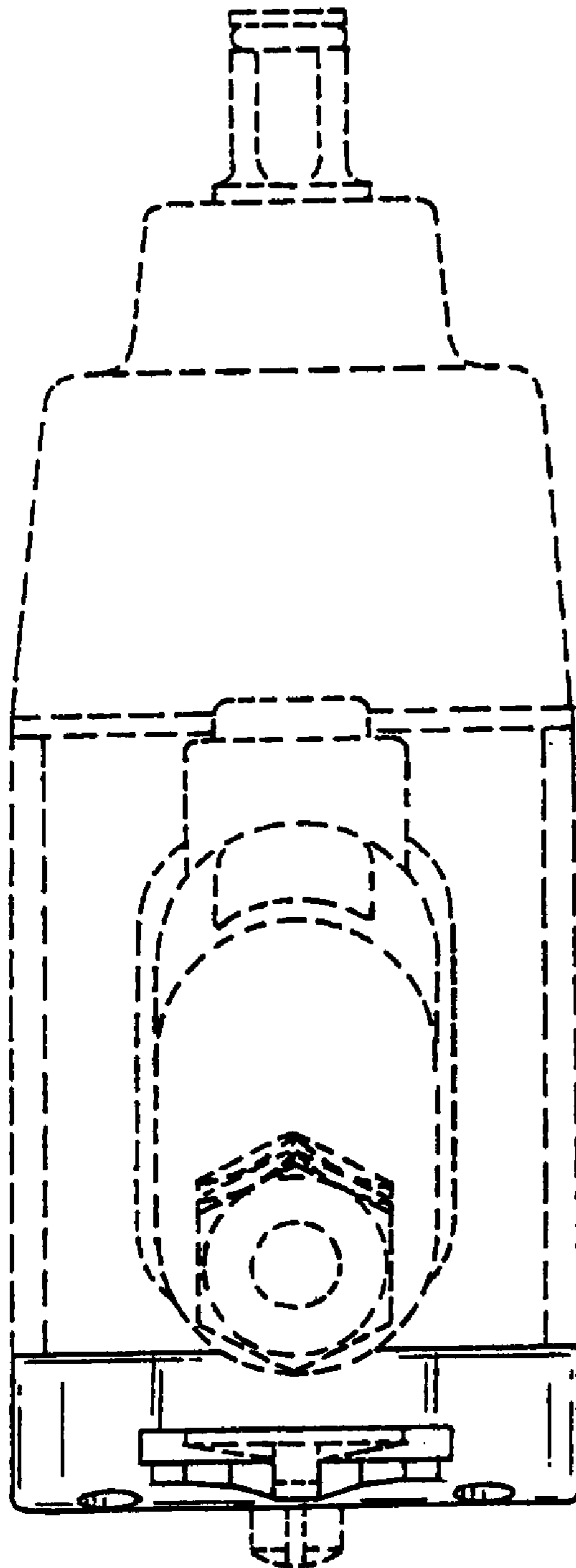


FIG.5

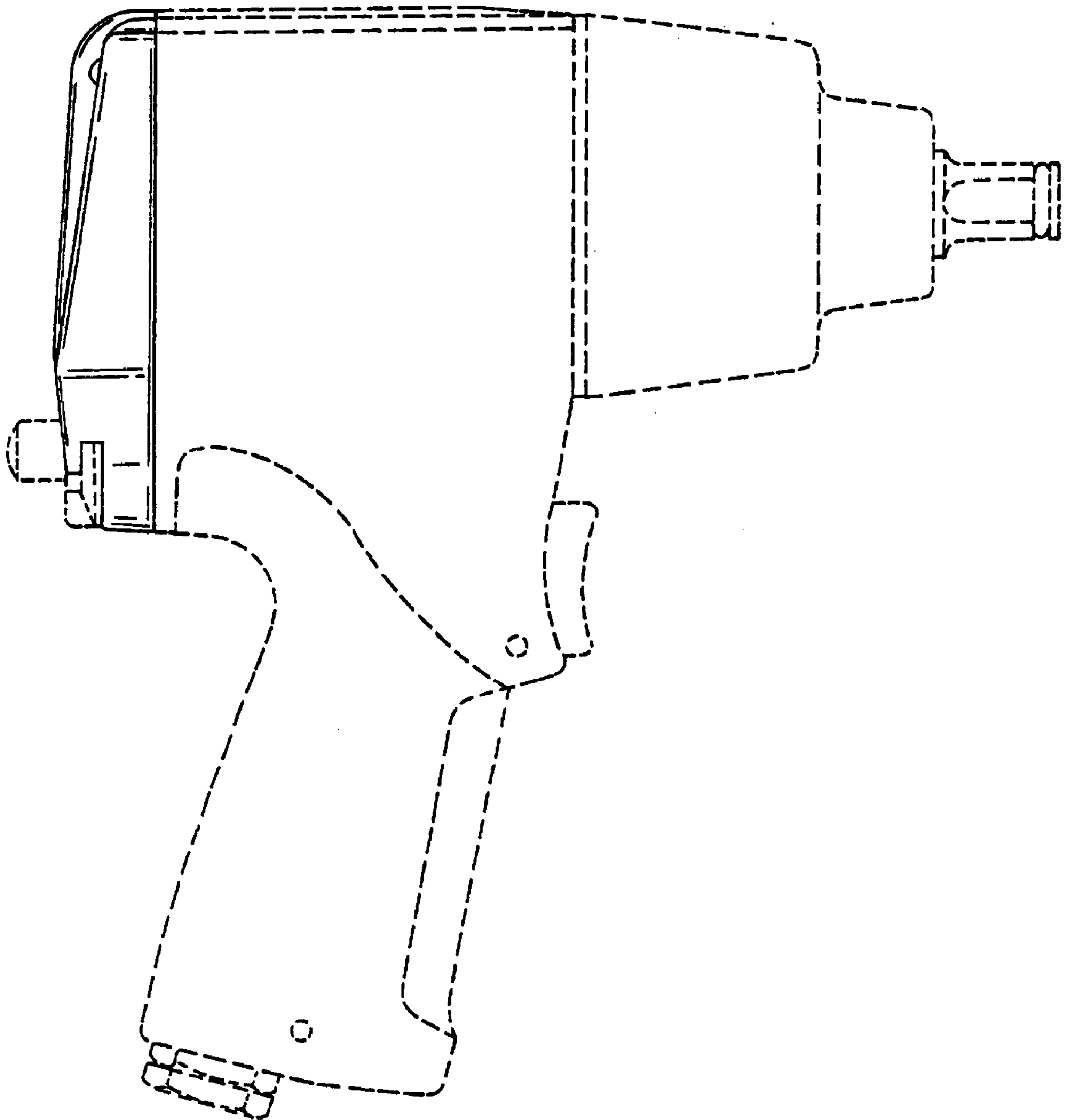


FIG.6

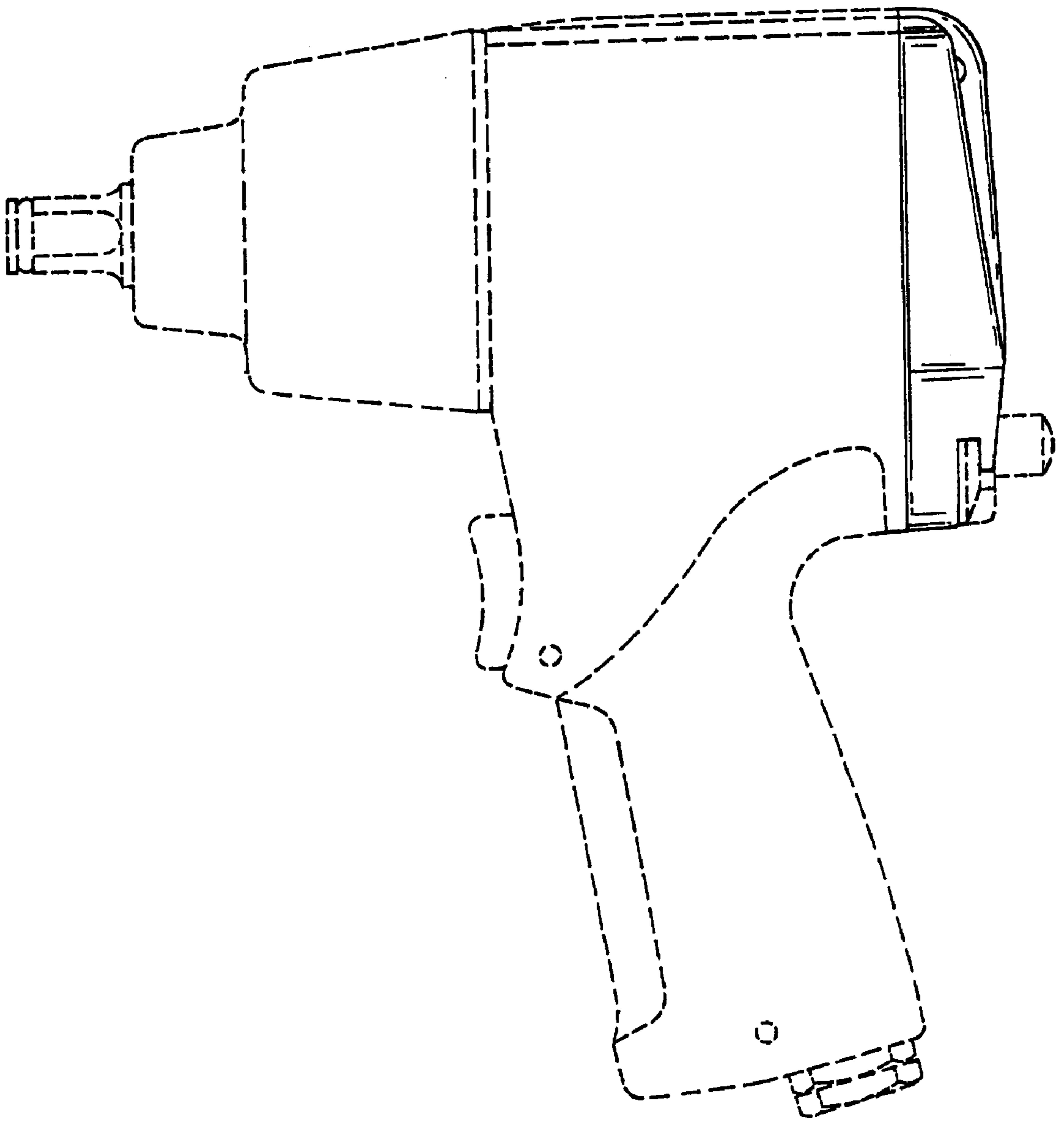


FIG. 7

