



US00D454473S

(12) **United States Design Patent**  
**Sum**

(10) **Patent No.:** **US D454,473 S**

(45) **Date of Patent:** **\*\* Mar. 19, 2002**

(54) **CORKSCREW**

D413,777 S \* 9/1999 Chang ..... D8/42  
D430,469 S \* 9/2000 Thuma ..... D8/42

(75) Inventor: **David Sum, Kowloon (HK)**

\* cited by examiner

(73) Assignee: **Forexim (HK) Limited, Kowloon (HK)**

*Primary Examiner*—Caron D. Veynar

(\*\*) Term: **14 Years**

(74) *Attorney, Agent, or Firm*—Salter & Michaelson

(21) Appl. No.: **29/136,087**

(57) **CLAIM**

(22) Filed: **Jan. 24, 2001**

The ornamental design for a corkscrew, as shown and described.

(30) **Foreign Application Priority Data**

**DESCRIPTION**

Jul. 27, 2000 (GB) ..... 2094518

FIG. 1 is a perspective view of a corkscrew;

(51) **LOC (7) Cl.** ..... **07-06**

FIG. 2 is a front elevational view thereof;

(52) **U.S. Cl.** ..... **D8/42**

FIG. 3 is a rear elevational view thereof;

(58) **Field of Search** ..... D8/33-43; 7/151-156;  
81/3.07-3.49

FIG. 4 is a left side elevational view thereof;

FIG. 5 is a right side elevational view thereof;

FIG. 6 is a top plan view thereof; and,

FIG. 7 is a bottom plan view thereof.

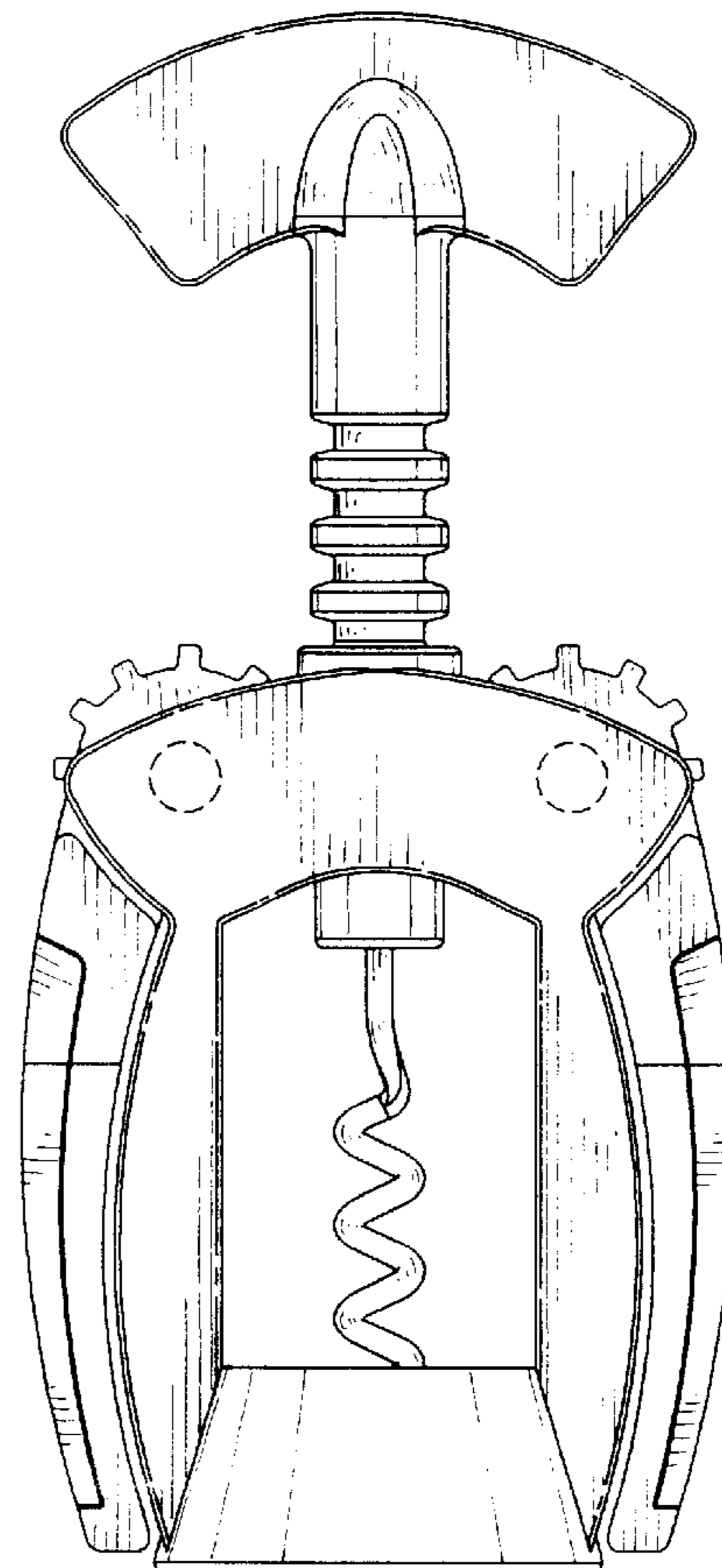
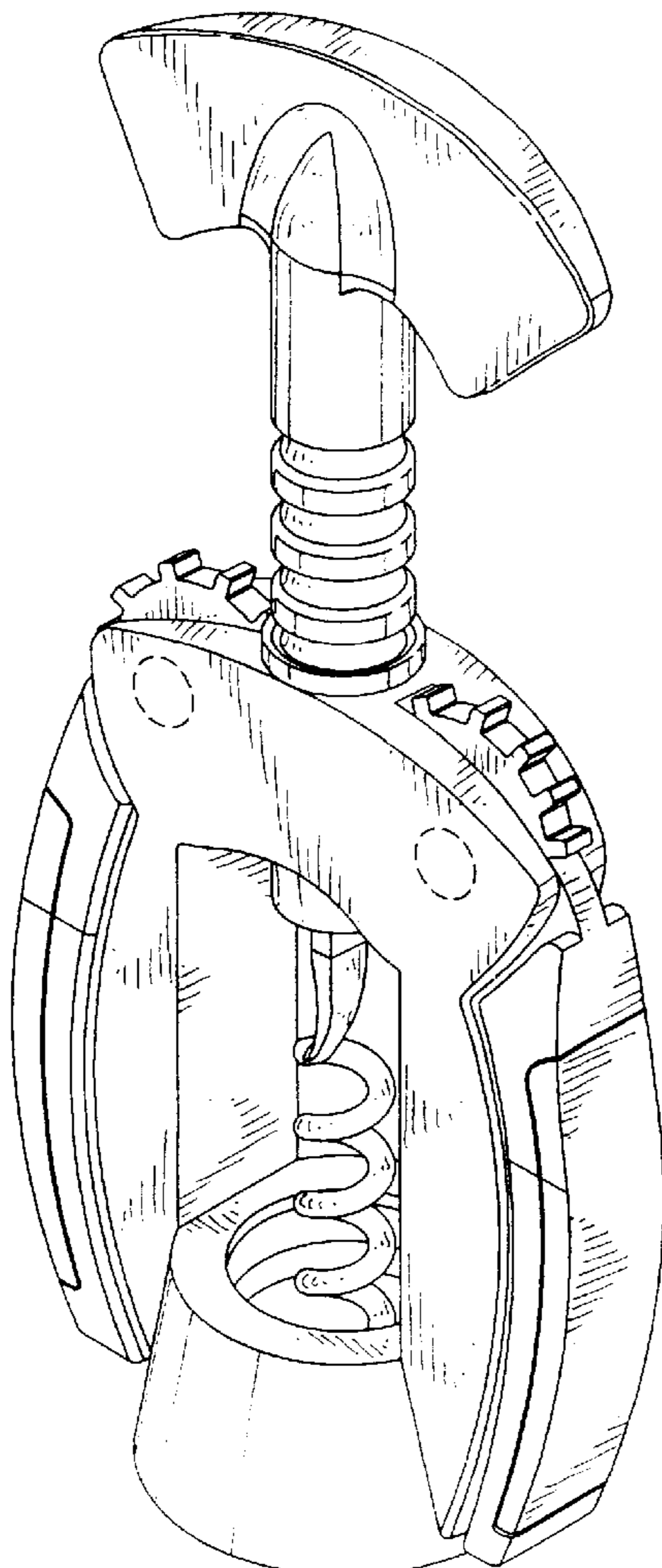
(56) **References Cited**

The portions shown in broken lines are included for illustrative purposes only and form no part of the claimed design.

**U.S. PATENT DOCUMENTS**

D184,613 S \* 3/1959 Gemelli ..... D8/38  
D228,613 S \* 10/1973 Ghidini ..... D8/42

**1 Claim, 3 Drawing Sheets**



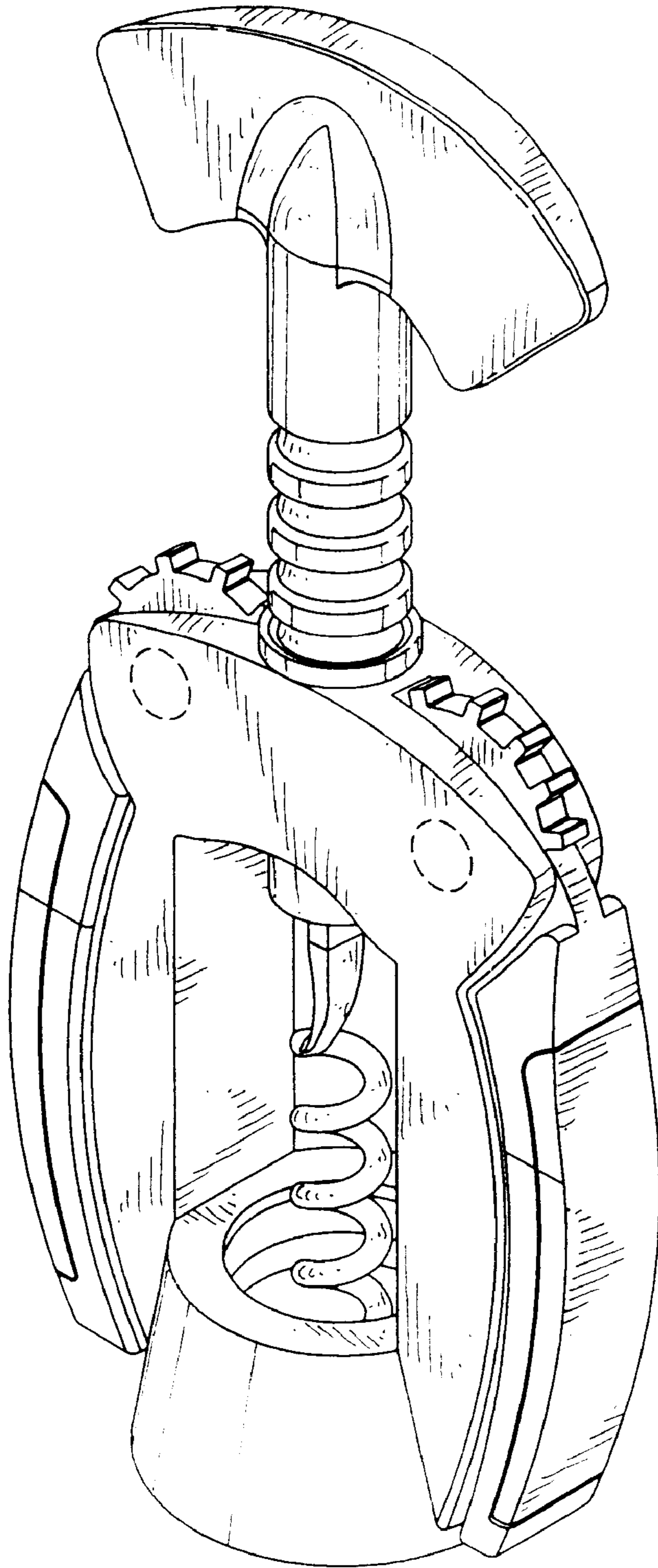


FIG. 1

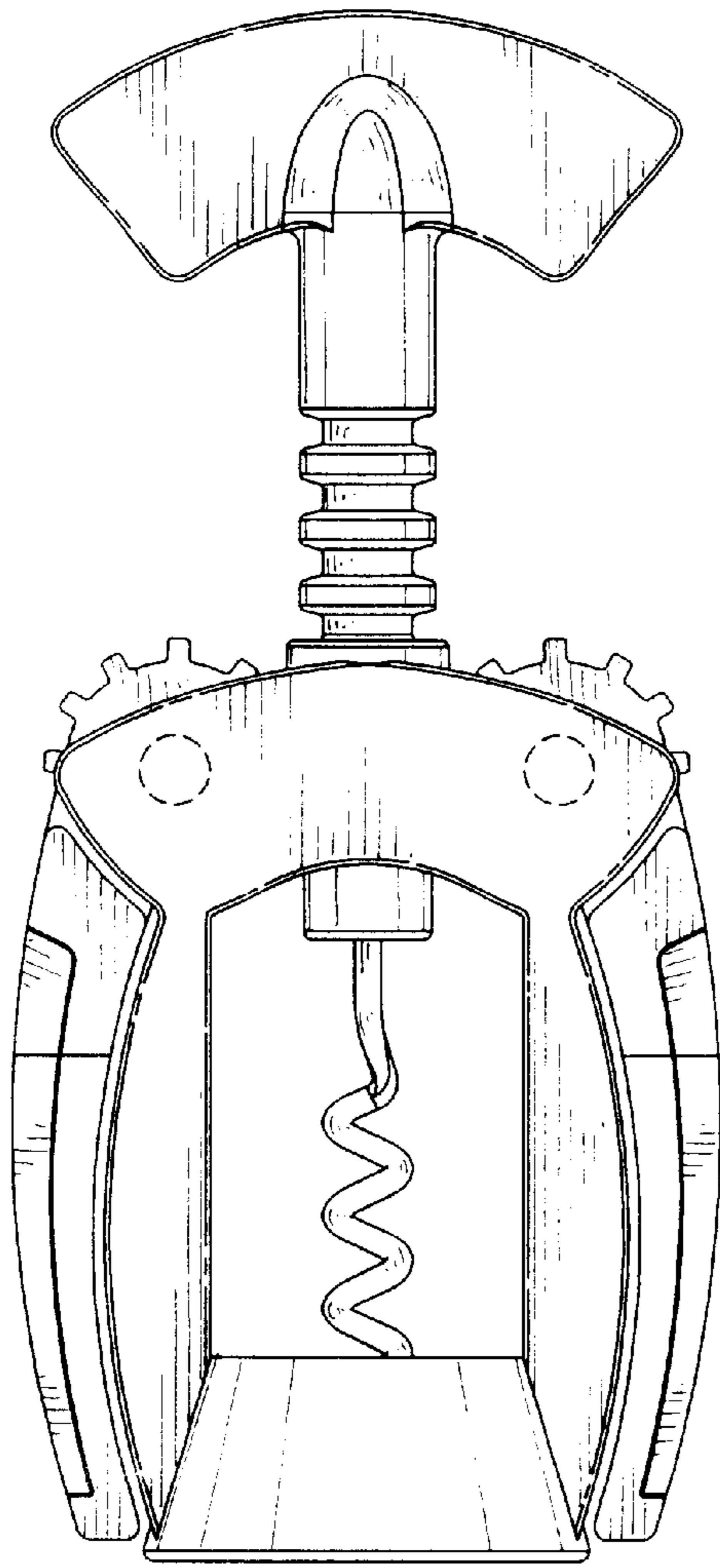


FIG. 2

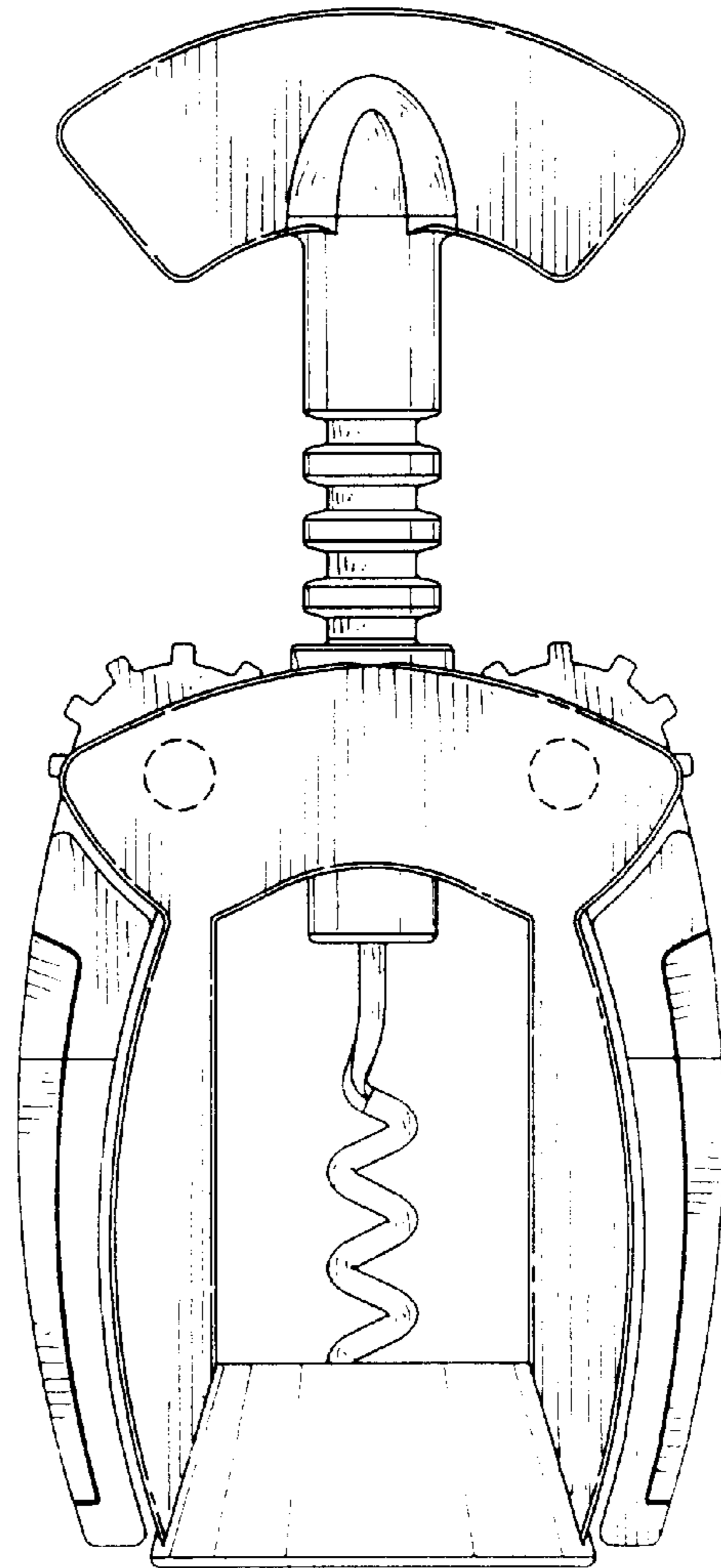


FIG. 3

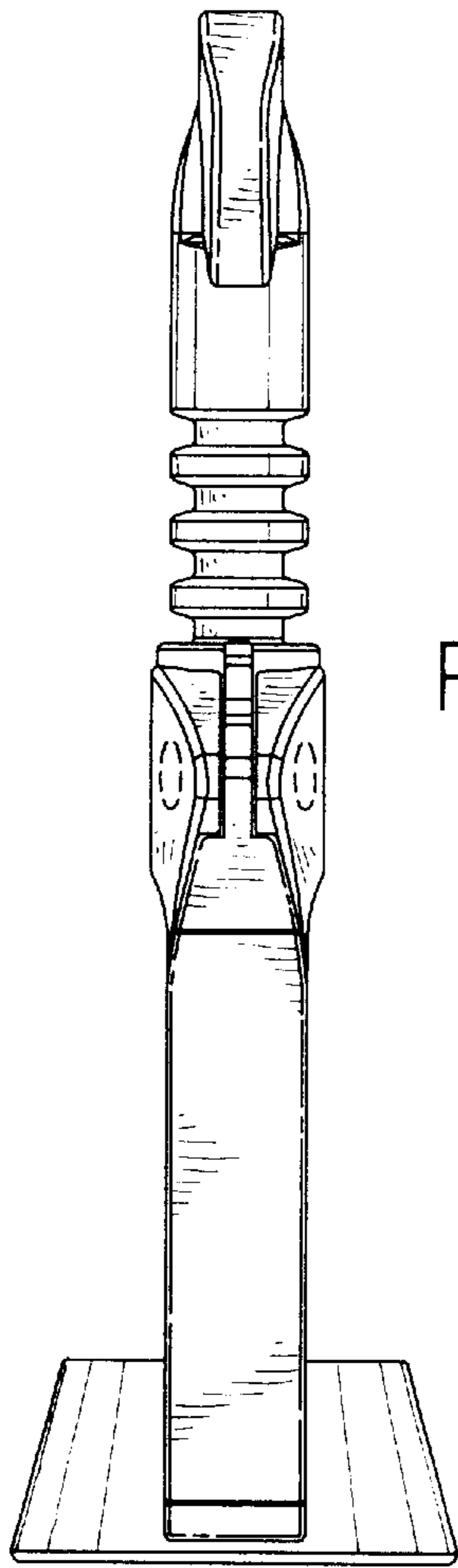


FIG. 4

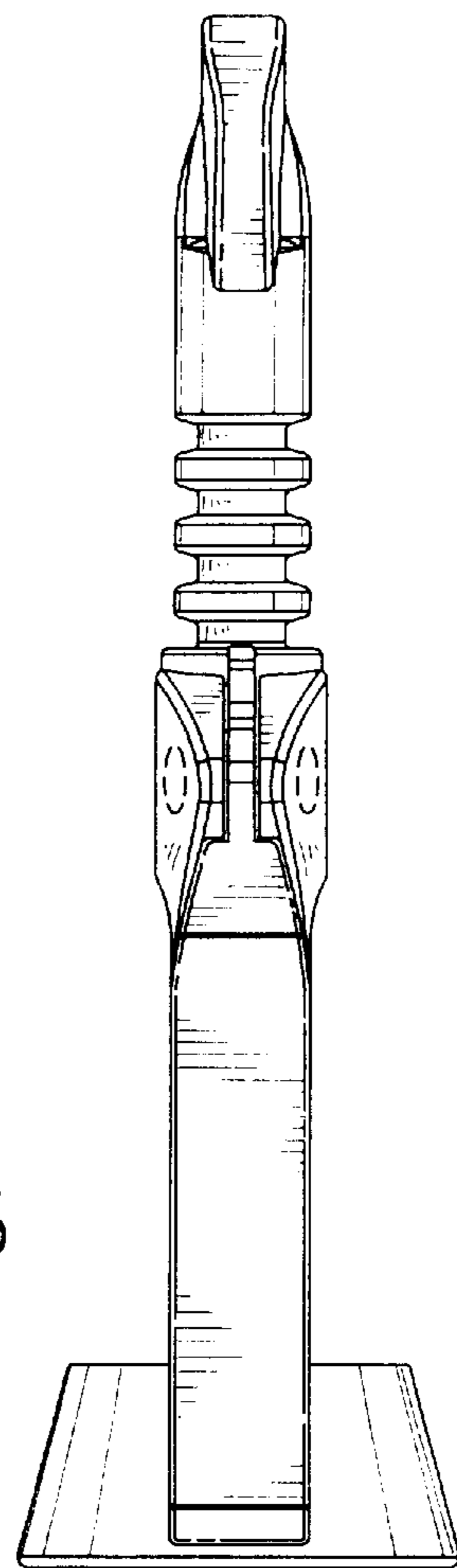


FIG. 5

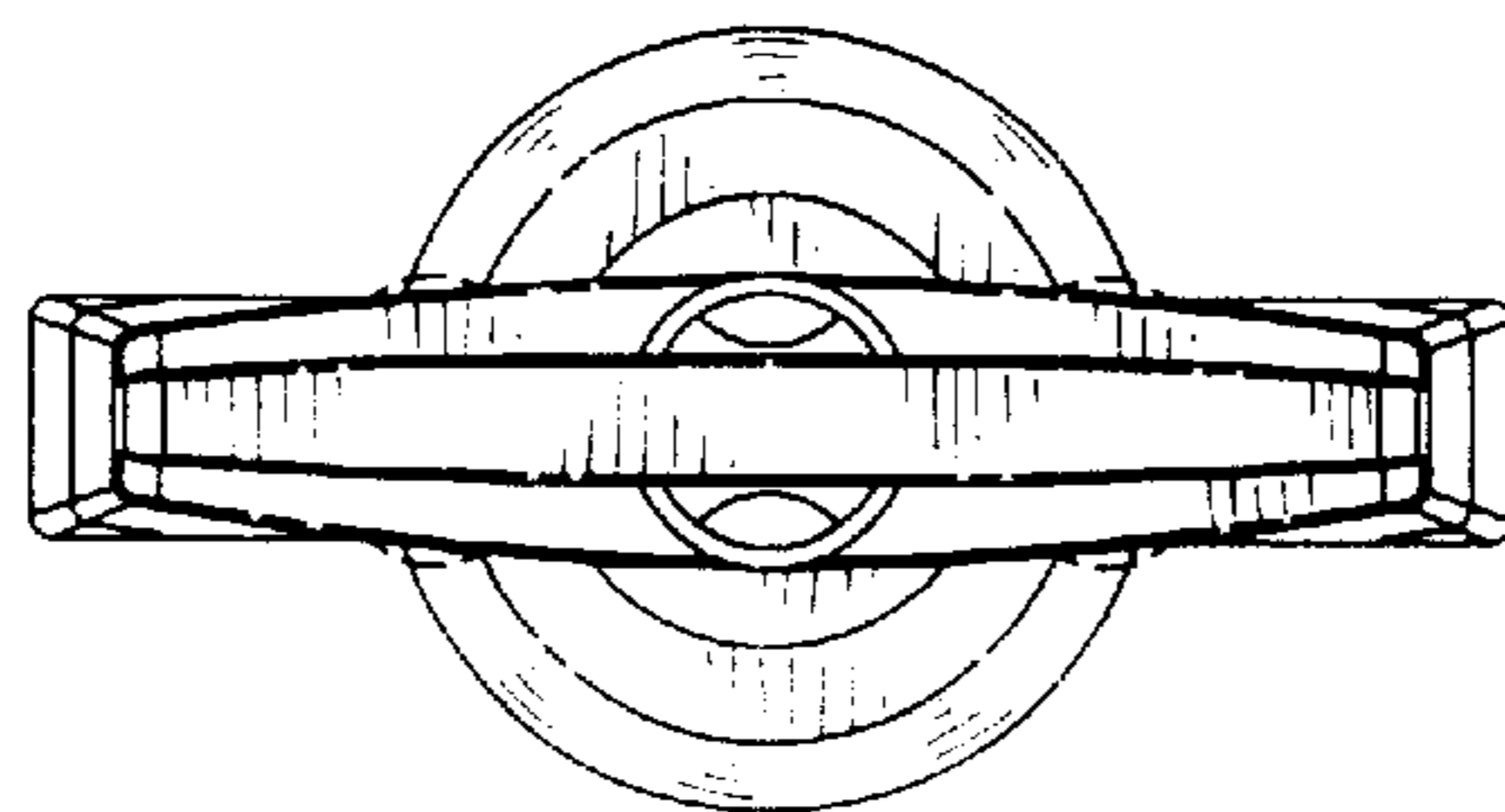


FIG. 6

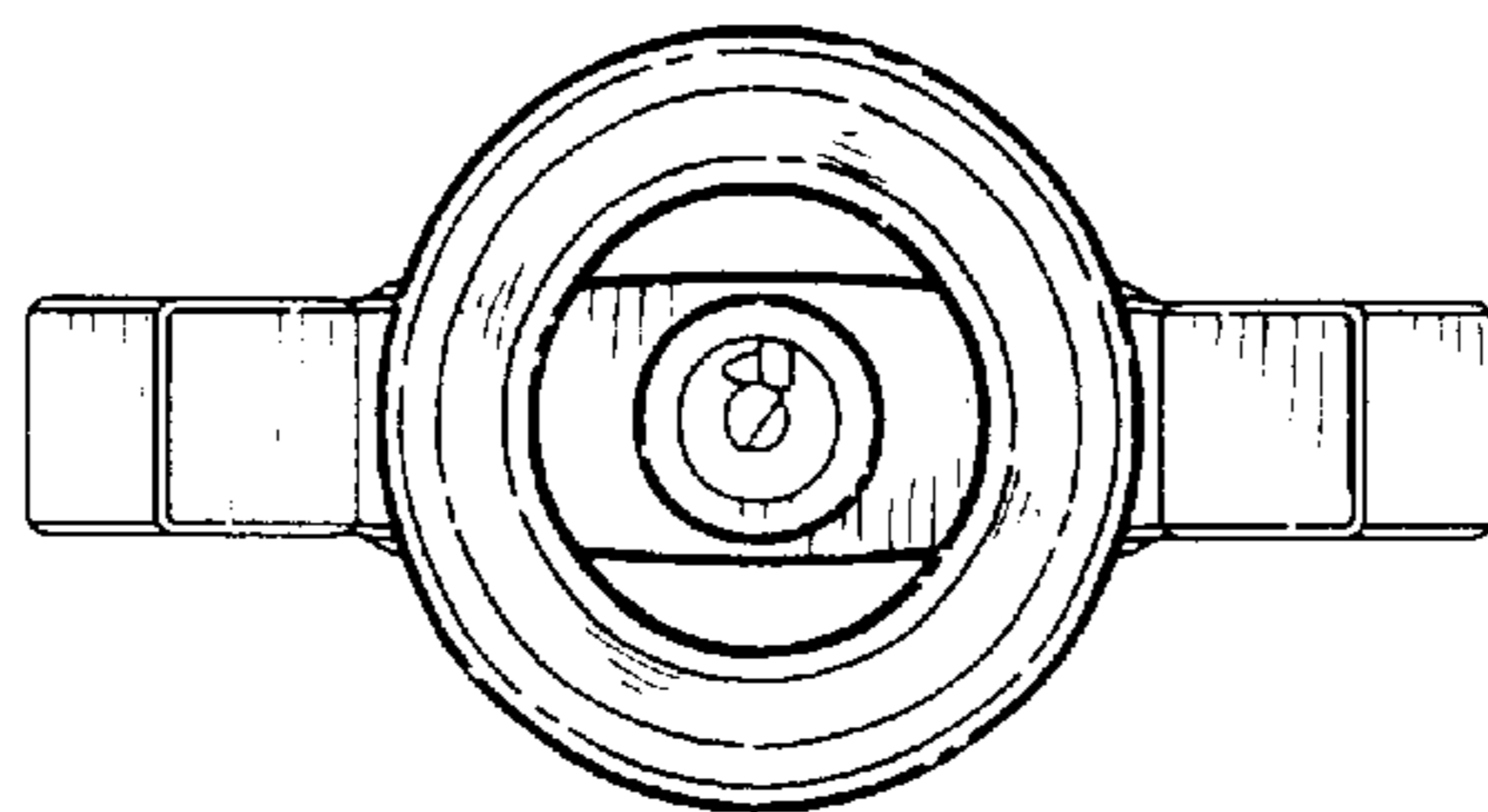


FIG. 7