



US00D454472S

(12) **United States Design Patent**
Sum

(10) **Patent No.:** **US D454,472 S**

(45) **Date of Patent:** **** Mar. 19, 2002**

(54) **CAN OPENER**

(75) Inventor: **David Sum**, Kowloon (HK)

(73) Assignee: **Forexim (HK) Limited**, Kowloon (HK)

(**) Term: **14 Years**

(21) Appl. No.: **29/136,047**

(22) Filed: **Jan. 24, 2001**

(51) **LOC (7) Cl.** **07-99**

(52) **U.S. Cl.** **D8/39**

(58) **Field of Search** D8/33-43; 7/151-156;
81/3.07-3.49

(56) **References Cited**

U.S. PATENT DOCUMENTS

D403,217 S	*	12/1998	Usbeck	D8/39
D404,269 S	*	1/1999	Chang	D8/39
D404,270 S	*	1/1999	Chang	D8/40
D409,888 S	*	5/1999	So	D8/39

* cited by examiner

Primary Examiner—Caron D. Veynar

(74) *Attorney, Agent, or Firm*—Salter & Michaelson

(57) **CLAIM**

The ornamental design for a can opener, as shown and described.

DESCRIPTION

FIG. 1 is a perspective view of a can opener;

FIG. 2 is a left side elevational view thereof;

FIG. 3 is a right side elevational view thereof;

FIG. 4 is a top plan view thereof;

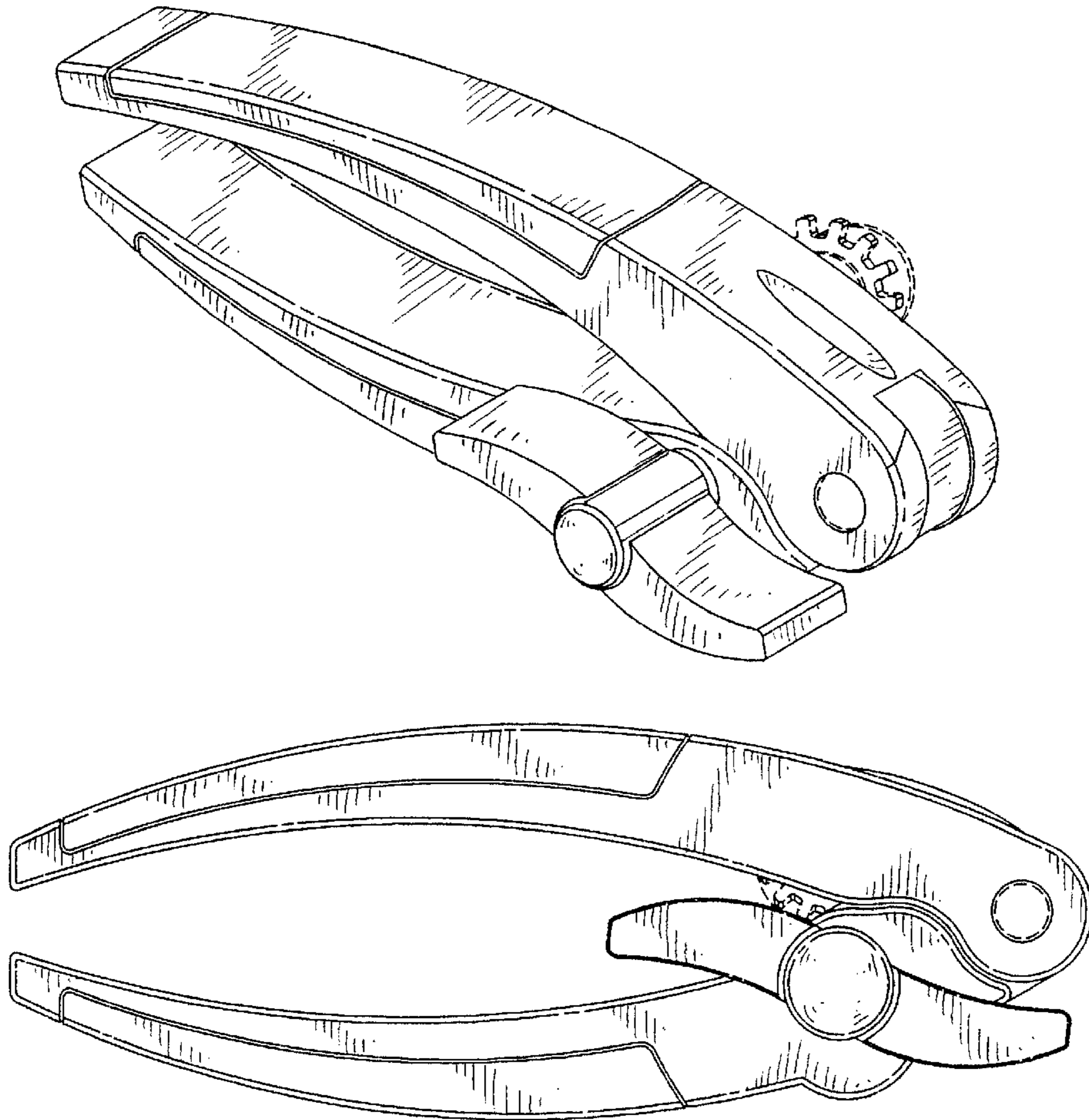
FIG. 5 is a bottom plan view thereof;

FIG. 6 is a front elevational view thereof; and,

FIG. 7 is a rear elevational view thereof.

The portions shown in broken lines are included for illustrative purposes only and form no part of the claimed design.

1 Claim, 3 Drawing Sheets



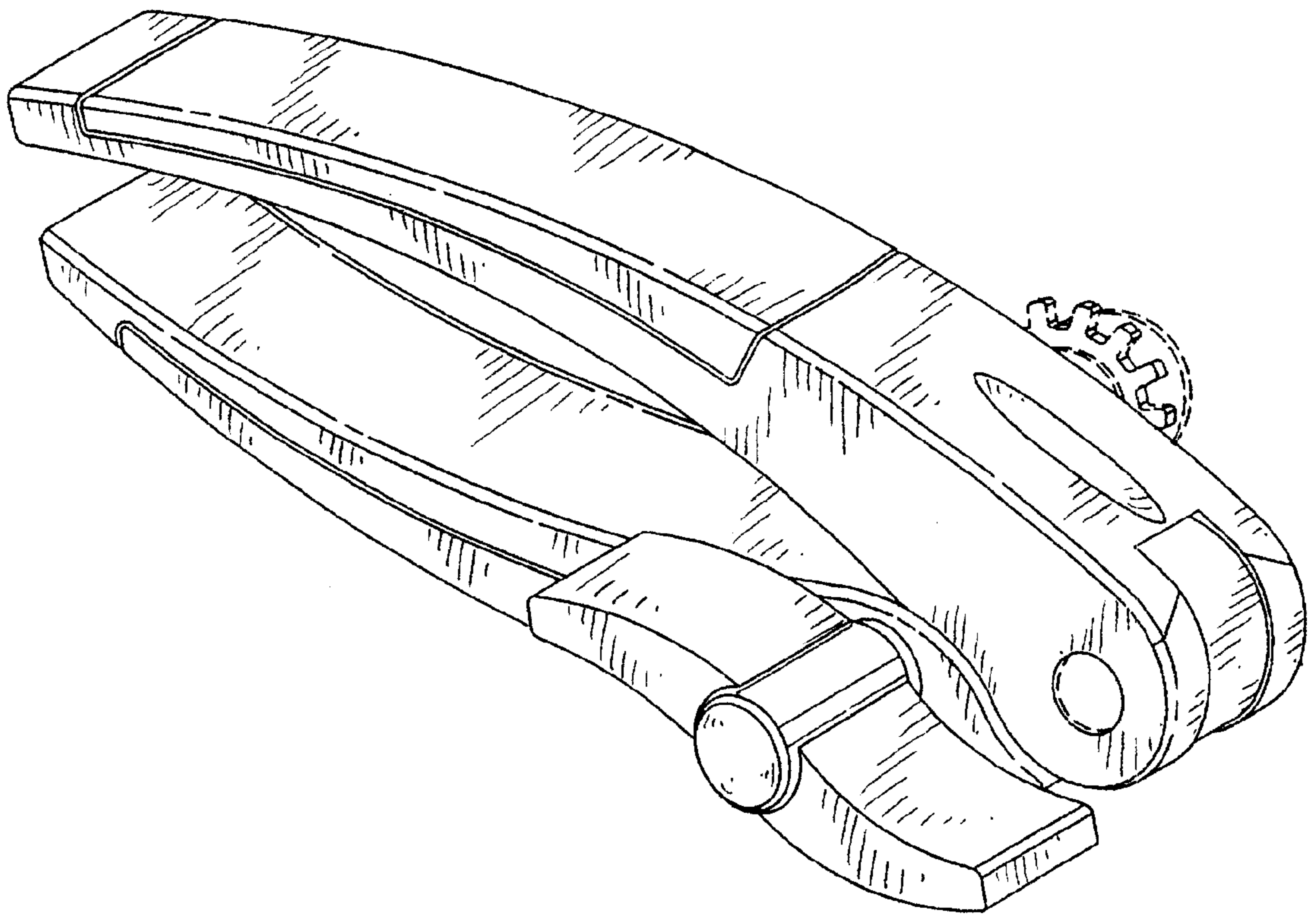


FIG. 1

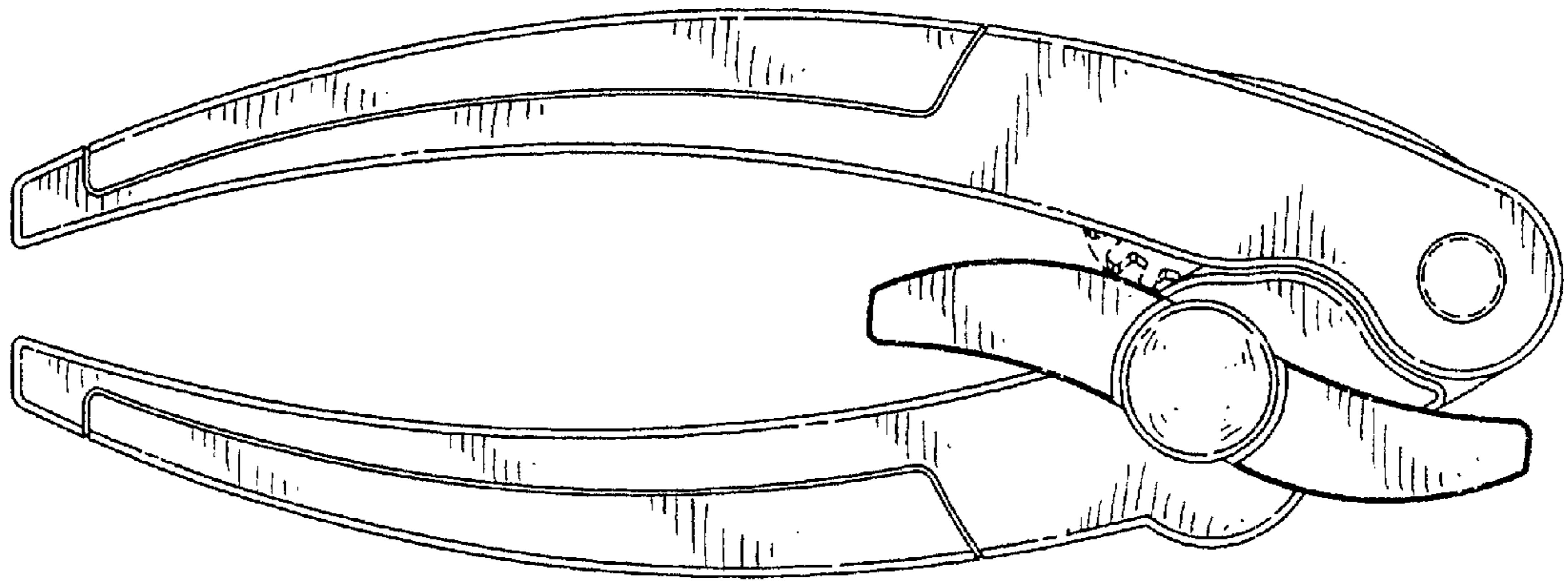


FIG. 2

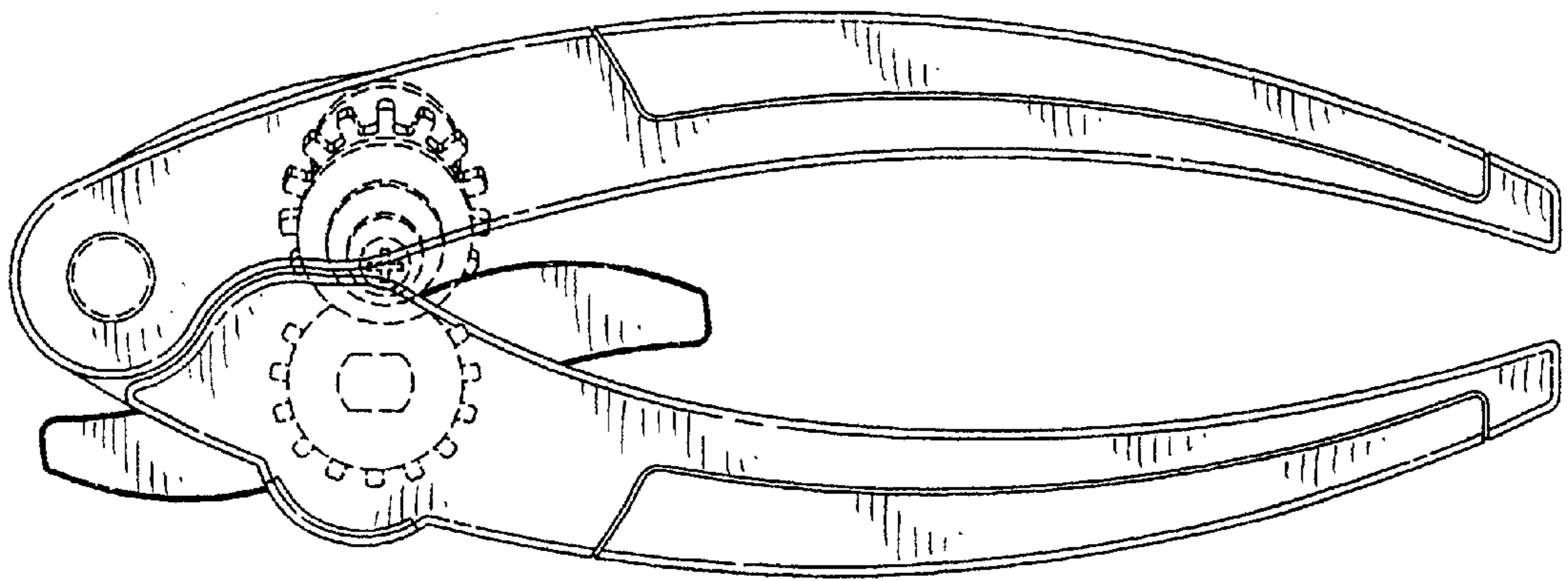


FIG. 3

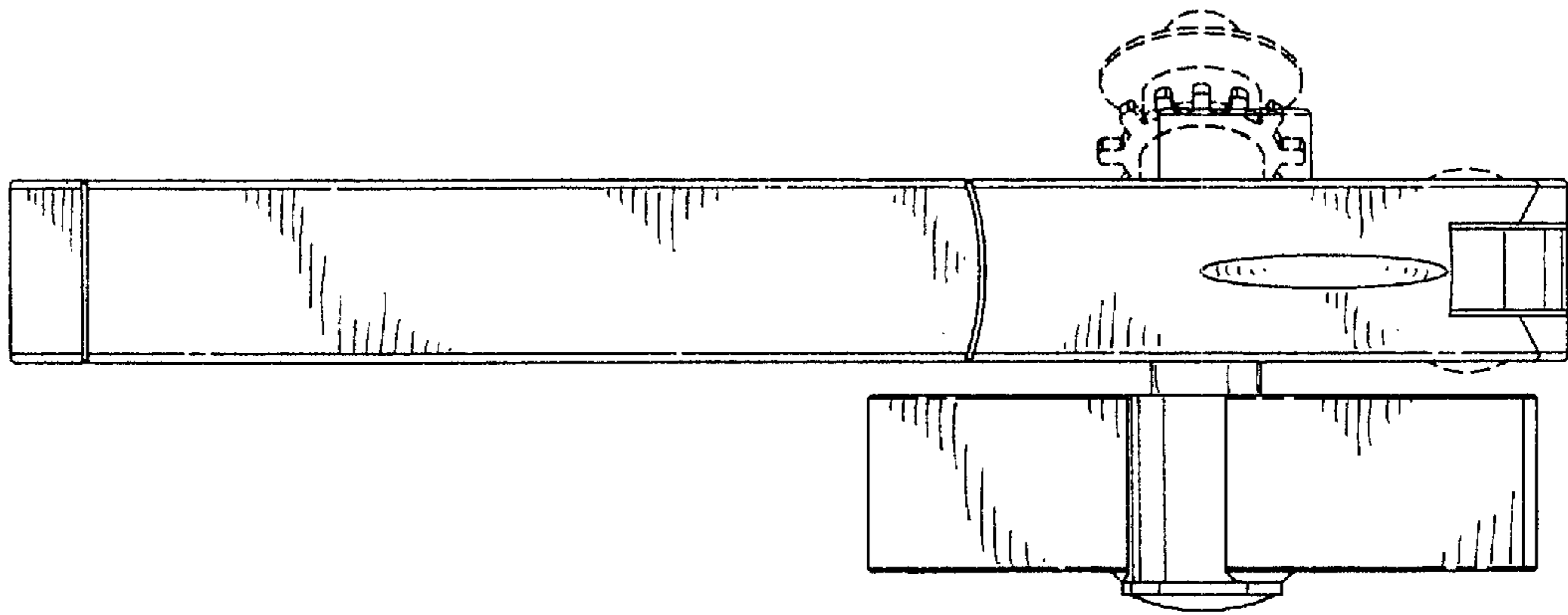


FIG. 4

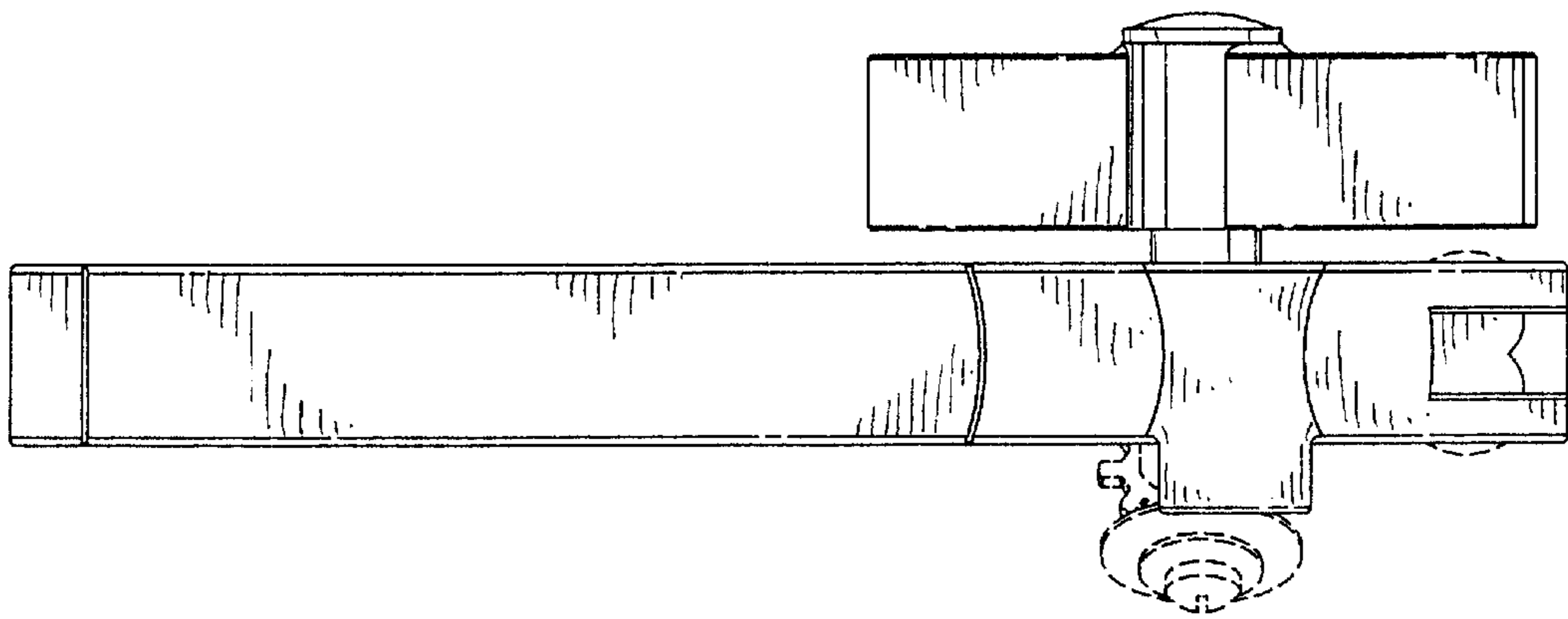


FIG. 5

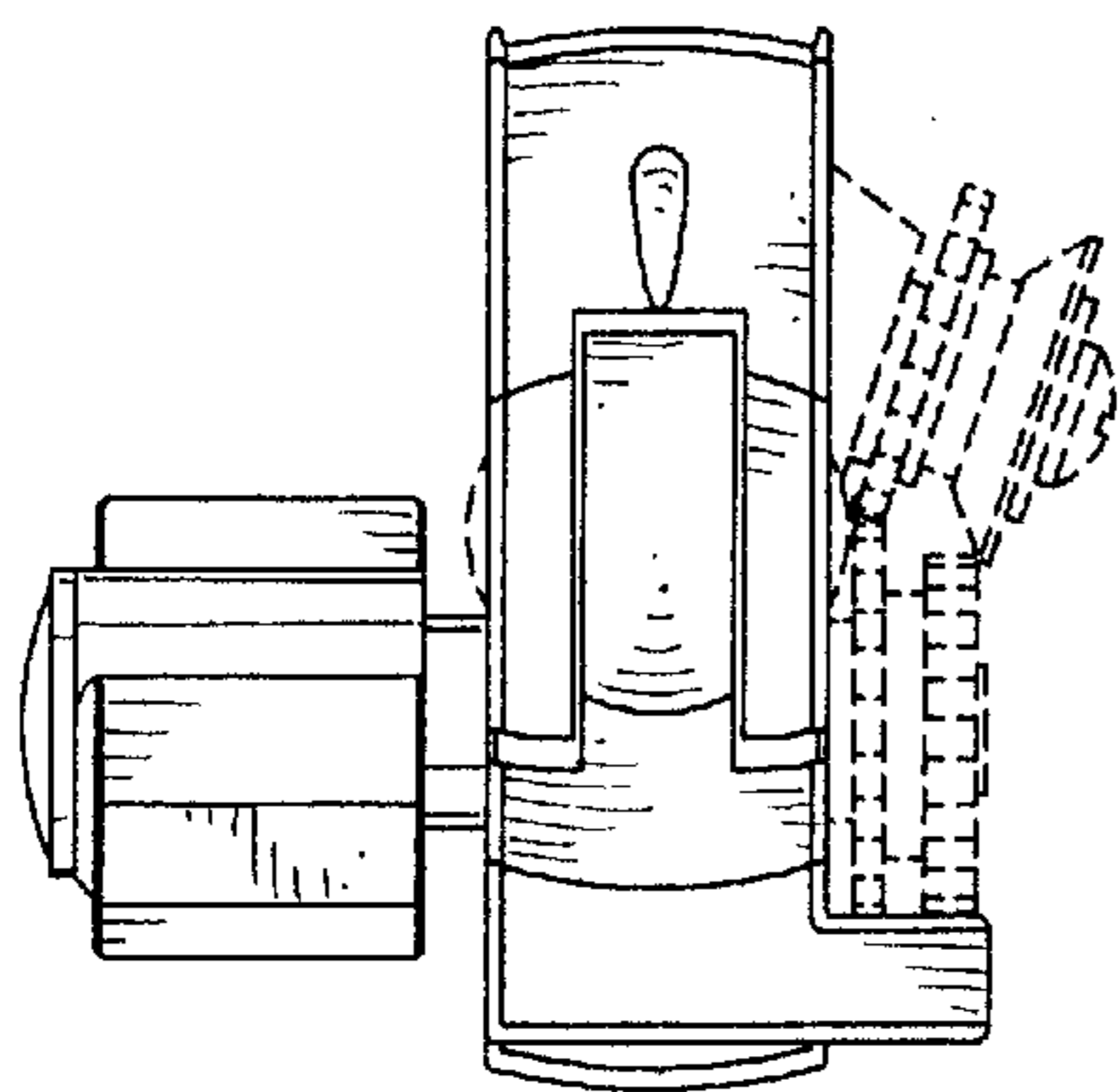


FIG. 6

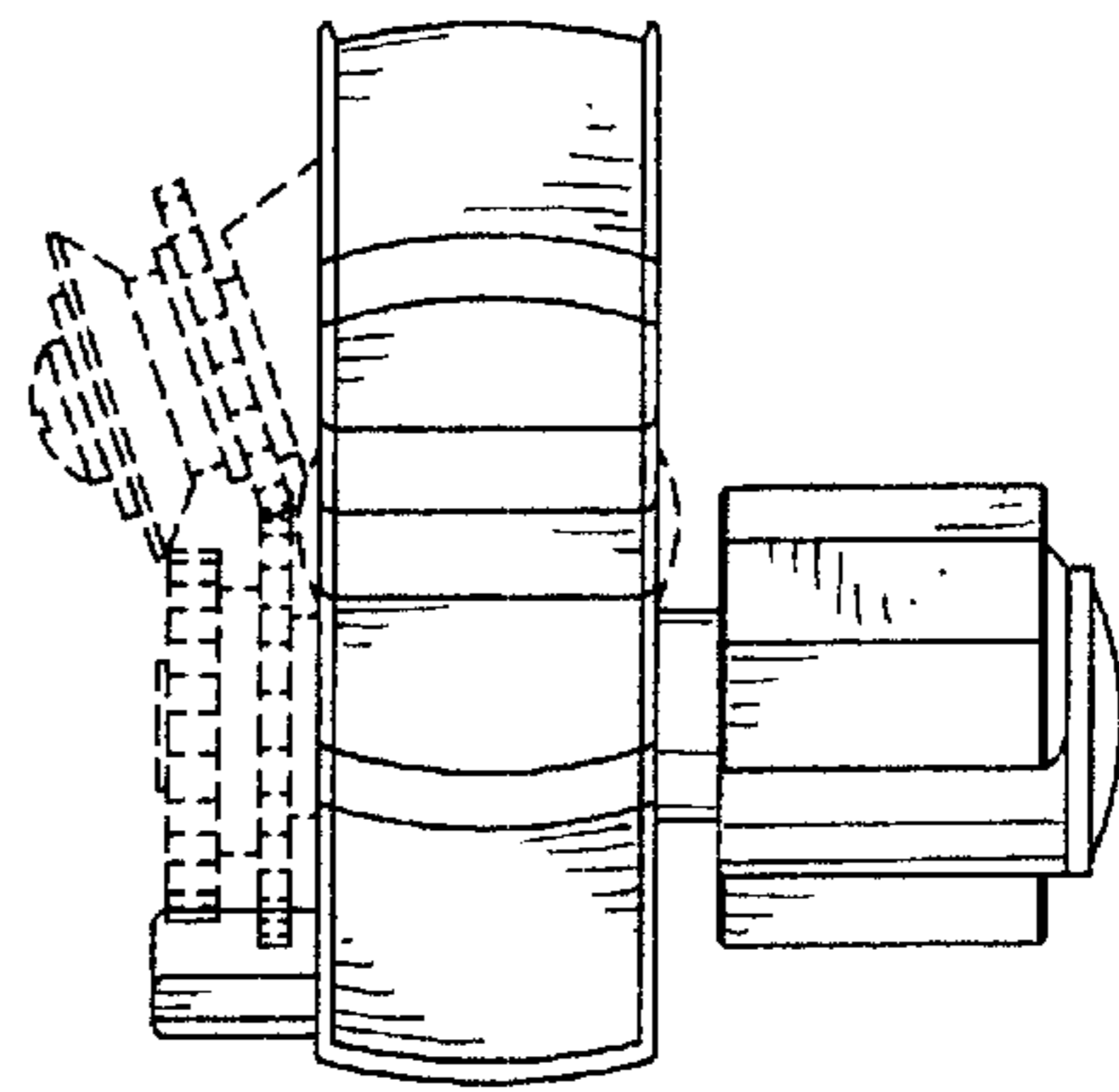


FIG. 7