



US00D454467S

(12) **United States Design Patent**  
**Magermans et al.**

(10) **Patent No.:** **US D454,467 S**

(45) **Date of Patent:** **\*\* Mar. 19, 2002**

(54) **DRINK DISPENSING APPARATUS**

(75) Inventors: **Marcel Magermans; Ries Meertens,**  
both of Delft (NL)

(73) Assignee: **Heineken Technical Services B.V.,**  
Zoeterwoude (NL)

(\*\*) Term: **14 Years**

(21) Appl. No.: **29/126,870**

(22) Filed: **Jul. 25, 2000**

(30) **Foreign Application Priority Data**

Jun. 16, 2000 (XH) ..... DM/052 535

(51) **LOC (7) Cl.** ..... **07-01**

(52) **U.S. Cl.** ..... **D7/313; D34/39**

(58) **Field of Search** ..... D7/312, 313, 608,  
D7/301, 397, 398; D34/39; 215/384, 902,  
12.1; 220/DIG. 1, 367.1, 592.1; 99/295;  
D23/205; D9/325; 222/131, 400.7

(56) **References Cited**

**U.S. PATENT DOCUMENTS**

D181,131 S	*	10/1957	Crosio	.....	D34/39
3,065,885 A	*	11/1962	Chatten	.....	222/400.7
D200,808 S	*	4/1965	Heisler et al.	.....	D34/39
D205,750 S	*	9/1966	Cornelius	.....	D7/311
3,910,461 A	*	10/1975	Eager	.....	222/131
D241,717 S	*	10/1976	Chase et al.	.....	D34/39
D242,127 S	*	11/1976	Bonnett	.....	D34/39
D243,155 S	*	1/1977	Bonnett	.....	D34/39
D244,832 S	*	6/1977	Carter	.....	D34/39
D248,658 S	*	7/1978	Buffington	.....	D7/301
D276,499 S	*	11/1984	Kamada et al.	.....	D9/325
4,717,031 A	*	1/1988	Hewson	.....	215/384
D310,627 S	*	9/1990	Manuel	.....	D9/325
D326,977 S	*	6/1992	Larson	.....	D7/313

D335,744 S	*	5/1993	Small et al.	.....	D34/39
D335,745 S	*	5/1993	Schilthuizen	.....	D34/39
D344,204 S	*	2/1994	Dixon	.....	D7/301
D344,657 S	*	3/1994	Knopp	.....	D7/313
D352,417 S	*	11/1994	Petroske et al.	.....	D7/301
D374,959 S	*	10/1996	Mull	.....	D34/39
D408,113 S	*	4/1999	Hunter et al.	.....	D34/39

\* cited by examiner

*Primary Examiner*—M. N. Pandozzi

(74) *Attorney, Agent, or Firm*—Abelman, Frayne & Schwab

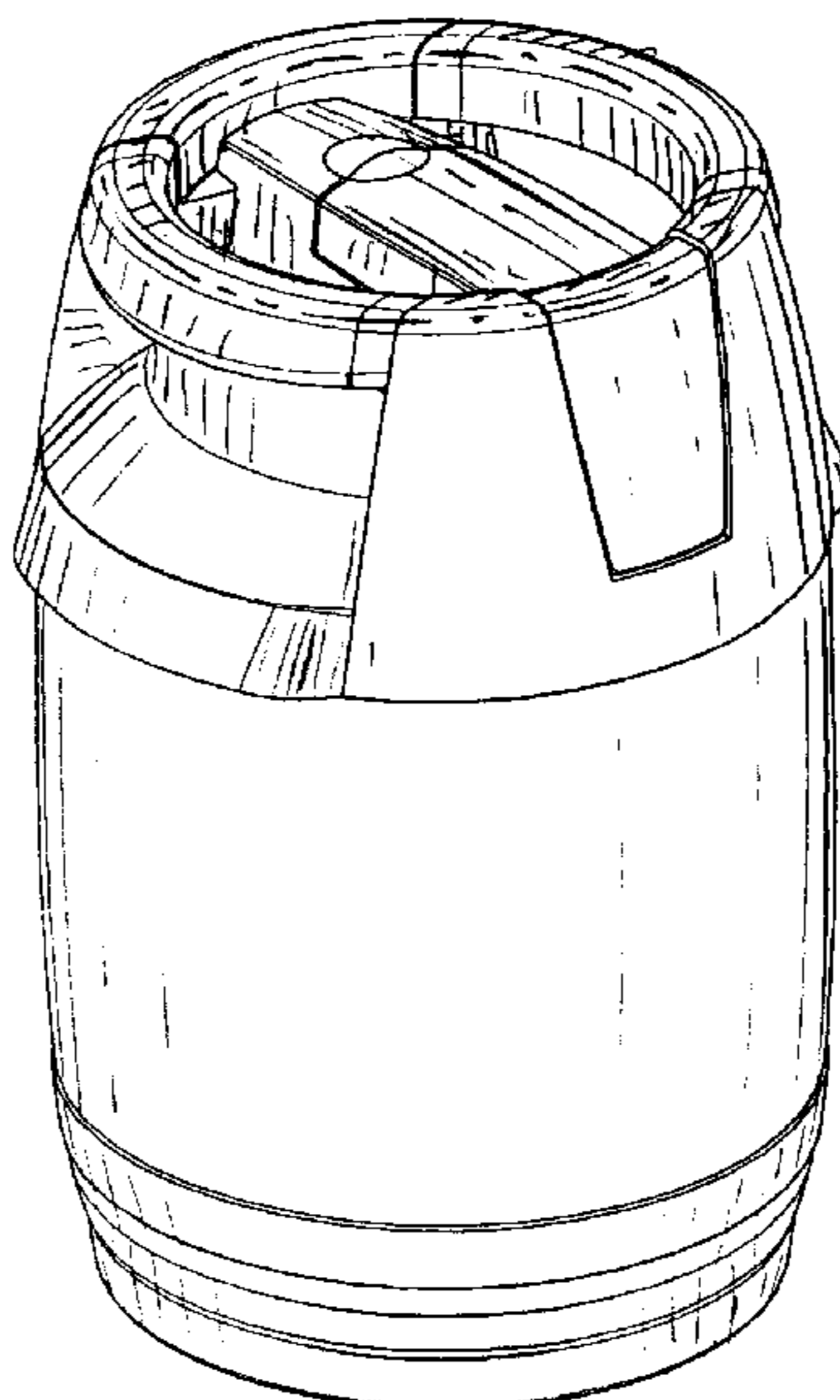
(57) **CLAIM**

The ornamental design for a drink dispensing apparatus, as shown and described.

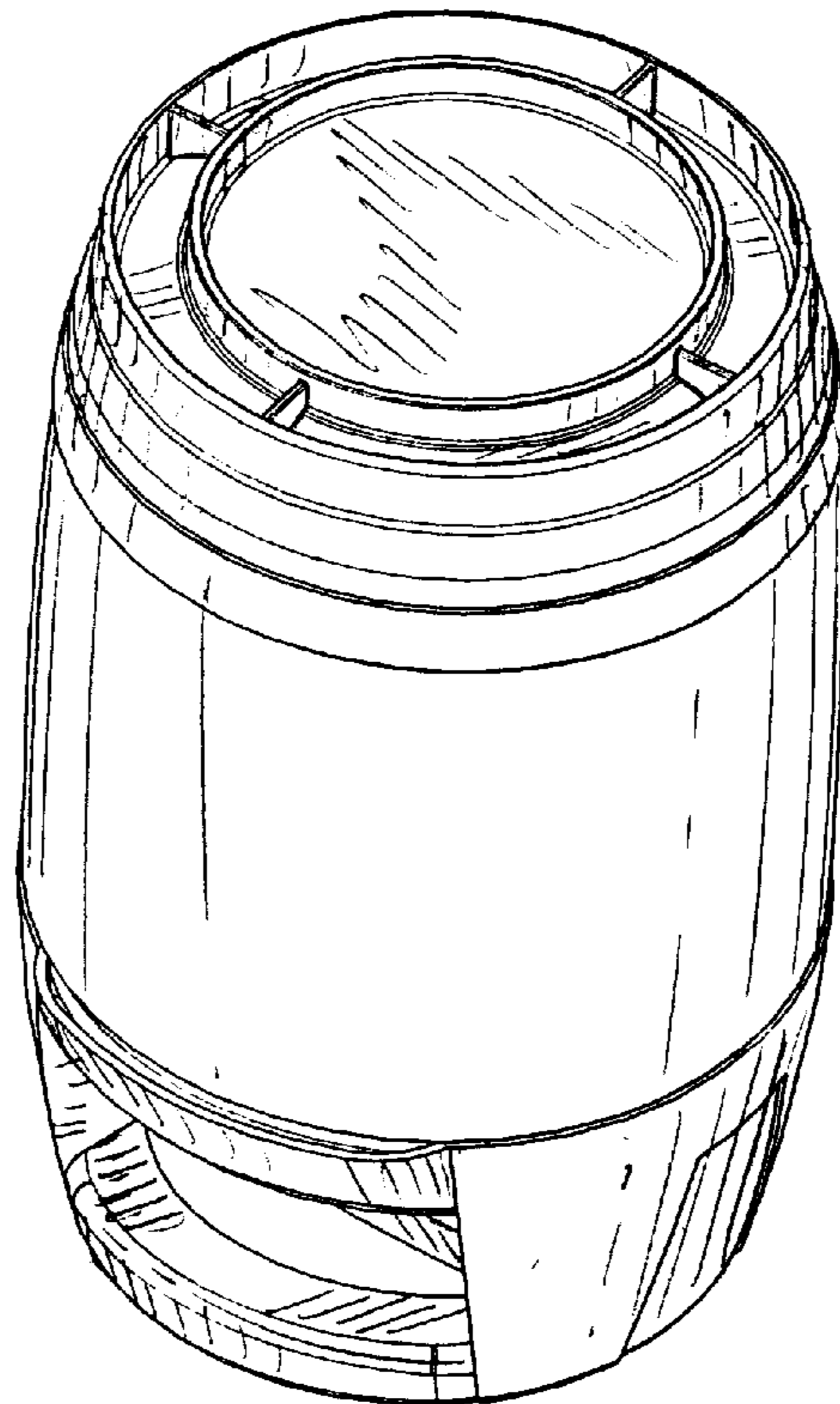
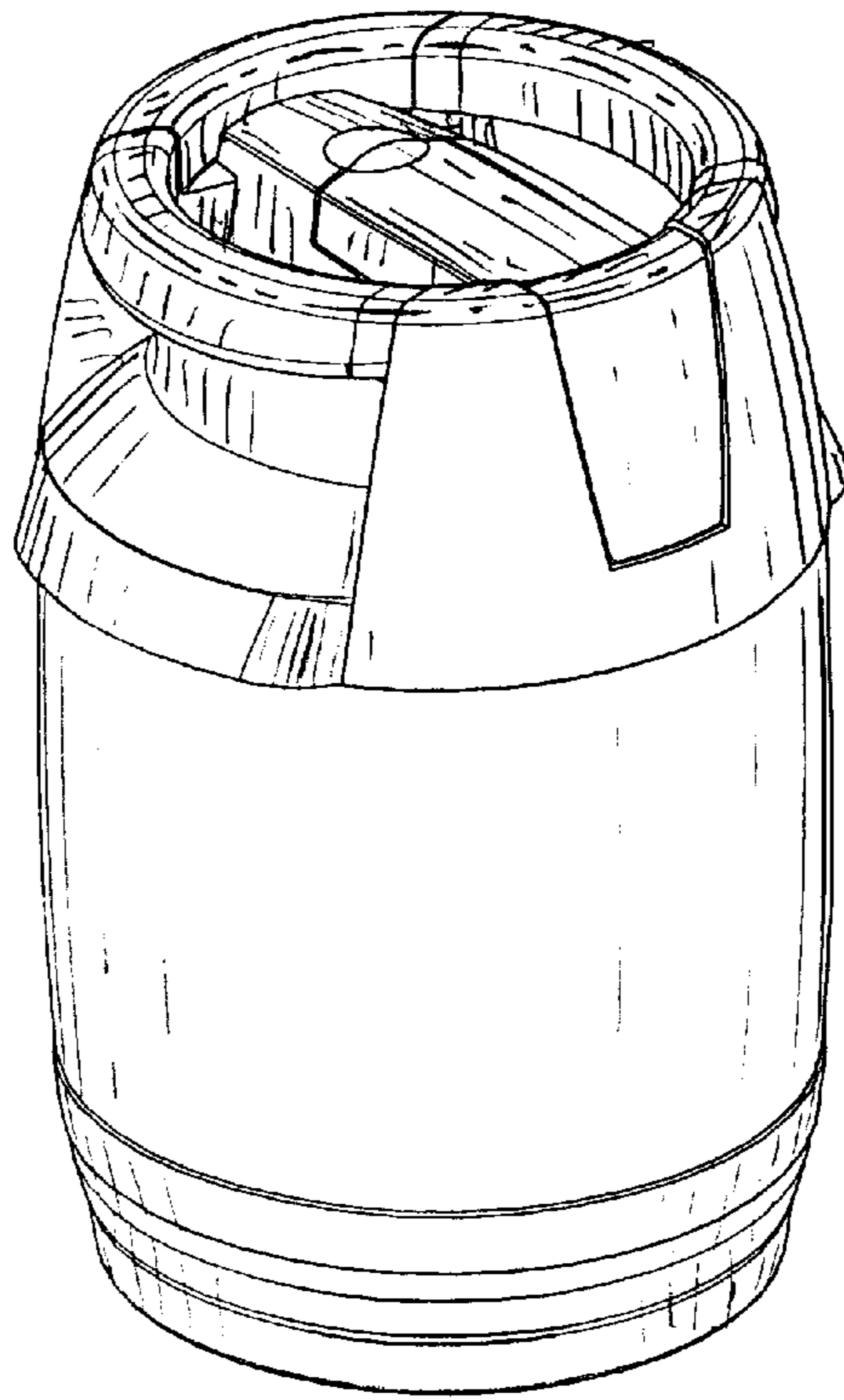
**DESCRIPTION**

FIG. 1 is a perspective view of the drink dispensing apparatus in a vertical position;  
 FIG. 2 is a perspective view of the drink dispensing apparatus in an inverted position;  
 FIG. 3 is a front elevation view of the drink dispensing apparatus;  
 FIG. 4 is a side elevation view of the drink dispensing apparatus;  
 FIG. 5 is a top plan view of the drink dispensing apparatus, enlarged for ease of illustration;  
 FIG. 6 is a bottom plan view thereof;  
 FIG. 7 is an enlarged perspective view of the drink dispensing apparatus, broken away for ease of illustration;  
 FIG. 8 is a front perspective view of the drink dispensing apparatus with a removable top portion removed for ease of illustration; and,  
 FIG. 9 is the same as FIG. 8, except that an extensible portion of the drink dispensing apparatus is in an extended position.

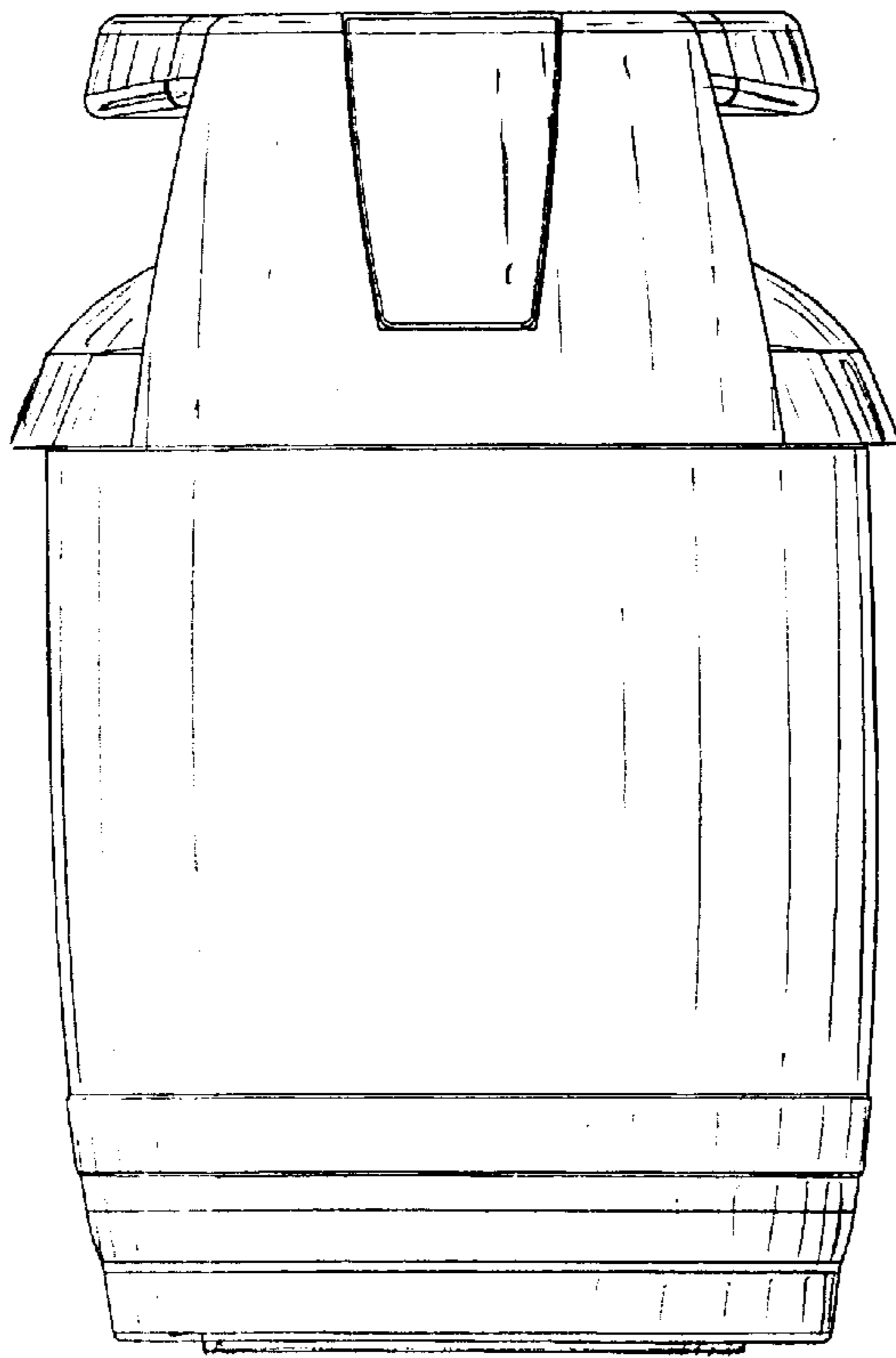
**1 Claim, 4 Drawing Sheets**



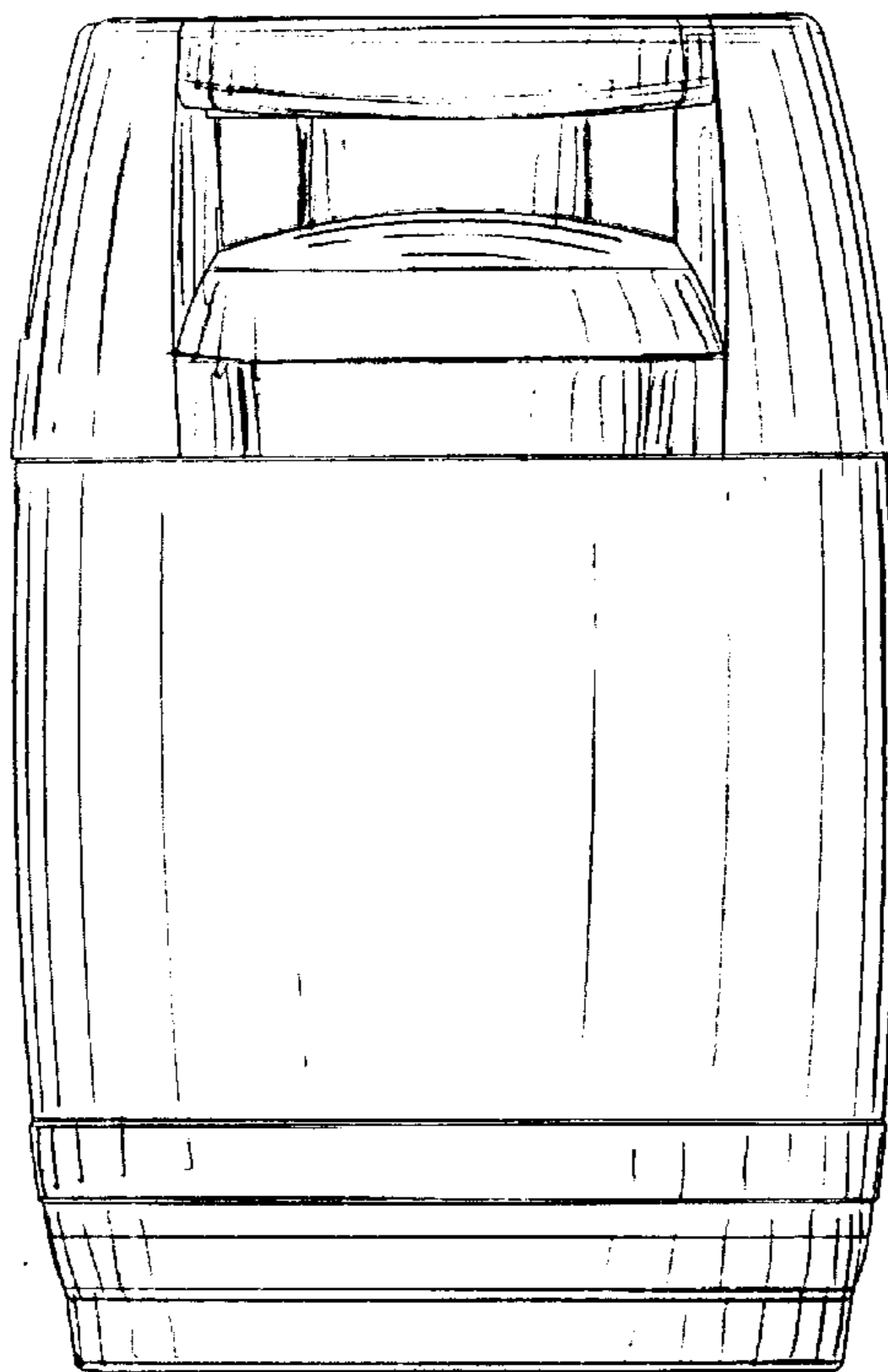
*FIG. 1*



*FIG. 2*

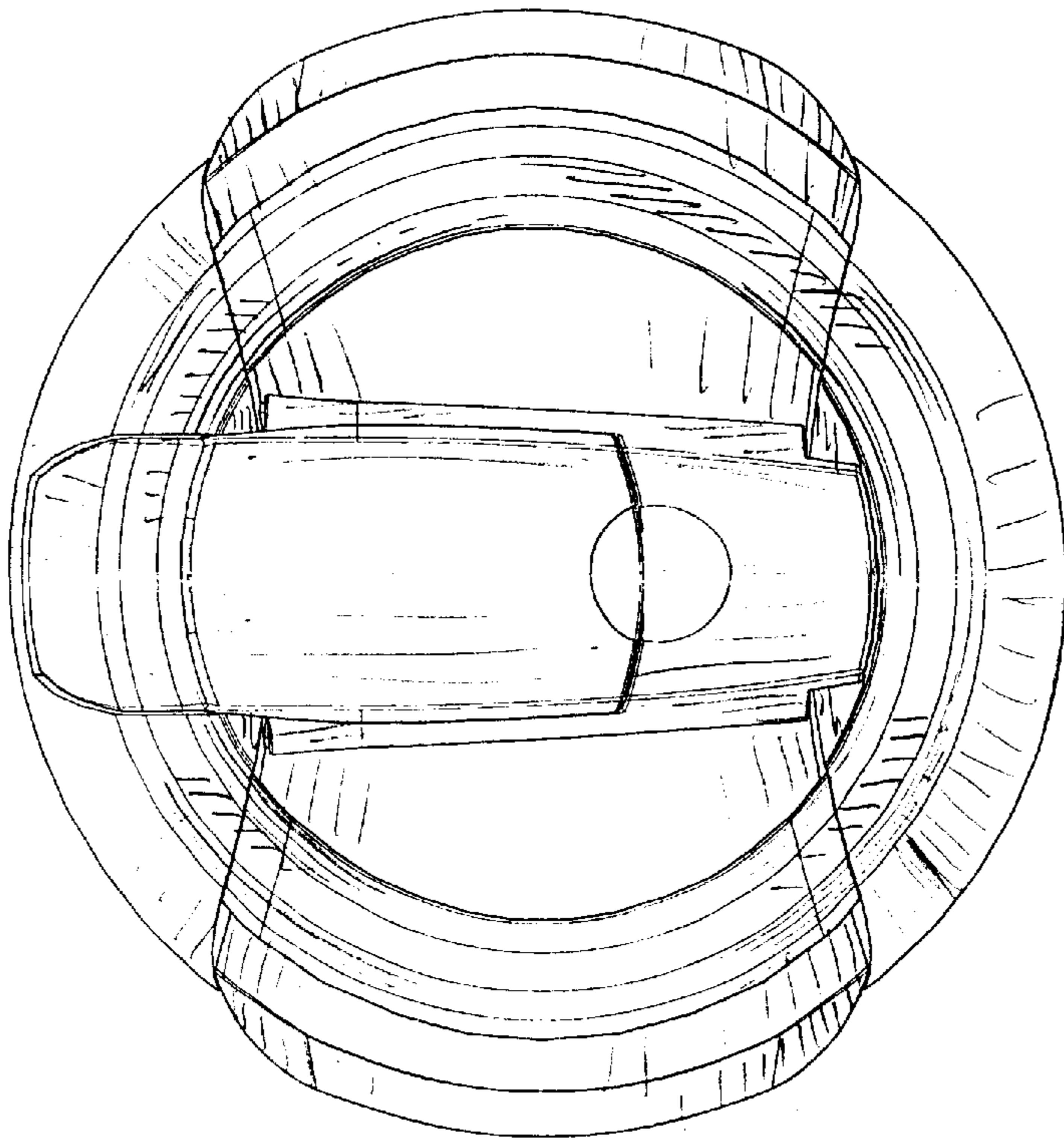


*FIG. 3*

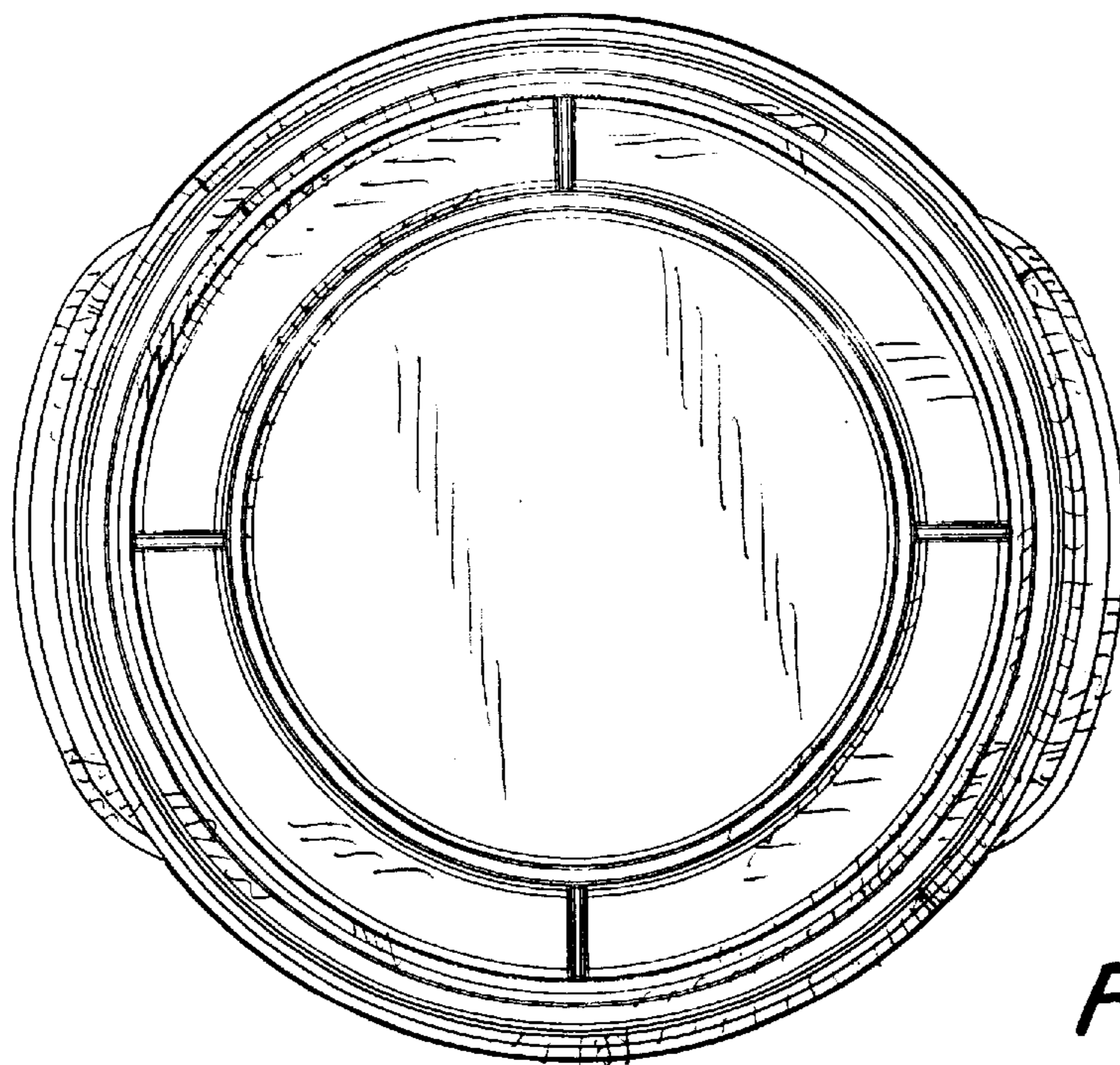


*FIG. 4*



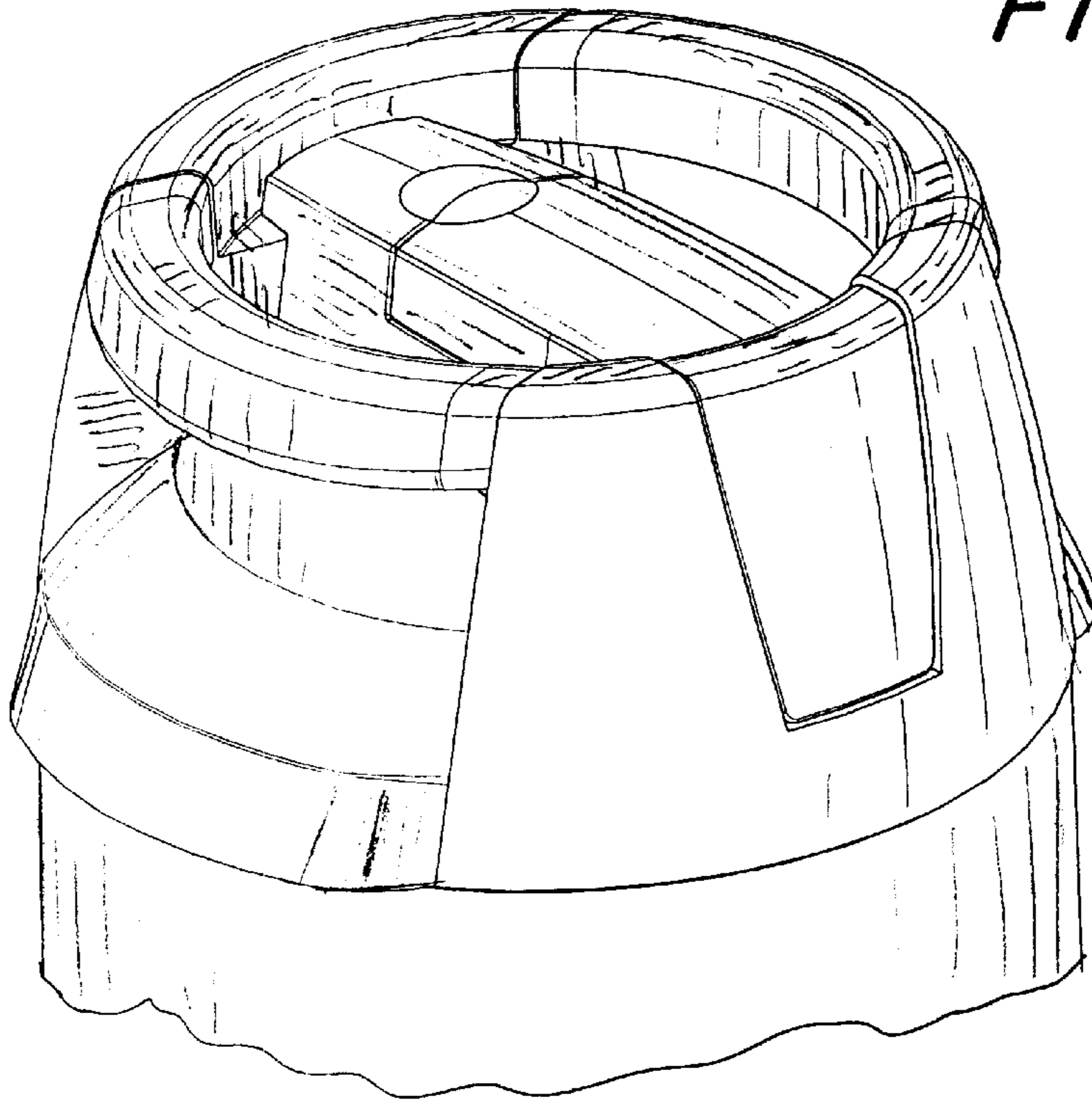


*FIG. 5*

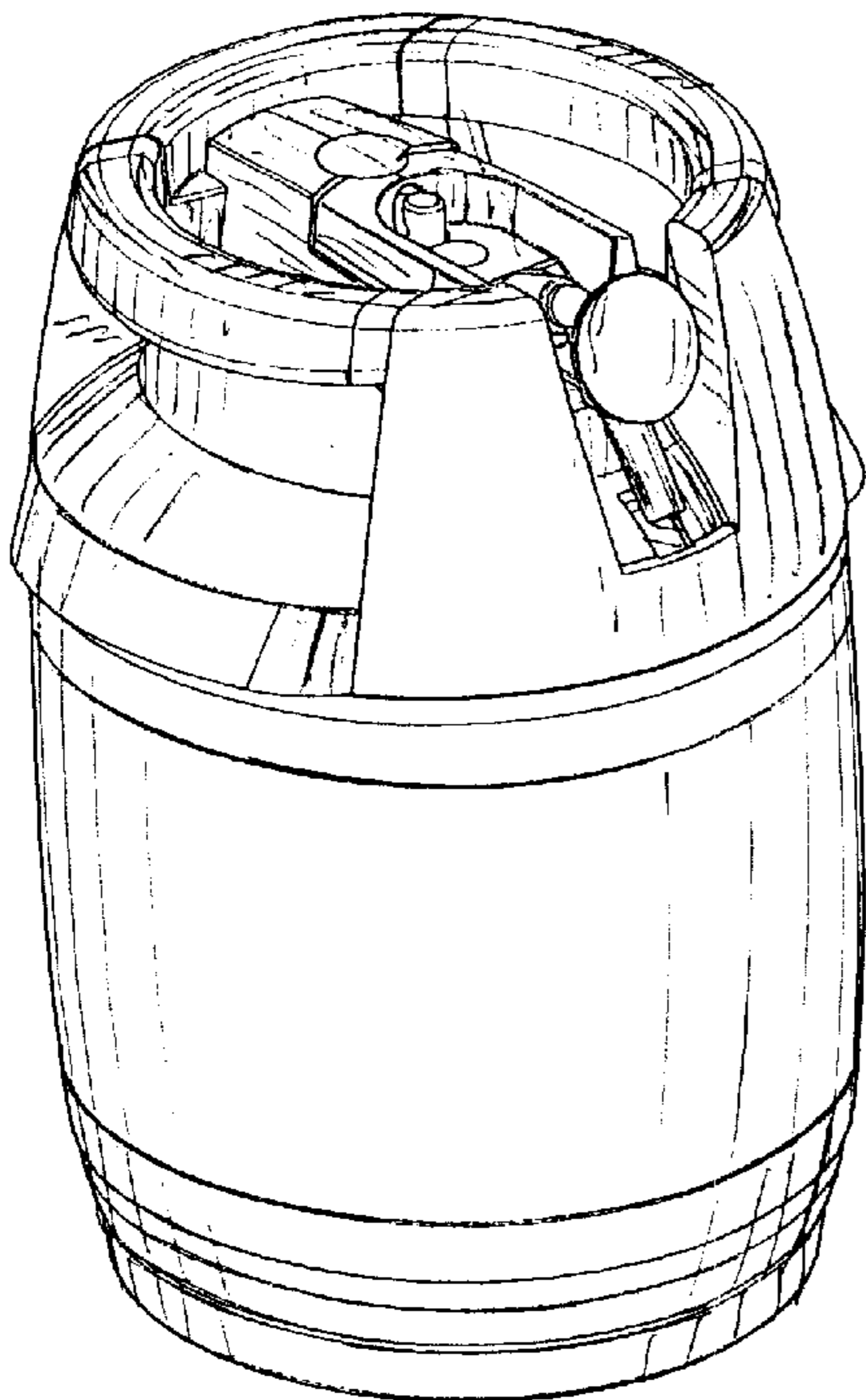


*FIG. 6*

*FIG. 7*



*FIG. 8*



*FIG. 9*

