



US00D454464S

(12) **United States Design Patent**
Mogler et al.

(10) **Patent No.:** **US D454,464 S**

(45) **Date of Patent:** **** Mar. 19, 2002**

(54) **DISPENSING REFRIGERATOR**

(75) Inventors: **John G. Mogler**, Camarillo; **Joseph B. Wilby**, Ventura, both of CA (US)

(73) Assignee: **Thermal Control Products, Inc.**,
Ventura, CA (US)

(**) Term: **14 Years**

(21) Appl. No.: **29/131,238**

(22) Filed: **Oct. 17, 2000**

(51) **LOC (7) Cl.** **07-01**

(52) **U.S. Cl.** **D7/307; D7/308; D7/311**

(58) **Field of Search** D7/309, 310, 311,
D7/306, 307, 308; 99/280, 284, 295, 283,
307; 222/146.6, 640, 146.1, 108; D20/5

(56) **References Cited**

U.S. PATENT DOCUMENTS

3,248,011 A	*	4/1966	Brodsky et al.	222/640
D233,271 S	*	10/1974	Holcomb	D7/308
D246,310 S	*	11/1977	Syverson et al.	D7/309
D269,517 S	*	6/1983	Vogel et al.	D7/308
D272,975 S	*	3/1984	Miller	D7/309
D296,449 S	*	6/1988	Lovbrand	D20/5
D298,504 S	*	11/1988	Frech	D7/308
D298,505 S	*	11/1988	Frech	D7/308
D346,088 S	*	4/1994	Schroeder	D7/307

D359,874 S	*	7/1995	Smith et al.	D7/311
D404,242 S	*	1/1999	Schroeder	D7/307
D413,757 S	*	9/1999	Munoz	D7/309

* cited by examiner

Primary Examiner—M. N. Pandozzi

(74) *Attorney, Agent, or Firm*—Lyon & Lyon LLP

(57) **CLAIM**

The ornamental design for a dispensing refrigerator, as shown and described.

DESCRIPTION

FIG. 1 is a perspective view of a dispensing refrigerator of our design.

FIG. 2 is a side view of the dispensing refrigerator, the other side being a mirror image of the side view of FIG. 2.

FIG. 3 is a perspective view of the dispensing refrigerator with the lid elevated.

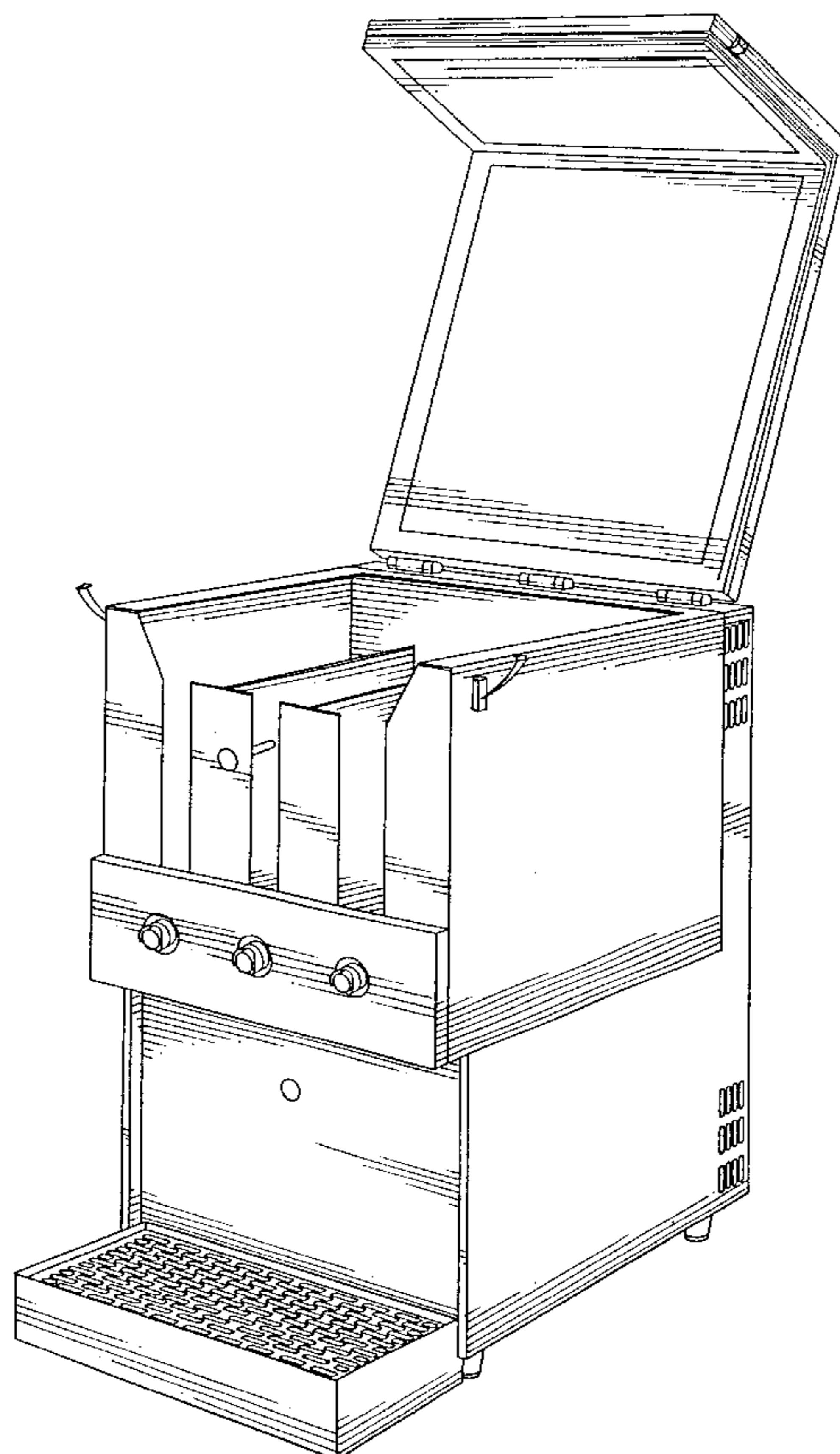
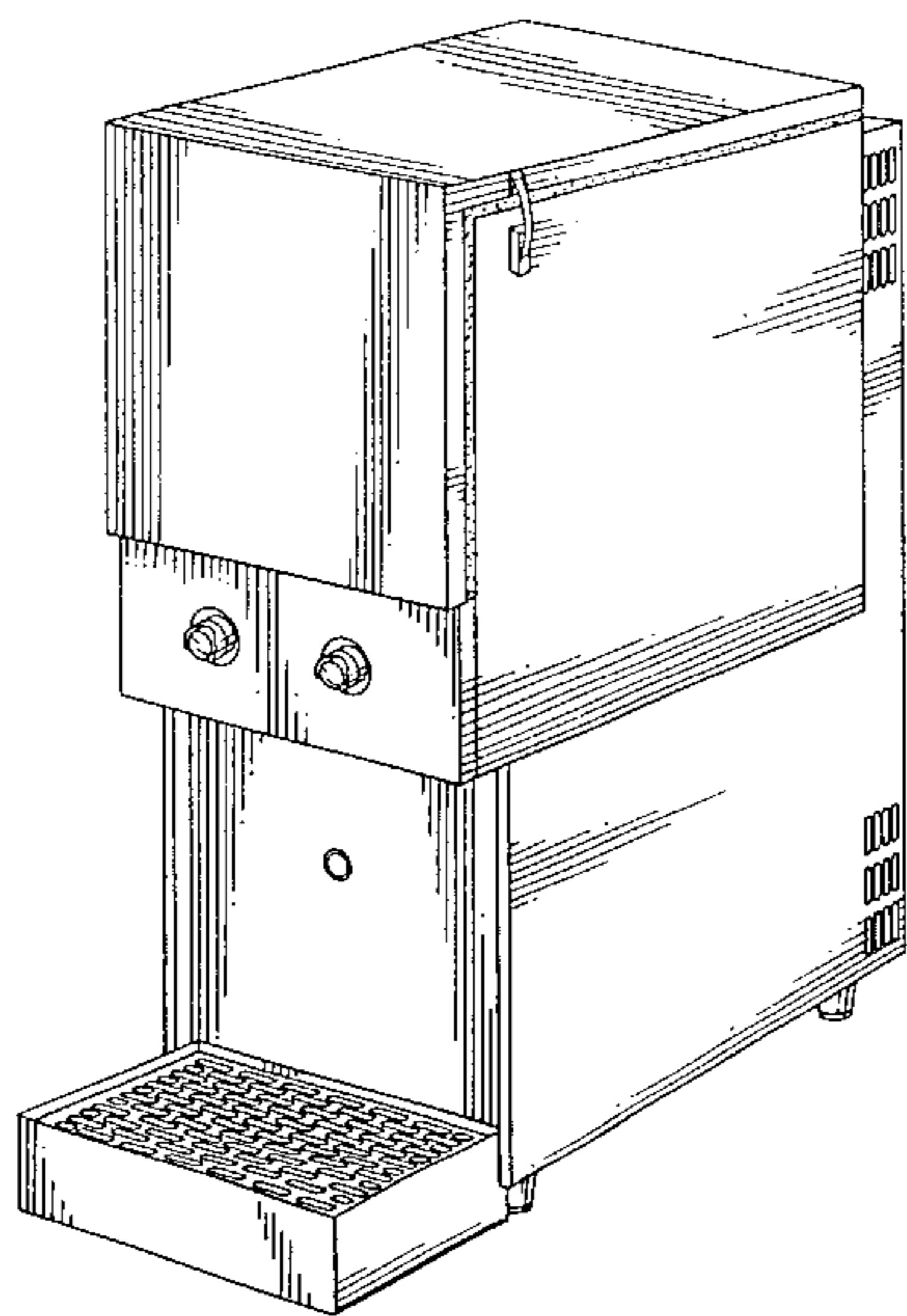
FIG. 4 is a front view of the dispensing refrigerator.

FIG. 5 is a top view of the dispensing refrigerator; and,

FIG. 6 is a perspective view of a modified dispensing refrigerator of our design with the lid elevated, the other side being a mirror image of the side illustrated and the bottom and back of the dispensing refrigerator not being part of the design.

The bottom and back of the dispensing refrigerator are not part of the design.

1 Claim, 4 Drawing Sheets



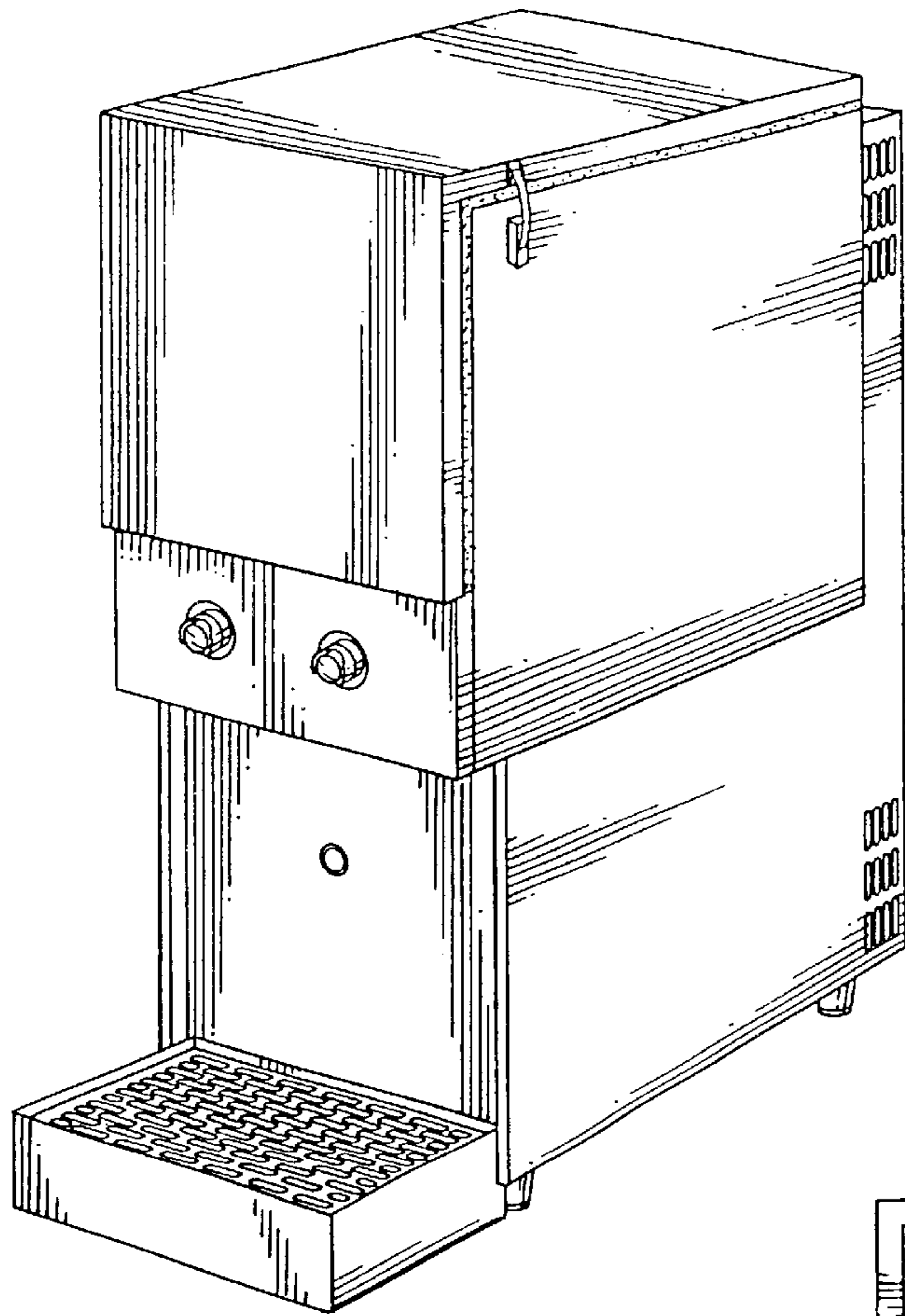


Fig. 1

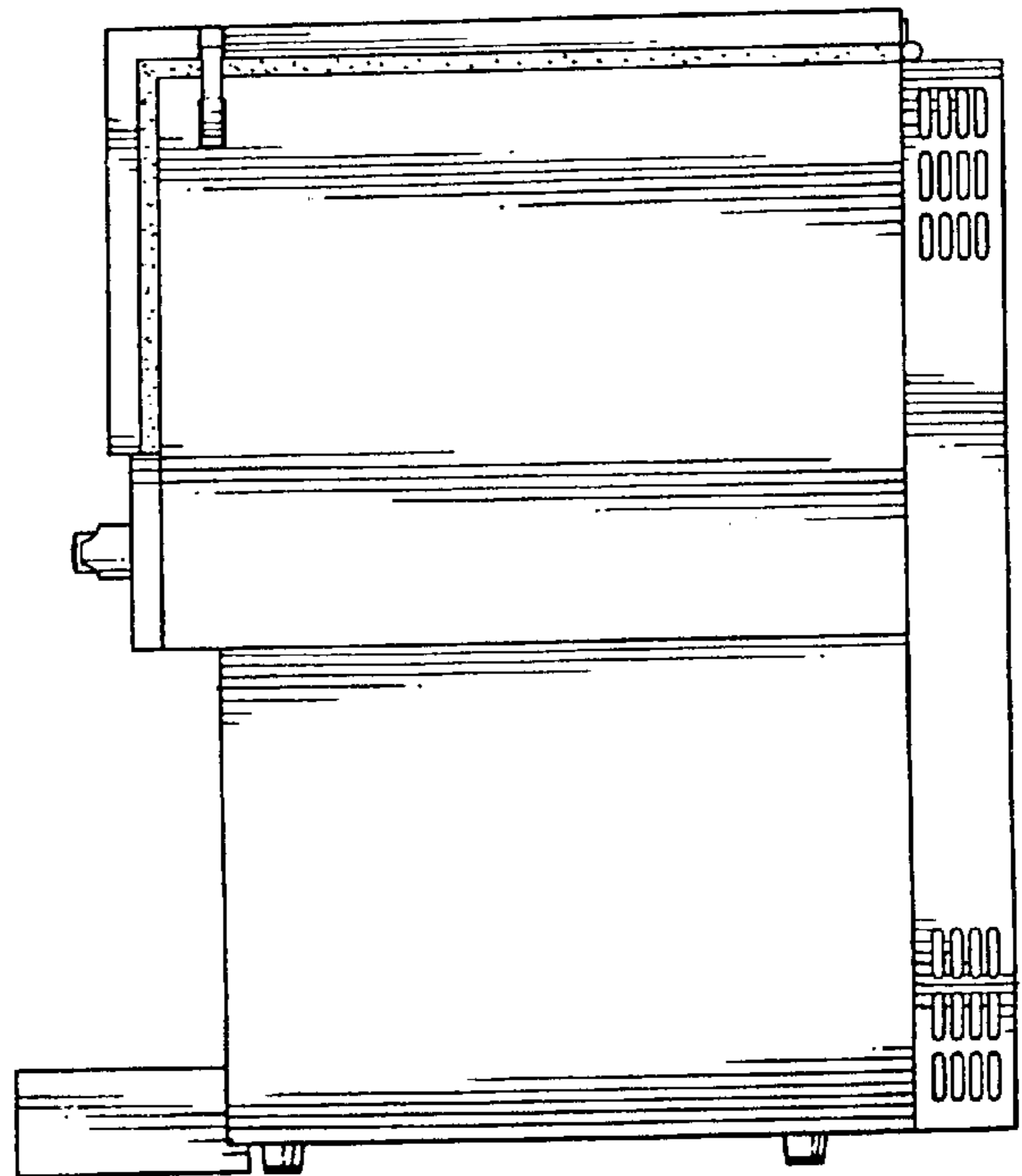


Fig. 2

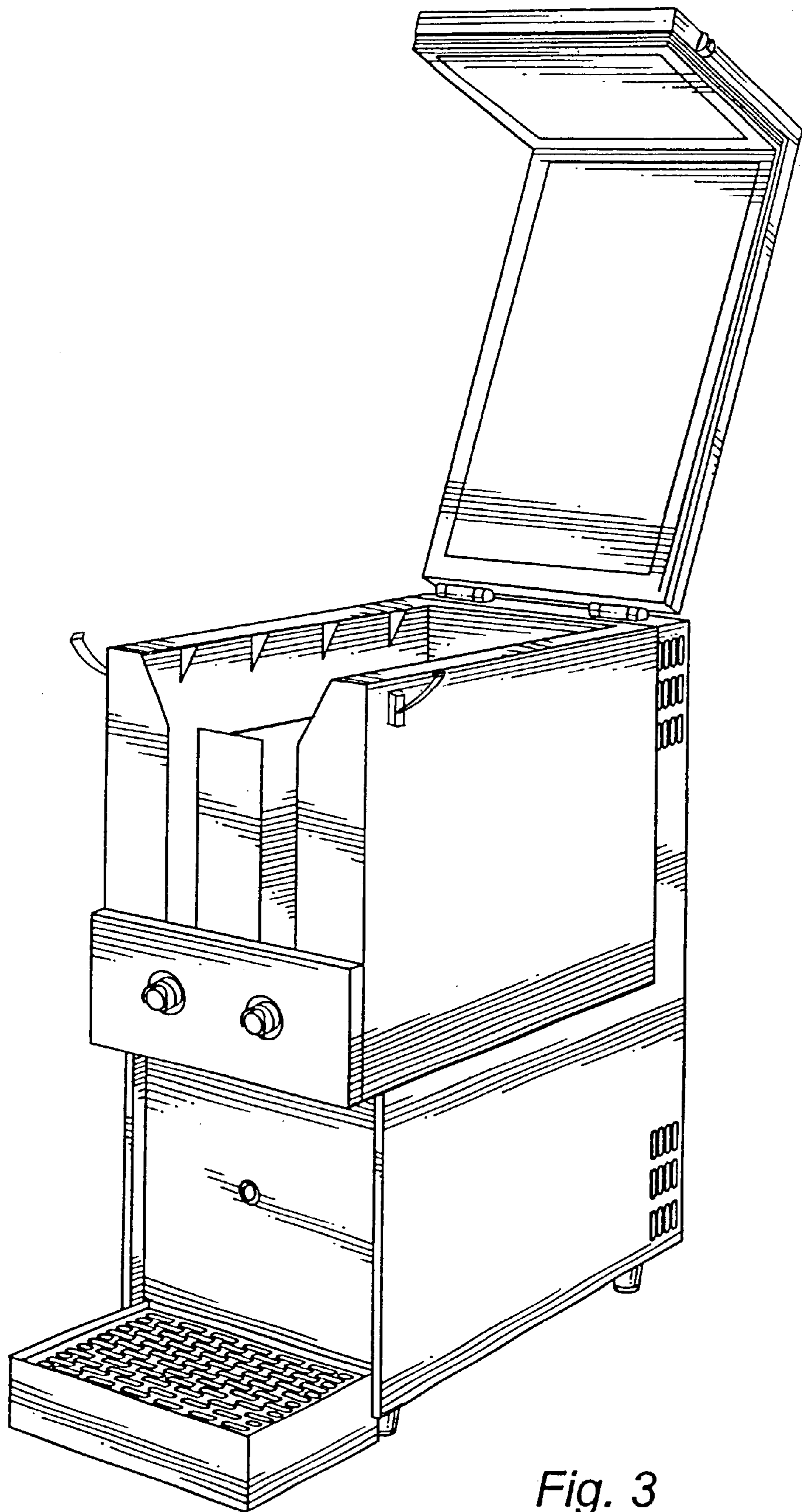


Fig. 3

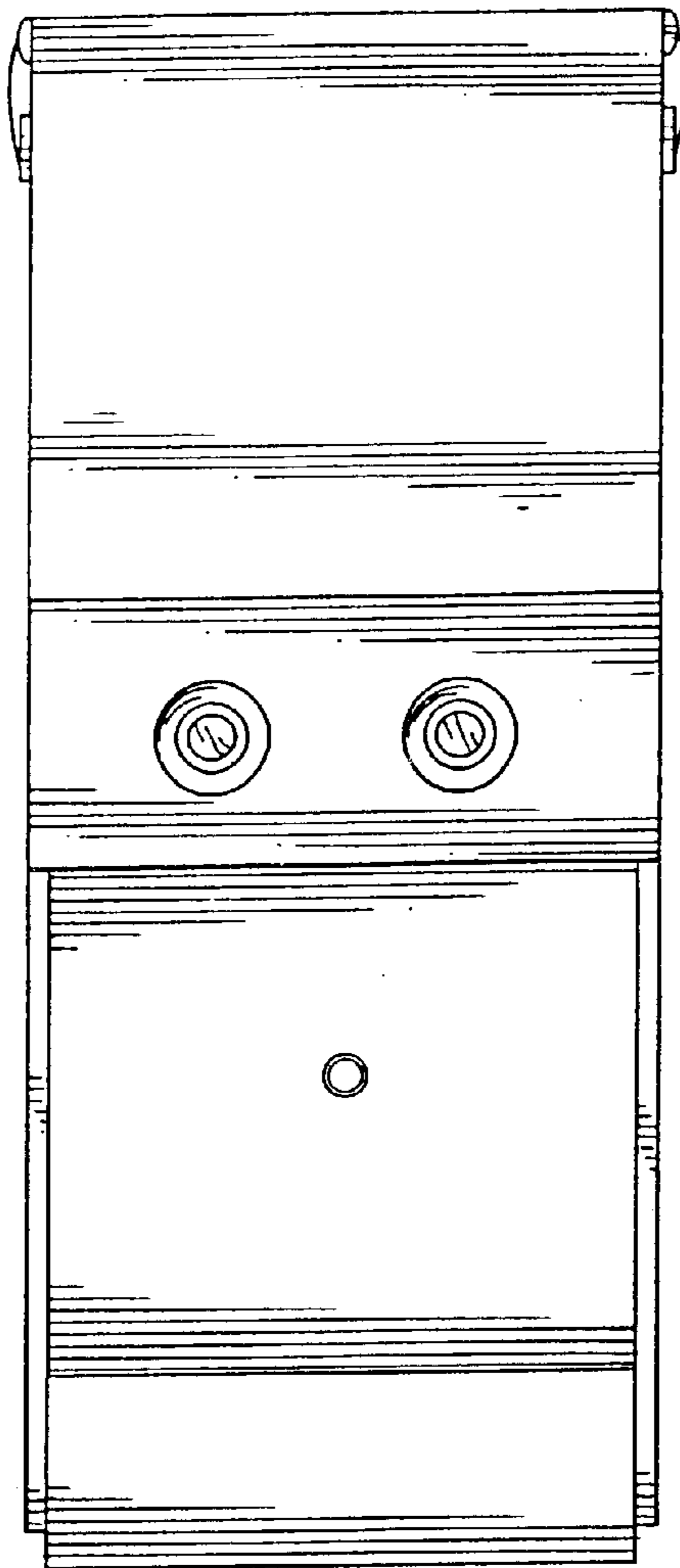


Fig 4

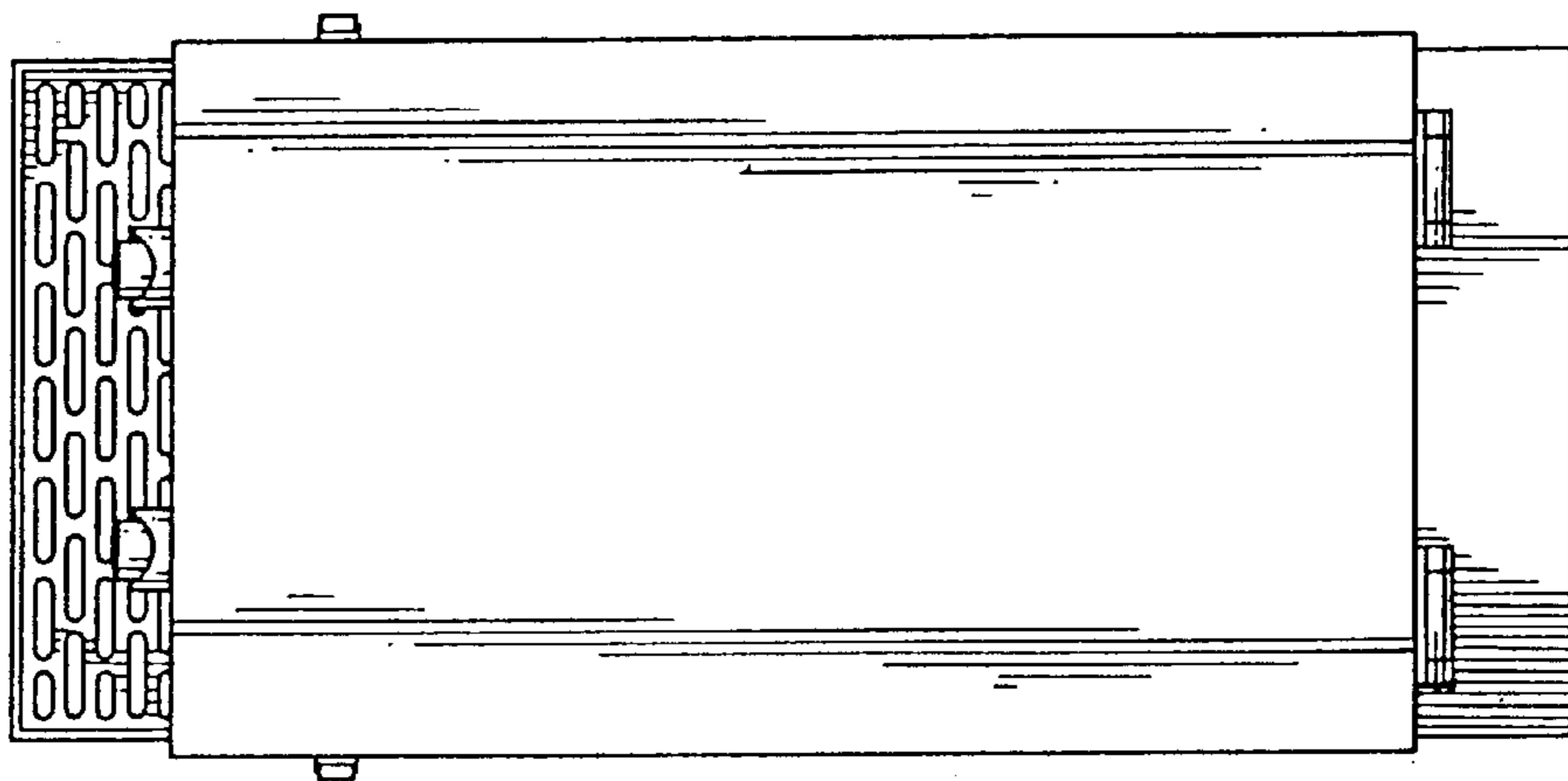


Fig 5

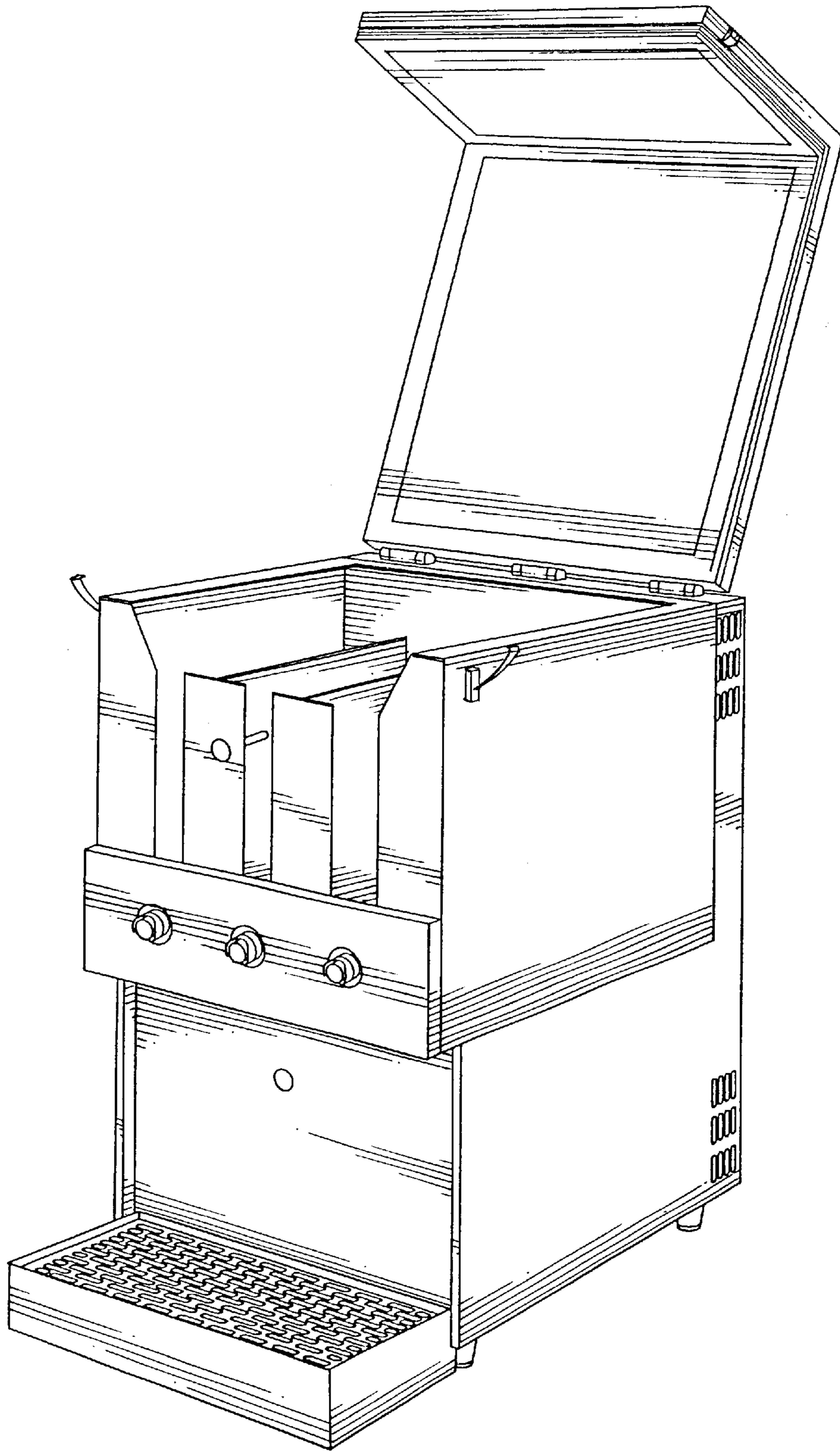


Fig. 6