



US00D454462S

(12) **United States Design Patent**  
**Merced**

(10) **Patent No.:** **US D454,462 S**  
(45) **Date of Patent:** **\*\* Mar. 19, 2002**

(54) **TOWEL**

(76) **Inventor:** **Sally Merced**, 3126 N. Marmora,  
Chicago, IL (US) 60634

(\*\*) **Term:** **14 Years**

(21) **Appl. No.:** **29/126,987**

(22) **Filed:** **Jul. 28, 2000**

(51) **LOC (7) Cl.** ..... **06-13**

(52) **U.S. Cl.** ..... **D6/608**

(58) **Field of Search** ..... D6/595, 596, 597,  
D6/599, 601, 602, 603, 604, 605, 606,  
608; D2/720, 728, 823, 860, 861, 776;  
D8/403; D24/184, 189, 192; 2/114, 914,  
915; 5/417, 418, 419, 420, 485, 486, 495,  
499, 630, 631, 632, 633, 636, 637, 638,  
639, 640, 641, 644, 645, 646, 648, 650,  
651, 652, 652.1, 653, 654, 655, 655.3,  
655.4, 655.9, 656, 657, 657.5, 663, 688,  
690, 706, 710, 717, 718, 727, 731, 733,  
736, 737, 739; 15/208, 209.1, 210.1; 128/849,  
853, 854

D163,543 S \* 6/1951 Schwartzman ..... D2/861  
D164,672 S \* 10/1951 Collingwood ..... D2/861  
2,626,648 A \* 1/1953 Anderson ..... 15/210.1  
D174,133 S \* 3/1955 Persico ..... D2/861  
2,722,010 A \* 11/1955 Thielman ..... D2/776  
3,493,973 A \* 2/1970 Armstrong ..... D2/861  
3,868,728 A \* 3/1975 Krzewinski ..... 128/854  
D242,105 S \* 11/1976 Rohrs ..... D6/608  
4,224,712 A \* 9/1980 Black et al. .... 15/209.1  
4,698,854 A 10/1987 Slimmon ..... 2/338  
D318,972 S 8/1991 Chestnut ..... D6/608  
D339,496 S 9/1993 Corcoran ..... D6/608  
D343,498 S 1/1994 Donahue ..... D2/864  
D348,583 S \* 7/1994 Rubin ..... D6/597  
D354,650 S 1/1995 Hrebenar ..... D6/599  
D377,730 S 2/1997 Pirraglia et al. .... D6/608  
D398,805 S 9/1998 Sigmon ..... D6/608  
D402,087 S \* 12/1998 Scherich ..... D2/861  
D419,748 S \* 2/2000 Sartori ..... D2/861

\* cited by examiner

*Primary Examiner*—Doris V. Coles

*Assistant Examiner*—T. Chase Nelson

(74) *Attorney, Agent, or Firm*—Goldstein Law Offices, P.C.

(57) **CLAIM**

The ornamental design for a towel, as shown and described.

**DESCRIPTION**

FIG. 1 is a front elevational view of a towel.

FIG. 2 is a rear elevational view thereof.

FIG. 3 is a left side elevational view thereof, the right side  
elevational view being a mirror image of the left side view.

FIG. 4 is a top plan view of the towel; and,

FIG. 5 is a bottom plan view thereof.

**1 Claim, 2 Drawing Sheets**

(56) **References Cited**

**U.S. PATENT DOCUMENTS**

1,478,112 A 12/1923 Flather  
D90,673 S \* 9/1933 Meeks ..... D2/861  
2,117,962 A \* 5/1938 Johnson ..... 15/208  
D145,297 S 7/1946 Hall  
D145,308 S 7/1946 Lange  
D145,310 S 7/1946 Lange  
D145,382 S 8/1946 Carpadus  
D145,389 S 8/1946 Carpadus

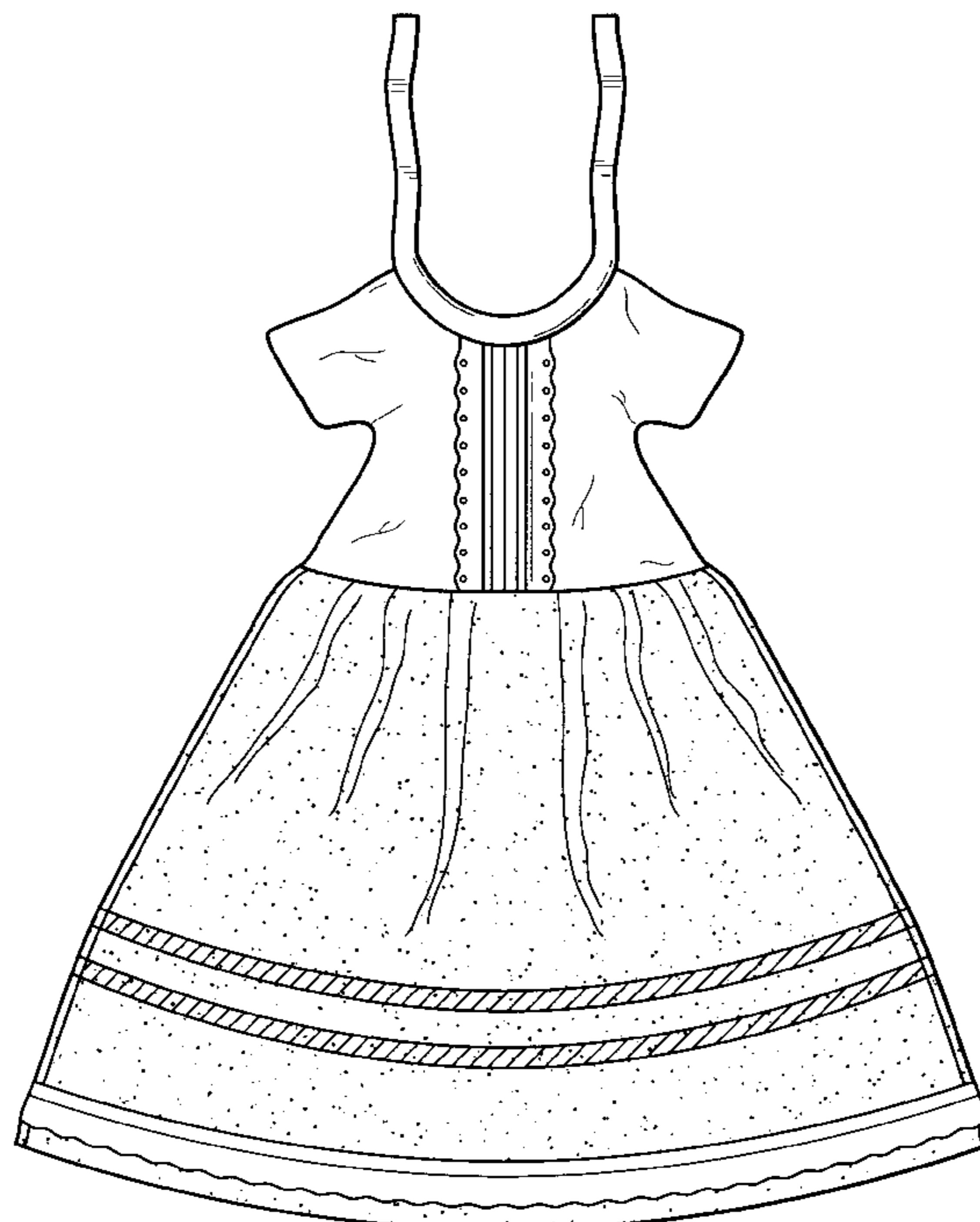


Fig. 2

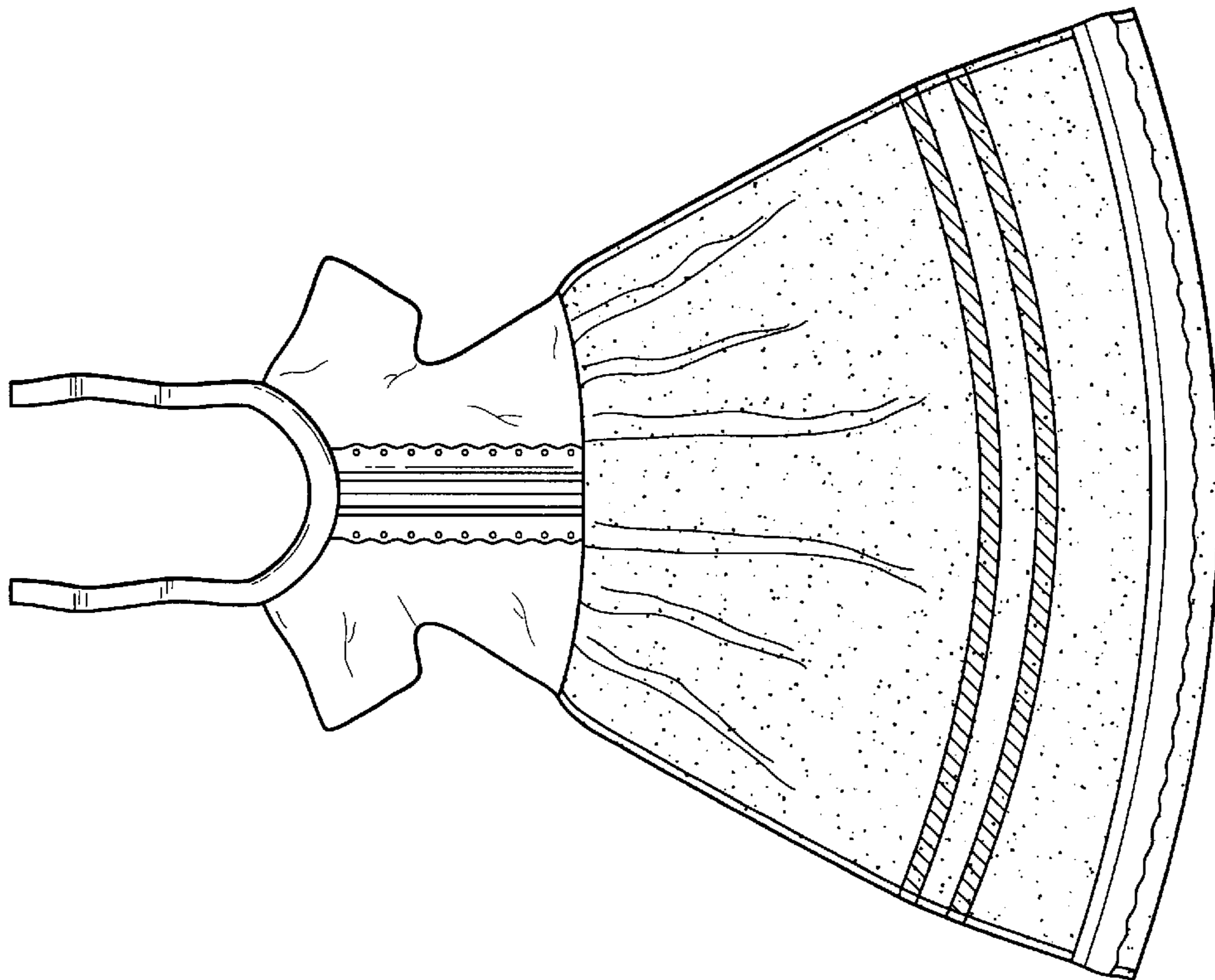
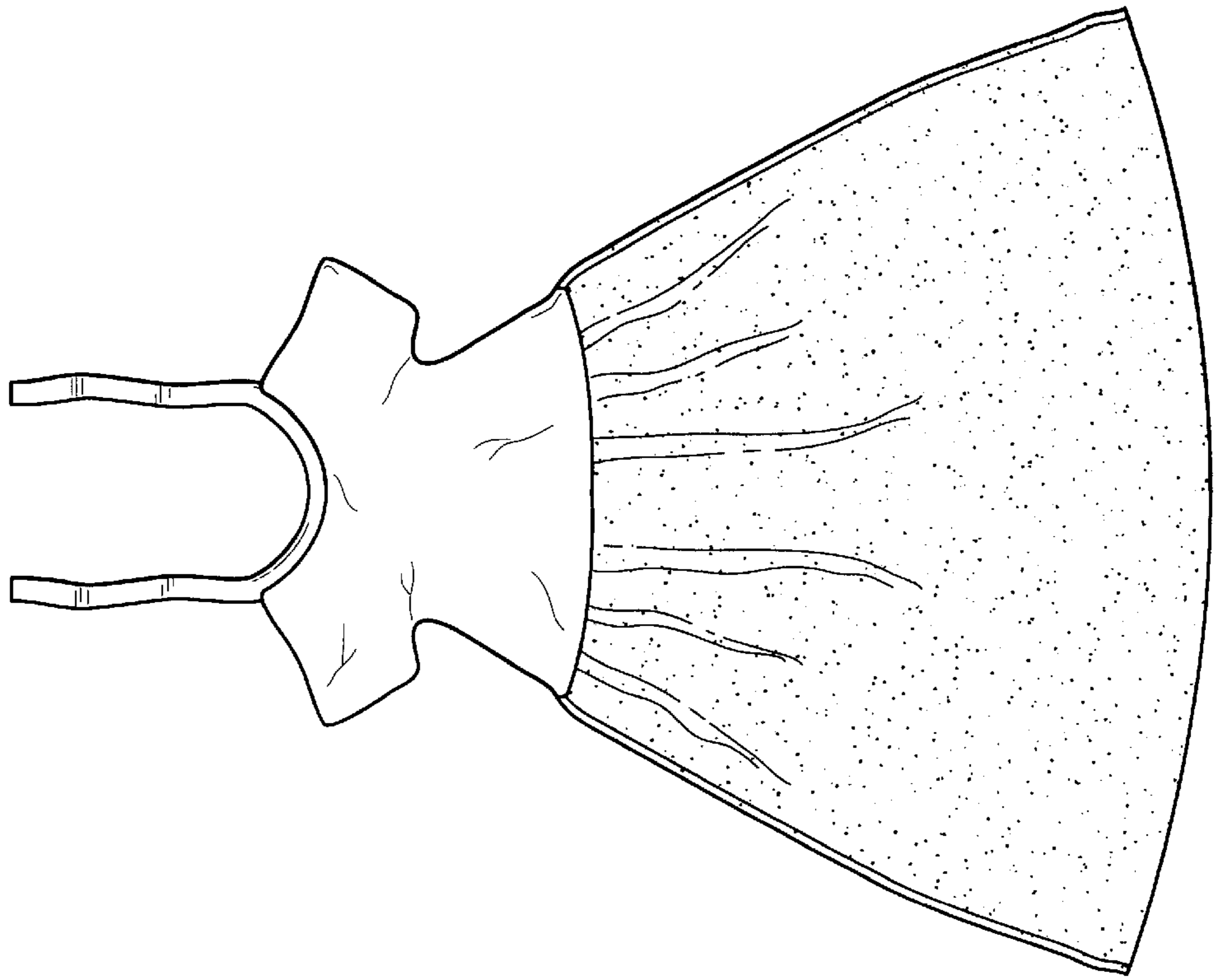


Fig. 1

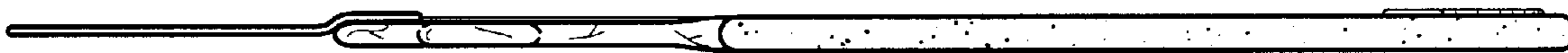


Fig. 3



Fig. 4



Fig. 5