



US00D454460S

(12) **United States Design Patent**  
**Davies**

(10) **Patent No.:** **US D454,460 S**

(45) **Date of Patent:** **\*\* Mar. 19, 2002**

(54) **HAIR APPLIANCE ORGANIZER**

*Primary Examiner*—Brian N. Vinson

(76) Inventor: **Davina D Davies**, 146 S. Monroe Apt  
1, Coldwater, MI (US) 49036

(57) **CLAIM**

(\*\*) Term: **14 Years**

The ornamental design for a hair appliance organizer, as shown and described.

(21) Appl. No.: **29/139,071**

**DESCRIPTION**

(22) Filed: **Mar. 23, 2001**

(51) **LOC (7) Cl.** ..... **06-04**

(52) **U.S. Cl.** ..... **D6/566**

(58) **Field of Search** ..... D6/553, 552, 567,  
D6/574; 211/13.1, 70.6, 86.01, 87.01, 90.03,  
126.1, 126.9, 181.1; 248/302, 309.1, 314

(56) **References Cited**

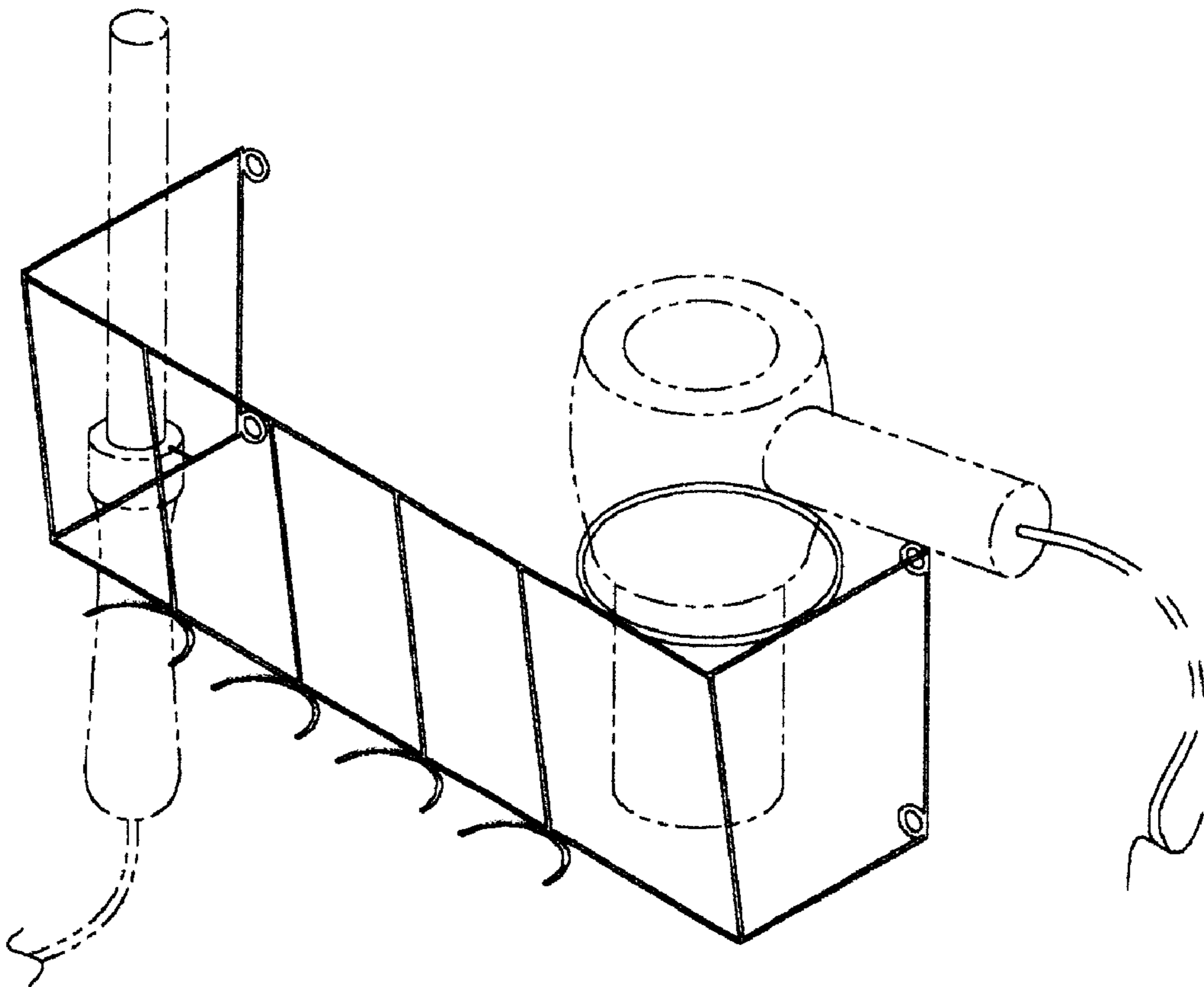
**U.S. PATENT DOCUMENTS**

2,371,433	A	3/1945	Davis	
2,508,945	A	5/1950	Heuer	
2,974,804	A	3/1961	Maro	
4,871,074	A	10/1989	Bryson et al.	
D354,874	S	1/1995	Burch	
5,727,701	A	3/1998	Rhoades	
D400,037	S	* 10/1998	Bartholow	..... D6/566
D428,848	S	* 8/2000	Wurst	..... D6/566 X
D438,042	S	* 2/2001	Hofman et al.	..... D6/566

\* cited by examiner

FIG. 1 is a front elevational view of the hair appliance organizer of the present invention;  
 FIG. 2 is a rear elevational view of the hair appliance organizer of FIG. 1;  
 FIG. 3 is a right elevational view of the hair appliance organizer of FIG. 1, the left view being a mirror image thereof;  
 FIG. 4 is a top plan view of the hair appliance organizer of FIG. 1;  
 FIG. 5 is a bottom plan view of the hair appliance organizer of FIG. 1; and,  
 FIG. 6 is a top, front, right side perspective view of the hair appliance organizer of FIG. 1.  
 The broken lines showing of a curling iron and hair dryer in FIG. 6 are for illustrative purposes only and form no part of the claimed design.

**1 Claim, 4 Drawing Sheets**



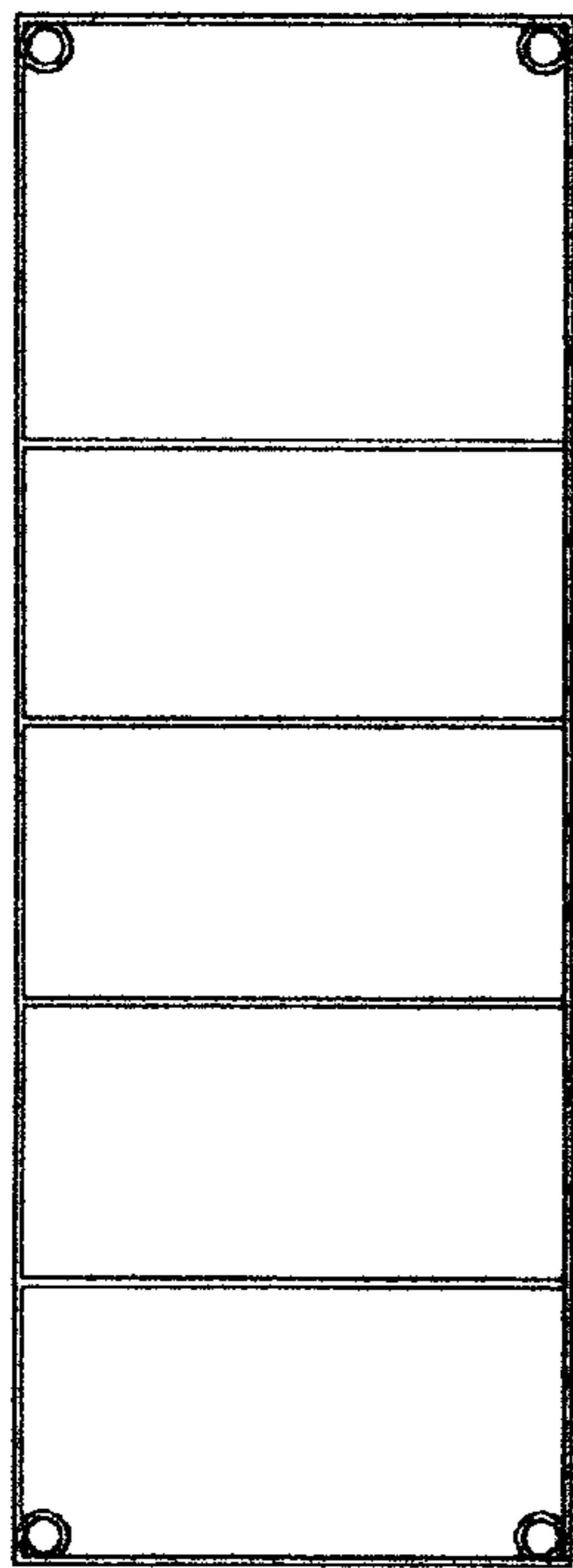
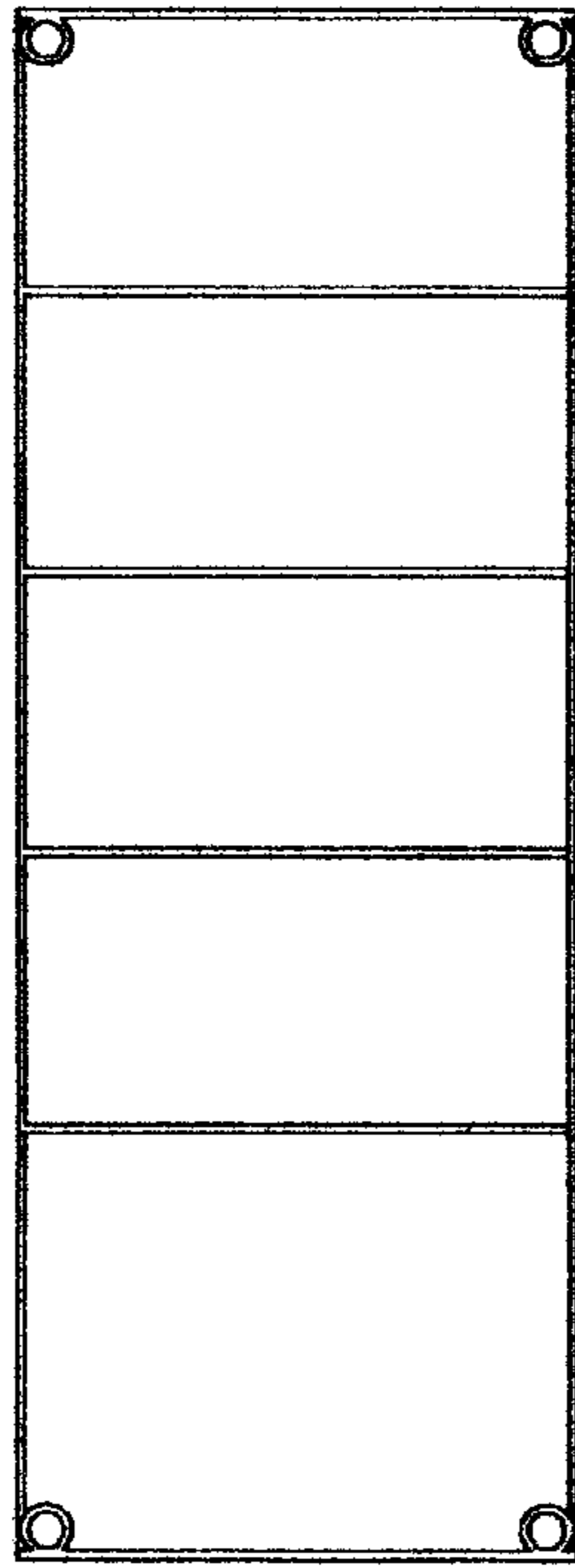


FIG. 2

FIG. 1

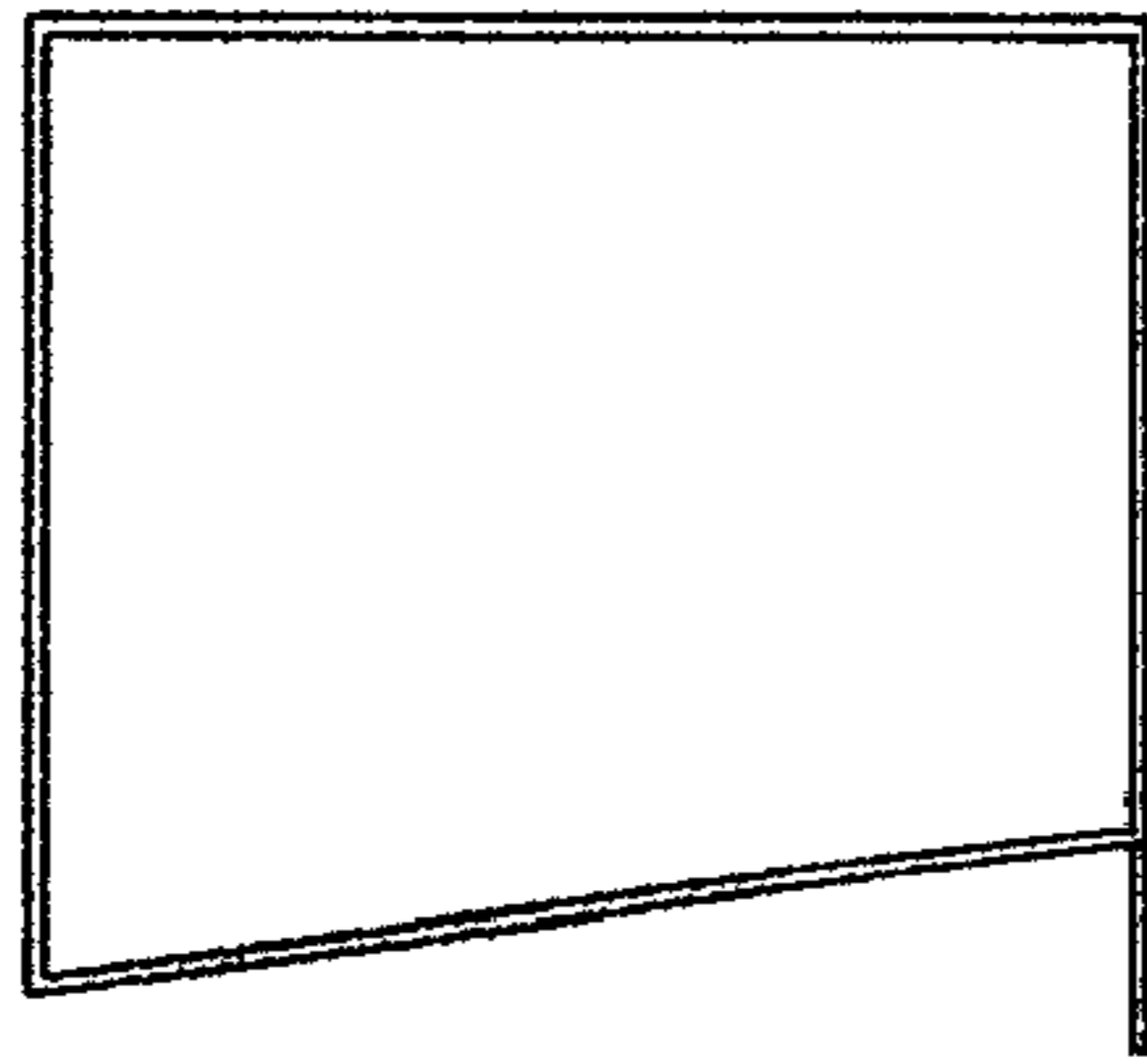


FIG. 3

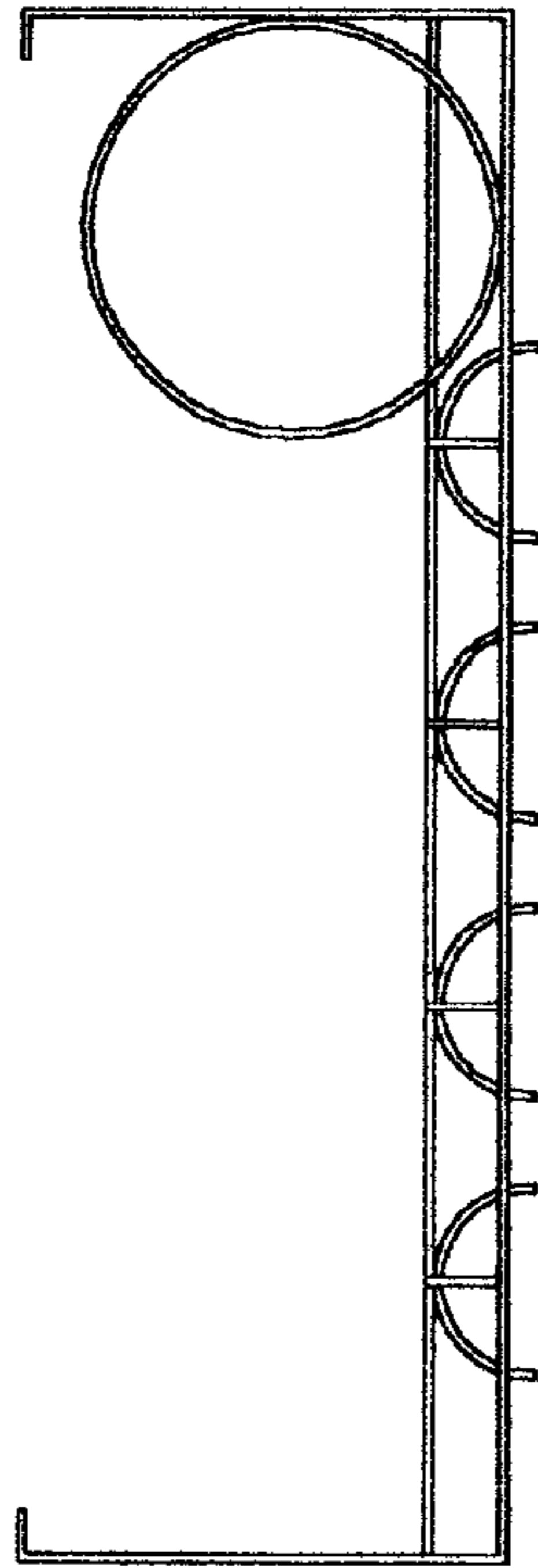
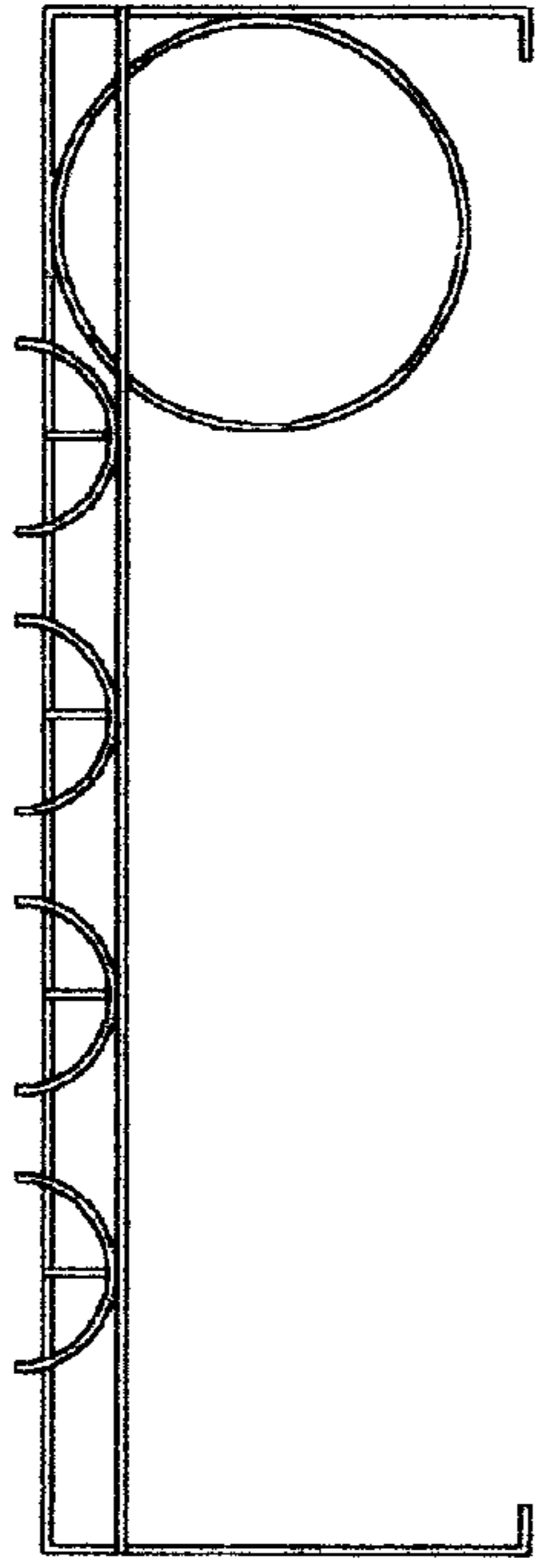


FIG. 5

FIG. 4

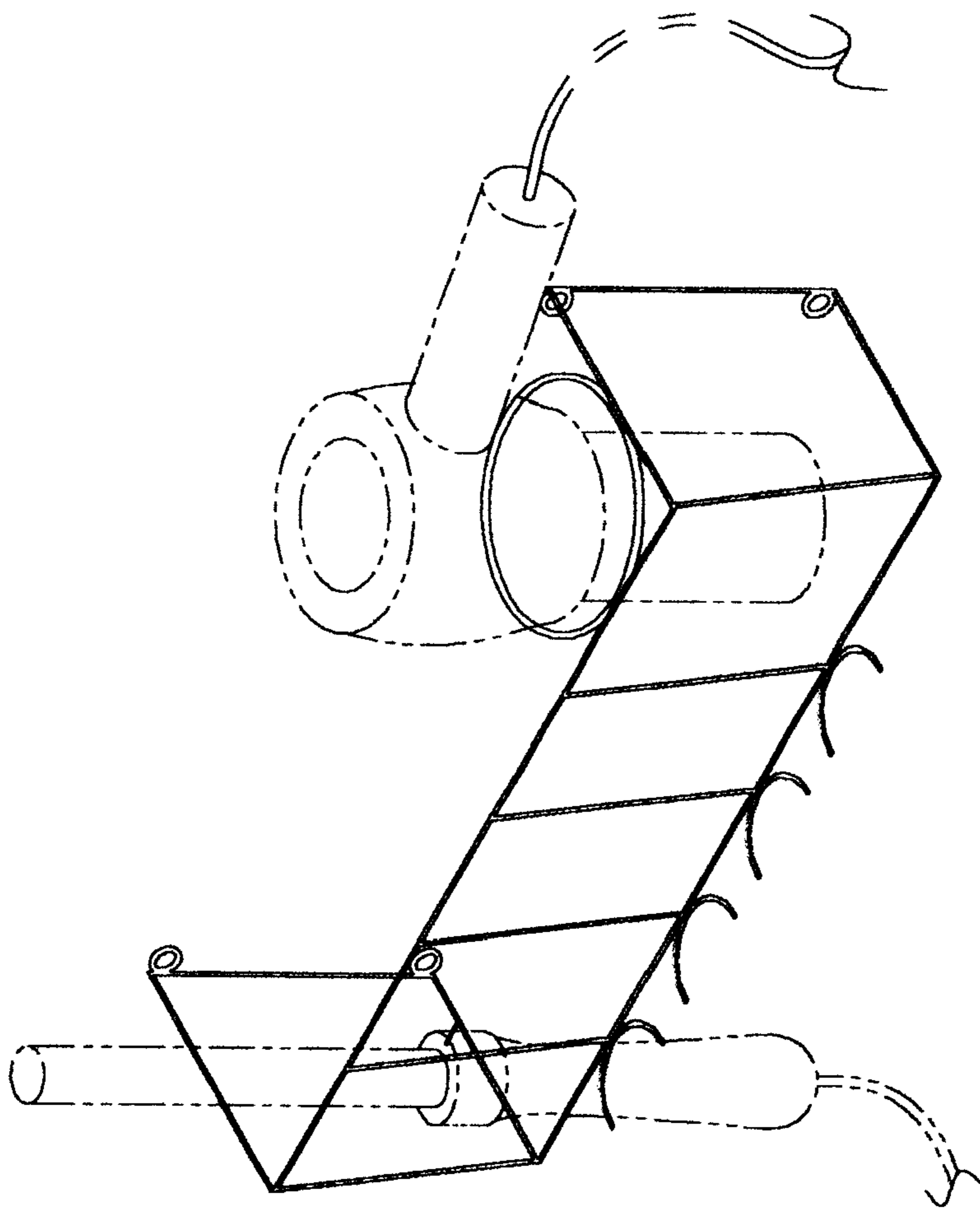


FIG. 6