



US00D454457S

(12) **United States Design Patent**  
**Ou-Young**

(10) **Patent No.:** **US D454,457 S**

(45) **Date of Patent:** **\*\* Mar. 19, 2002**

(54) **TOWEL RING**

(75) **Inventor:** **Ming Ou-Young, Tai Chung (TW)**

(73) **Assignee:** **Globe Union America Corporation,**  
**Bolingbrook, IL (US)**

(\*\*) **Term:** **14 Years**

(21) **Appl. No.:** **29/136,931**

(22) **Filed:** **Feb. 9, 2001**

(51) **LOC (7) Cl.** ..... **06-04**

(52) **U.S. Cl.** ..... **D6/546**

(58) **Field of Search** ..... D6/546, 550; 211/13.1,  
211/85.3, 86.01, 87.01, 95, 96, 123, 181.1,  
105.1, 105.2; 248/205.1, 302, 309.1, 315

(56) **References Cited**

**U.S. PATENT DOCUMENTS**

D259,754 S	*	7/1981	Fleischmann et al.	.....	D6/546
D357,378 S	*	4/1995	Lehn et al.	.....	D6/546
D361,006 S		8/1995	Sharpe		
D377,570 S		1/1997	Sharpe		
D388,271 S	*	12/1997	Moore	.....	D6/546
D390,393 S		2/1998	Sharpe		
D391,105 S		2/1998	Sharpe		
D392,138 S		3/1998	Wu		
D392,139 S		3/1998	Wu		
D393,166 S		4/1998	Sharpe		

D394,971 S		6/1998	Moore		
D395,371 S		6/1998	Sharpe		
D398,451 S		9/1998	Sharpe		
D406,484 S		3/1999	Wu		
D408,188 S	*	4/1999	Kuo	.....	D6/550
D409,029 S		5/1999	Harris		
D409,030 S	*	5/1999	Sweetman	.....	D6/546
D421,895 S		3/2000	Snell		
D429,998 S		8/2000	Snell		
D434,934 S	*	12/2000	Solowiej	.....	D6/546
D437,162 S	*	2/2001	Fiegl et al.	.....	D6/546
D442,000 S	*	5/2001	Milrud et al.	.....	D6/546

\* cited by examiner

*Primary Examiner*—Brian N. Vinson

(74) *Attorney, Agent, or Firm*—Brinks Hofer Gilson & Lione

(57) **CLAIM**

The ornamental design for a towel ring, as shown and described.

**DESCRIPTION**

FIG. 1 is a perspective view showing my new design.  
FIG. 2 is a front view thereof.  
FIG. 3 is a top view thereof.  
FIG. 4 is a side view thereof.  
FIG. 5 is a back view thereof; and,  
FIG. 6 is a bottom view thereof.

**1 Claim, 2 Drawing Sheets**

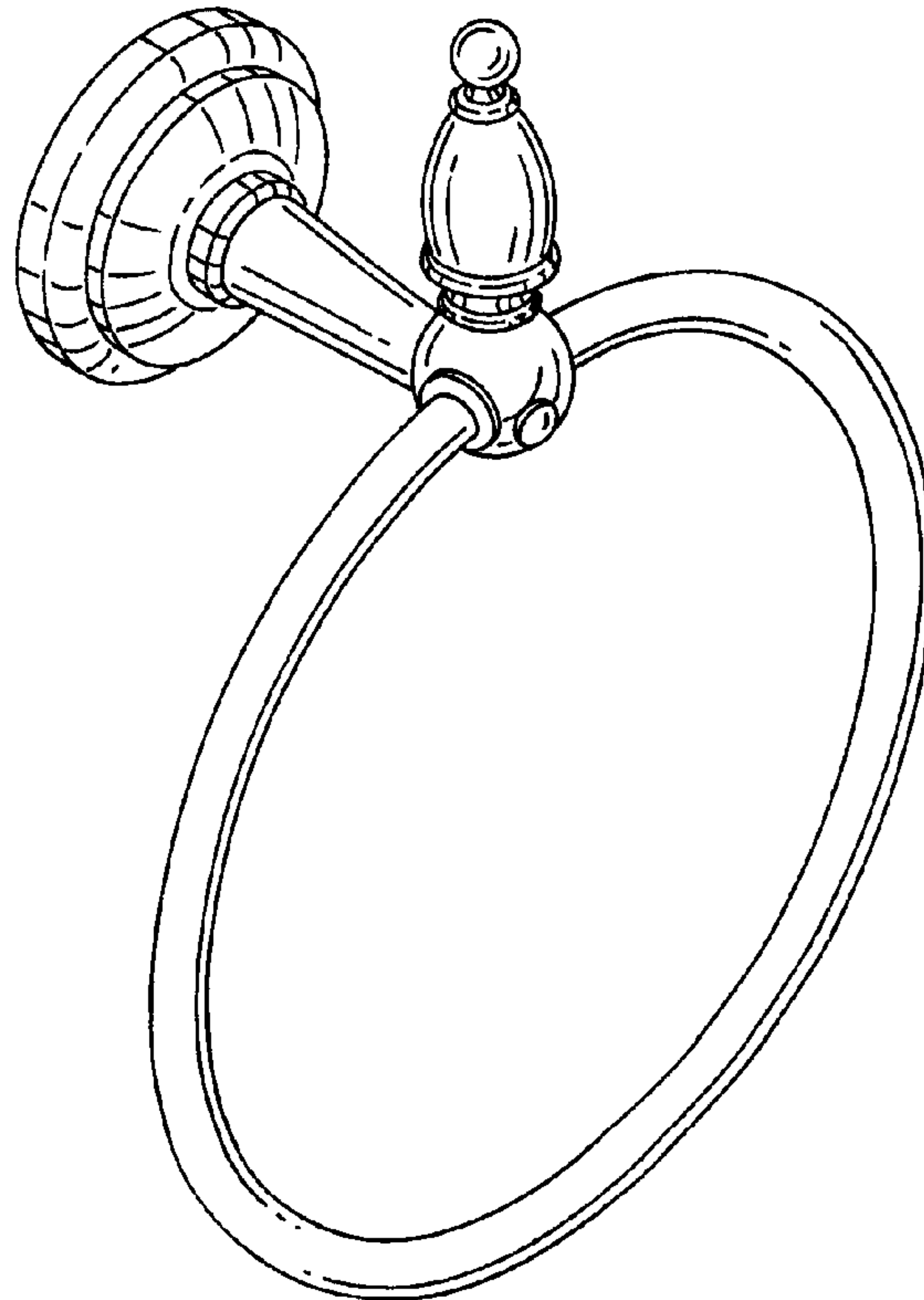


FIG. 1

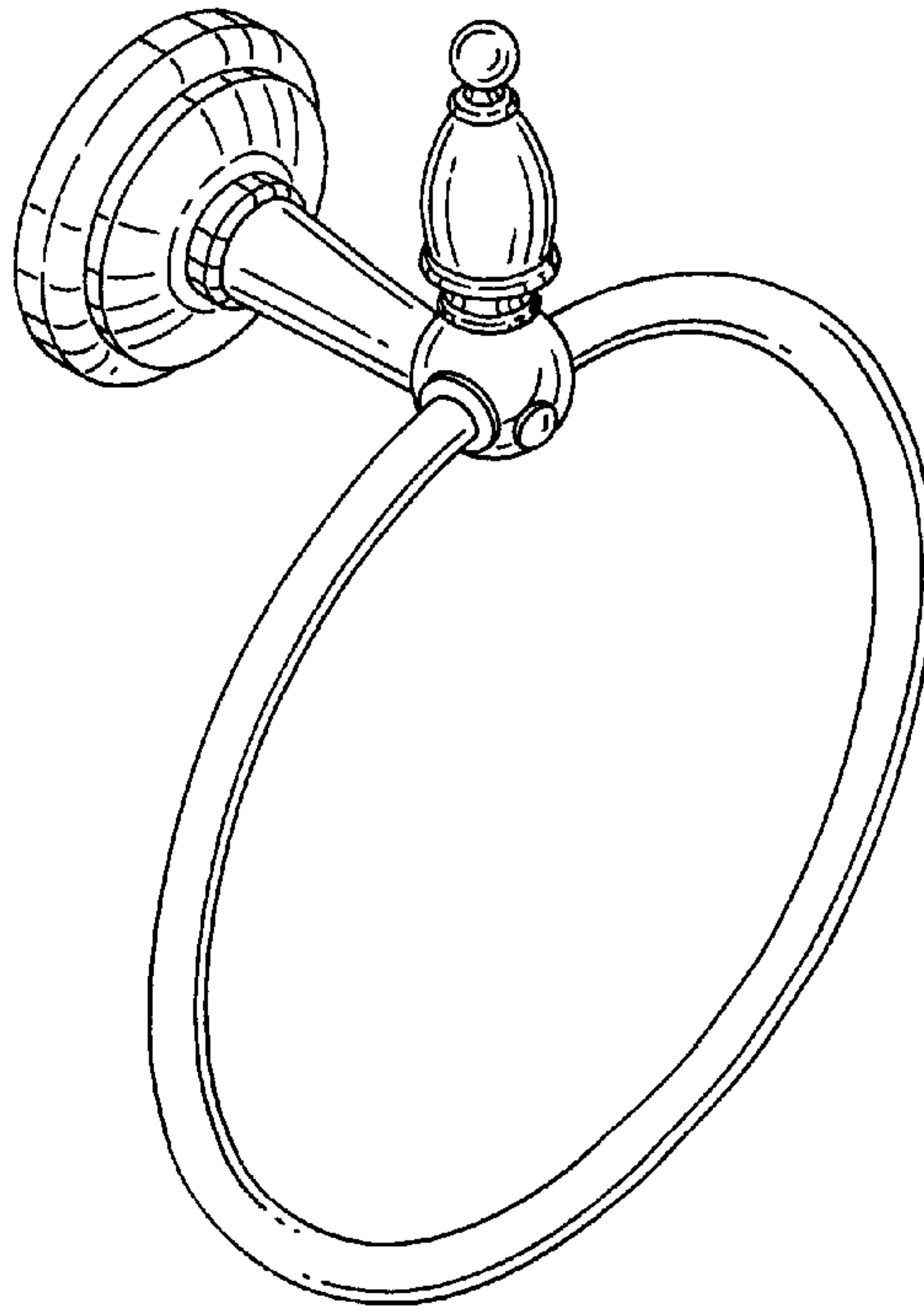


FIG. 2

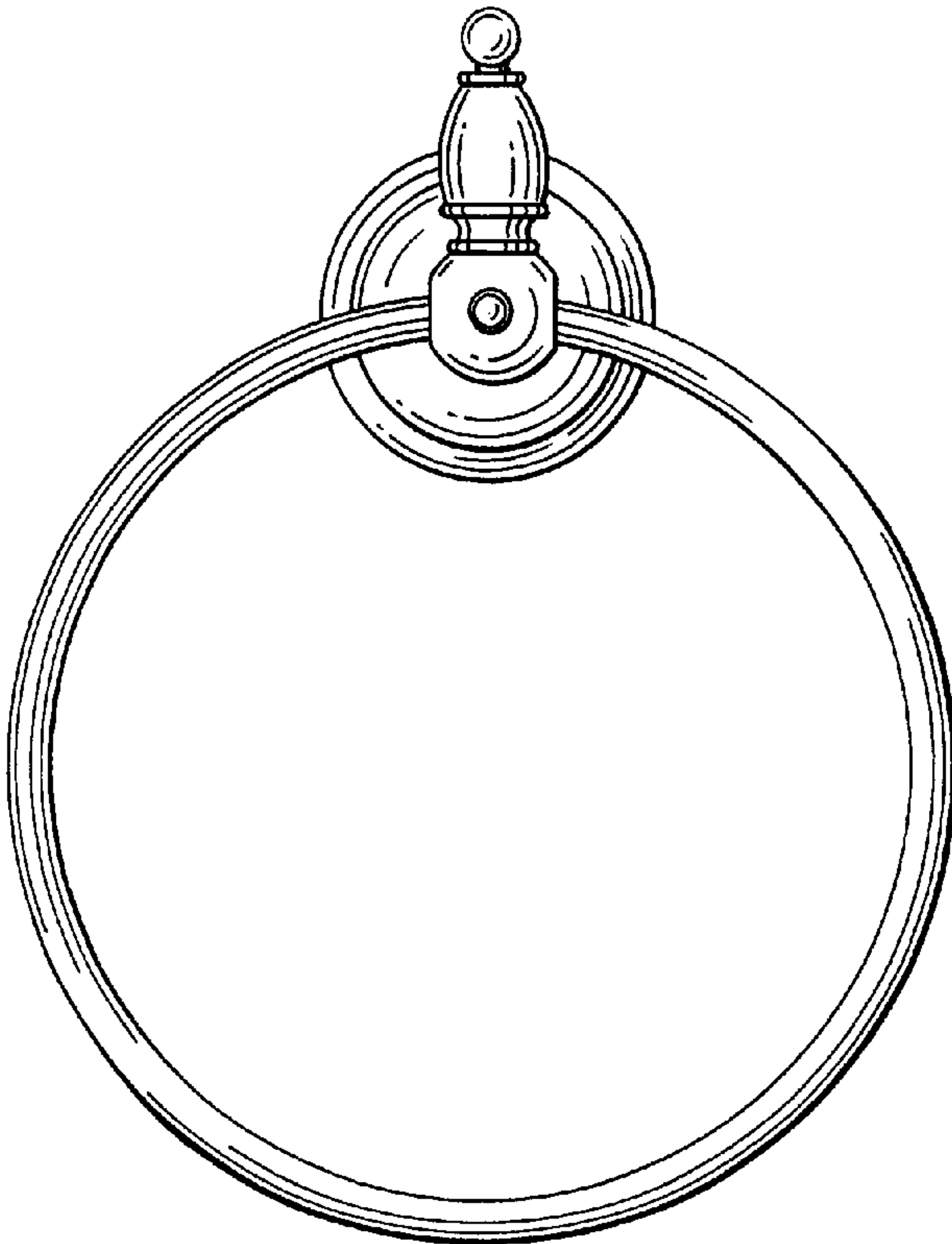


FIG. 3

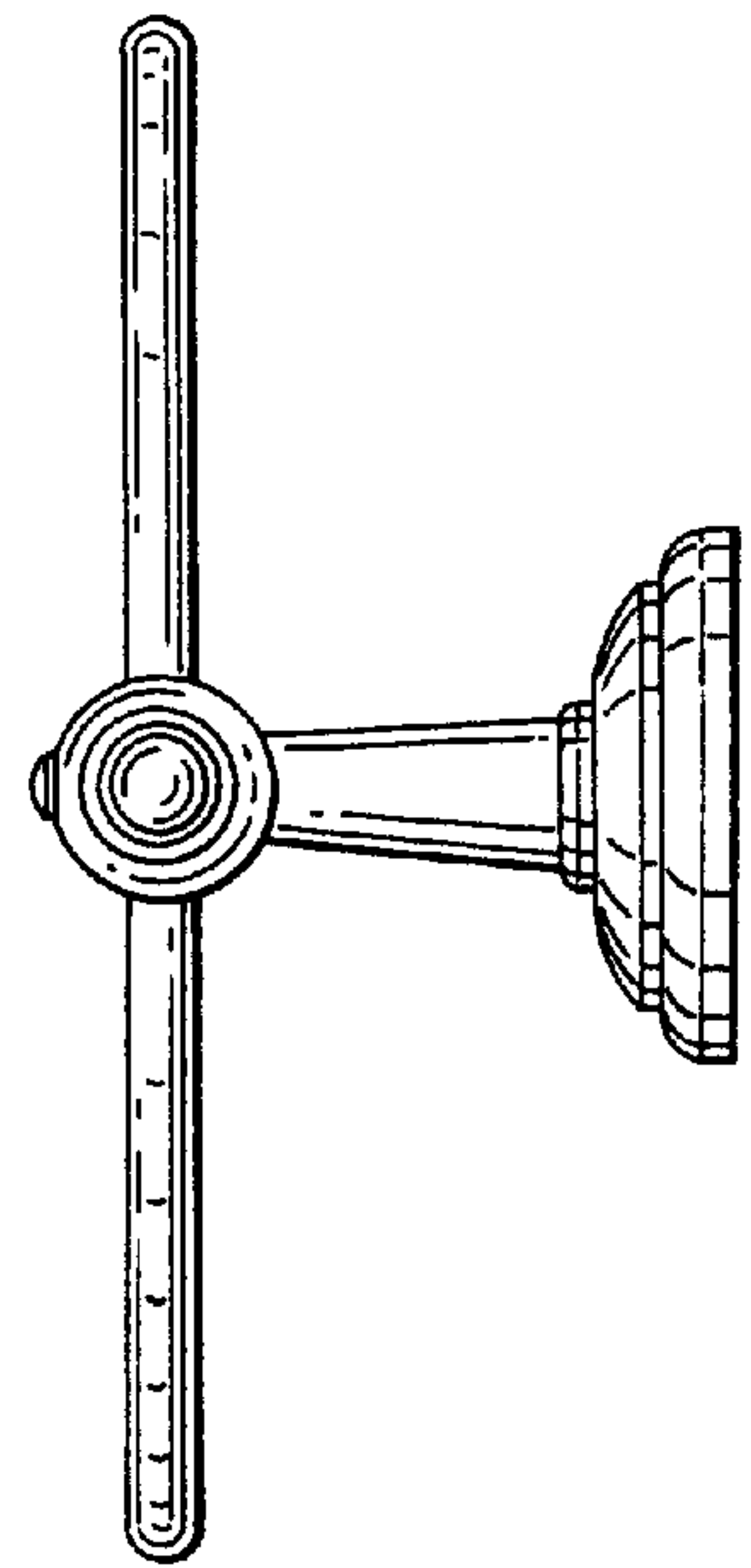


FIG. 4

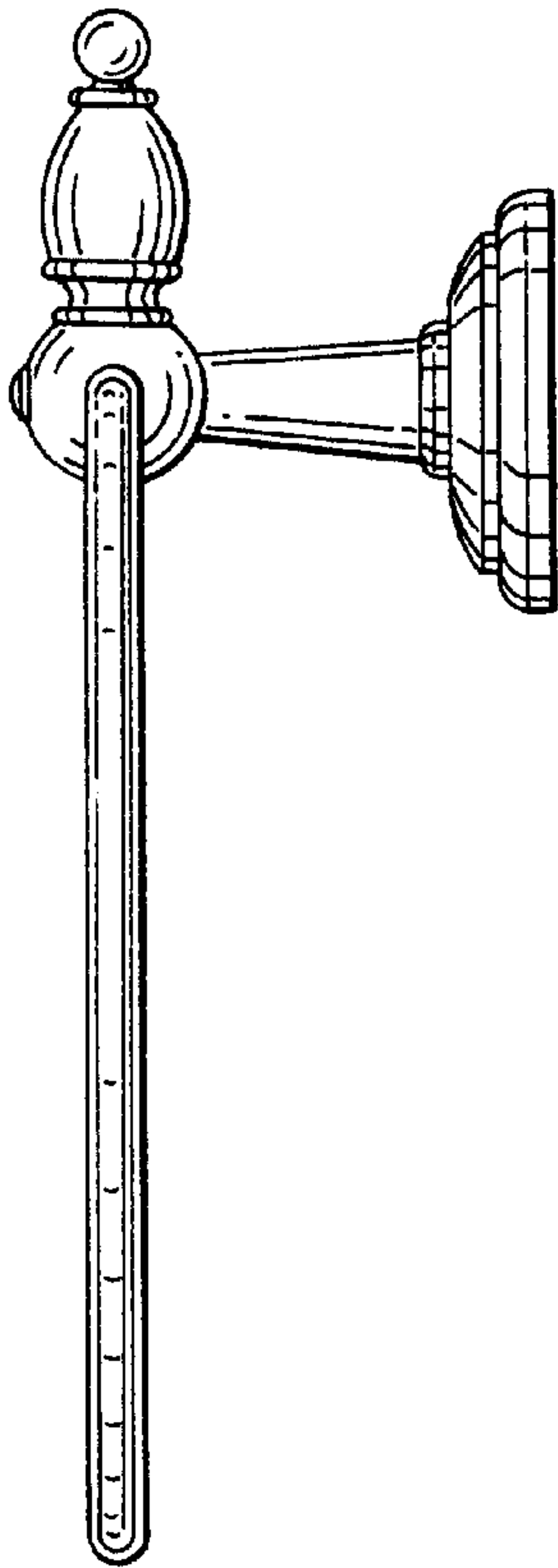


FIG. 5

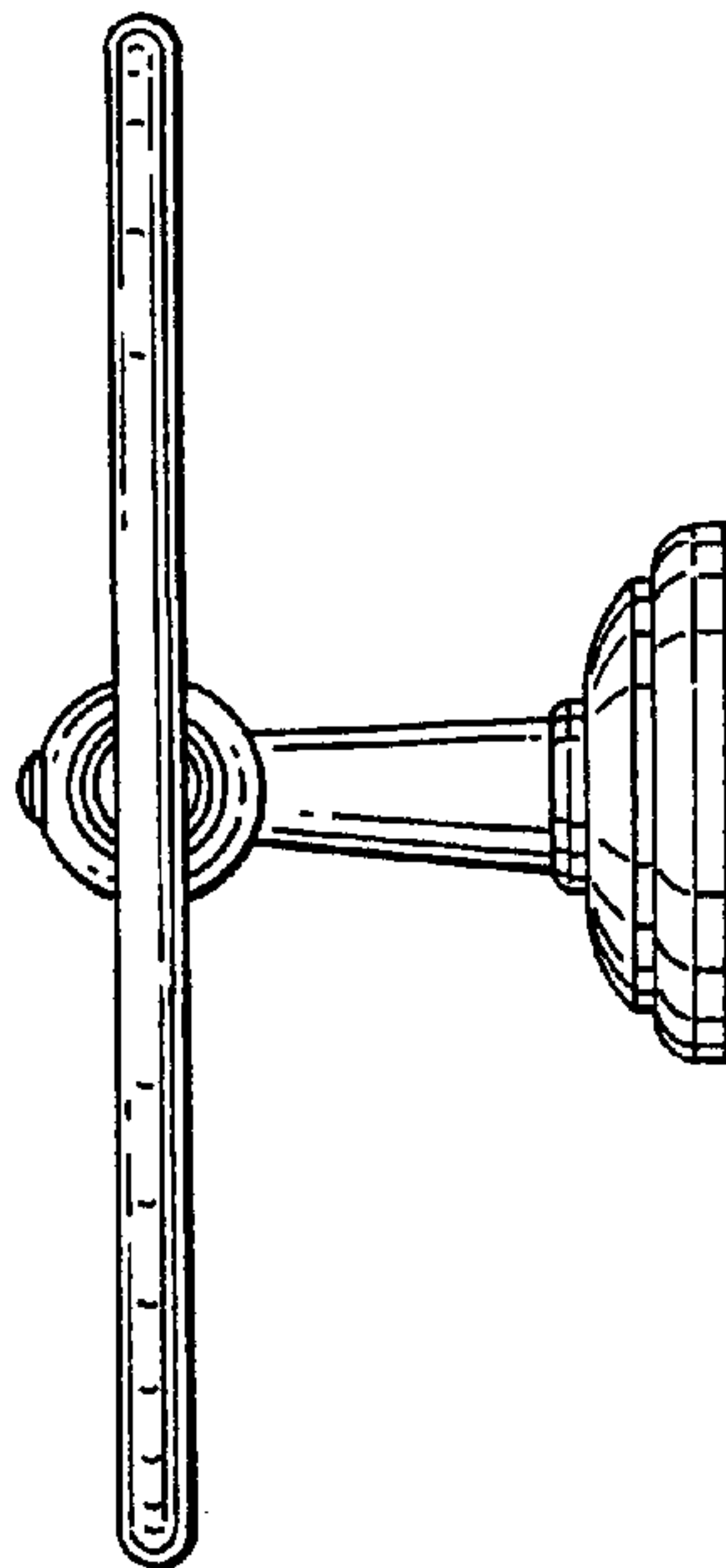
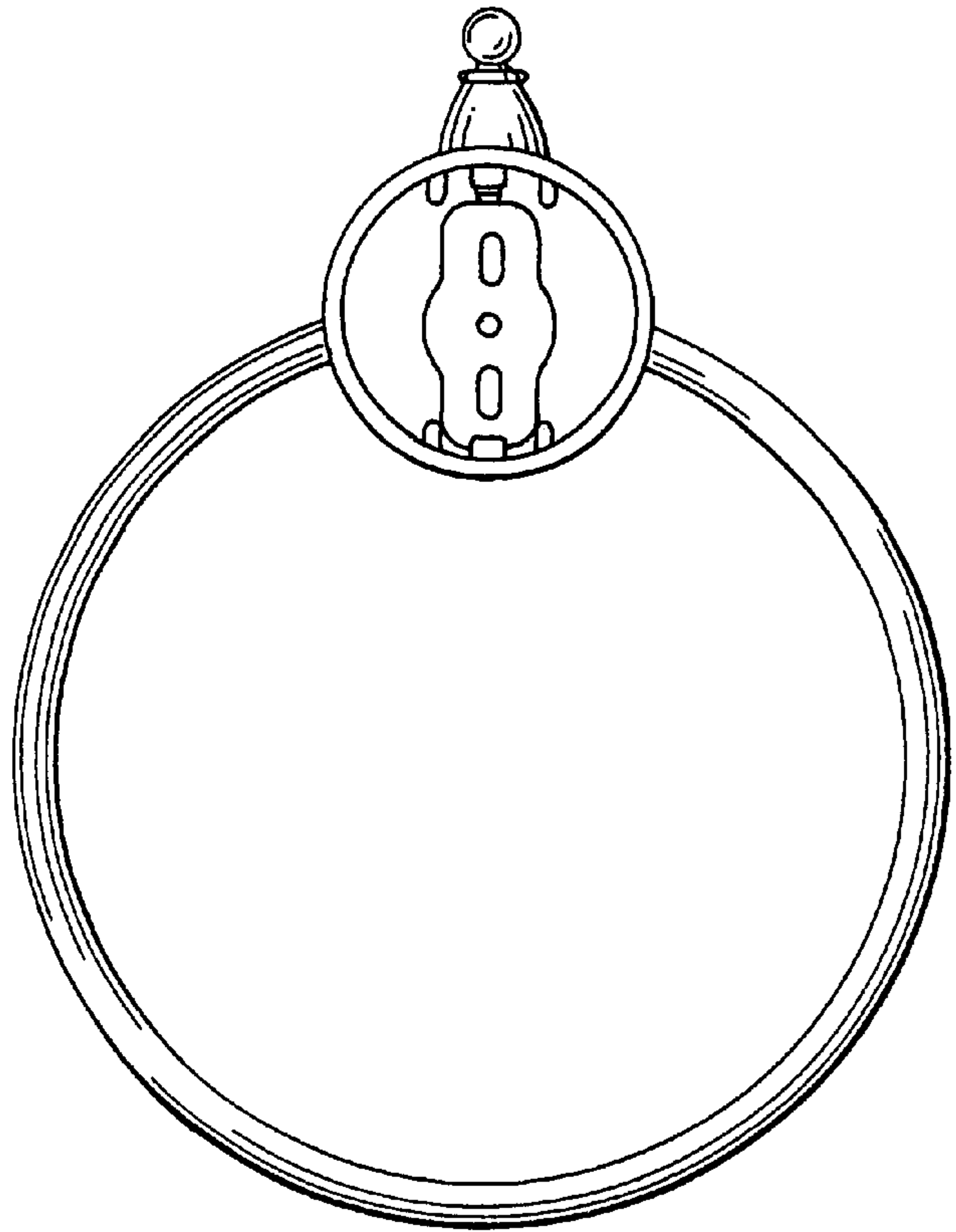


FIG. 6

UNITED STATES PATENT AND TRADEMARK OFFICE  
**CERTIFICATE OF CORRECTION**

PATENT NO. : Des. 454,457 S  
DATED : March 19, 2002  
INVENTOR(S) : Horng-Yih Chou

Page 1 of 1

It is certified that error appears in the above-identified patent and that said Letters Patent is hereby corrected as shown below:

Title page,

Item [12], delete “**Ou-Young**” and substitute -- **Chou** -- in its place.

Item [75], delete “**Ming Ou-Young, Tai Chung**” and substitute -- **Horng-Yih Chou, Nantou** -- in its place.

Signed and Sealed this

Ninth Day of September, 2003

A handwritten signature in black ink, appearing to read "James E. Rogan", with a horizontal line underneath it.

JAMES E. ROGAN

*Director of the United States Patent and Trademark Office*