



US00D454456S

(12) **United States Design Patent**  
**Meck et al.**

(10) **Patent No.:** **US D454,456 S**

(45) **Date of Patent:** **\*\* Mar. 19, 2002**

(54) **TISSUE ROLL HOLDER**

(75) Inventors: **Leslie A. Meck**, Fleetwood; **Randy S. Cramer**, Lebanon; **Daniel J. Roche**, Wyomissing; **Renee K. Chesler**, Royersford, all of PA (US)

(73) Assignee: **Baldwin Hardware Corporation**, Reading, PA (US)

(\*\*) Term: **14 Years**

(21) Appl. No.: **29/131,762**

(22) Filed: **Oct. 27, 2000**

(51) **LOC (7) Cl.** ..... **23-02**

(52) **U.S. Cl.** ..... **D6/523**

(58) **Field of Search** ..... D6/546-50, 518, D6/522-24; D8/300, 307-308, 315-21; 108/28-29; 211/13.1, 16, 60.1, 86.01, 87.01, 88.04, 100, 105.1-105.2, 123, 181.1, 182; 242/570, 590, 595, 597-98; 248/175, 176.1, 251, 302; 16/110.1, 412, 415

(56) **References Cited**

**U.S. PATENT DOCUMENTS**

2,632,605 A \* 3/1953 Lee ..... D6/523 X

D304,402 S \* 11/1989 Hoose ..... D6/523  
D434,933 S \* 12/2000 Fiegl et al. .... D6/523  
D439,086 S \* 3/2001 Milrud et al. .... D6/523  
D439,779 S \* 4/2001 Wu ..... D6/523

\* cited by examiner

*Primary Examiner*—Brian N. Vinson

(74) *Attorney, Agent, or Firm*—Myron B. Kapustij; Lloyd D. Doigan

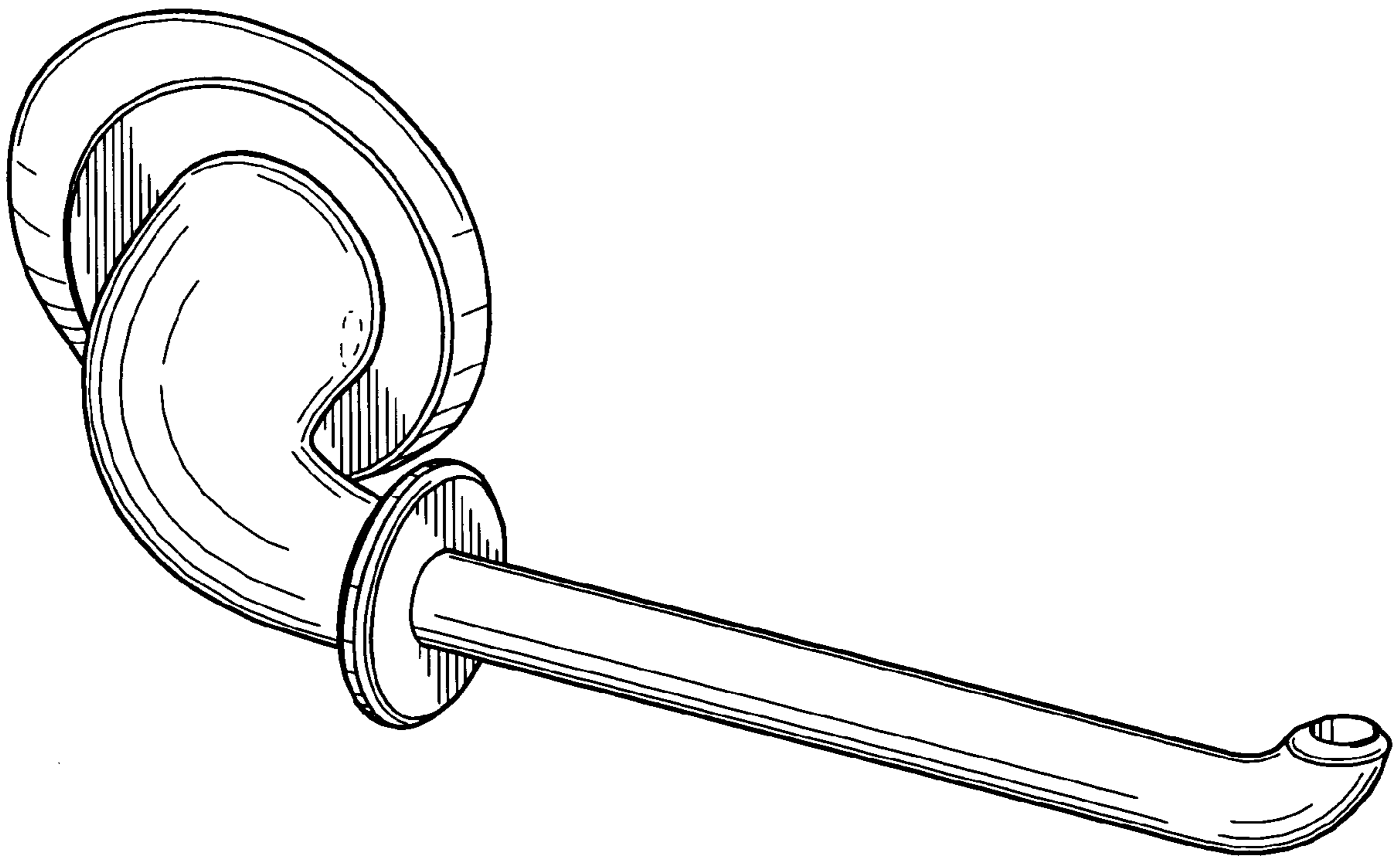
(57) **CLAIM**

The ornamental design for a tissue roll holder, as shown and described.

**DESCRIPTION**

FIG. 1 is a top perspective view of a tissue roll holder showing our new design;  
FIG. 2 is a front elevational view thereof;  
FIG. 3 is a top plan view thereof;  
FIG. 4 is a bottom plan view thereof;  
FIG. 5 is a left side elevational view thereof;  
FIG. 6 is a right side elevational view thereof; and,  
FIG. 7 is a rear elevational view thereof.  
The broken line showing of the set screws in FIGS. 1, 6 and 7 are for purposes of illustration only and form no part of the claimed design.

**1 Claim, 4 Drawing Sheets**



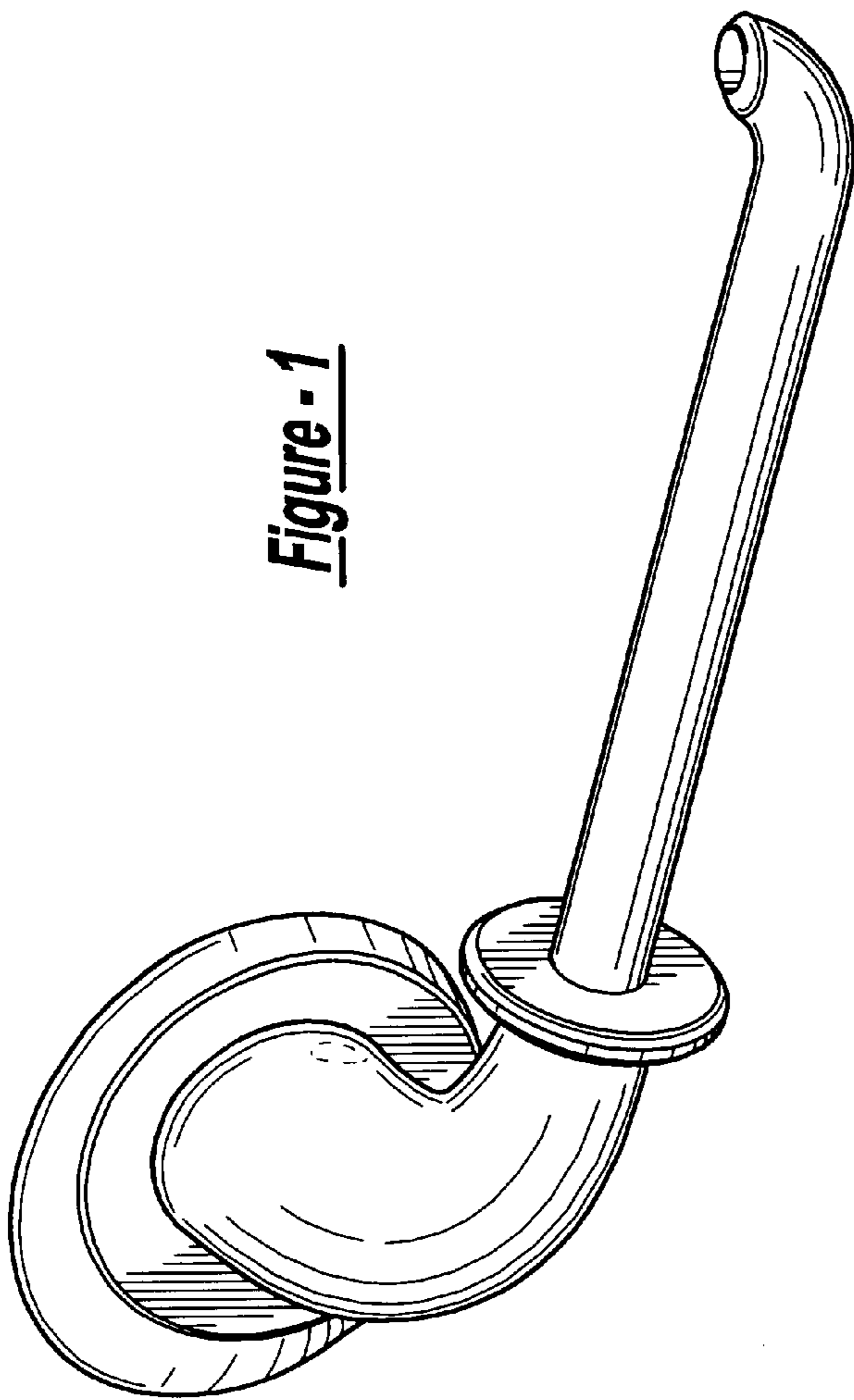


Figure - 1

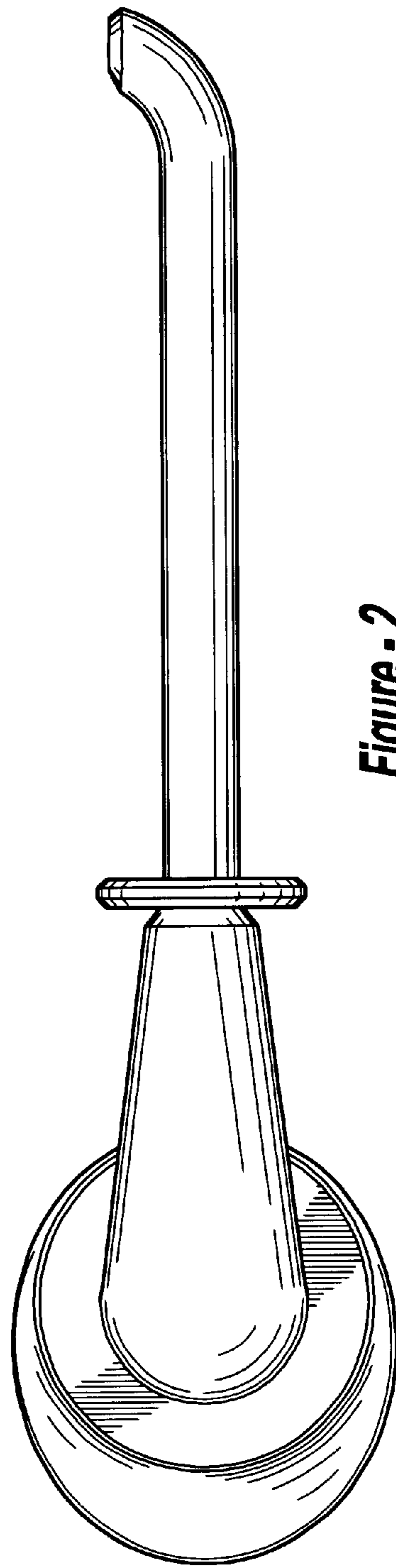
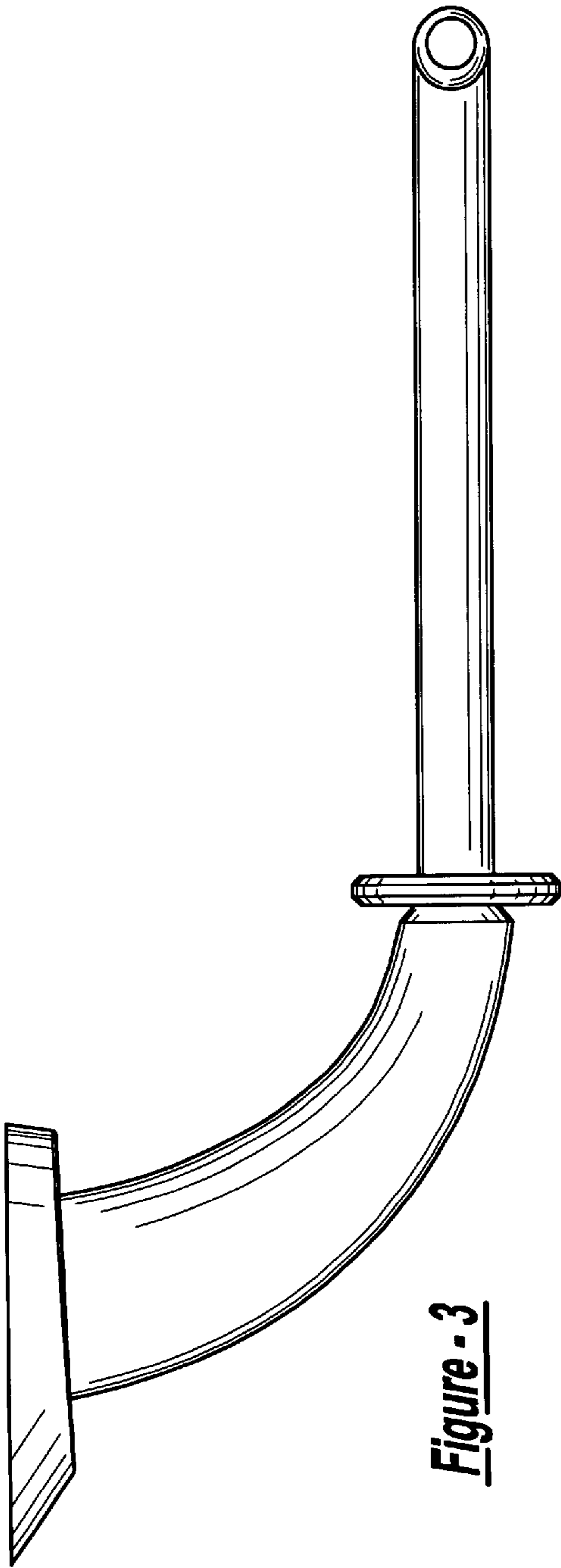
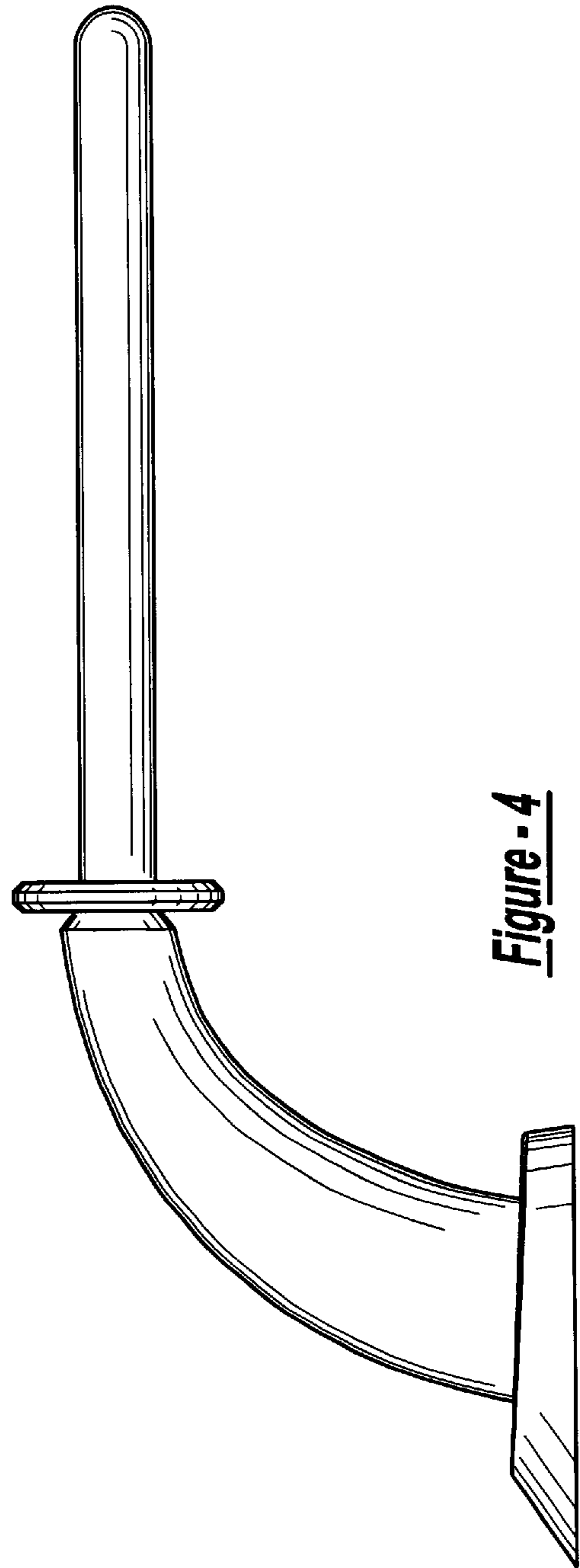


Figure - 2



**Figure - 3**



**Figure - 4**

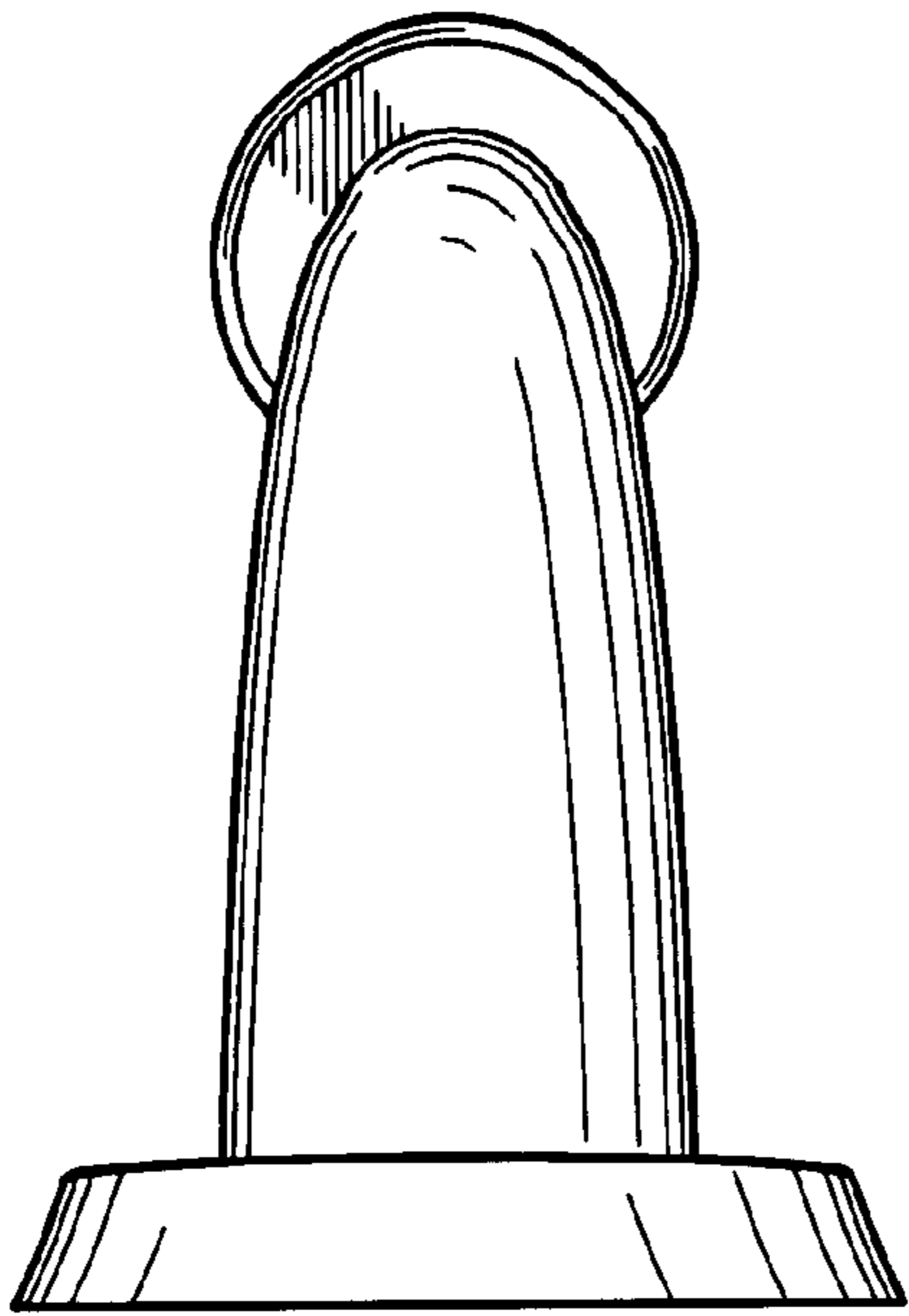


Figure - 5

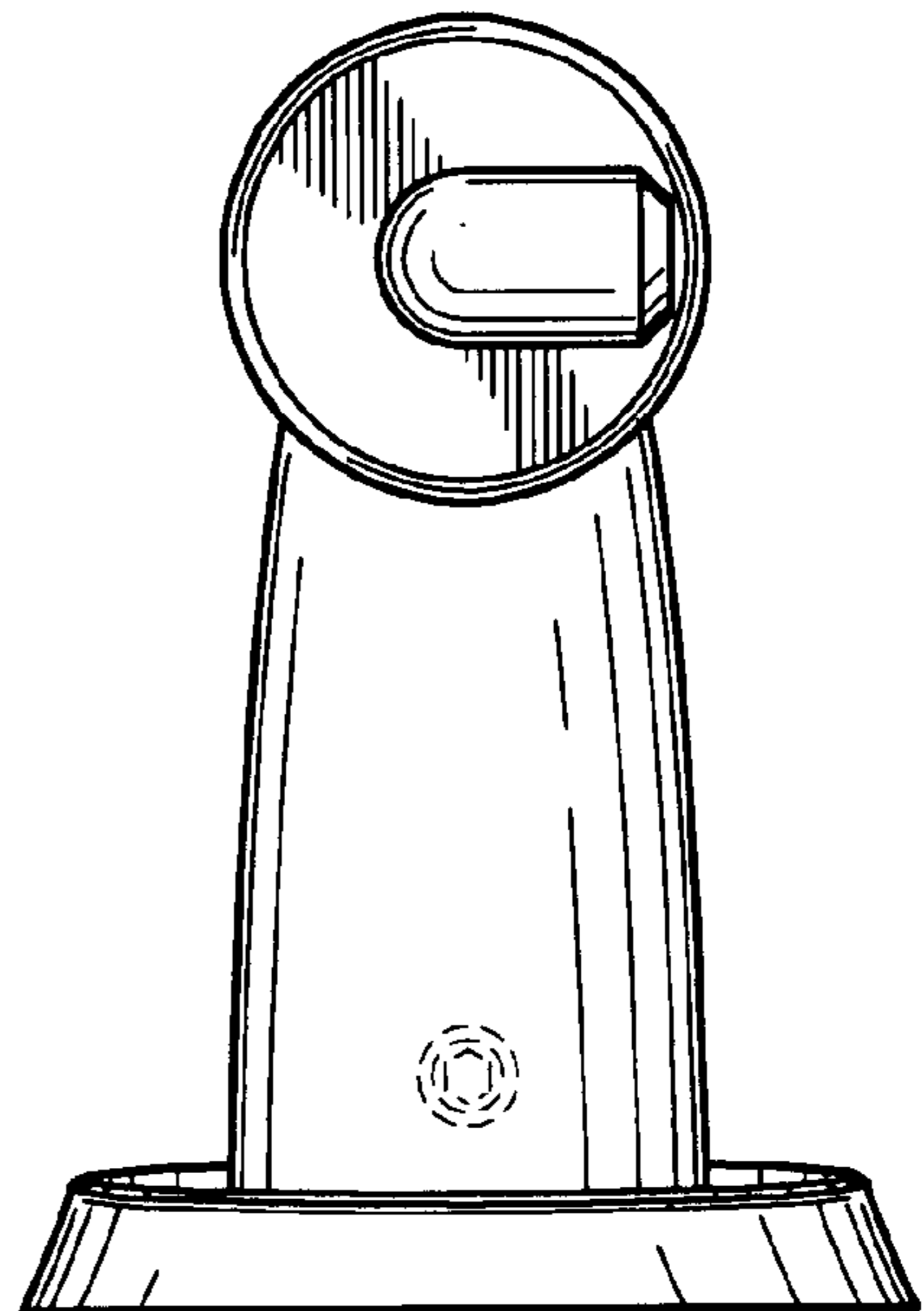
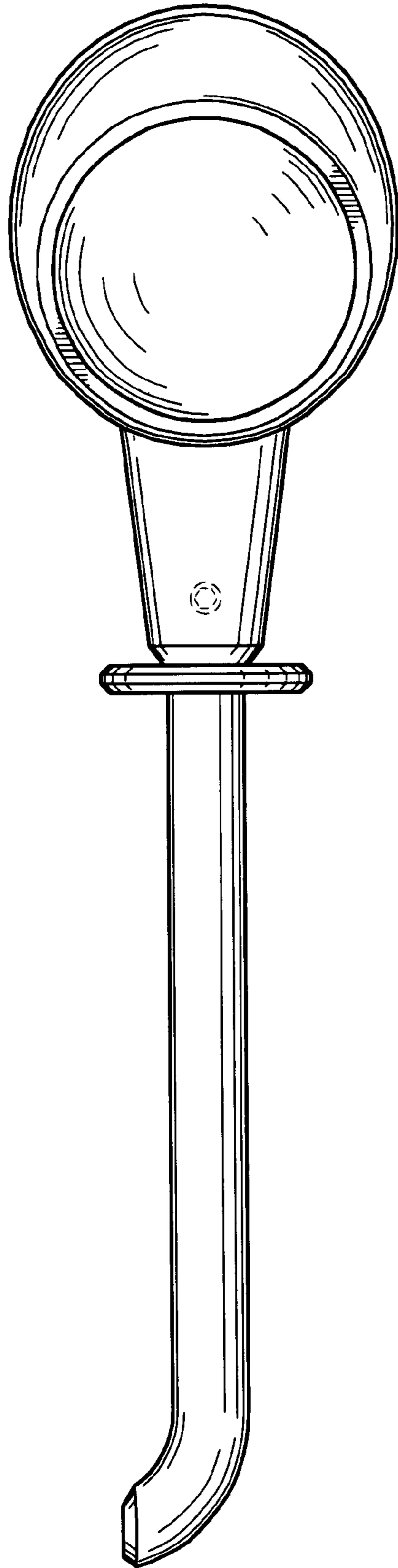


Figure - 6



**Figure - 7**