



US00D454451S

(12) **United States Design Patent**  
**Ooyama**

(10) **Patent No.:** **US D454,451 S**

(45) **Date of Patent:** **\*\* Mar. 19, 2002**

(54) **SEAT FOR BARBER OR BEAUTY CHAIR**

(75) Inventor: **Kazuo Ooyama, Osaka (JP)**

(73) Assignee: **Oohiro Works, Ltd., Osaka (JP)**

(\*\*) Term: **14 Years**

(21) Appl. No.: **29/132,764**

(22) Filed: **Nov. 15, 2000**

(30) **Foreign Application Priority Data**

May 19, 2000 (JP) ..... 2000-013274

(51) **LOC (7) Cl.** ..... **06-01**

(52) **U.S. Cl.** ..... **D6/500; D6/360**

(58) **Field of Search** ..... D6/334, 335, 360,  
D6/364, 365, 366, 367, 374, 375, 379,  
380, 500-502; 297/411.2, 411.25, 411.27,  
411.28, 411.44, 423.1, 423.19, 423.25

(56) **References Cited**

**U.S. PATENT DOCUMENTS**

D354,176 S \* 1/1995 SchwaegerLe et al. .... D6/360

D422,802 S \* 4/2000 Deacon ..... D6/366

D430,434 S \* 9/2000 Ooyama ..... D6/500

D430,983 S \* 9/2000 Hirota ..... D6/500

D444,308 S \* 7/2001 Ooyama ..... D6/360

\* cited by examiner

*Primary Examiner*—Doris V. Coles

*Assistant Examiner*—Mimosa De

(74) *Attorney, Agent, or Firm*—Burr & Brown

(57) **CLAIM**

The ornamental design for a seat for barber or beauty chair, as shown and described.

**DESCRIPTION**

FIG. 1 is a front view of a seat for barber or beauty chair in accordance with my new design;

FIG. 2 is a back view thereof;

FIG. 3 is a right side view thereof, the left side view being a mirror image thereof;

FIG. 4 is a top view thereof;

FIG. 5 is a bottom view thereof; and,

FIG. 6 is a perspective view thereof.

**1 Claim, 3 Drawing Sheets**

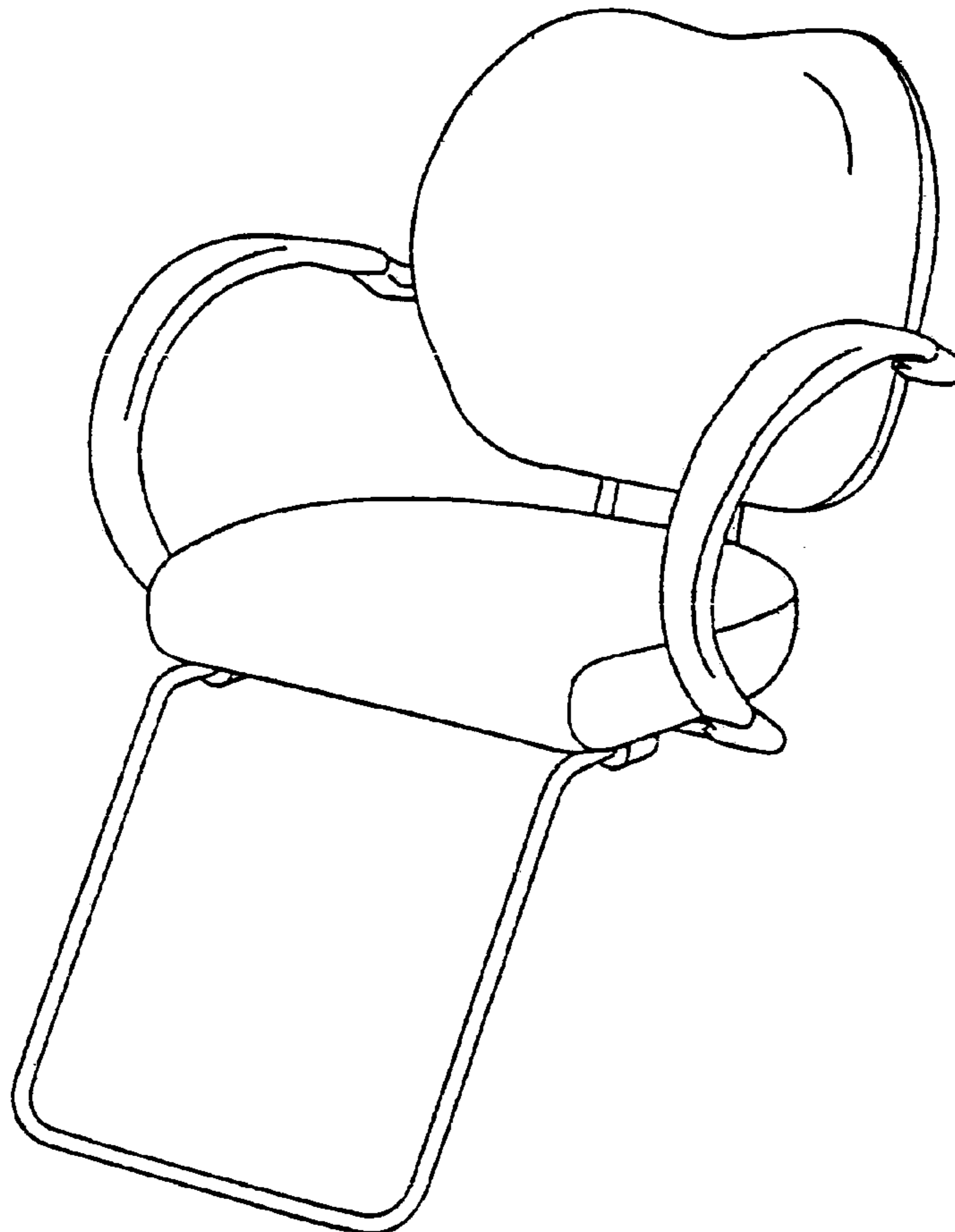


Fig.1

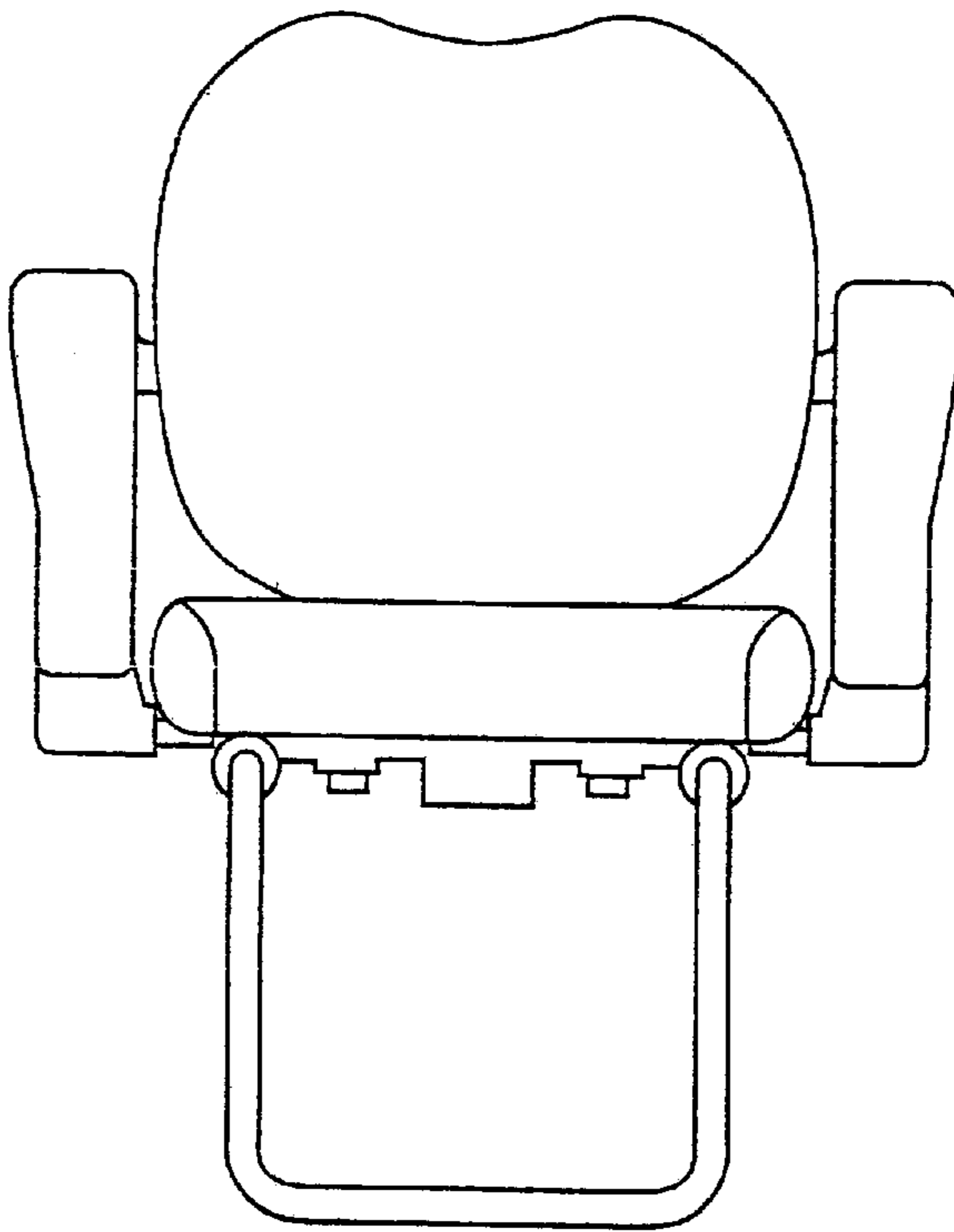


Fig.2

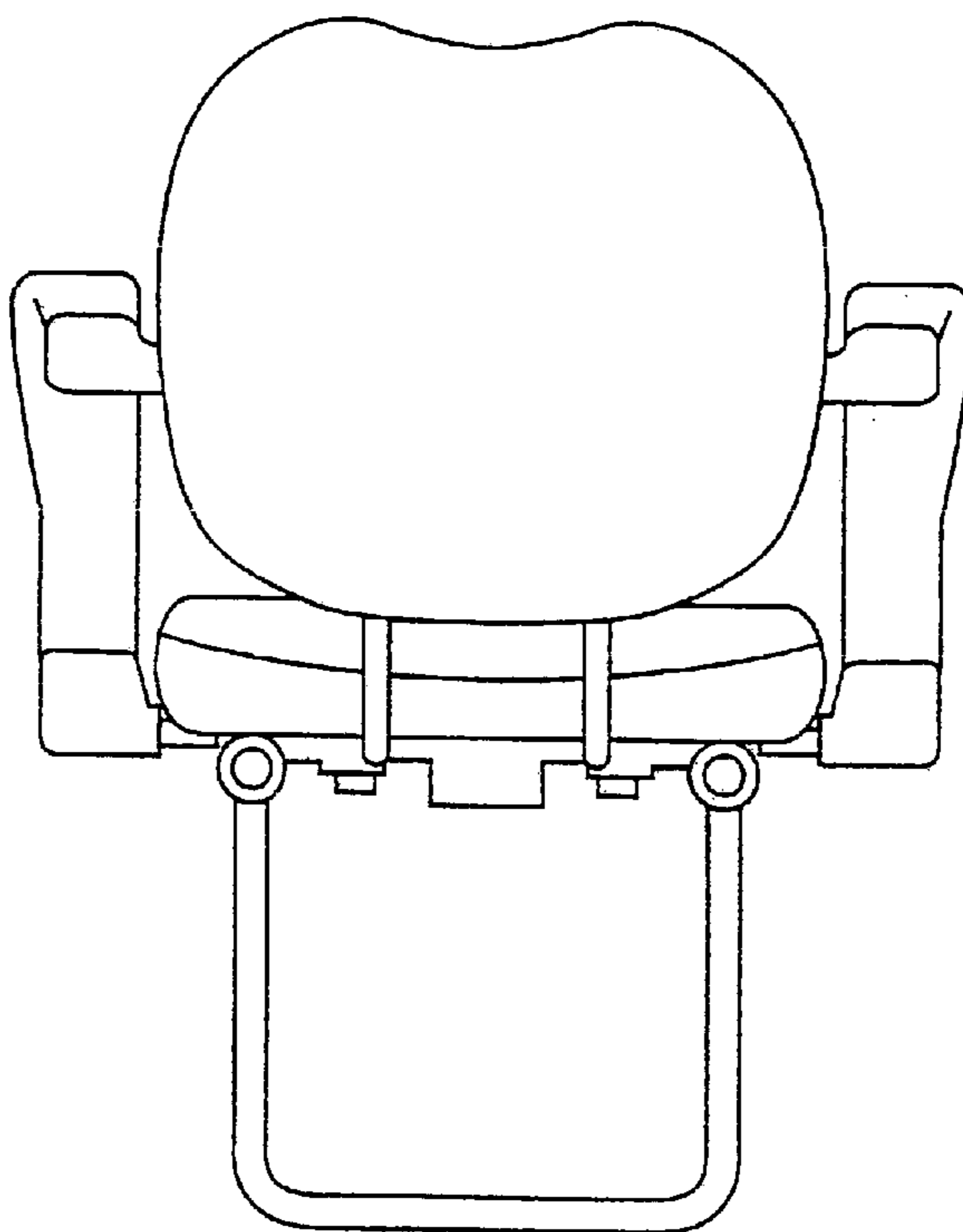


Fig.3

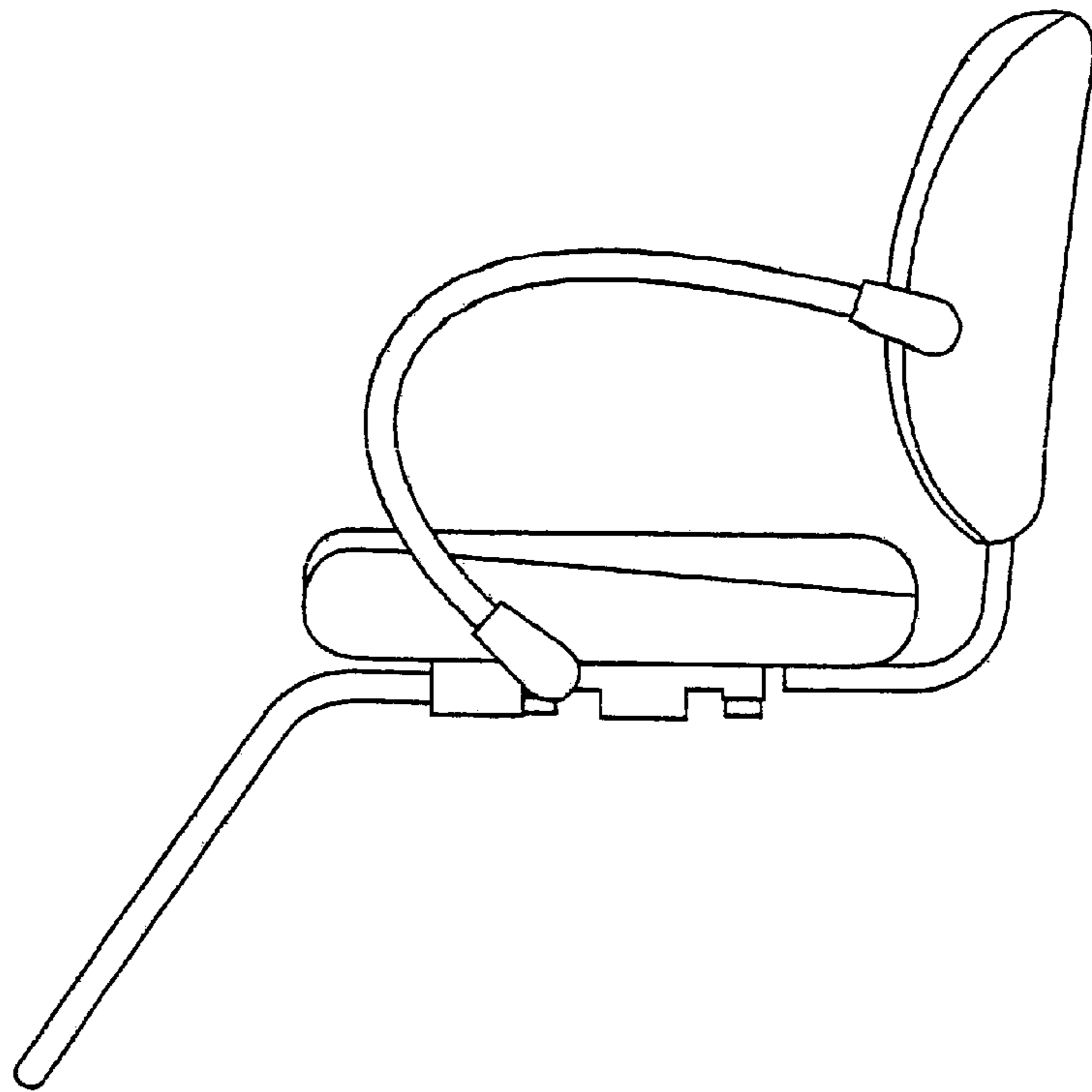


Fig.4

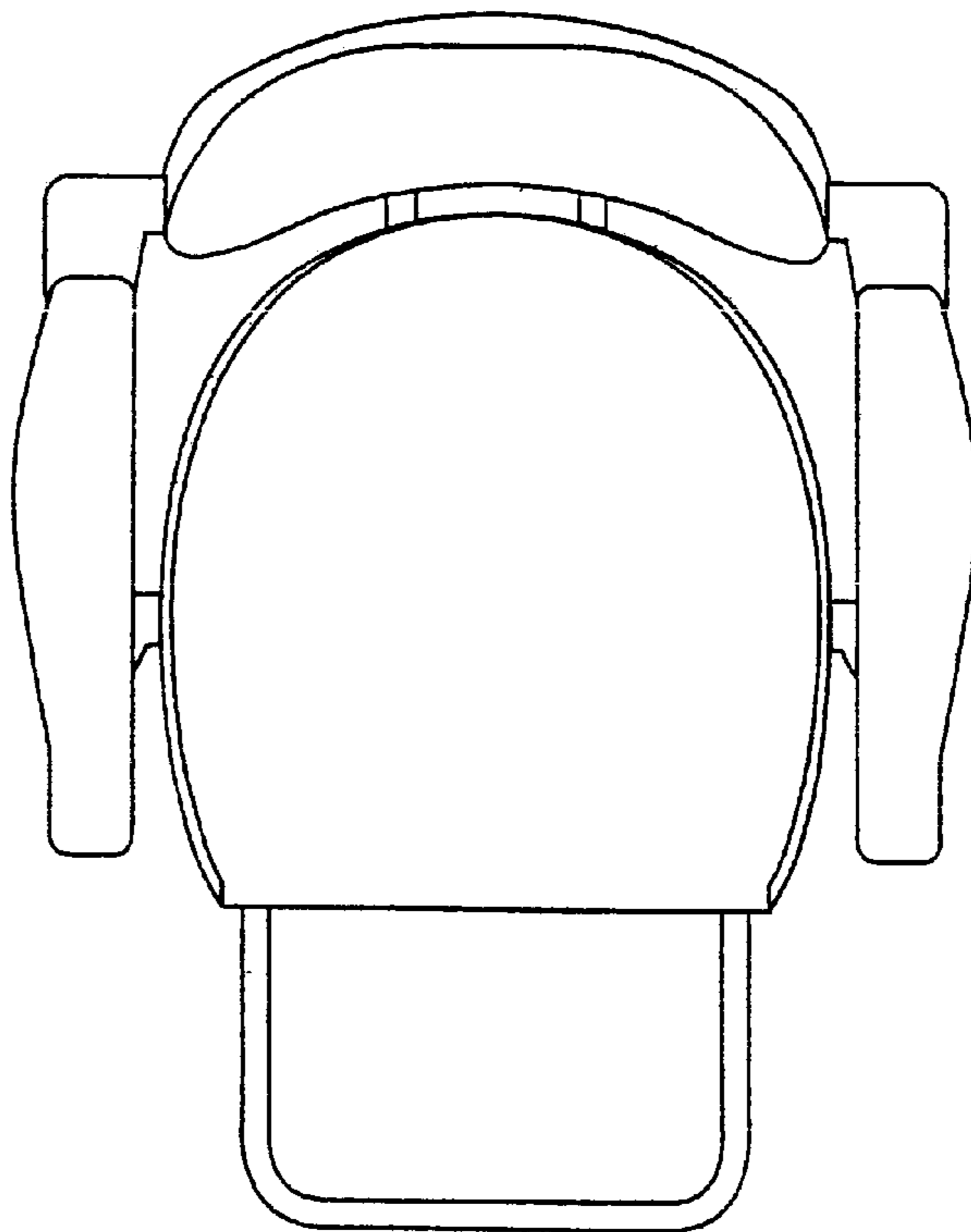


Fig.5

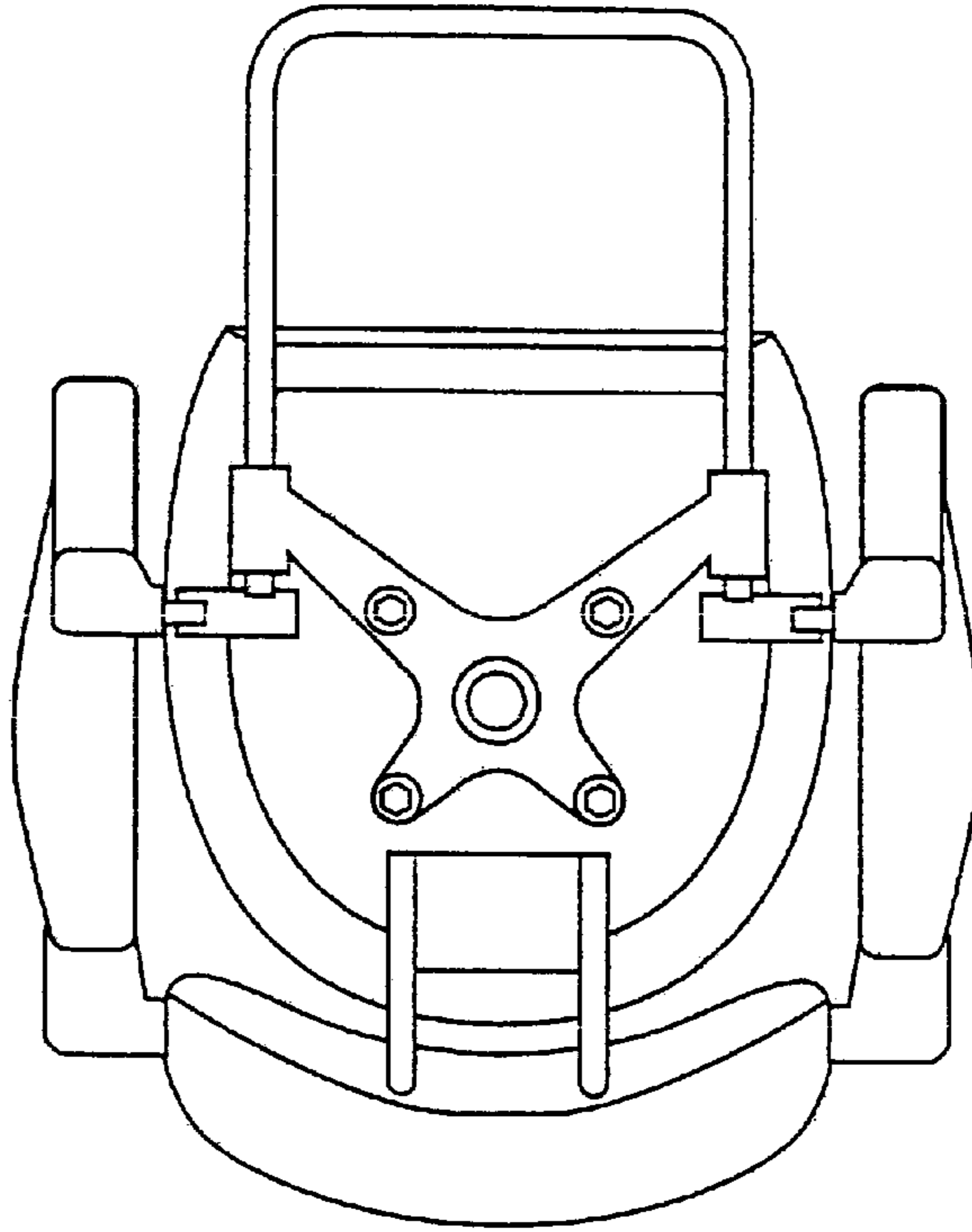


Fig.6

