



US00D454450S

(12) **United States Design Patent**
Chu

(10) **Patent No.:** **US D454,450 S**

(45) **Date of Patent:** **** Mar. 19, 2002**

(54) **CHAIR**

(75) Inventor: **Zoocy Chu**, Grand Rapids, MI (US)

(73) Assignee: **Global Total Office**, Downsview (CA)

(**) Term: **14 Years**

(21) Appl. No.: **29/125,116**

(22) Filed: **Jun. 19, 2000**

(51) **LOC (7) Cl.** **06-06**

(52) **U.S. Cl.** **D6/500; D6/366**

(58) **Field of Search** **D6/334, 335, 364, D6/365, 366, 367, 500, 501, 502; 297/411.2**

(56) **References Cited**

U.S. PATENT DOCUMENTS

D308,606 S	*	6/1990	Behringer	D6/366
D320,507 S	*	10/1991	Shields	D6/366
D376,924 S		12/1996	Beaulieu	D6/366
D378,170 S		2/1997	Beaulieu	D6/366
D378,714 S		4/1997	Beaulieu	D6/366
D390,384 S	*	2/1998	Schultz et al.	D6/500
D397,557 S		9/1998	Feldberg	D6/366
D401,076 S	*	11/1998	Crinion	D6/366
D401,771 S	*	12/1998	Goodworth et al.	D6/366
D411,395 S	*	6/1999	Edwards	D6/500
D418,685 S		1/2000	Kaczmarek	D6/366
D420,538 S	*	2/2000	Arko et al.	D6/500
D435,976 S	*	1/2001	Deacon	D6/366
D436,456 S	*	1/2001	Neil	D6/366
D437,132 S	*	2/2001	Nagamitsu	D6/366

FOREIGN PATENT DOCUMENTS

CA	65787	3/1990
CA	65786	7/1990
CA	70808	6/1992
CA	84097	6/1998

CA	84171	6/1998
CA	84893	10/1998
CA	84894	10/1998

* cited by examiner

Primary Examiner—Gary D. Watson

(74) *Attorney, Agent, or Firm*—Michael Best & Friedrich LLC

(57) **CLAIM**

The ornamental design for a chair, as shown and described.

DESCRIPTION

FIG. 1 is a perspective view from the front and to one side of the chair.

FIG. 2 is a front elevational view of the chair of FIG. 1.

FIG. 3 is a top plan view of the chair of FIG. 1.

FIG. 4 is a side elevational view of the chair of FIG. 1. The other side is a mirror image of this view.

FIG. 5 is a perspective view from the rear and to one side of the chair of FIG. 1.

FIG. 6 is a rear elevational view of the chair of FIG. 1.

FIG. 7 is a perspective view from the front and to one side of an alternate embodiment of the chair of FIG. 1. In this embodiment, the chair has an additional member positioned at the top of the backrest. The chair is otherwise the same as the chair shown in FIGS. 1–6.

FIG. 8 is a front elevational view of the chair of FIG. 7.

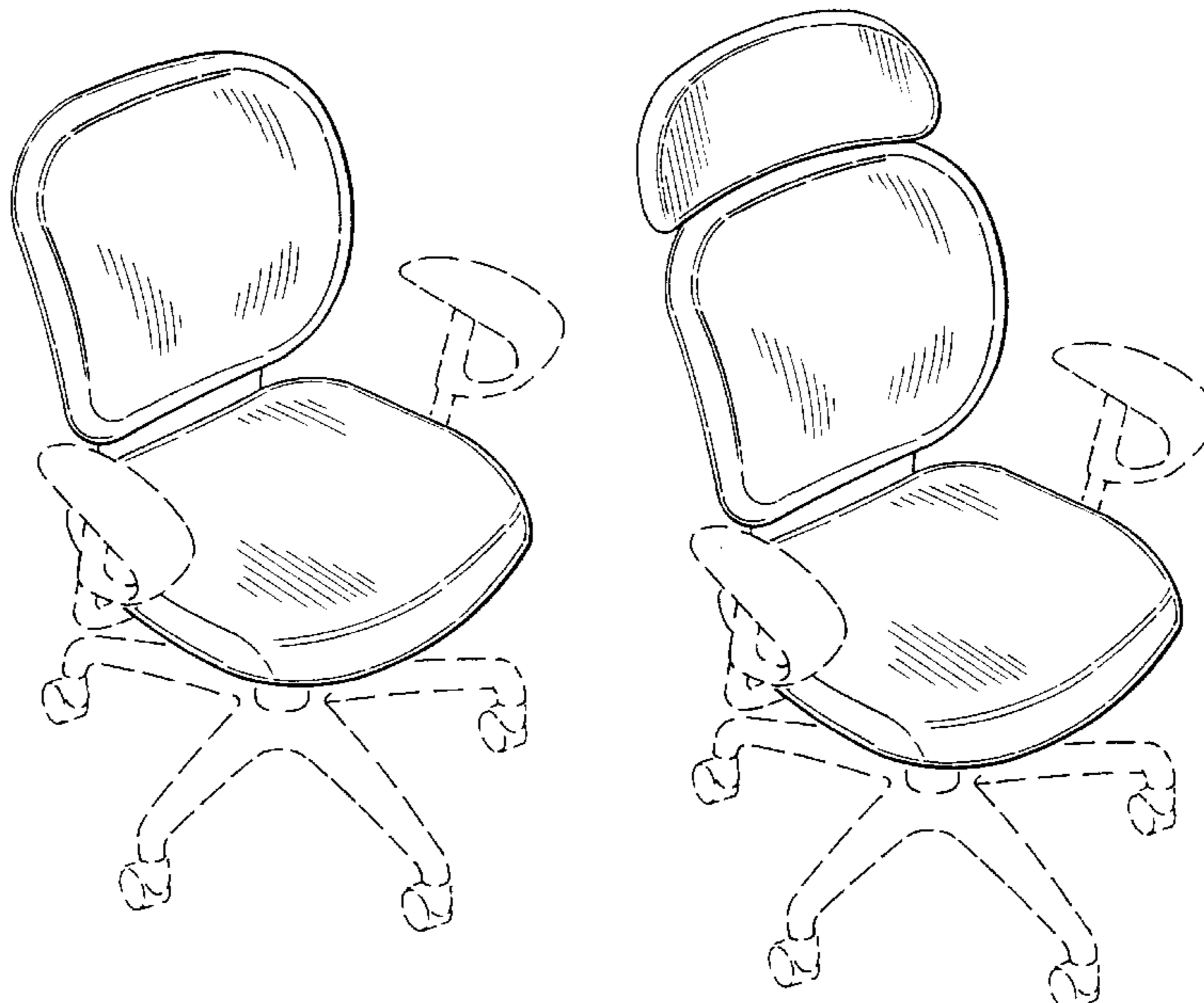
FIG. 9 is a top plan view of the chair of FIG. 7.

FIG. 10 is a side elevational view of the chair of FIG. 7. The other side is a mirror image of this view; and,

FIG. 11 is a rear elevational view of the chair of FIG. 7.

The broken lines showing the base, control mechanism and arms are for illustrative purposes only and form no part of the claimed design.

1 Claim, 6 Drawing Sheets



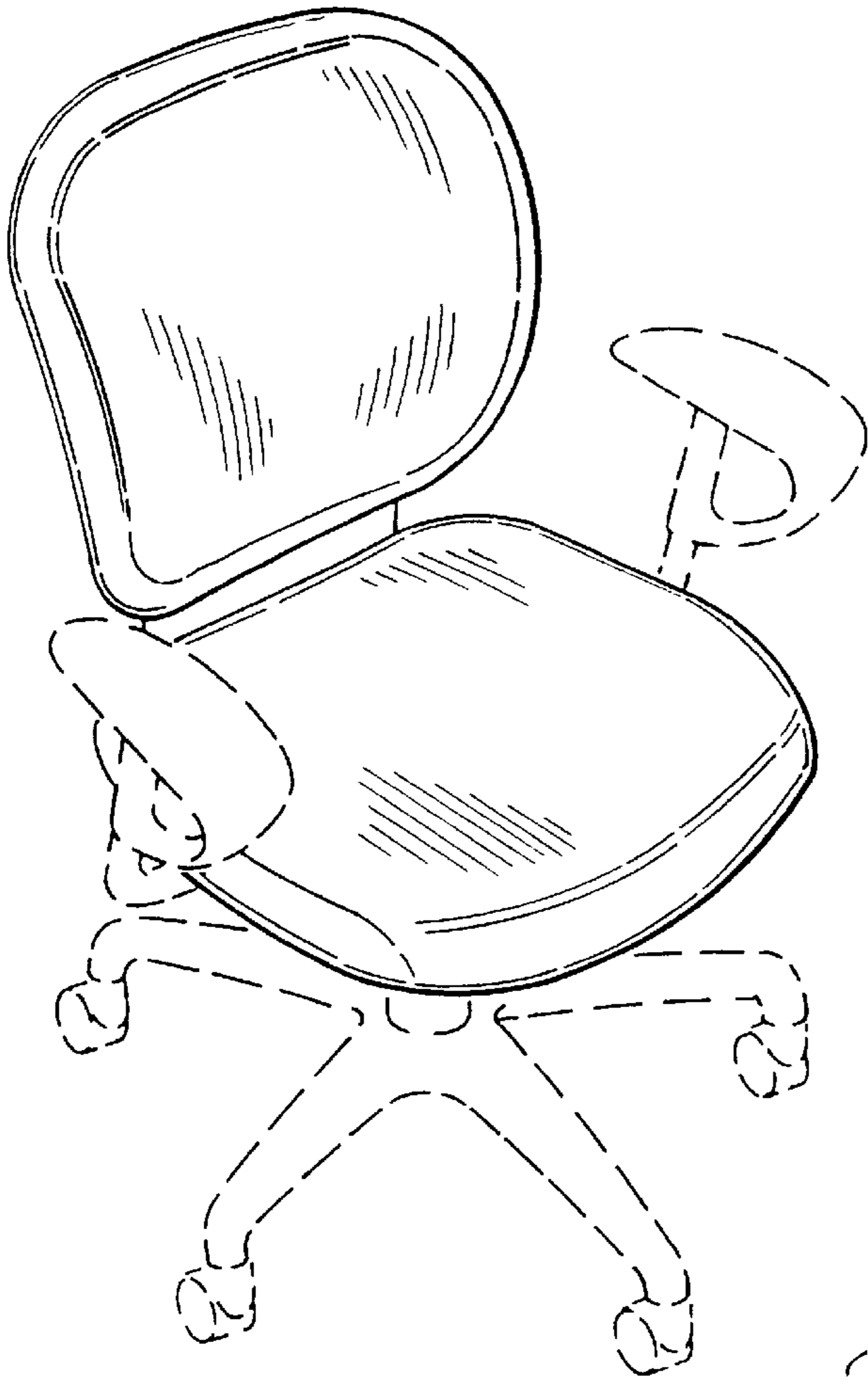


FIG. 1.

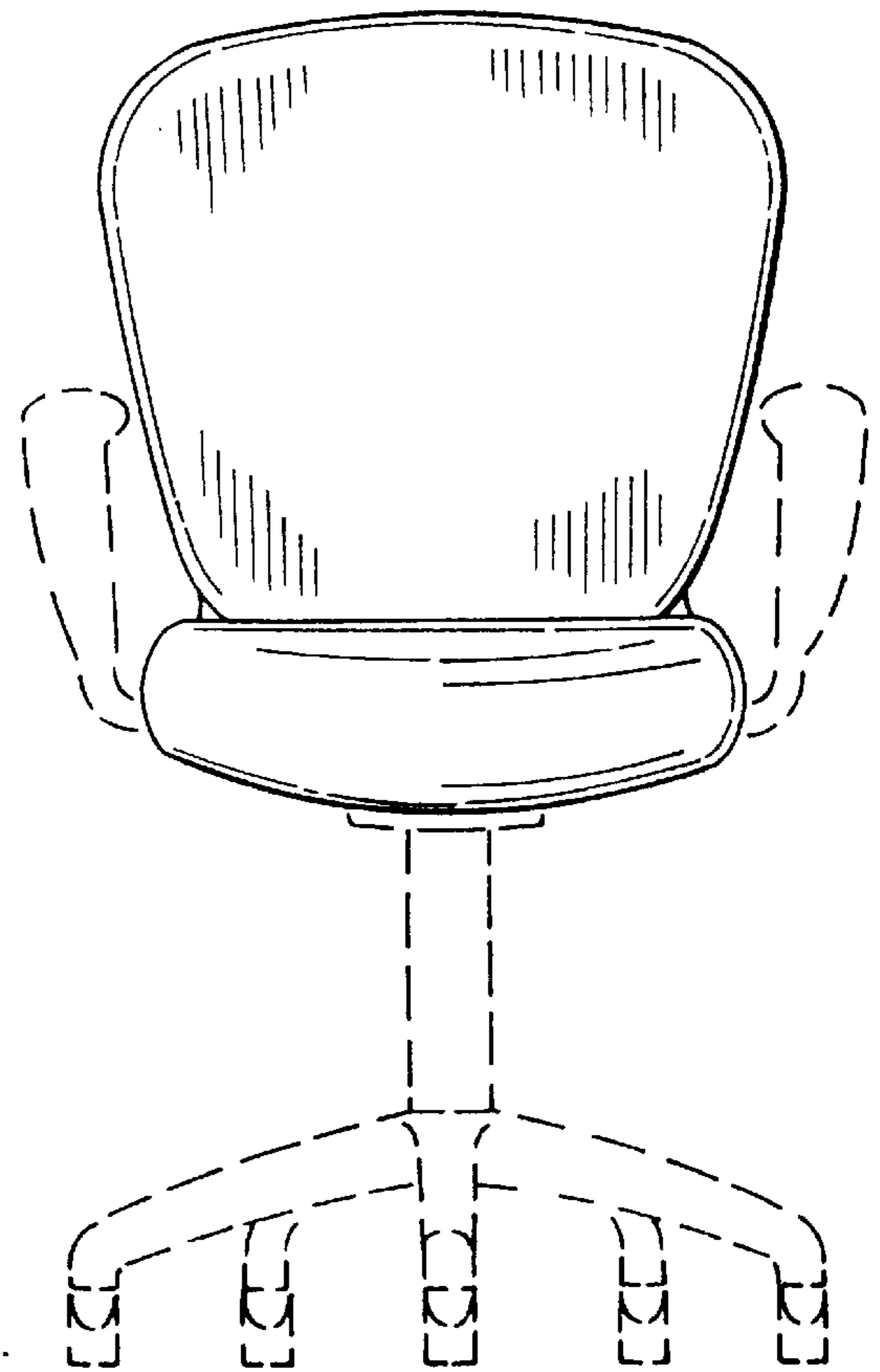


FIG. 2.

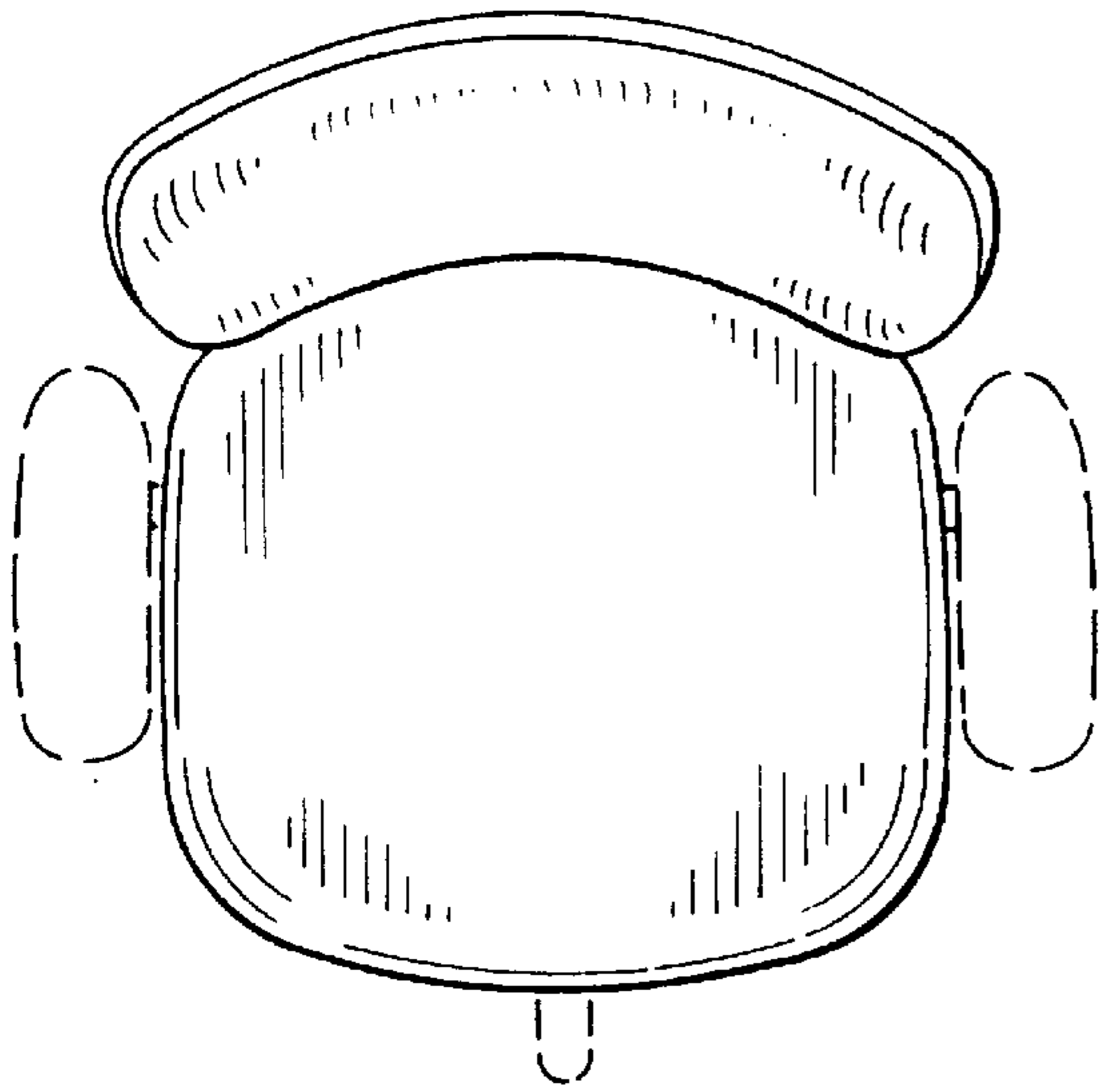


FIG. 3.

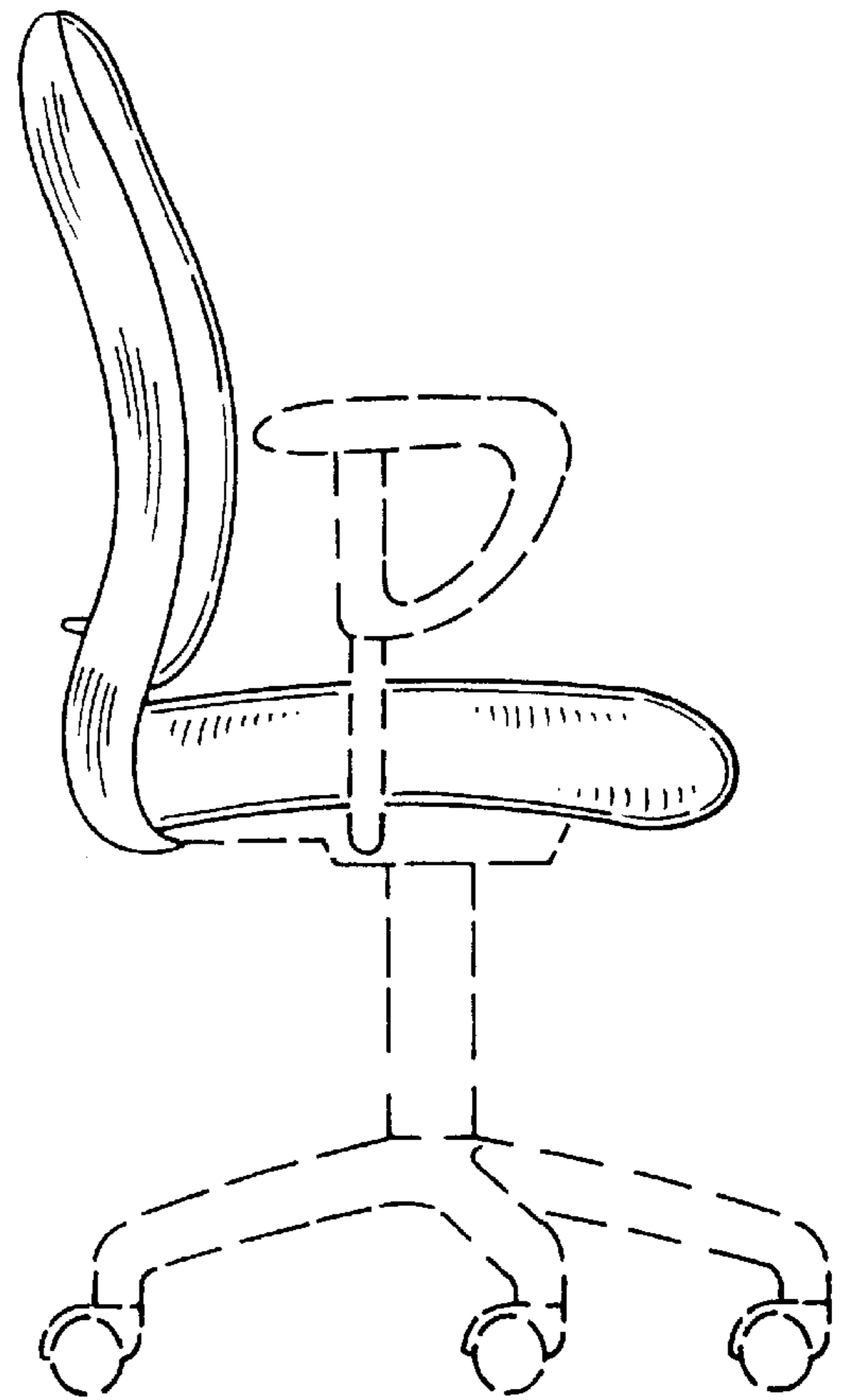


FIG. 4.

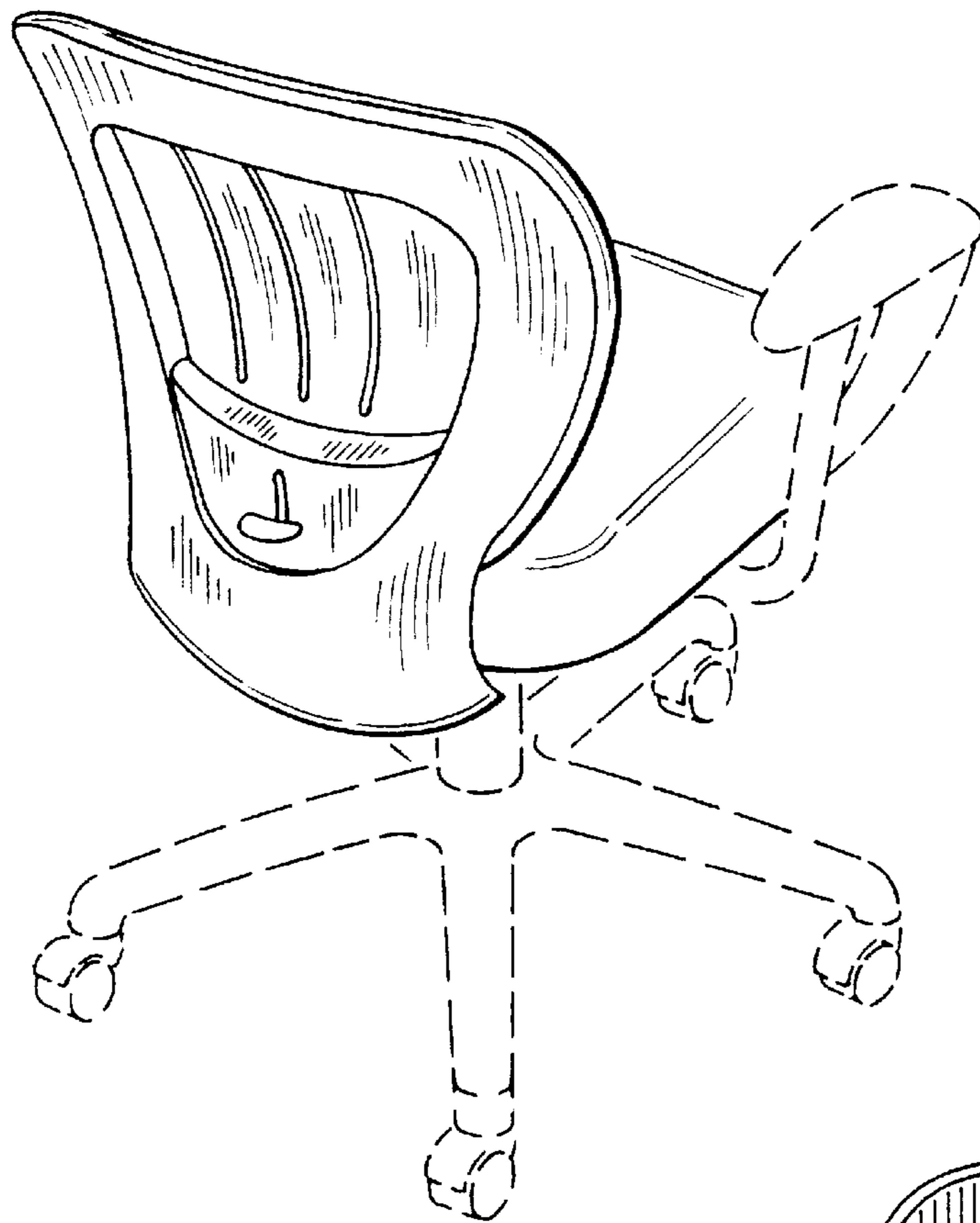


FIG. 5.

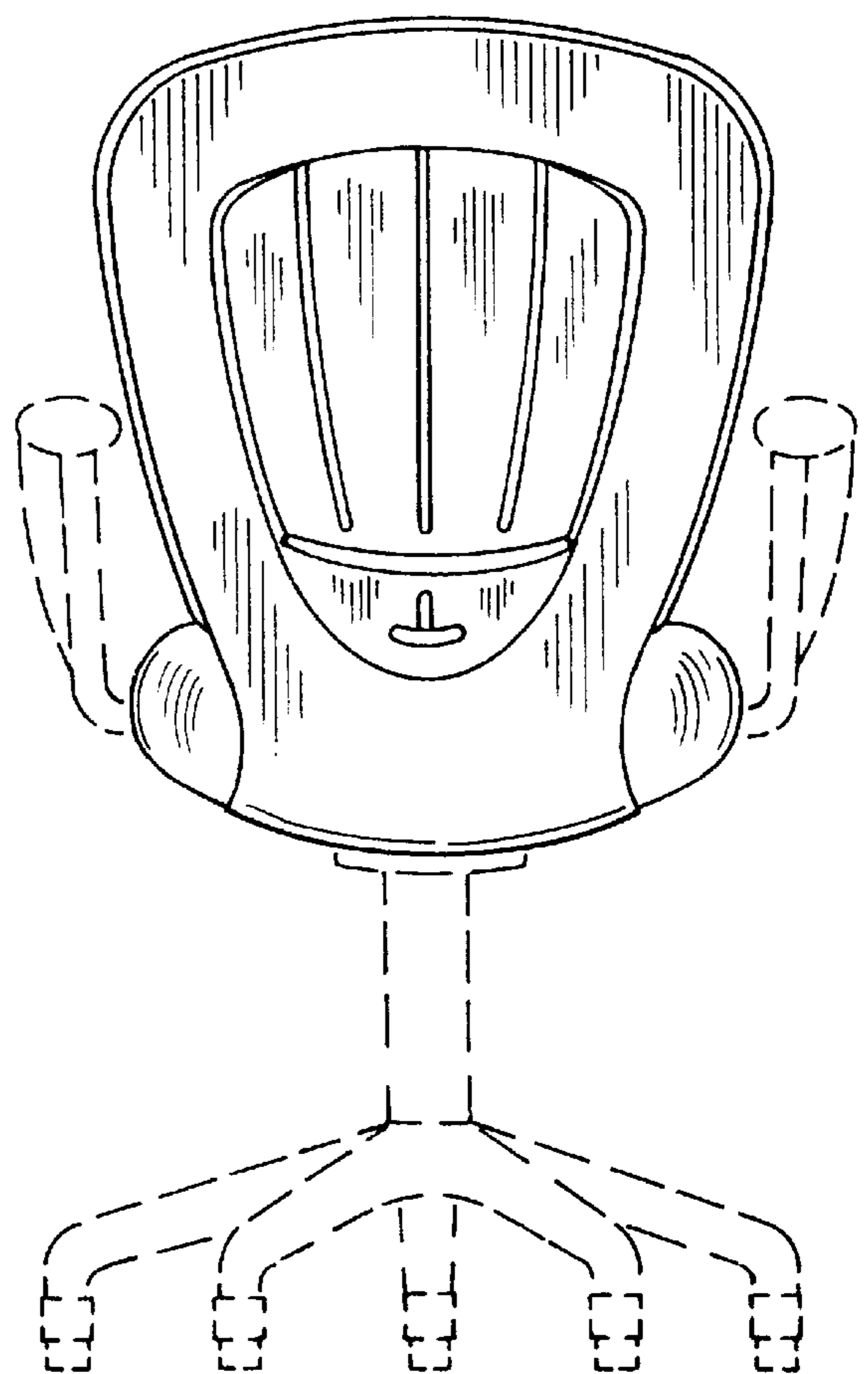


FIG. 6.

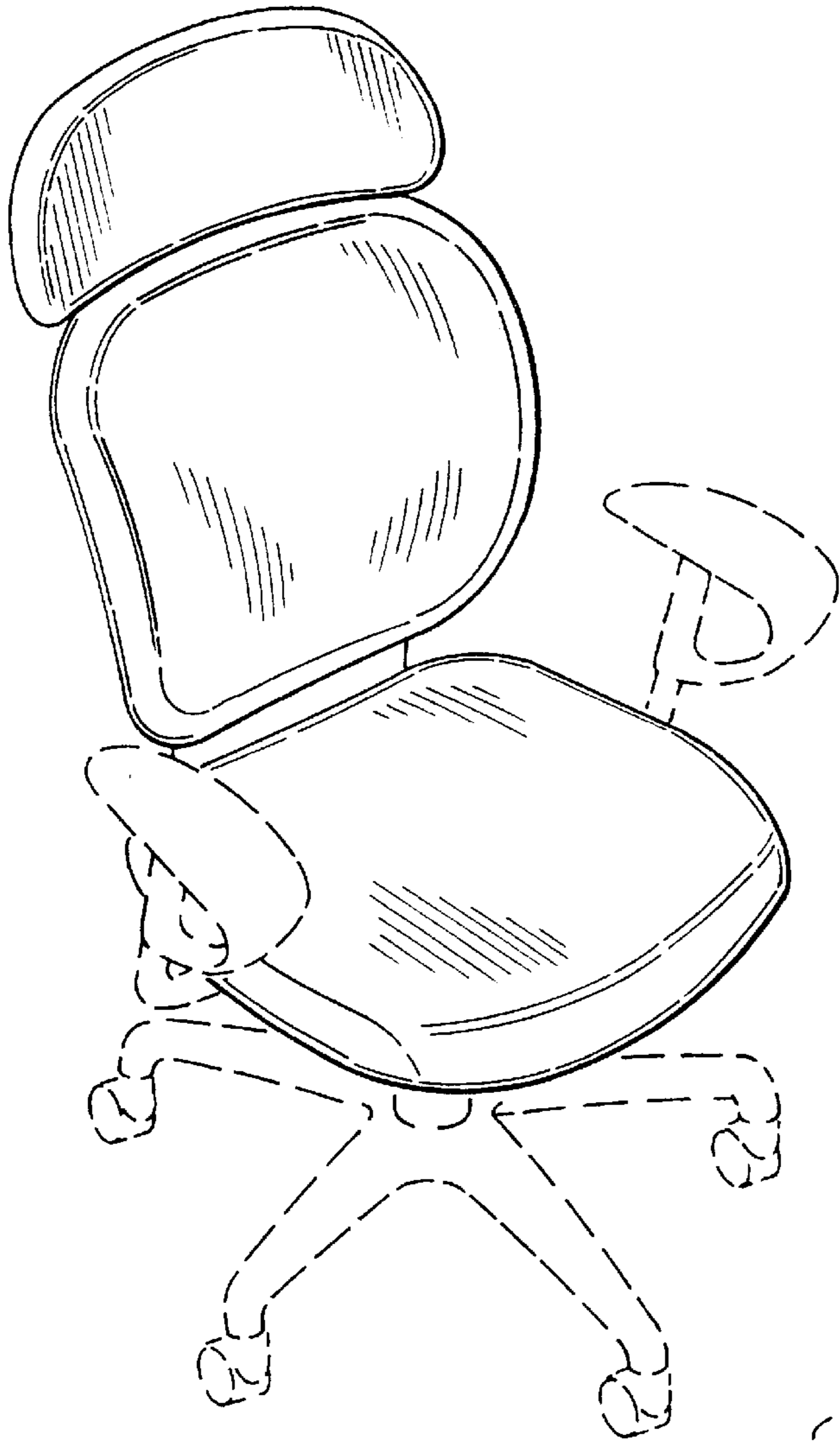


FIG. 7.

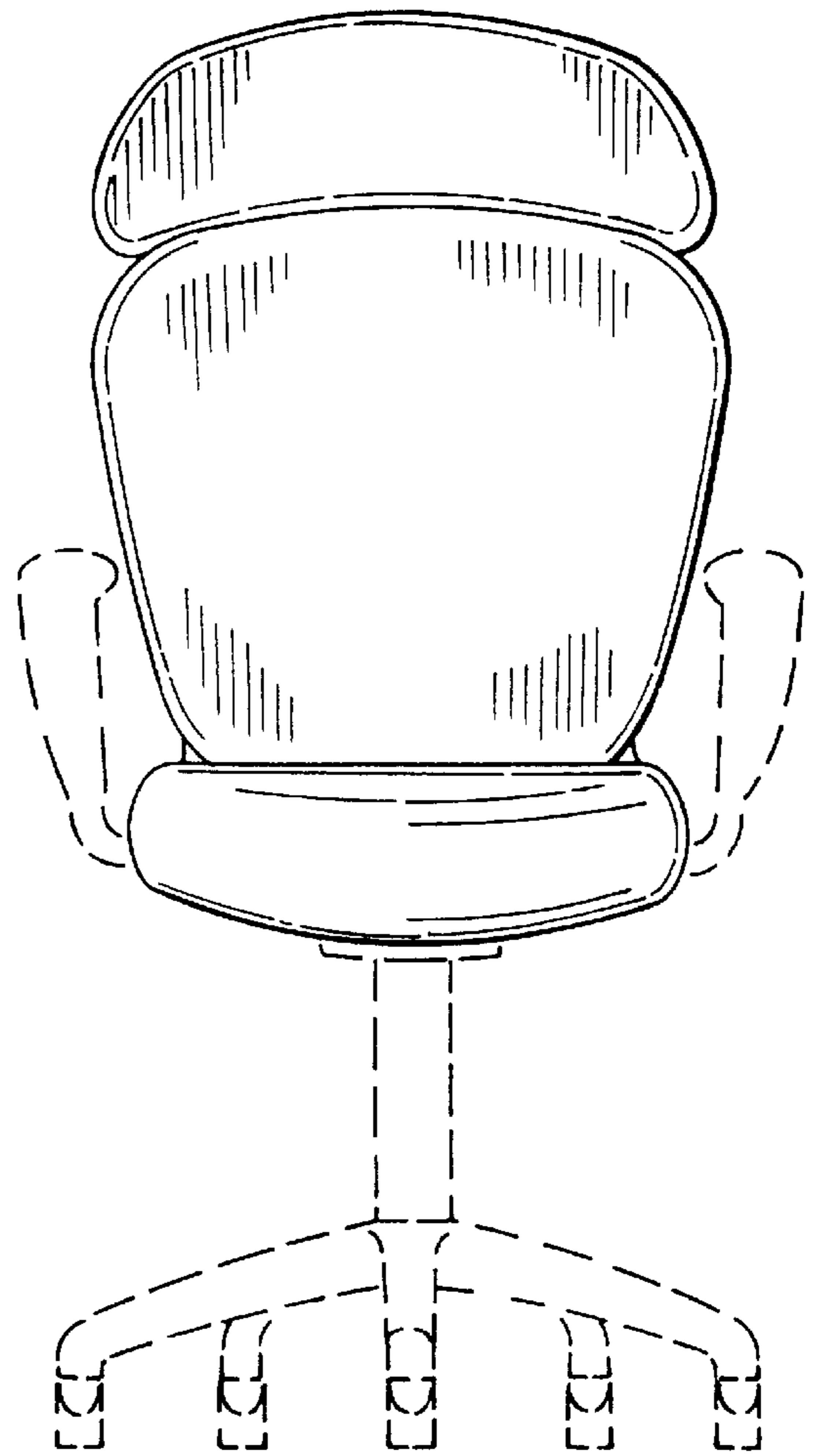


FIG. 8.

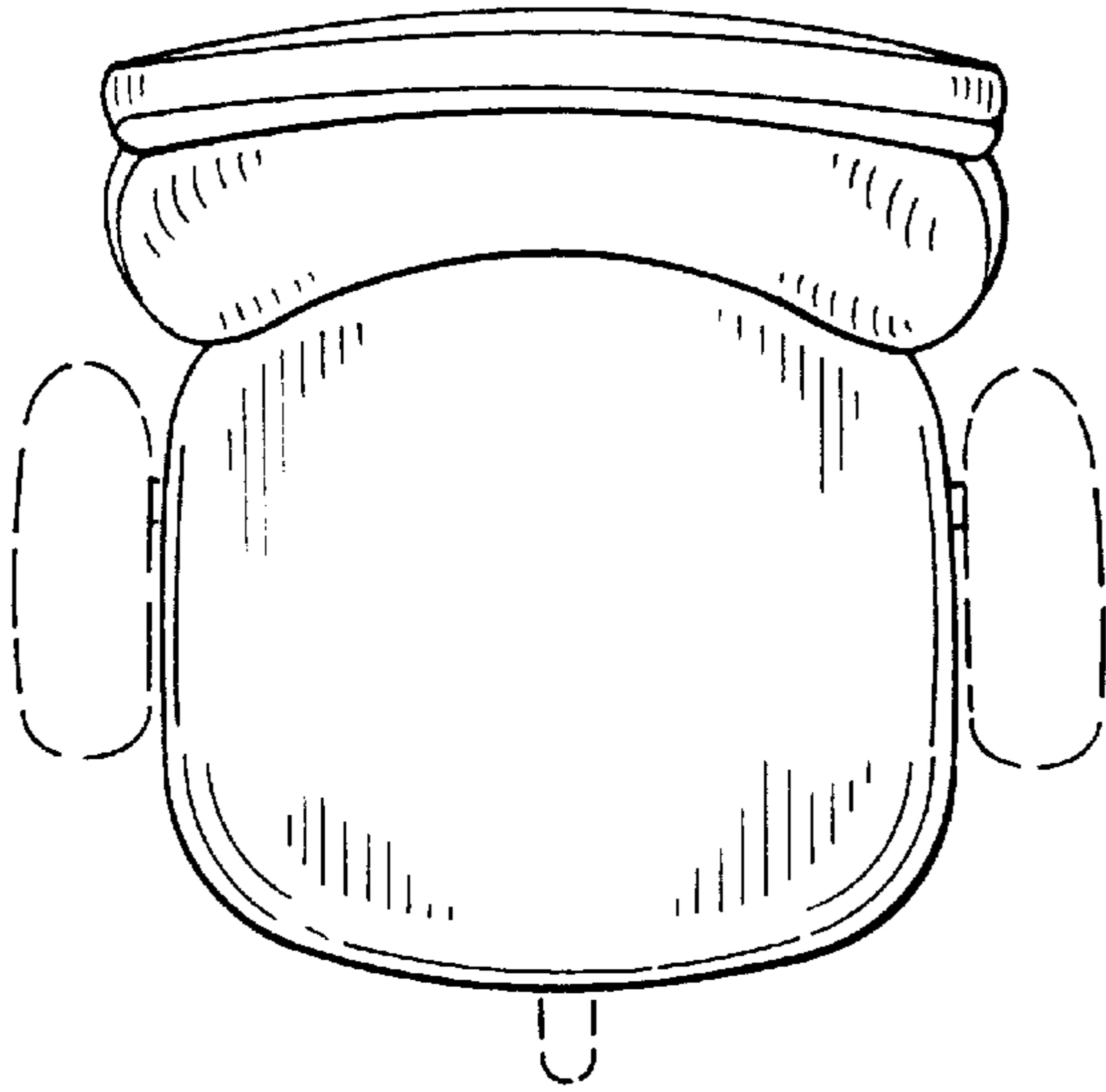


FIG. 9.

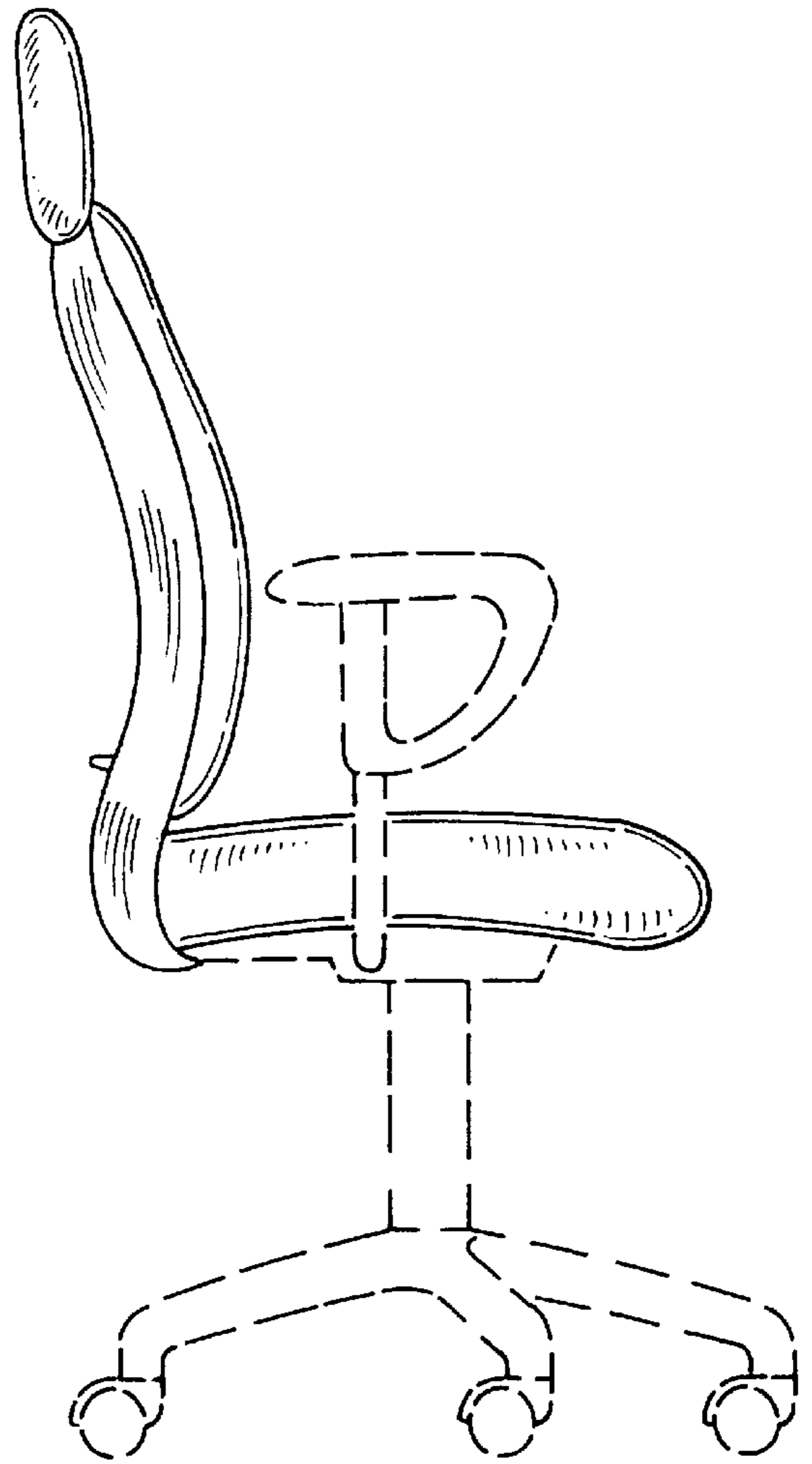


FIG. 10.

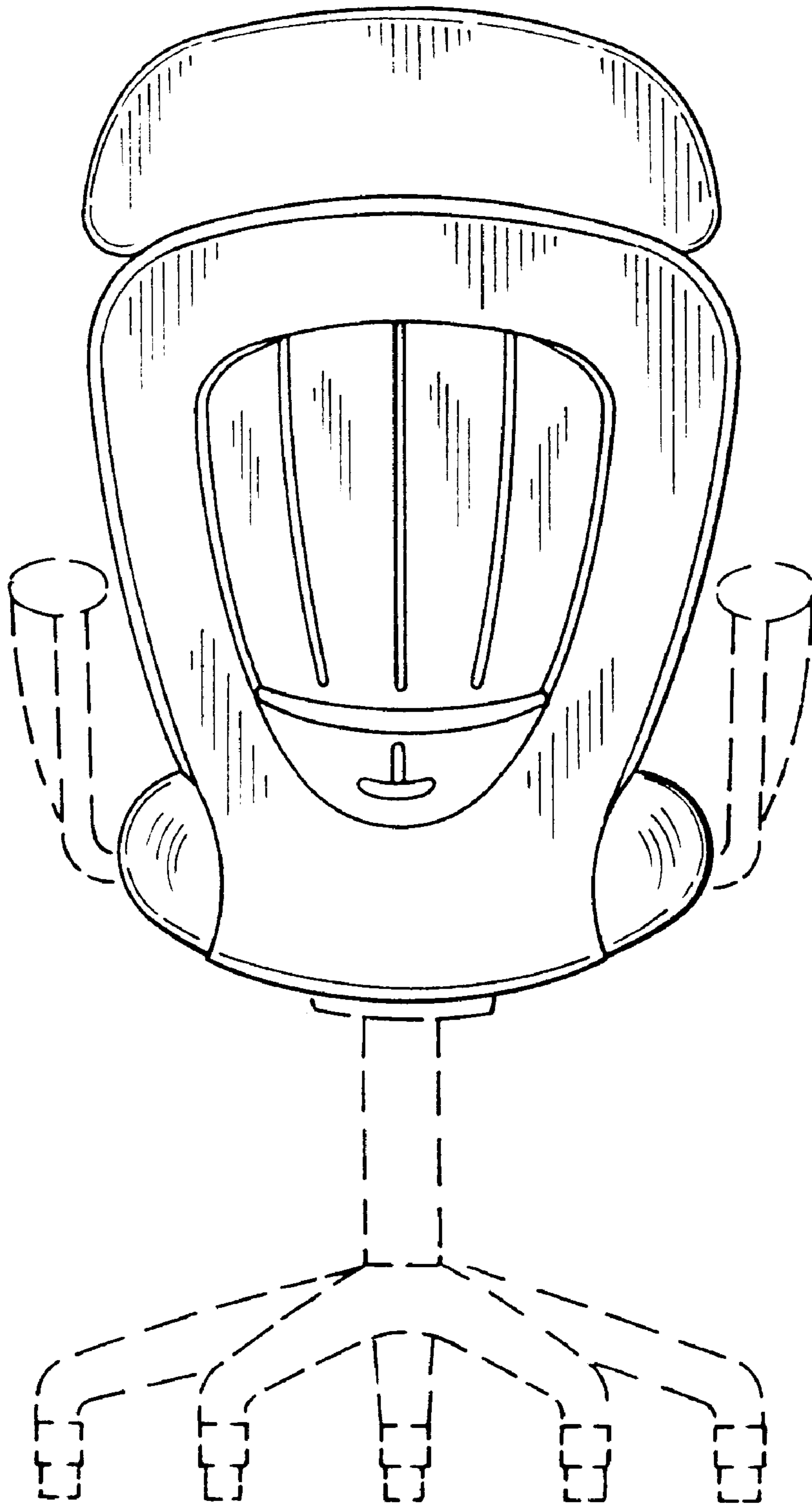


FIG. 11.